



US00D734957S

(12) **United States Design Patent**
Meeks

(10) **Patent No.:** **US D734,957 S**

(45) **Date of Patent:** **** Jul. 28, 2015**

(54) **PORTION OF A RACK FOR AN OBJECT
SUCH AS A GUN, BOW, OR TOOL**

4,995,537 A 2/1991 Thedieck
5,078,279 A 1/1992 Hancock et al.
5,078,309 A 1/1992 Hull et al.
5,249,722 A 10/1993 Horn
D345,273 S * 3/1994 Horn D6/552

(71) Applicant: **Paul Meeks**, Tallulah, LA (US)

(72) Inventor: **Paul Meeks**, Tallulah, LA (US)

(**) Term: **14 Years**

(21) Appl. No.: **29/485,190**

(22) Filed: **Mar. 17, 2014**

(51) **LOC (10) Cl.** **08-08**

(52) **U.S. Cl.**
USPC **D6/552**

(58) **Field of Classification Search**
USPC D6/552; D21/573; 248/96; 211/13.1,
211/64; 224/483, 539, 566, 568, 571;
280/13, 652; D8/330-331

See application file for complete search history.

(56) **References Cited**

U.S. PATENT DOCUMENTS

2,535,564 A	12/1950	Campbell
2,797,033 A	6/1957	Rasbach
2,823,808 A	2/1958	Ednen
2,982,579 A	5/1961	Greenwald
2,998,279 A	8/1961	Henry
3,167,182 A	1/1965	Calvin
3,252,637 A	5/1966	Hart
3,261,521 A	7/1966	Meccico et al.
3,282,484 A	11/1966	Jerore
3,294,247 A	12/1966	Norrington
3,618,785 A	11/1971	Newman
3,643,811 A	2/1972	Howerton
4,058,221 A	11/1977	Elkins et al.
4,682,720 A	7/1987	Lucas
4,696,405 A	9/1987	Waring
4,776,471 A	10/1988	Elkins
4,986,427 A	1/1991	Law et al.
4,991,723 A	2/1991	Elkins

(Continued)
OTHER PUBLICATIONS

Great Day Inc., Products Catalog 2007, pp. 5, 12, 14 and 15.
(Continued)

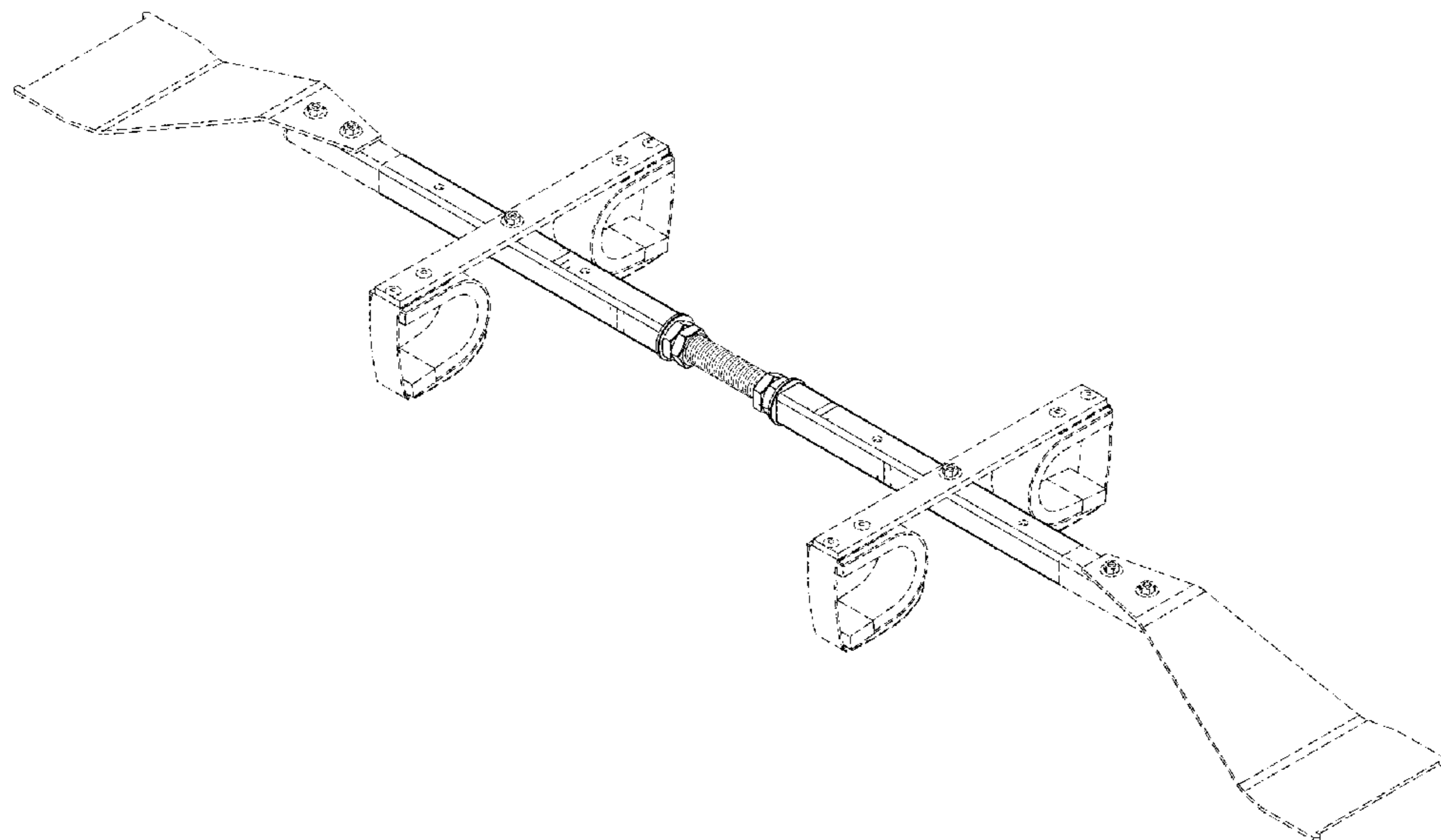
Primary Examiner — Brian N Vinson
(74) *Attorney, Agent, or Firm* — Haynes and Boone, LLP

(57) **CLAIM**
The ornamental design for a portion of a rack for an object such as a gun, bow, or tool, as shown and described.

DESCRIPTION

FIG. 1 is a perspective view of a portion of a rack for an object such as a gun, bow, or tool showing my new design according to a first embodiment;
FIG. 2 is a front elevational view of the first embodiment;
FIG. 3 is a rear elevational view of the first embodiment;
FIG. 4 is a right side elevational view of the first embodiment;
FIG. 5 is a left side elevational view of the first embodiment;
FIG. 6 is a top plan view of the first embodiment;
FIG. 7 is a bottom plan view of the first embodiment; and,
FIG. 8 is a front elevational view of a portion of a rack for an object such as a gun, bow, or tool showing my new design according to a second embodiment, the second embodiment being identical to the first embodiment except that no portion of the article between the break lines forms any part of the claimed design.
The broken lines in FIGS. 1-8 form no part of the claimed design.

1 Claim, 4 Drawing Sheets



(56)

References Cited

U.S. PATENT DOCUMENTS

5,344,032 A 9/1994 Ramsdell
5,524,772 A 6/1996 Simmons
5,595,333 A 1/1997 Boston
5,676,257 A 10/1997 Adkins
5,697,181 A 12/1997 Savant
5,816,546 A 10/1998 Miller
5,878,929 A 3/1999 Leonard
5,887,730 A 3/1999 St. George
5,934,112 A 8/1999 Rice et al.
6,279,799 B1 8/2001 Horton
6,302,052 B1 10/2001 Sauerwein
6,360,931 B1 3/2002 Morford
6,450,378 B1 9/2002 Miller
6,540,092 B2 4/2003 Sirois

6,742,687 B2 6/2004 Morford
6,837,934 B1 1/2005 Patrykus
6,843,395 B1 1/2005 Martin et al.
D533,743 S 12/2006 Eastman
D551,005 S 9/2007 Walterscheid
D571,636 S 6/2008 Phillips et al.
D624,342 S 9/2010 Coneal
D661,150 S 6/2012 Cardenas
D687,247 S * 8/2013 Meeks D6/552
2006/0113341 A1 6/2006 Murray et al.
2009/0159540 A1 6/2009 Meeks

OTHER PUBLICATIONS

Office Action mailed Mar. 9, 2010, regarding U.S. Appl. No. 11/963,224.

* cited by examiner

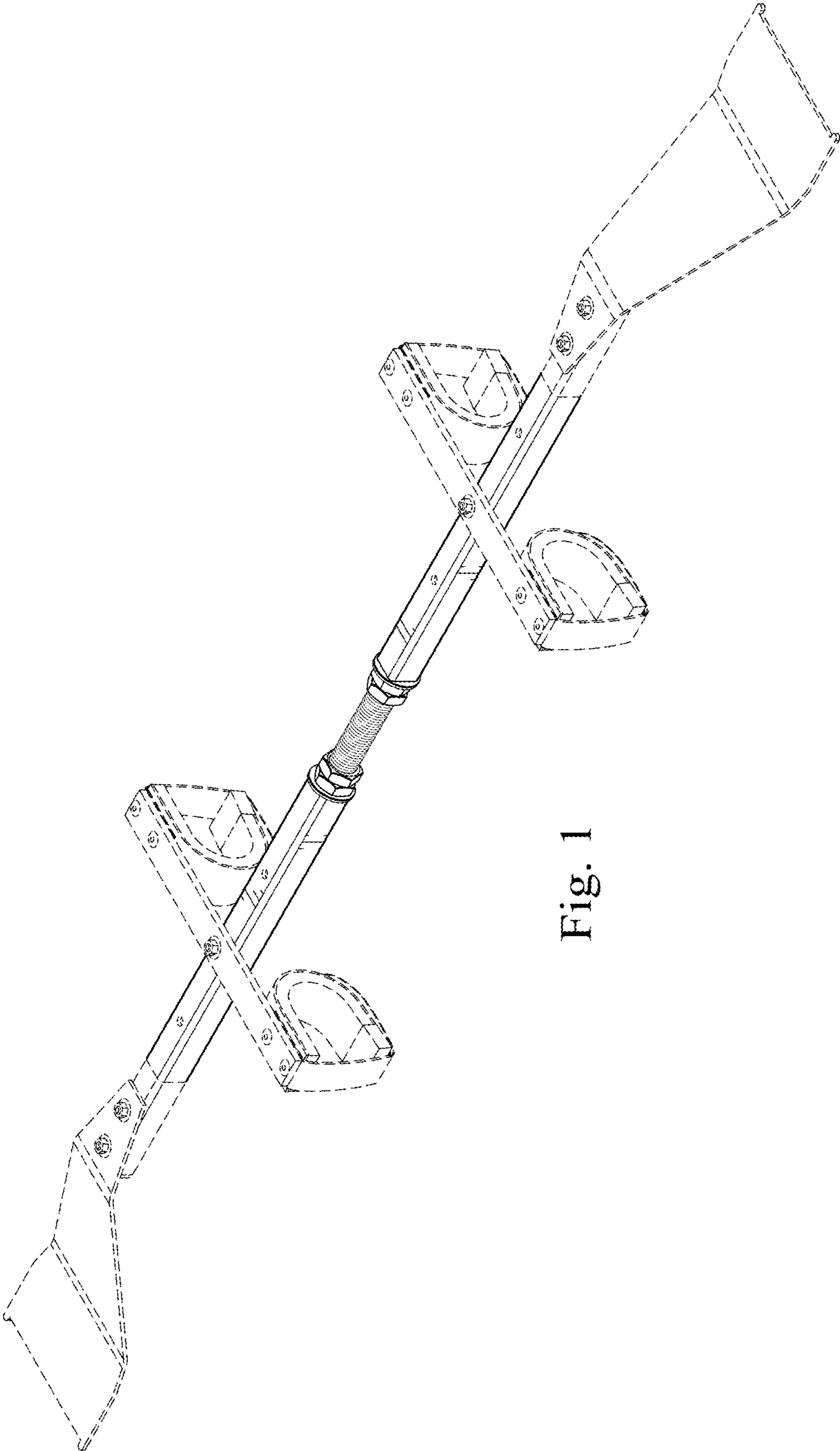


Fig. 1

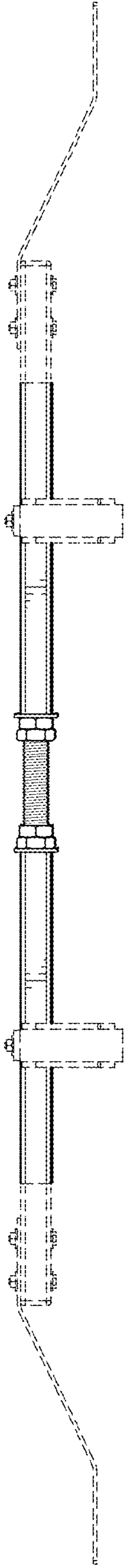


Fig. 2

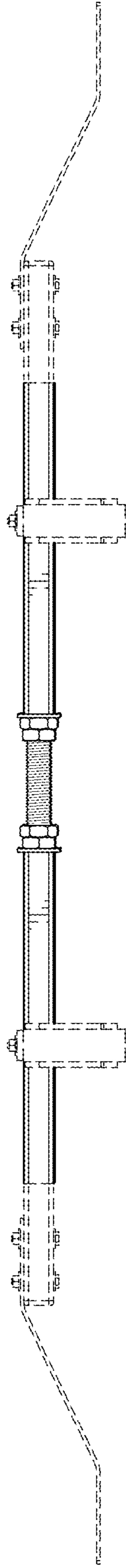


Fig. 3

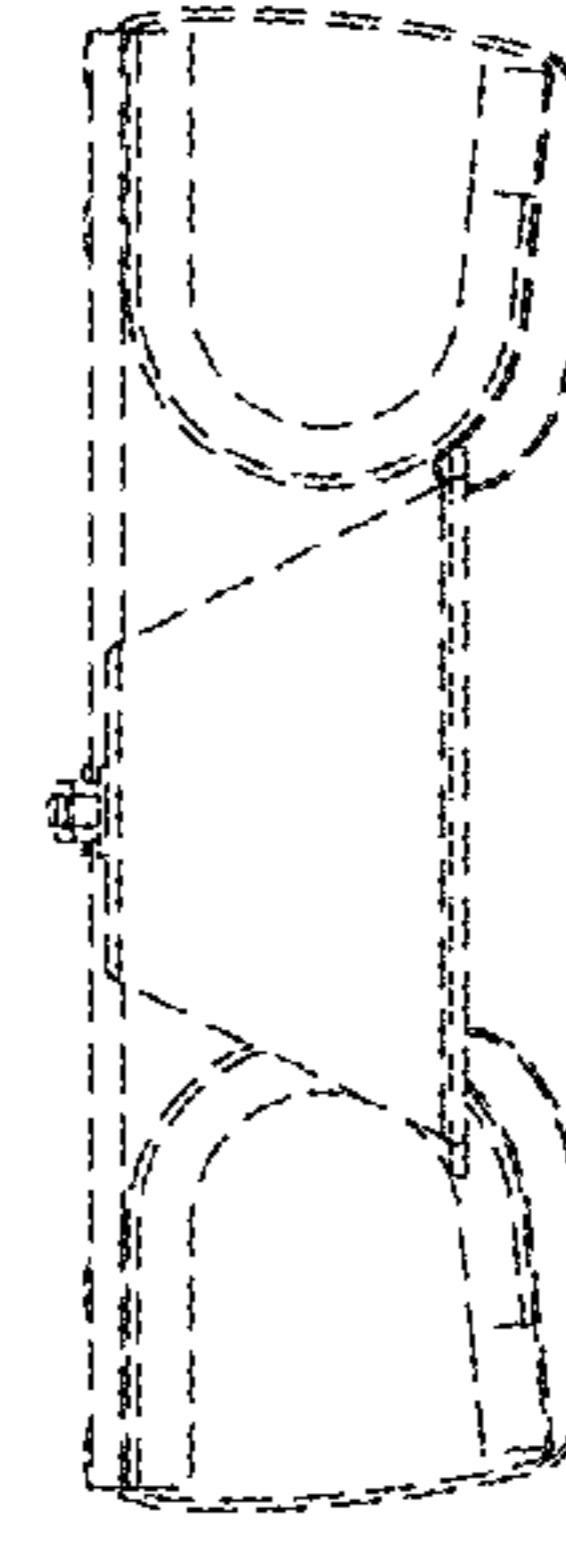


Fig. 4

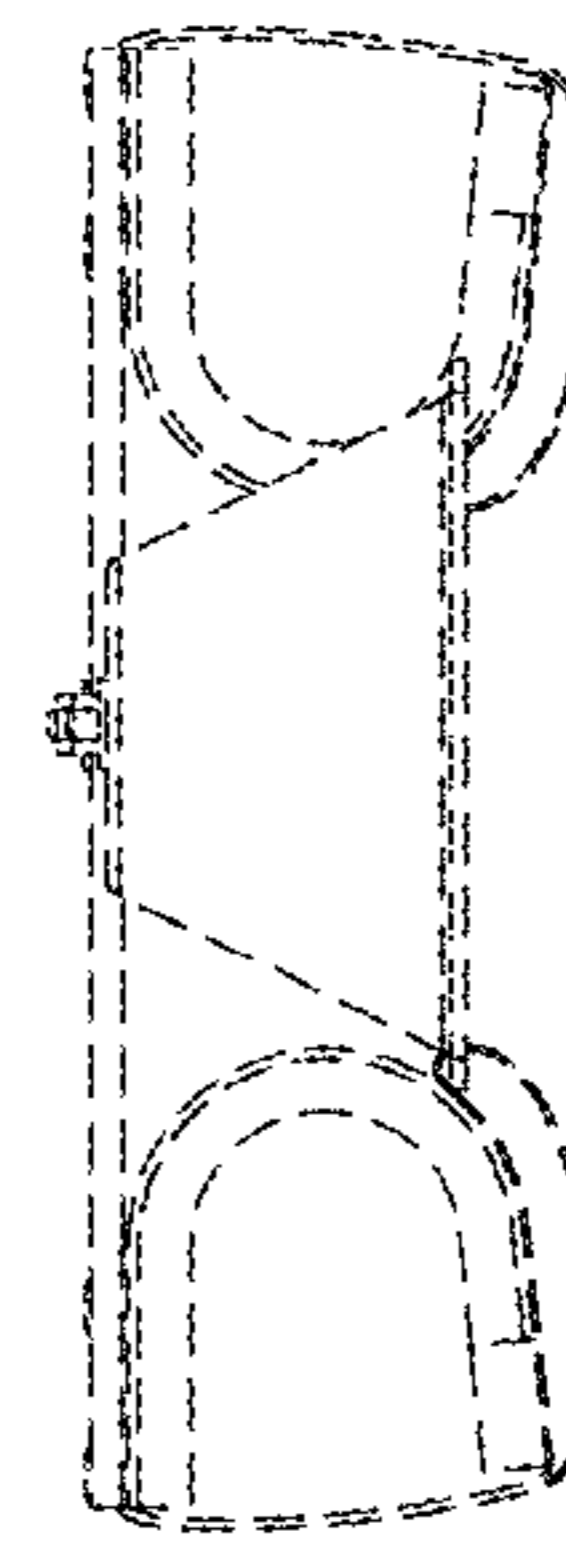


Fig. 5

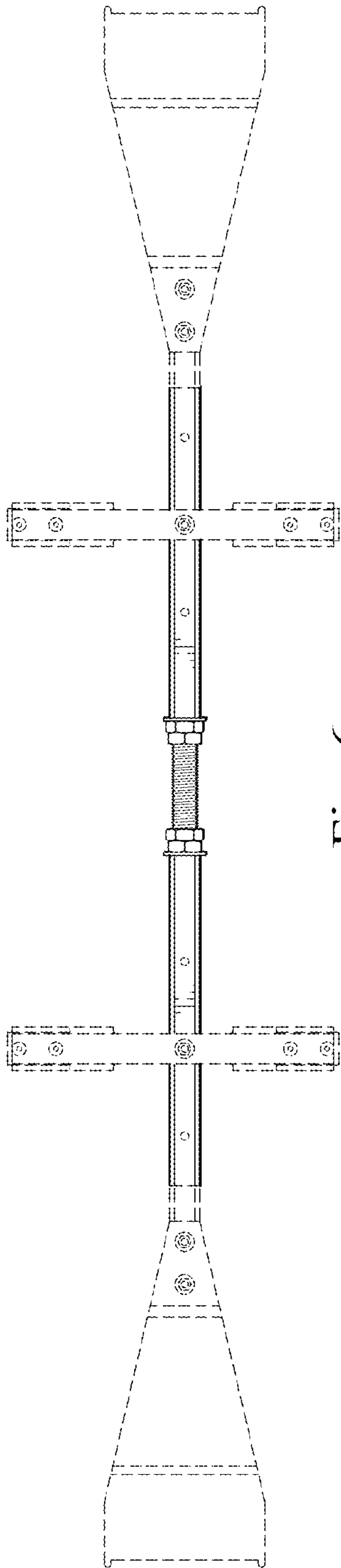


Fig. 6

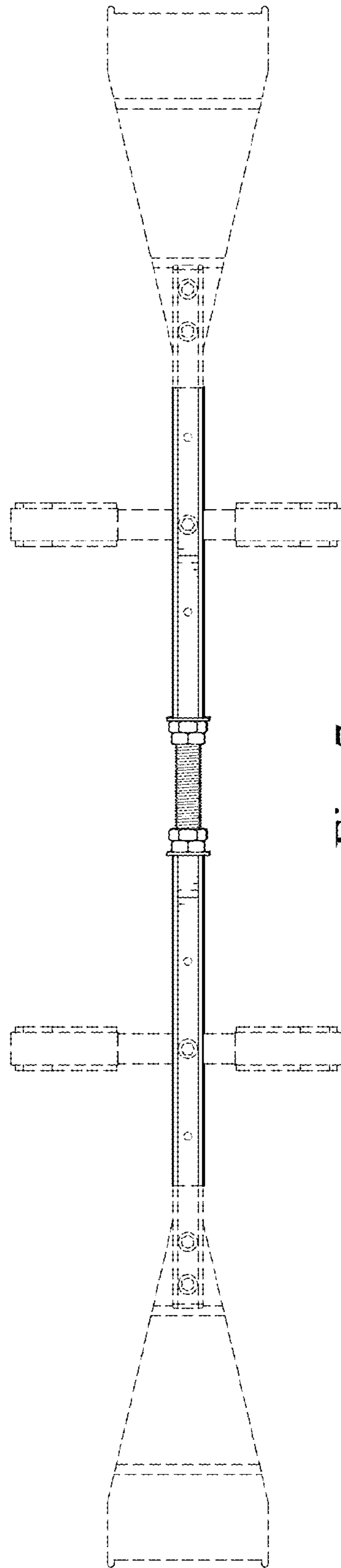


Fig. 7

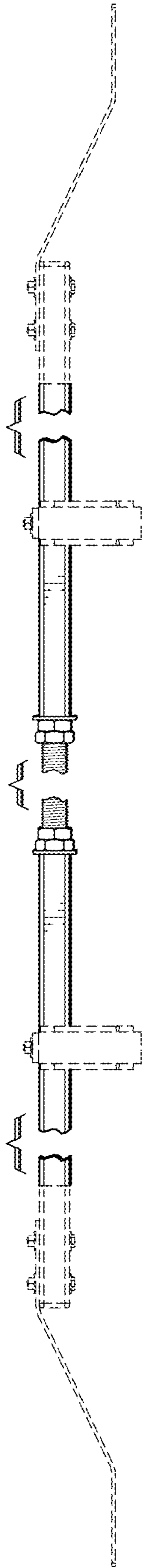


Fig. 8