

US00D734956S

(12) **United States Design Patent**
Yang et al.

(10) **Patent No.:** **US D734,956 S**
(45) **Date of Patent:** **** Jul. 28, 2015**

(54) **SHELVING SYSTEM**

FOREIGN PATENT DOCUMENTS

(71) Applicant: **simplehuman, LLC**, Torrance, CA (US)

CA 132180 7/2010
CA 135666 3/2011

(72) Inventors: **Frank Yang**, Rancho Palos Verdes, CA (US); **Di-Fong Chang**, Torrance, CA (US); **Myk Lum**, Irvine, CA (US); **Adam Wade**, Rancho Santa Margarita, CA (US); **Daniel Ballou**, Long Beach, CA (US)

(Continued)

OTHER PUBLICATIONS

U.S. Appl. No. 29/357,566, filed Mar. 12, 2010, Yang et al.
(Continued)

(73) Assignee: **simplehuman, LLC**, Torrance, CA (US)

Primary Examiner — Brian N Vinson

(**) Term: **14 Years**

(74) *Attorney, Agent, or Firm* — Knobbe, Martens, Olson & Bear, LLP

(21) Appl. No.: **29/484,885**

(57) **CLAIM**

The ornamental design for a shelving system, as shown and described.

(22) Filed: **Mar. 13, 2014**

(51) **LOC (10) Cl.** **23-02**

(52) **U.S. Cl.**

USPC **D6/525**

(58) **Field of Classification Search**

USPC D6/524, 525, 566, 536, 540; 211/13.1, 211/74, 71.01, 86.01, 75, 88.01, 90.01, 211/90.03, 106, 119, 126.1, 133.5, 181.1, 211/134

See application file for complete search history.

DESCRIPTION

FIG. 1 is a top, rear, left-side perspective view of a shelving system embodying our design;
FIG. 2 is a close-up view of a portion thereof;
FIG. 3 is a front elevation view thereof;
FIG. 4 is a rear elevation view thereof;
FIG. 5 is a right-side elevation view thereof;
FIG. 6 is a left-side elevation view thereof;
FIG. 7 is a top plan view thereof;
FIG. 8 is a close-up view of FIG. 6;
FIG. 9 is a bottom plan view of the shelving system of FIG. 1; and,
FIG. 10 is a close-up view of FIG. 7.

Portions of the article between the areas shown broken-away form no part of the claimed design.

All features in phantom line form no part of the claimed subject matter. Due to limitations in the ability to illustrate certain features in phantom line in the overall views of FIGS. 1 and 7, certain unclaimed features of the shelving system are shown only in the close-up views of FIGS. 2 and 8.

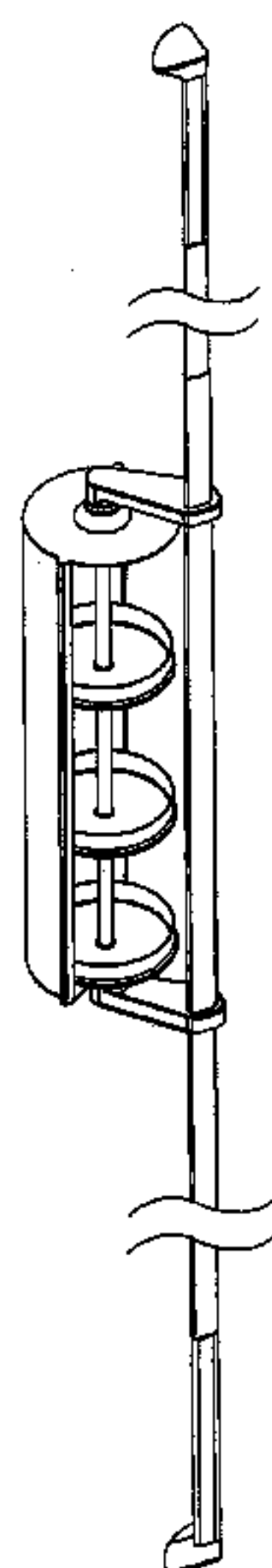
(56) **References Cited**

U.S. PATENT DOCUMENTS

141,186 A	7/1873	Thomas
163,852 A	6/1875	Denman
181,593 A	8/1876	Randall
387,758 A	8/1888	Barnhart
397,558 A	2/1889	Lumley
434,708 A	8/1890	Grier
475,020 A	5/1892	Perry
477,291 A	6/1892	Bomar
496,961 A	5/1893	Trude
527,273 A	10/1894	Fowler

(Continued)

1 Claim, 10 Drawing Sheets



(56)

References Cited

U.S. PATENT DOCUMENTS

536,272 A	3/1895	Edsall	3,894,707 A	7/1975	Heard
543,935 A	8/1895	Hostler	3,907,119 A	9/1975	Franz
612,061 A	10/1898	Shambaugh	3,923,162 A	12/1975	Hussey
613,231 A	11/1898	Bennett	D239,579 S	4/1976	Taub
618,425 A	1/1899	Manger	3,954,182 A	5/1976	McEvers
626,739 A	6/1899	Vanderman	3,983,823 A	10/1976	McDonnell
644,080 A	2/1900	Huebel	3,998,334 A	12/1976	Smith
661,755 A	11/1900	Thurstensen	4,018,019 A	4/1977	Raith et al.
839,339 A	12/1906	Tuttle	4,033,539 A	7/1977	Bardocz
841,866 A	1/1907	Hollis	4,059,915 A	11/1977	Owens
845,917 A	3/1907	Worley	4,096,951 A	6/1978	Menssen
913,955 A	3/1909	Hansen	4,106,736 A	8/1978	Becker, III et al.
970,485 A	9/1910	Frey	D250,560 S	12/1978	Gordon
1,026,149 A	5/1912	Crane	4,154,356 A	5/1979	Schieve
1,071,428 A	8/1913	Jones	4,192,426 A	3/1980	Gauthier
1,254,094 A	1/1918	Vogt	4,215,840 A	8/1980	Babberl
1,446,036 A	2/1923	Willaim	4,232,790 A	11/1980	Serrano
1,478,339 A	12/1923	Wade	4,274,400 A	6/1981	Baus
1,511,704 A	10/1924	Buck	4,310,193 A	1/1982	Kolleas
1,554,137 A	9/1925	Slifkin	4,360,283 A	11/1982	Psotta
1,582,762 A	4/1926	Klock	4,387,811 A	6/1983	Ragir et al.
1,639,551 A	8/1927	Booth	4,415,091 A	11/1983	Wolff
1,931,321 A	10/1933	Keil	4,428,488 A	1/1984	McAvinn et al.
2,012,452 A	8/1935	Littell	4,437,450 A	3/1984	Connelly
2,042,517 A	6/1936	Ellis	D273,645 S	5/1984	McEvers
2,157,309 A	5/1939	Swedman et al.	D274,201 S	6/1984	Aaron
2,199,851 A	5/1940	Freeman	4,511,047 A	4/1985	Elinsky
2,254,770 A	9/1941	Bitney	4,541,131 A	9/1985	Sussman
2,513,889 A	7/1950	Nilsson	4,559,879 A	12/1985	Hausser
2,675,782 A	4/1954	Lage et al.	D286,599 S	11/1986	Sussman
2,677,519 A	5/1954	Hobson	D289,353 S	4/1987	Davis et al.
2,746,661 A	5/1956	Kaplan	4,664,428 A	5/1987	Bridges
2,788,902 A	4/1957	Nowicki	4,761,092 A	8/1988	Nakatani
2,837,219 A	6/1958	Ferdinand et al.	4,771,897 A	9/1988	Ho
2,923,415 A	2/1960	Brown	4,771,899 A	9/1988	Benedict et al.
2,923,428 A	2/1960	Averill	4,776,471 A	10/1988	Elkins
2,928,512 A	3/1960	Slater et al.	4,786,022 A	11/1988	Grieshaber
2,932,873 A	4/1960	Reichert	4,805,784 A	2/1989	Solheim et al.
2,936,146 A	5/1960	Wunder	4,860,909 A	8/1989	Leumi
2,937,766 A	5/1960	Penn	4,865,283 A	9/1989	Parker
2,941,669 A	6/1960	Paley et al.	4,869,378 A	9/1989	Miller
D188,332 S	7/1960	Salen	4,869,379 A	9/1989	Hawkrige
D189,722 S	2/1961	Wolf	4,883,399 A	11/1989	MacLean
2,976,003 A	3/1961	Foster	4,895,331 A	1/1990	Nehls
2,977,953 A	4/1961	Dowdy	4,909,467 A	3/1990	Shan-Pao
3,035,708 A	5/1962	Freeman	D314,294 S	2/1991	Axhamre
3,043,440 A	7/1962	Berlin	4,998,647 A	3/1991	Sharp
3,059,374 A	10/1962	Bernay	5,014,860 A	5/1991	Emery
3,088,598 A	5/1963	Werneke	5,023,755 A	6/1991	Rosenberg
D195,412 S	6/1963	Vernik	5,127,528 A	7/1992	Cone
3,111,723 A	11/1963	Bates	5,160,101 A	11/1992	Ferraro et al.
3,115,107 A	12/1963	Glenny	5,180,067 A	1/1993	Conaway et al.
3,119,496 A	1/1964	Burk	5,190,170 A	3/1993	Steiner
3,124,253 A	3/1964	Pelrich et al.	5,192,427 A	3/1993	Eger et al.
3,132,609 A	5/1964	Chesley	5,197,614 A	3/1993	Dalton et al.
3,138,260 A	6/1964	Tedrick	5,255,401 A	10/1993	Sambrookes et al.
3,181,923 A	5/1965	Guillon et al.	5,284,260 A	2/1994	Caligiuri, Sr.
3,239,182 A	3/1966	Blanz	5,307,797 A	5/1994	Kleefeld
3,266,764 A	8/1966	Briles	5,318,175 A	6/1994	Stevens
3,307,710 A	3/1967	Negri	D351,751 S	10/1994	Brightbill et al.
3,319,983 A	5/1967	Zibell	5,355,867 A	10/1994	Hall et al.
3,343,685 A	9/1967	Giambalvo	5,429,252 A	7/1995	Liu
3,471,031 A	10/1969	Coplan	5,462,178 A	10/1995	Wallach et al.
3,533,583 A	10/1970	Azim	5,483,761 A	1/1996	Simpson
3,593,857 A	7/1971	Hernes	5,505,318 A	4/1996	Goff
D222,276 S	10/1971	Hughes	5,524,772 A	6/1996	Simmons
3,641,922 A	2/1972	Nachazel et al.	5,527,273 A	6/1996	Manna et al.
3,661,121 A	5/1972	Zielin	5,588,543 A	12/1996	Finger
3,695,455 A	10/1972	Larson	5,632,049 A	5/1997	Chen
3,710,096 A	1/1973	McFarlin	D382,733 S	8/1997	Goetz
3,787,078 A	1/1974	Williams	5,666,940 A	9/1997	Kreiter
3,789,996 A	2/1974	Stroh	5,692,817 A	12/1997	Jun et al.
3,791,091 A	2/1974	Albrizzi	5,697,508 A	12/1997	Rifkin et al.
3,807,574 A	4/1974	Lanza	5,702,010 A	12/1997	Liang
3,854,686 A	12/1974	Konstant	D388,642 S	1/1998	Winter
			5,735,413 A	4/1998	Allen
			5,772,048 A	6/1998	Sopcisak
			5,772,050 A	6/1998	Shih
			D396,379 S	7/1998	Stoetzl

(56)

References Cited

U.S. PATENT DOCUMENTS

D396,585 S	8/1998	Hofman	D516,901 S	3/2006	Murray
5,833,192 A	11/1998	Buhrman	7,021,814 B2	4/2006	Berardi
D402,145 S	12/1998	Hofman et al.	7,059,271 B2	6/2006	Santa Cruz et al.
5,855,184 A	1/1999	Eichler et al.	7,086,633 B2	8/2006	Welch et al.
5,855,286 A	1/1999	Zaid	D530,551 S	10/2006	Snell
5,897,002 A	4/1999	Carlino	D533,283 S	12/2006	Holztrager
5,899,423 A	5/1999	Albertini	D534,062 S	12/2006	van den Bosch
5,934,636 A	8/1999	Cyrell	7,195,213 B2	3/2007	Weatherly
5,941,397 A	8/1999	Buchanan et al.	D543,747 S	6/2007	Harwanko
5,984,114 A	11/1999	Frankel	D544,786 S	6/2007	Barrese
D417,991 S	12/1999	Hofman et al.	7,229,059 B1	6/2007	Hood
D419,020 S	1/2000	Emery et al.	D546,879 S	7/2007	Qiu
6,017,009 A	1/2000	Swartz et al.	7,246,711 B1	7/2007	Metcalf
D421,692 S *	3/2000	Wojtowicz et al. D6/525	D552,393 S	10/2007	Rosen
D421,867 S	3/2000	Carville et al.	D564,257 S	3/2008	Yang et al.
6,050,426 A	4/2000	Leurdijk	7,347,197 B2	3/2008	Hankinson
D424,355 S	5/2000	Barton	D566,991 S	4/2008	Harwanko
6,065,618 A	5/2000	Stetler	D568,657 S	5/2008	Snider
D427,469 S	7/2000	Thurston-Chartraw et al.	D568,658 S	5/2008	Yang et al.
D429,091 S *	8/2000	Chen D6/525	D569,148 S	5/2008	Yang et al.
D429,934 S	8/2000	Hofman	D572,060 S	7/2008	Snider
6,113,042 A	9/2000	Welsch et al.	D572,502 S	7/2008	Yang et al.
6,119,878 A	9/2000	Zen	D572,516 S	7/2008	Snider
6,123,303 A	9/2000	Huang	D573,386 S	7/2008	Clucas
6,135,668 A	10/2000	Lin	D573,387 S *	7/2008	Walker D6/525
6,152,312 A	11/2000	Nava et al.	D573,822 S	7/2008	Yang et al.
6,206,206 B1	3/2001	Saylor et al.	7,398,790 B2	7/2008	Glatz
6,233,877 B1	5/2001	Monroe	7,401,754 B2	7/2008	Welch et al.
D443,162 S	6/2001	Winter	D574,649 S	8/2008	Snider
D444,333 S	7/2001	Ferrer Beltran	D574,650 S	8/2008	Snider
D446,670 S	8/2001	Emery et al.	7,407,060 B2	8/2008	Swartz et al.
6,302,036 B1	10/2001	Carson et al.	D578,815 S	10/2008	Dominique et al.
6,302,280 B1	10/2001	Bermes	D579,254 S	10/2008	Dominique et al.
6,311,856 B2	11/2001	Battaglia et al.	D587,504 S	3/2009	Russell et al.
6,318,572 B1	11/2001	Lai	D589,728 S	4/2009	Shaha et al.
6,347,777 B1	2/2002	Webber et al.	D598,688 S	8/2009	Yang et al.
6,378,709 B1	4/2002	Stuart	7,591,385 B2	9/2009	Brooks
6,394,404 B1	5/2002	Cyrell	D622,990 S	9/2010	Yang et al.
6,409,029 B1	6/2002	Bermes	D628,841 S	12/2010	Yang et al.
D462,552 S *	9/2002	Emery et al. D6/525	D635,807 S *	4/2011	Lindo D6/525
6,481,586 B1	11/2002	Hoff	D641,193 S *	7/2011	Vaccaro D6/525
6,494,327 B2	12/2002	Huang	7,975,653 B2	7/2011	Cash
6,502,794 B1	1/2003	Ting	D651,837 S	1/2012	Yang et al.
D470,703 S	2/2003	Hoernig	D651,838 S *	1/2012	Yang et al. D6/525
6,520,351 B1	2/2003	Zadro	8,225,946 B2	7/2012	Yang et al.
6,527,473 B2	3/2003	Chen	8,408,405 B2	4/2013	Yang et al.
D473,411 S	4/2003	Walker	D683,165 S	5/2013	Yang et al.
6,540,430 B2	4/2003	Hsu	8,474,632 B2	7/2013	Yang et al.
6,550,739 B1	4/2003	Brindisi	8,763,821 B2	7/2014	Yang et al.
6,551,226 B1	4/2003	Webber et al.	D726,441 S	4/2015	Yang et al.
D475,560 S	6/2003	Suero, Jr.	D727,060 S	4/2015	Yang et al.
D475,561 S	6/2003	Suero, Jr.	2001/0004064 A1	6/2001	Battaglia et al.
6,575,315 B2	6/2003	Zidek	2002/0158033 A1	10/2002	Chen
6,581,790 B1	6/2003	Zadro	2002/0172549 A1	11/2002	Koros et al.
6,591,996 B1	7/2003	Wu	2003/0000905 A1	1/2003	Zidek
6,619,164 B1	9/2003	Ricci et al.	2003/0132181 A1	7/2003	Saulnier-Matteini
6,648,152 B2	11/2003	Bermes	2003/0136782 A1	7/2003	Dicello et al.
D483,251 S	12/2003	Suero, Jr.	2003/0222191 A1	12/2003	Tsai
D485,462 S *	1/2004	Suero, Jr. D6/525	2004/0188577 A1	9/2004	Gaderick
6,688,238 B1	2/2004	Alexiou	2005/0040301 A1	2/2005	Walter
6,726,034 B2	4/2004	Holbrook et al.	2005/0139562 A1	6/2005	Chen
D489,207 S	5/2004	Rosen	2005/0205509 A1	9/2005	Flynn
D492,188 S	6/2004	Goldberg	2005/0205722 A1	9/2005	Krueger
6,758,355 B2	7/2004	Zidek	2006/0038097 A1	2/2006	Diller
D493,991 S	8/2004	Dretzka	2006/0124812 A1	6/2006	Berardi
D495,549 S	9/2004	Yu et al.	2006/0130381 A1	6/2006	Caterinacci
6,824,000 B2	11/2004	Samelson	2006/0180561 A1	8/2006	Wisnoski et al.
6,824,225 B2	11/2004	Stiffler	2006/0261022 A1	11/2006	Sampaio
6,848,144 B1	2/2005	McDonald	2007/0045208 A1	3/2007	Quan
6,871,748 B2	3/2005	Suttles	2007/0194191 A1	8/2007	Persson
6,918,498 B2	7/2005	Sparkowski	2007/0235611 A1	10/2007	Riblet
D509,361 S	9/2005	Suero, Jr.	2007/0295681 A1	12/2007	Colin
6,957,794 B2	10/2005	Landreville et al.	2008/0053935 A1	3/2008	Newbould et al.
D512,861 S	12/2005	Rosen	2008/0142669 A1	6/2008	Zlotocha
6,983,853 B1	1/2006	Fickett	2009/0134290 A1	5/2009	Begic et al.
			2009/0188880 A1	7/2009	Yang et al.
			2010/0000449 A1	1/2010	Botkin
			2011/0271438 A1	11/2011	Yang et al.
			2013/0191987 A1	8/2013	Yang et al.

(56)

References Cited

U.S. PATENT DOCUMENTS

FOREIGN PATENT DOCUMENTS

CA	136936	3/2011
CA	136937	9/2011
CN	301523949 S	4/2011
CN	301642065 S	8/2011
CN	301735061 S	11/2011
EP	2191757	6/2010
EP	001217053	8/2010
EP	001232896	10/2010
EP	001232912	10/2010
FR	2549361	1/1985
JP	D1136196	1/2002
KR	3020030000821	3/2003
WO	WO 2009/097298	8/2009

OTHER PUBLICATIONS

U.S. Appl. No. 29/484,765, filed Mar. 12, 2014, Yang et al.

U.S. Appl. No. 29/484,743, filed Mar. 12, 2014, Yang et al.
White Adjustable Shower Caddy, Simplehuman SKU# BT1015, available at least as early as Dec. 14, 2007 on the internet at www.simplehuman.com (see <http://web.archive.org/web/20071221125437/www.simplehuman.com/products/bathroom-organization/white-shower-caddy.html>).

Magnite—The Magnetic Shower Caddy by Max Hunt, Coroflot product webpage, believed to be available as early as Aug. 10, 2012, retrieved on Feb. 17, 2015, <http://www.coroflot.com/theha/Magnite-The-Magnetic-Shower-Caddy>.

Office Action for Canadian Application No. 158594, dated Jan. 9, 2015, in 2 pages.

Office Action for Canadian Application No. 158594, dated Mar. 6, 2015, in 3 pages.

U.S. Appl. No. 29/518,332, filed Feb. 23, 2015, Yang et al.

U.S. Appl. No. 29/518,327, filed Feb. 23, 2015, Yang et al.

U.S. Appl. No. 29/518,582, filed Feb. 25, 2015, Yang et al.

U.S. Appl. No. 14/634,408, filed Feb. 27, 2015, Yang et al.

U.S. Appl. No. 14/638,940, filed Mar. 4, 2015, Yang et al.

* cited by examiner

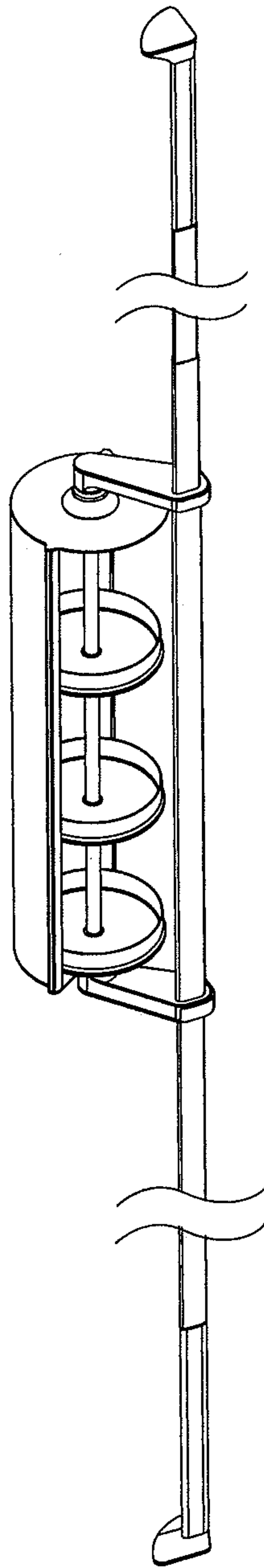


Fig. 1

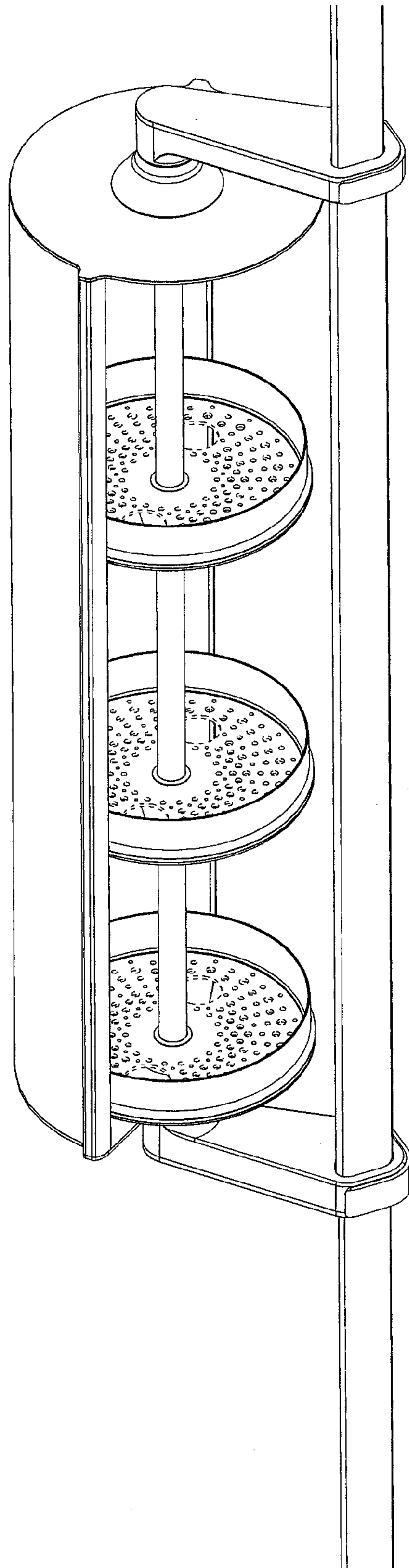


Fig. 2

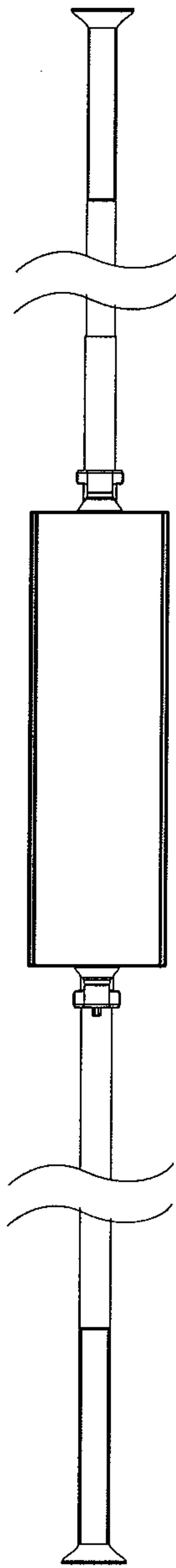


Fig. 3

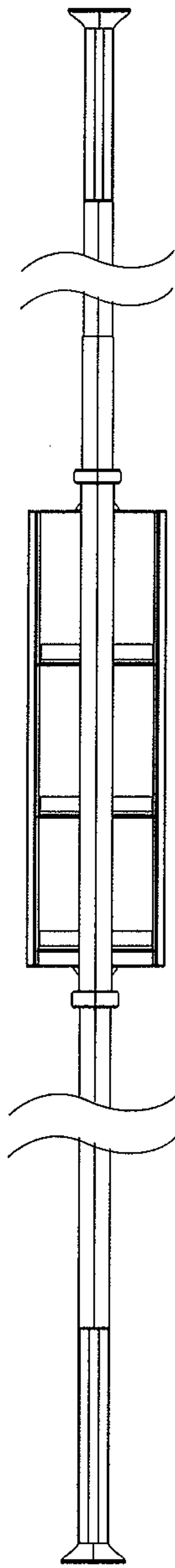


Fig. 4

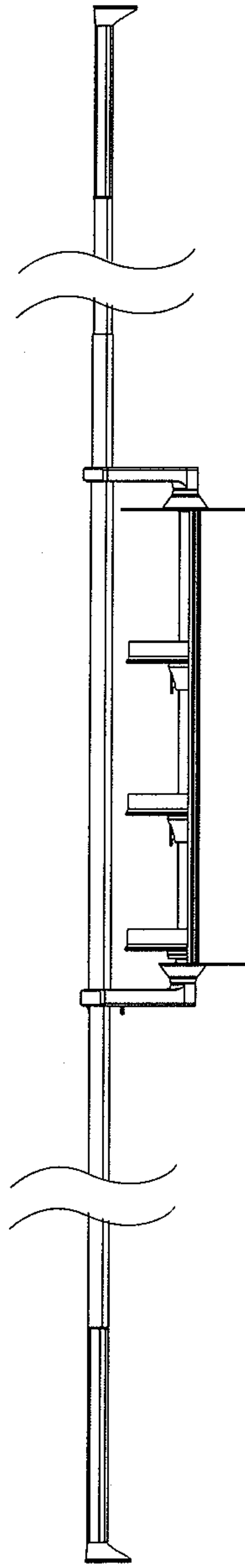


Fig. 5

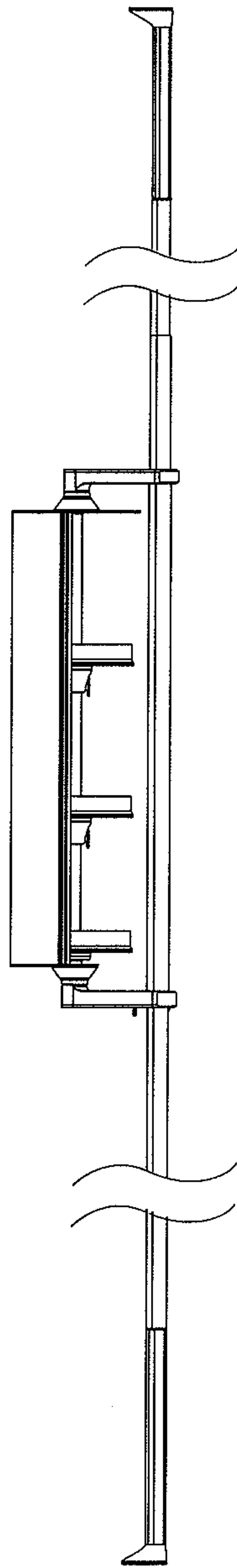


Fig. 6

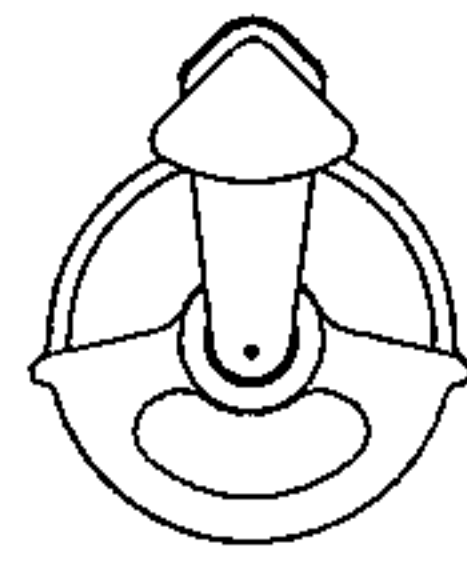


Fig. 7

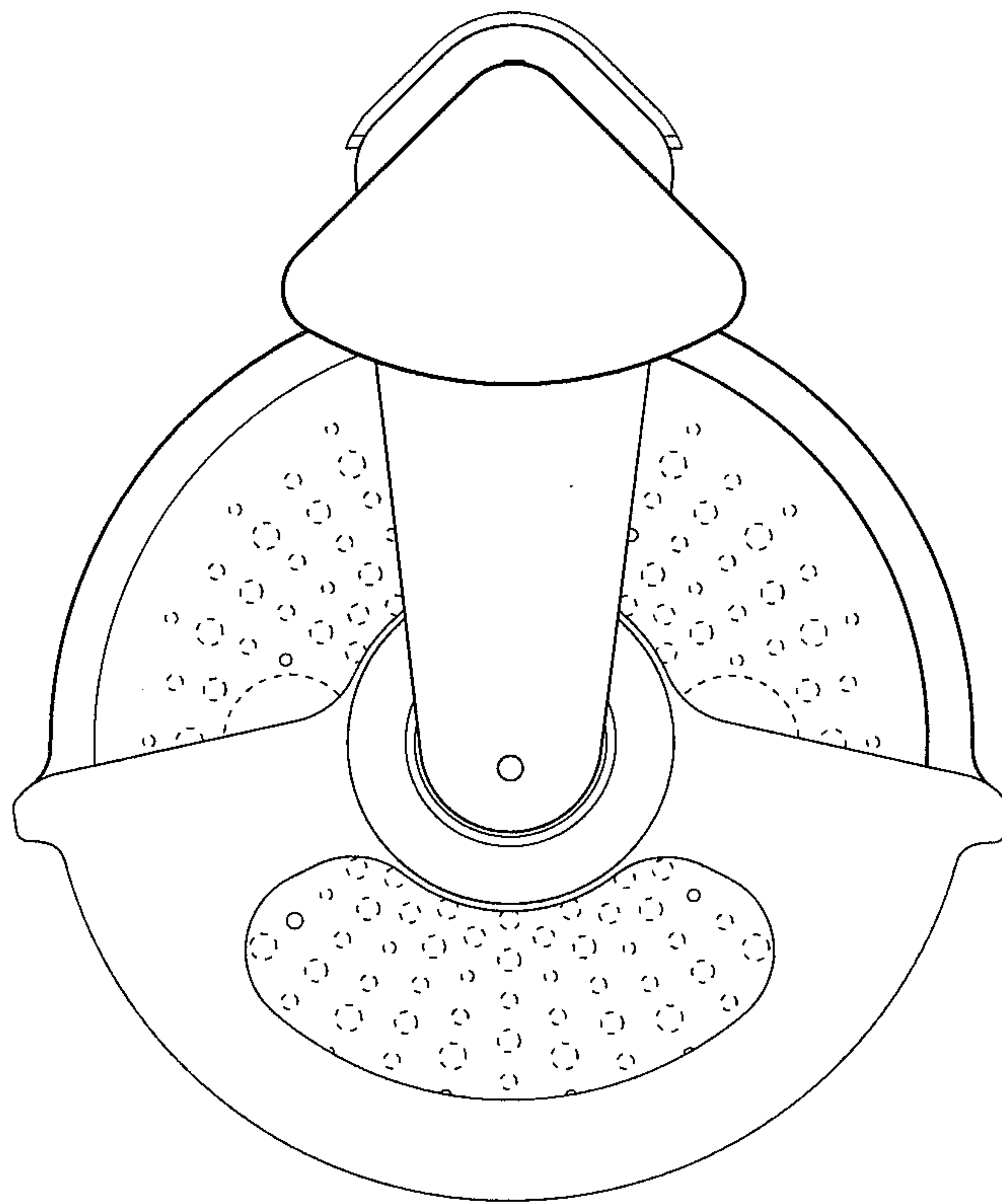


Fig. 8

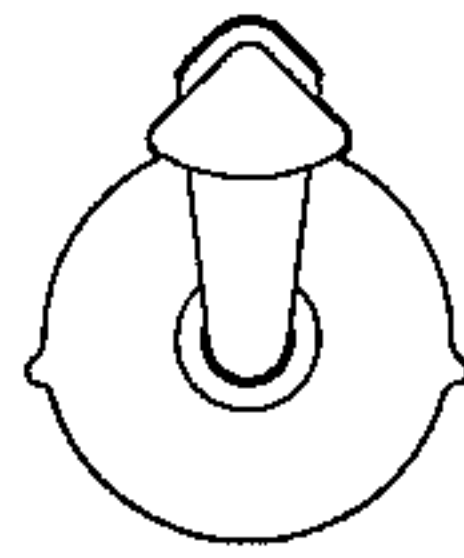


Fig. 9

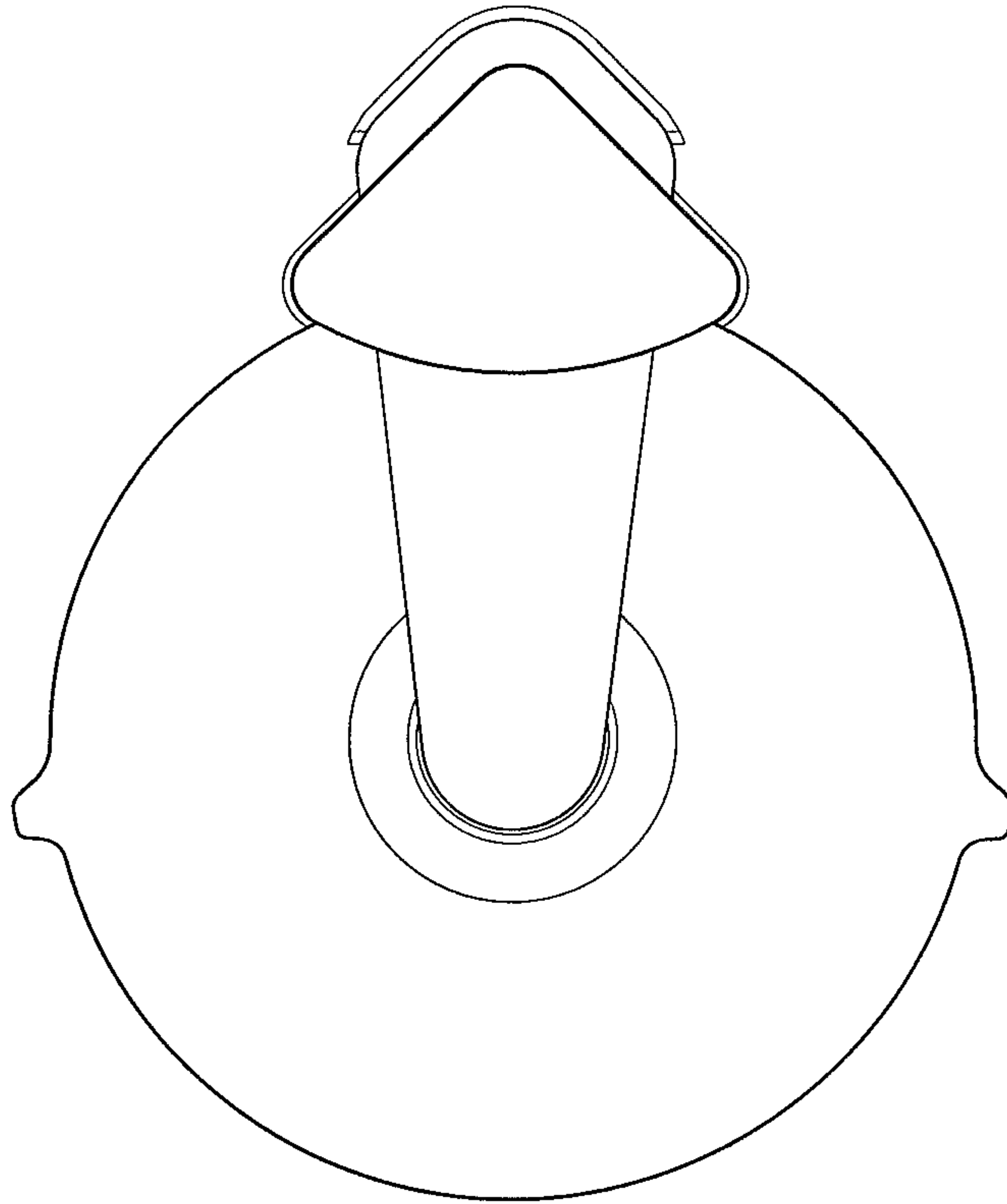


Fig. 10