



US00D734955S

(12) **United States Design Patent**
Yang

(10) **Patent No.:** **US D734,955 S**
(45) **Date of Patent:** **** Jul. 28, 2015**

(54) **CHAIR**

(71) Applicant: **Chun-Rong Yang**, Dzan-Hwa (TW)

(72) Inventor: **Chun-Rong Yang**, Dzan-Hwa (TW)

(**) Term: **14 Years**

(21) Appl. No.: **29/496,307**

(22) Filed: **Jul. 11, 2014**

(51) **LOC (10) Cl.** **06-01**

(52) **U.S. Cl.**

USPC **D6/363; D6/380**

(58) **Field of Classification Search**

USPC D6/334–336, 343, 363, 364, 368, 370,
D6/374, 379, 380, 716, 716.1, 716.2,
D6/716.4, 708.16

CPC A47C 4/02; A47C 4/03; A47C 9/10;
A47C 4/021; A47C 4/028; A47C 7/16

See application file for complete search history.

(56) **References Cited**

U.S. PATENT DOCUMENTS

D172,126 S * 5/1954 Conhaim D6/343
D179,505 S * 1/1957 Armbruster D6/363
D195,566 S * 7/1963 Gleitsman D6/343
D225,143 S * 11/1972 Ritter D6/343
D249,103 S * 8/1978 Rodriguez D6/363

D284,429 S * 7/1986 Garde D6/368
D314,300 S * 2/1991 Kamahara D6/708.16
D326,368 S * 5/1992 Vilmar-Matthews D6/363
D330,463 S * 10/1992 Tonon D6/363
D337,895 S * 8/1993 Berlic D6/370
D338,565 S * 8/1993 Tihany D6/363
D340,360 S * 10/1993 Strugarevic et al. D6/363
D363,829 S * 11/1995 Berlic D6/380
D411,694 S * 6/1999 Bartlmae D6/380
D474,041 S * 5/2003 Howard et al. D6/368
D594,243 S * 6/2009 Mic D6/380
D673,787 S * 1/2013 Bartlmae D6/380

* cited by examiner

Primary Examiner — Mimosa De

(74) *Attorney, Agent, or Firm* — Bacon & Thomas, PLLC

(57) **CLAIM**

The ornamental design for a chair, as shown and described.

DESCRIPTION

FIG. 1 is a perspective view of a chair showing my new design;

FIG. 2 is a front view thereof;

FIG. 3 is a rear view thereof;

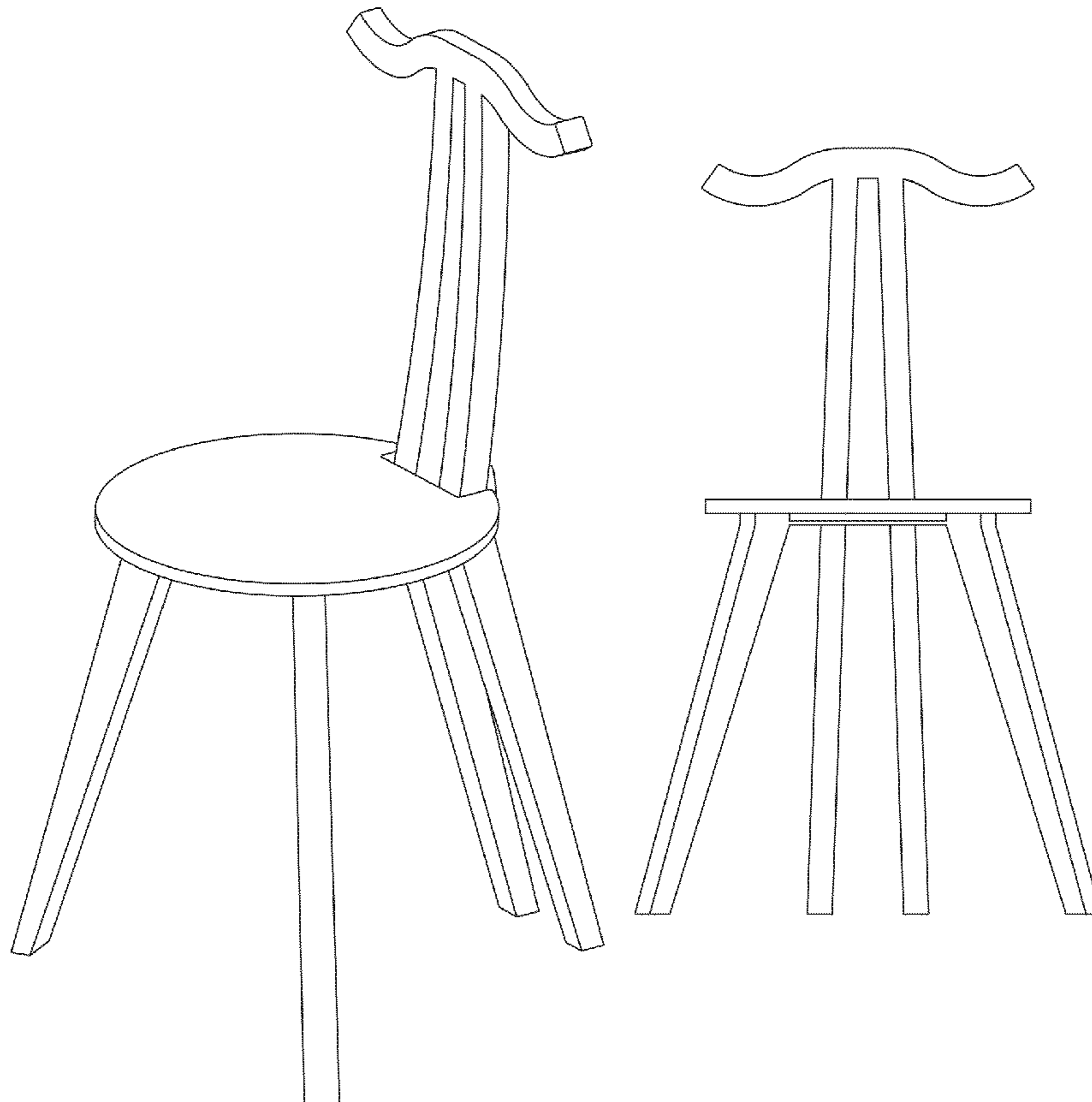
FIG. 4 is a left side view thereof;

FIG. 5 is a right side view thereof;

FIG. 6 is a top plan view thereof; and,

FIG. 7 is a bottom plan view thereof.

1 Claim, 4 Drawing Sheets



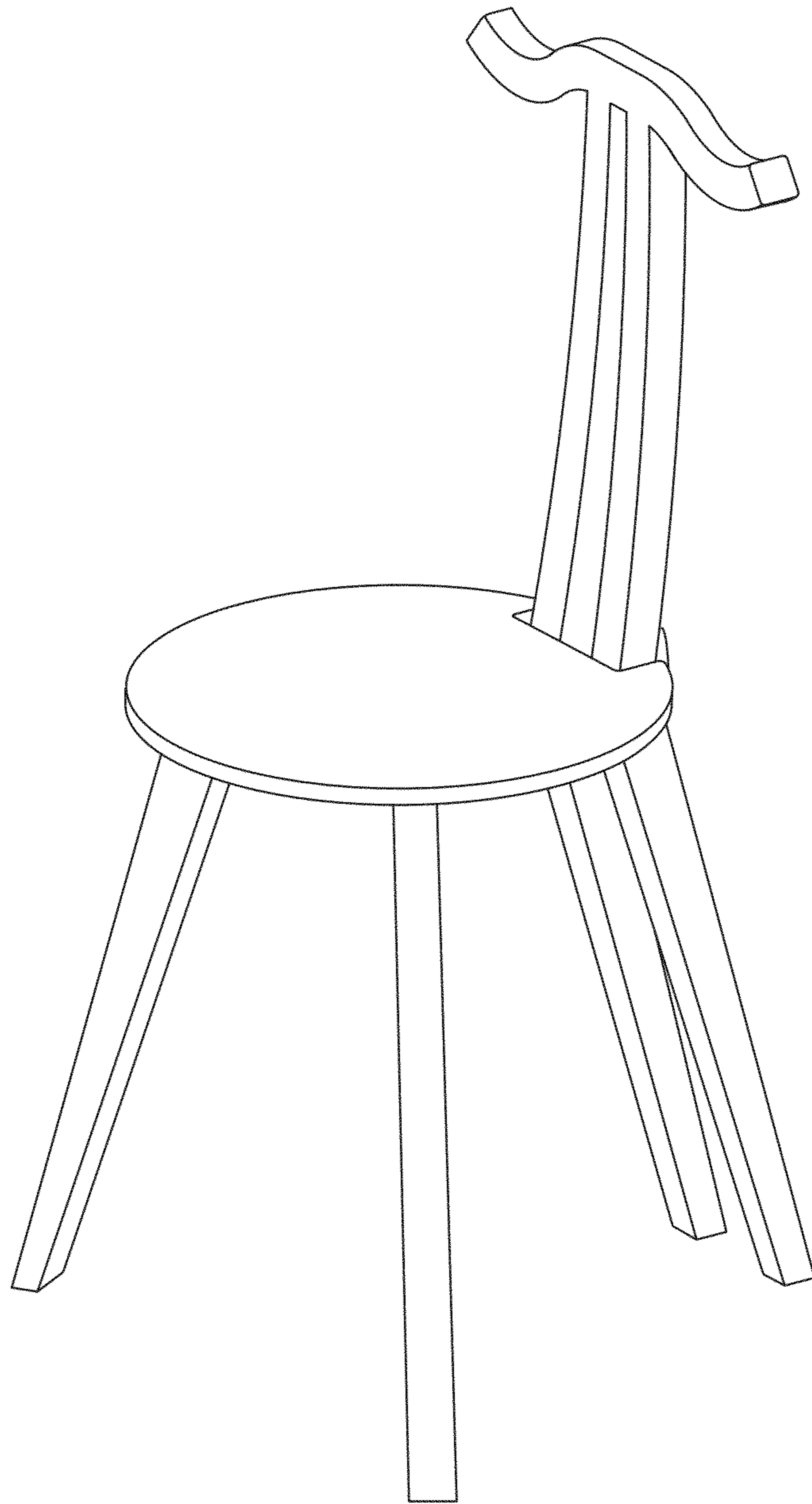


FIG. 1

FIG. 2

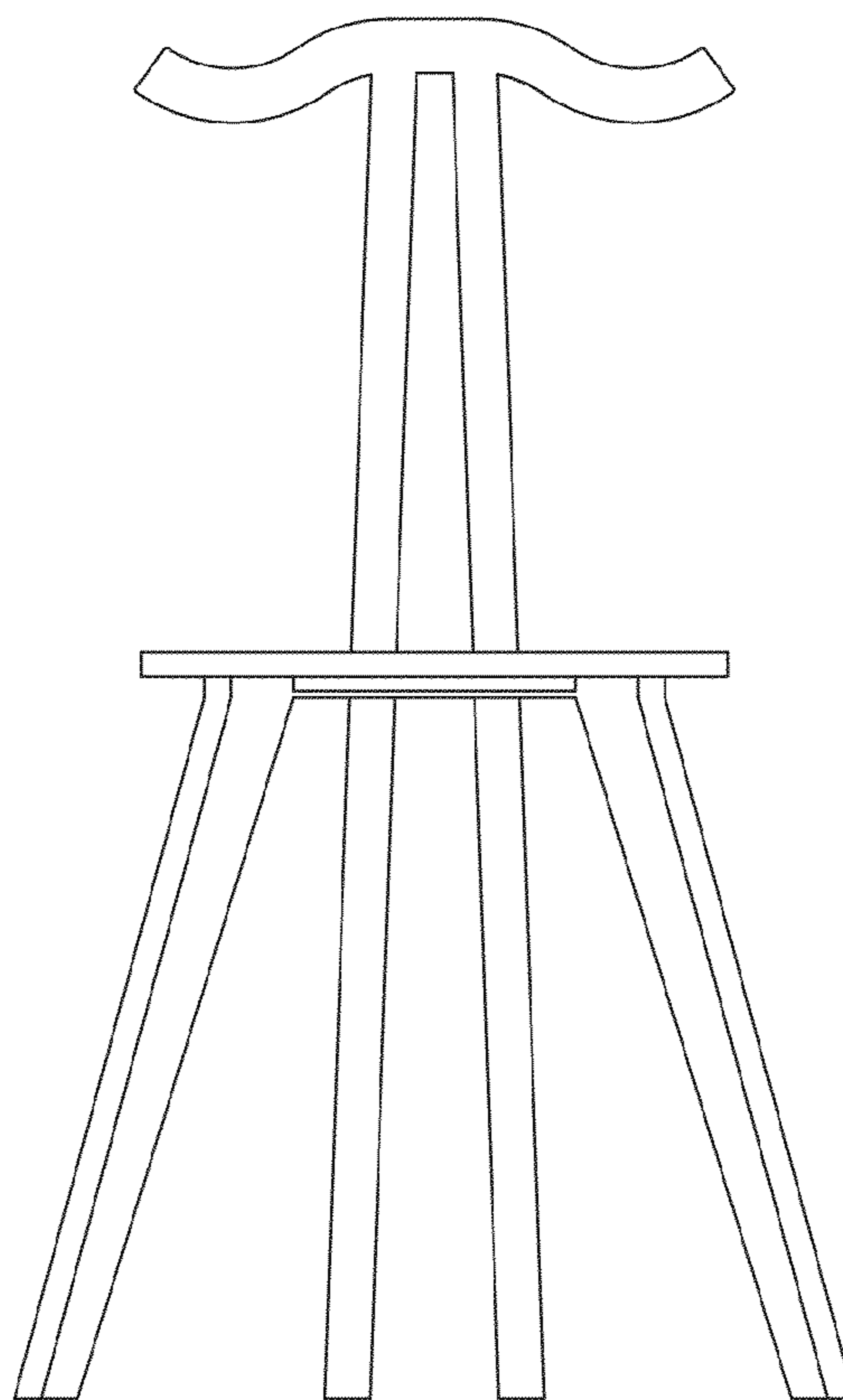


FIG. 3

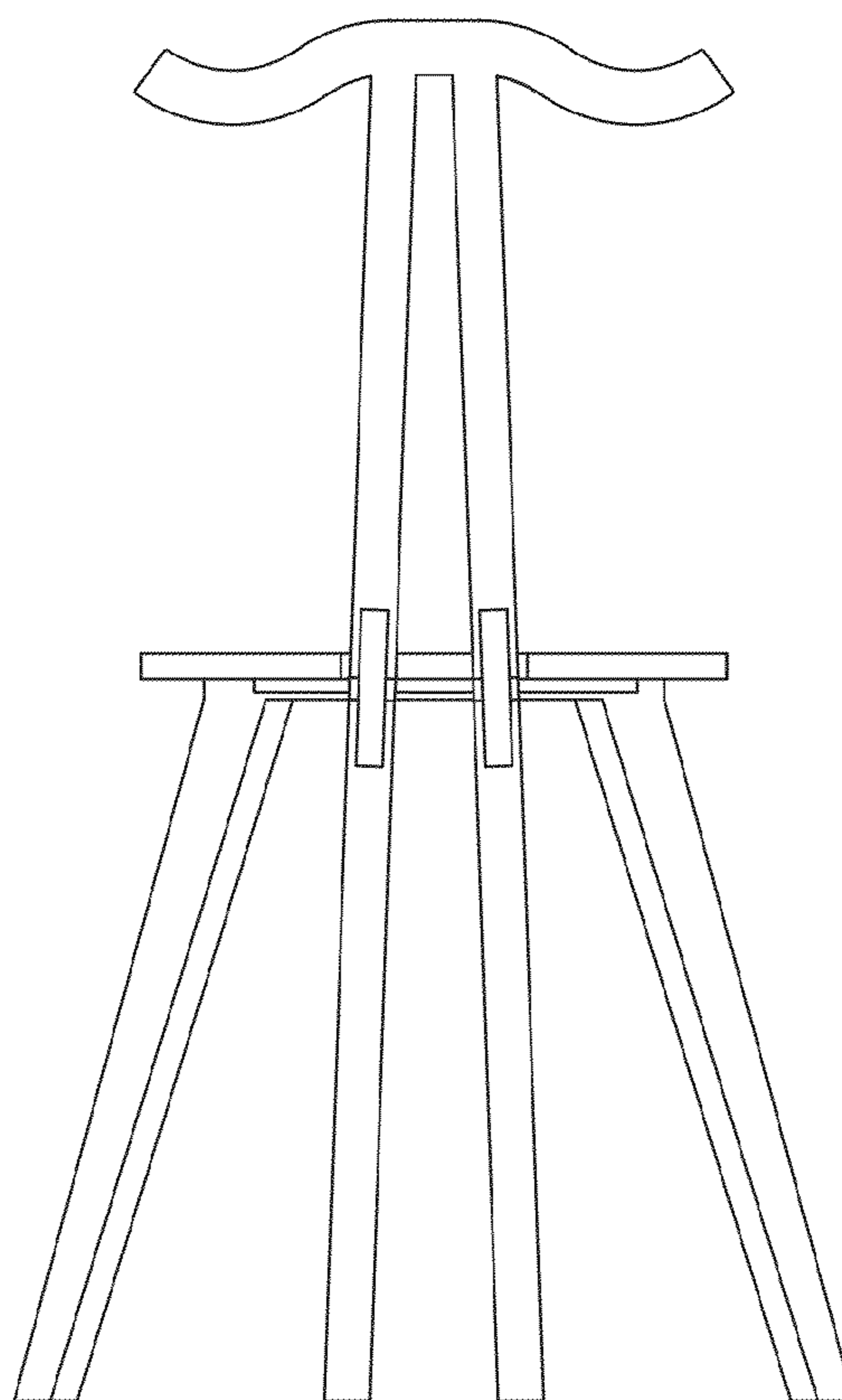


FIG. 4

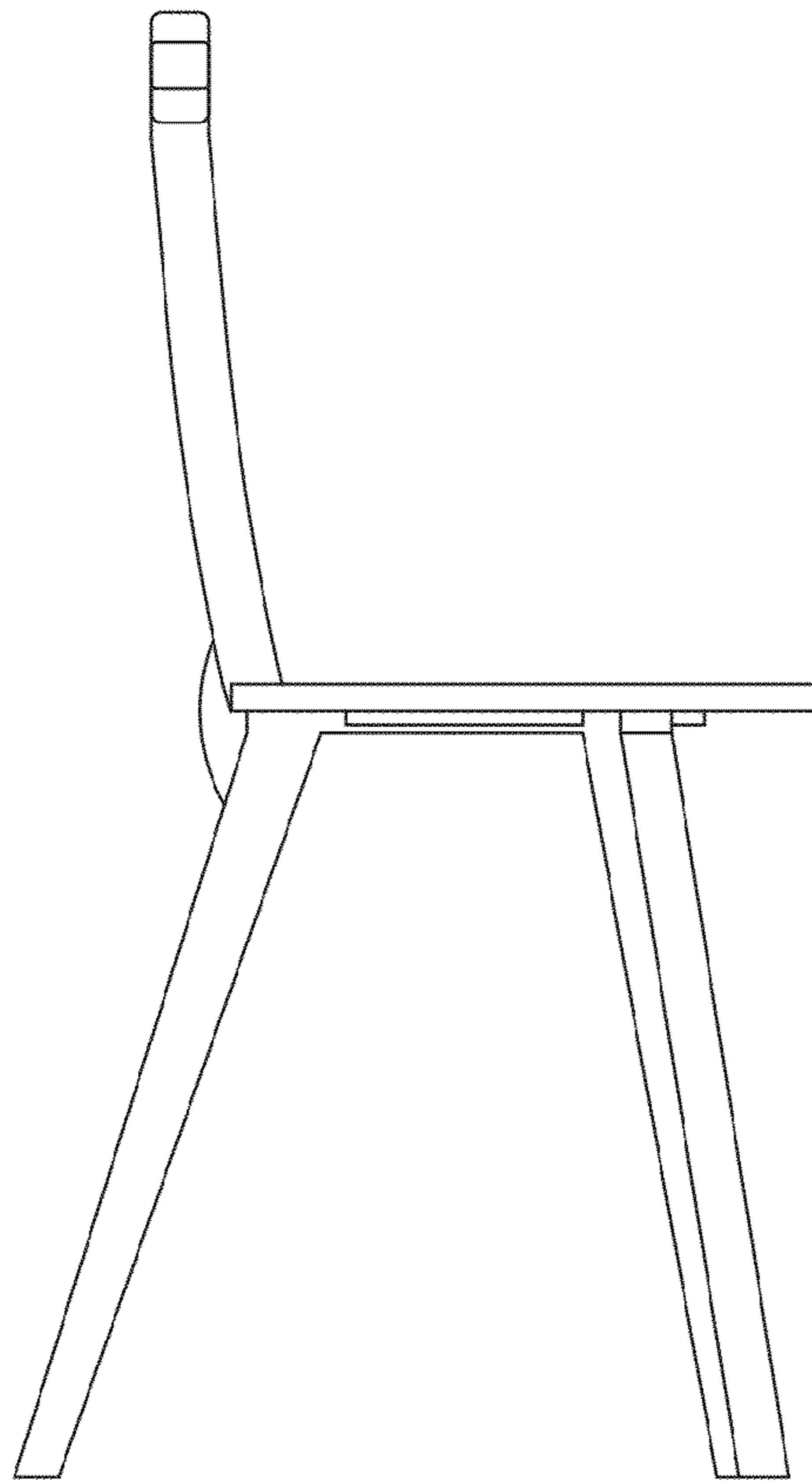


FIG. 5

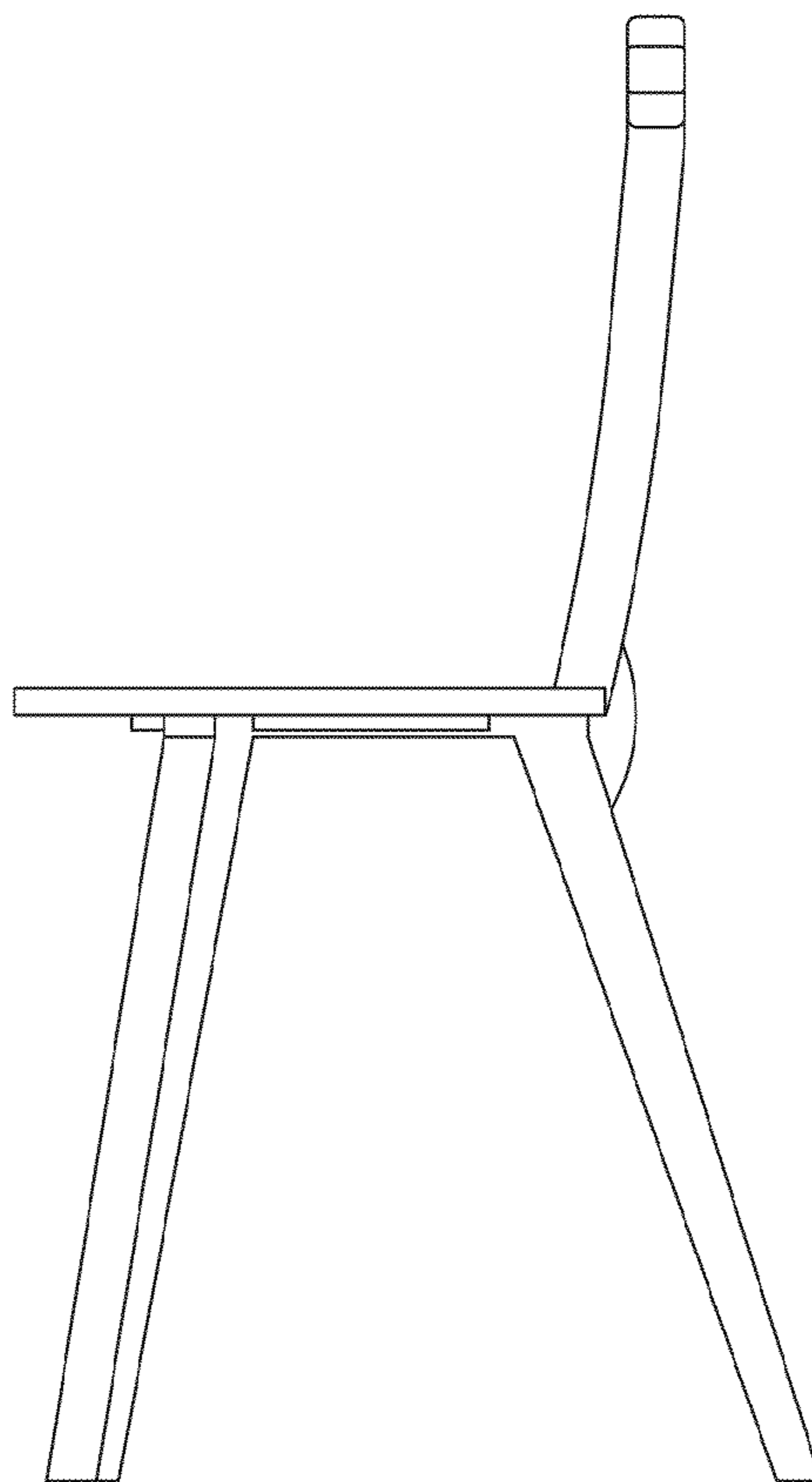


FIG. 6

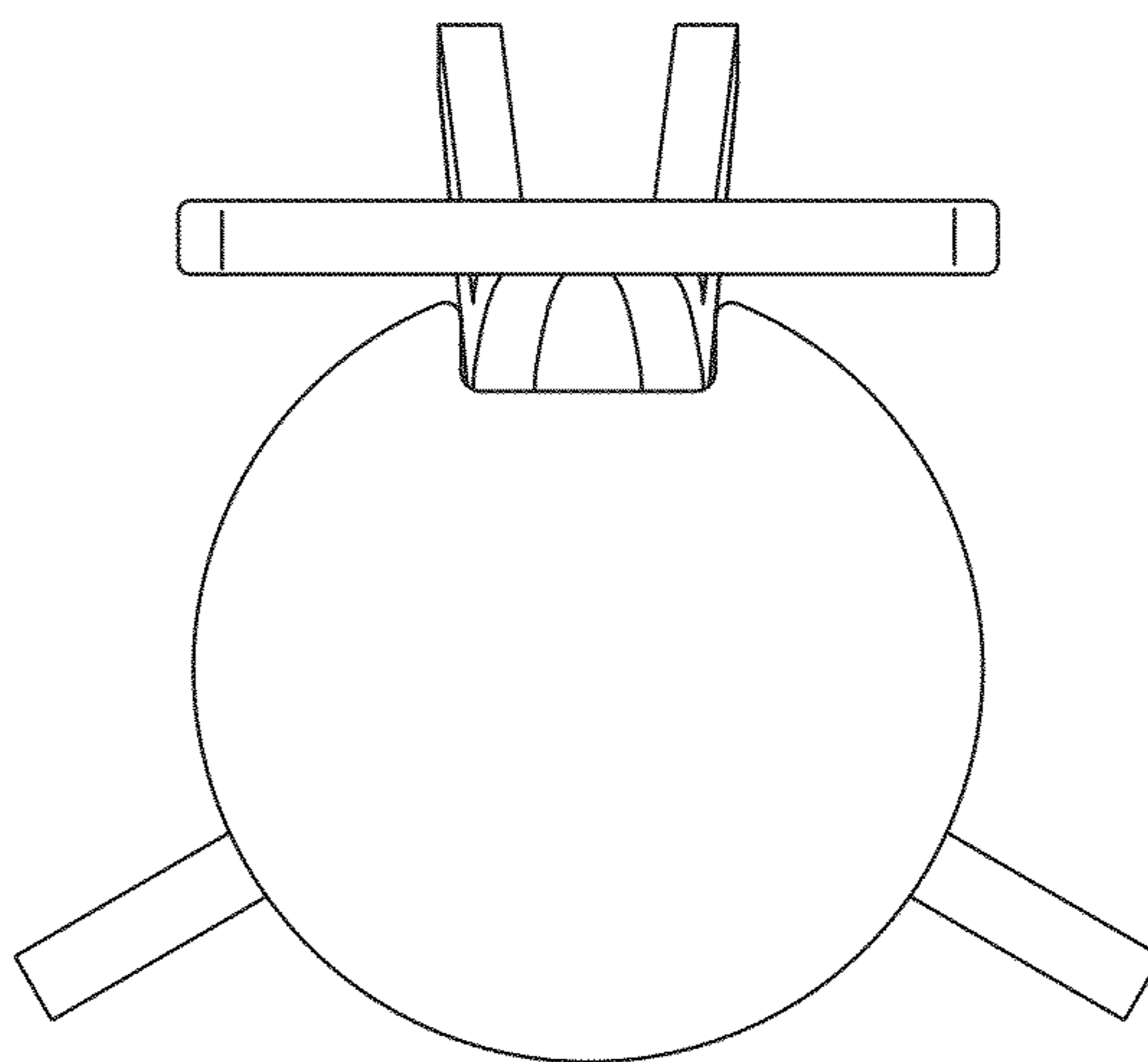


FIG. 7

