

US00D734954S

(12) **United States Design Patent**
Wang

(10) **Patent No.:** **US D734,954 S**

(45) **Date of Patent:** **** Jul. 28, 2015**

(54) **SPRING ROCKING CHAIR**

(71) Applicant: **NINGBO MANA ALUMINUM
INDUSTRY CO., LTD.**, Ningbo (CN)

(72) Inventor: **Xionghuan Wang**, Ningbo (CN)

(73) Assignee: **Ningbo Mana Aluminum Industry Co.,
Ltd.**, Ningbo (CN)

(**) Term: **14 Years**

(21) Appl. No.: **29/498,913**

(22) Filed: **Aug. 8, 2014**

(30) **Foreign Application Priority Data**

Apr. 9, 2014 (CN) 2014 3 0081991

(51) **LOC (10) Cl.** **06-01**

(52) **U.S. Cl.**
USPC **D6/361**

(58) **Field of Classification Search**

USPC D6/334-336, 348, 361, 374, 375, 716,
D6/716.1, 716.2, 716.3, 716.4

CPC A47C 1/143; A47C 7/50; A47C 3/02;
A47C 3/021; A47C 3/023; A47C 3/026;
A47C 4/02; A47C 5/04; A47C 5/06

See application file for complete search history.

(56) **References Cited**

U.S. PATENT DOCUMENTS

D279,732 S * 7/1985 Zlotnick D6/361
D282,416 S * 2/1986 Giordano D6/361

4,824,170 A * 4/1989 Goldmeier A47C 1/143
D304,394 S * 11/1989 Harmer D6/361
D310,921 S * 10/1990 Nagengast et al. D6/361
5,046,782 A * 9/1991 Lundeen A47C 1/143
D350,240 S * 9/1994 Carstarphen D6/361
D358,497 S * 5/1995 Jones et al. D6/361
5,975,630 A * 11/1999 Schreiber A47C 1/143
D531,318 S * 10/2006 Morral Gispert D6/361
D533,368 S * 12/2006 Natuzzi D6/361
D565,852 S * 4/2008 Wang D6/361
D608,554 S * 1/2010 Aoki D6/361

* cited by examiner

Primary Examiner — Mimoso De

(74) *Attorney, Agent, or Firm* — McNees Wallace & Nurick
LLC

(57) **CLAIM**

The ornamental design for a spring rocking chair, as shown
and described.

DESCRIPTION

FIG. 1 is a front view of a spring rocking chair;
FIG. 2 is a back view thereof;
FIG. 3 is a top view thereof;
FIG. 4 is a bottom view thereof;
FIG. 5 is a left view thereof;
FIG. 6 is a right view thereof; and,
FIG. 7 is a perspective view thereof.

1 Claim, 6 Drawing Sheets

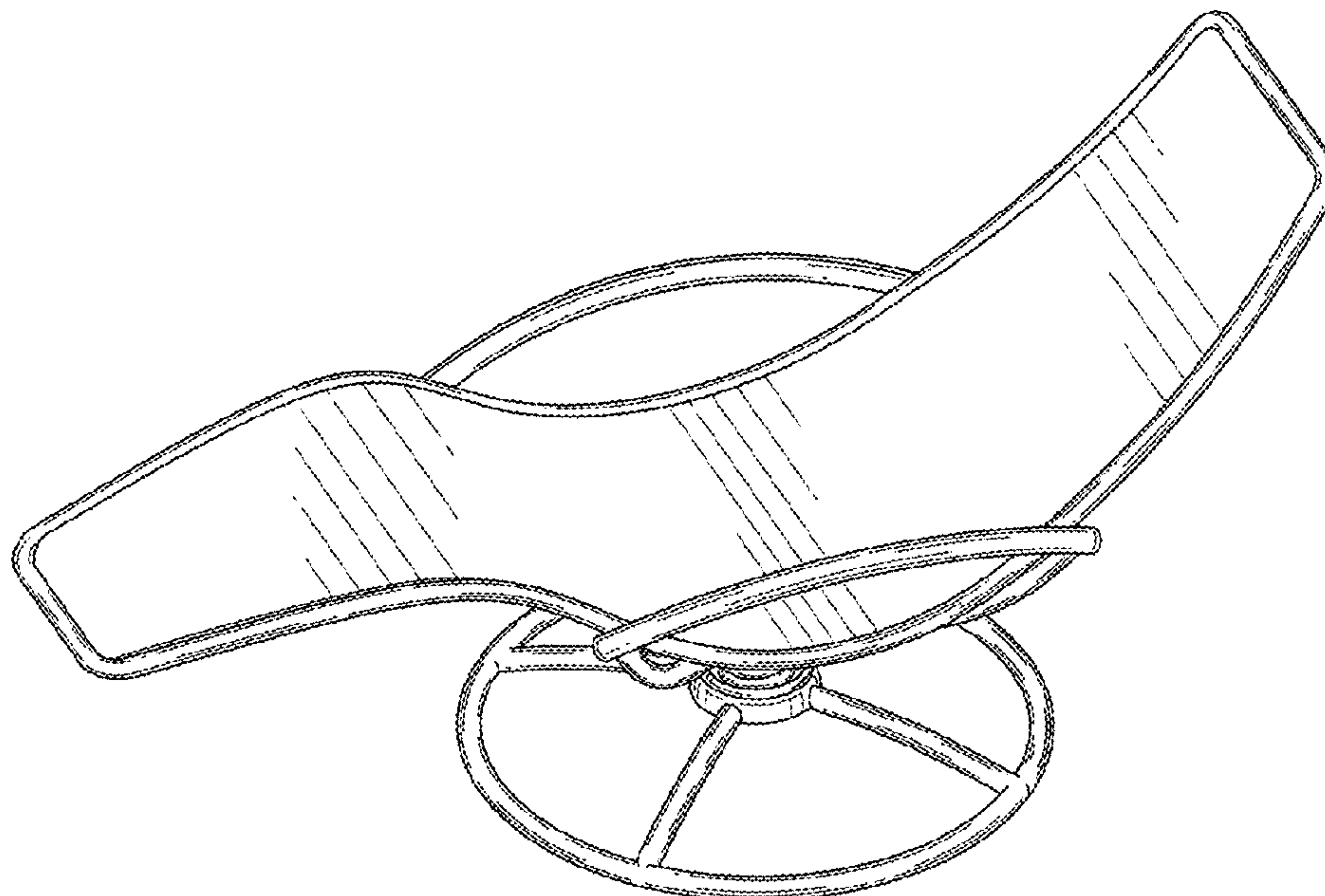


Fig. 1

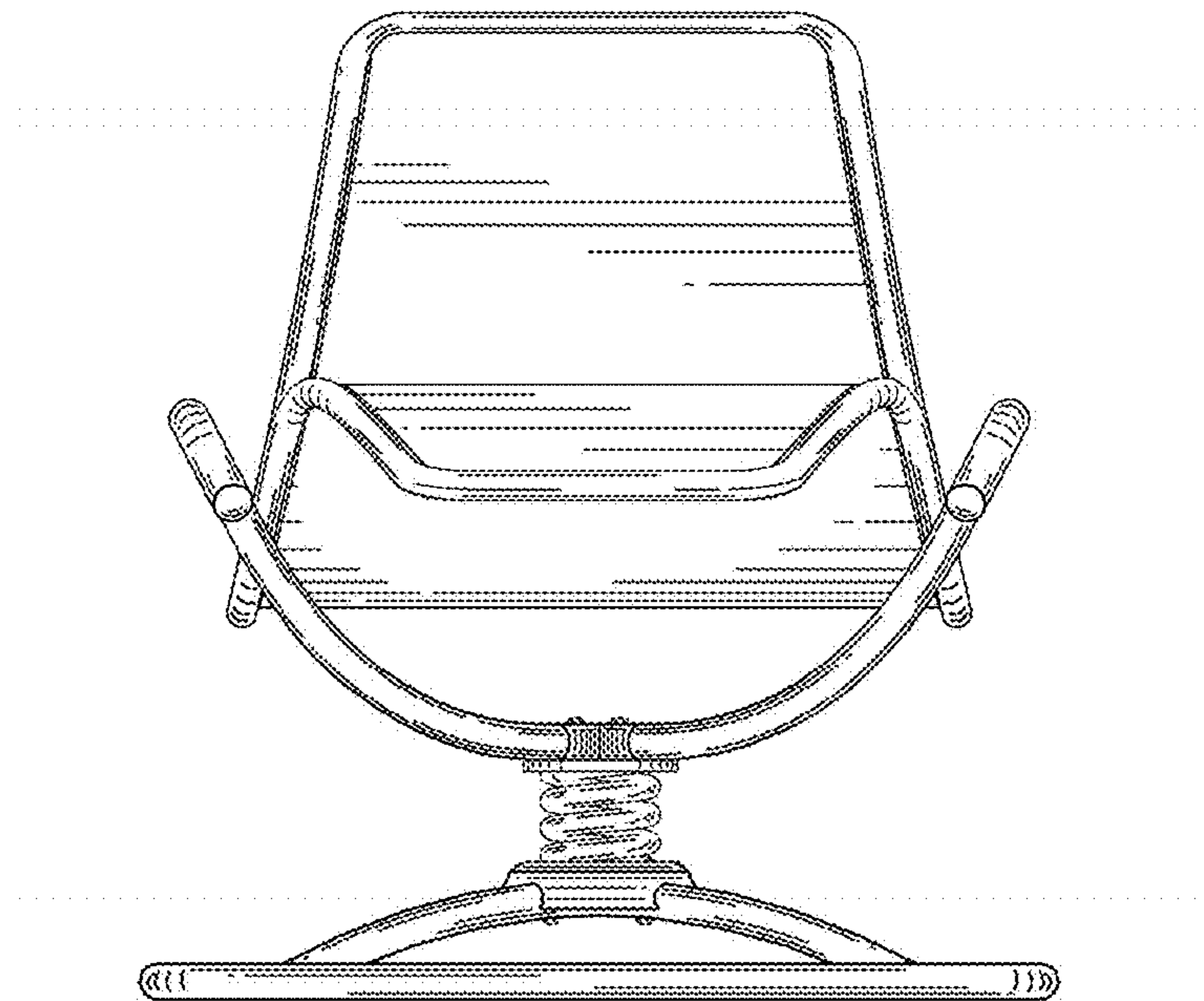


Fig. 2

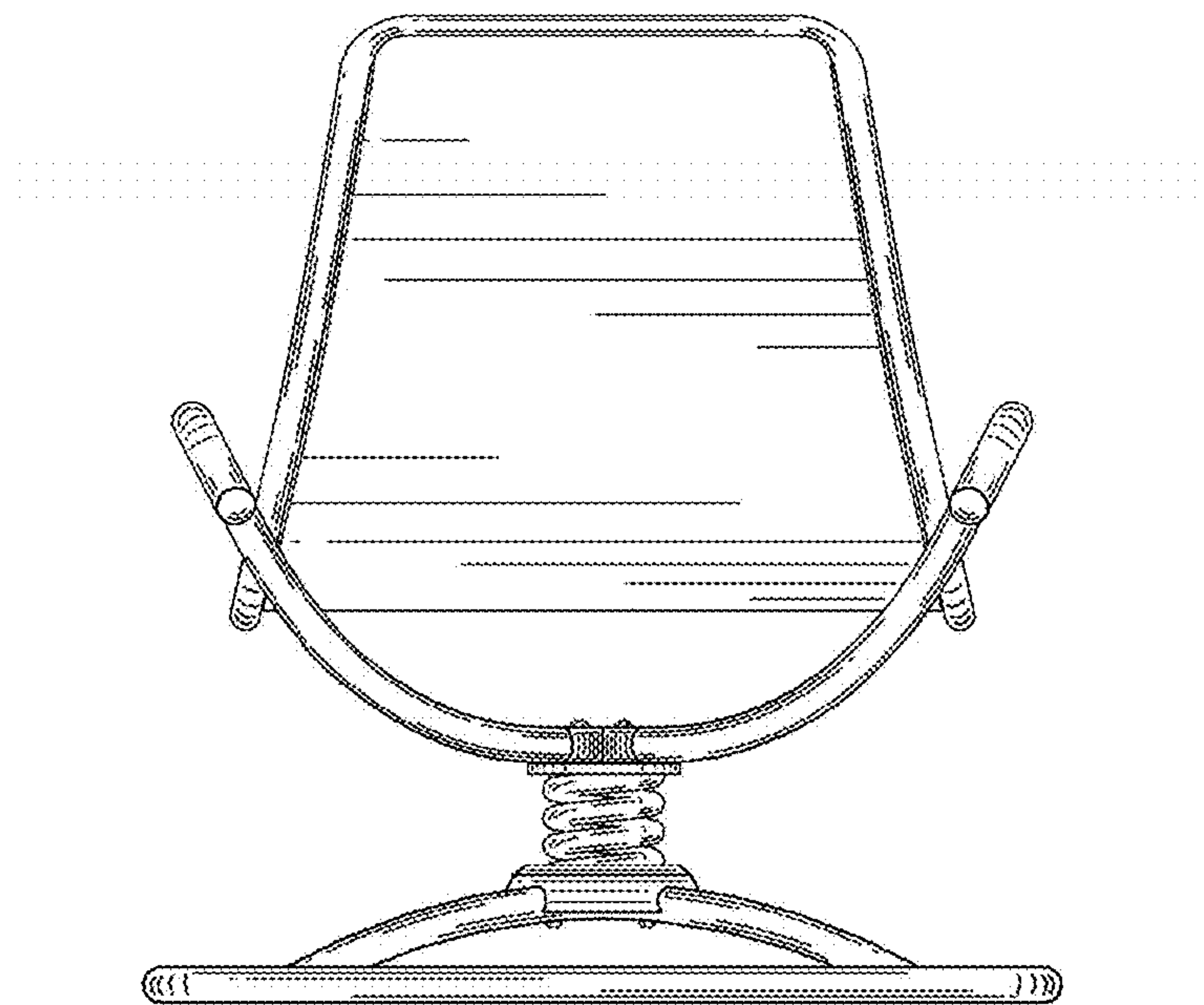


Fig. 3

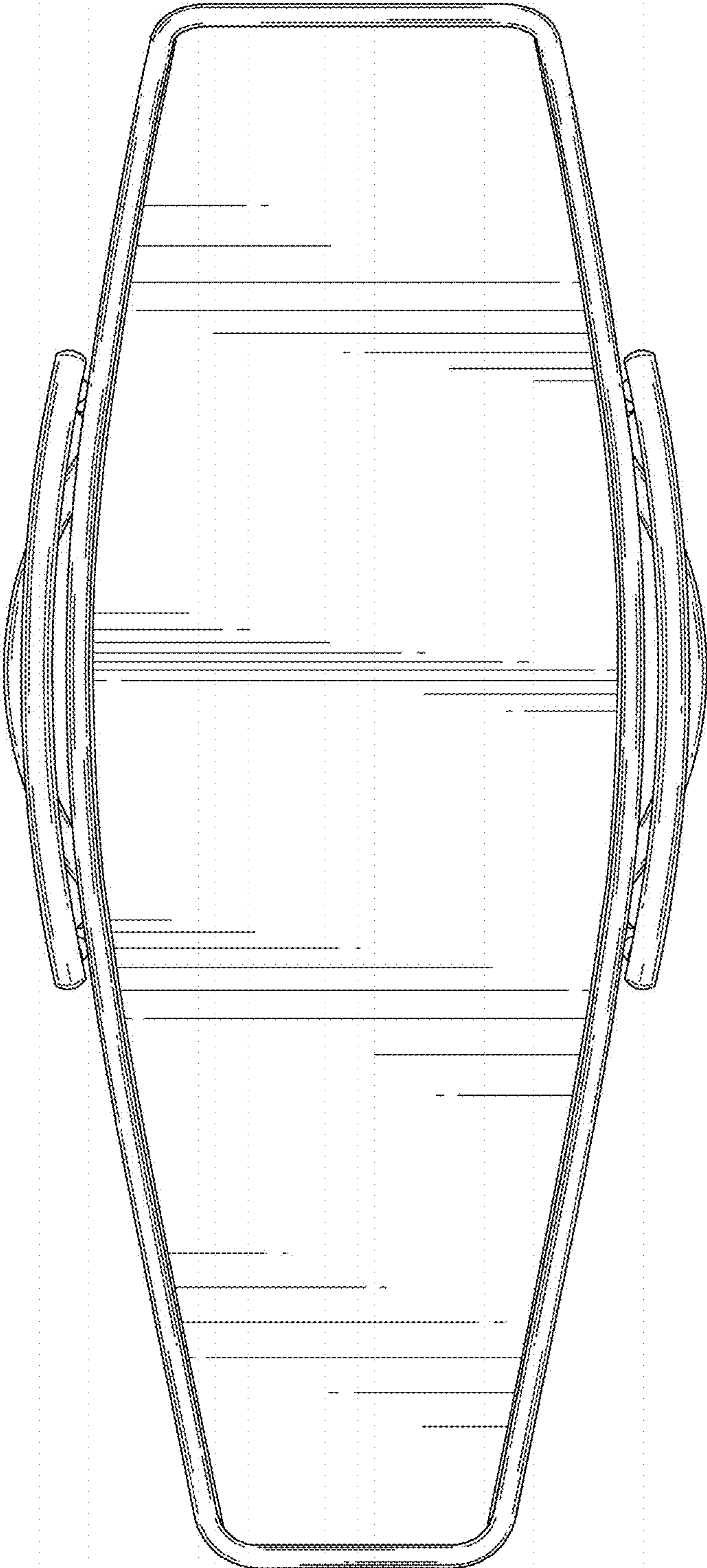


Fig. 4

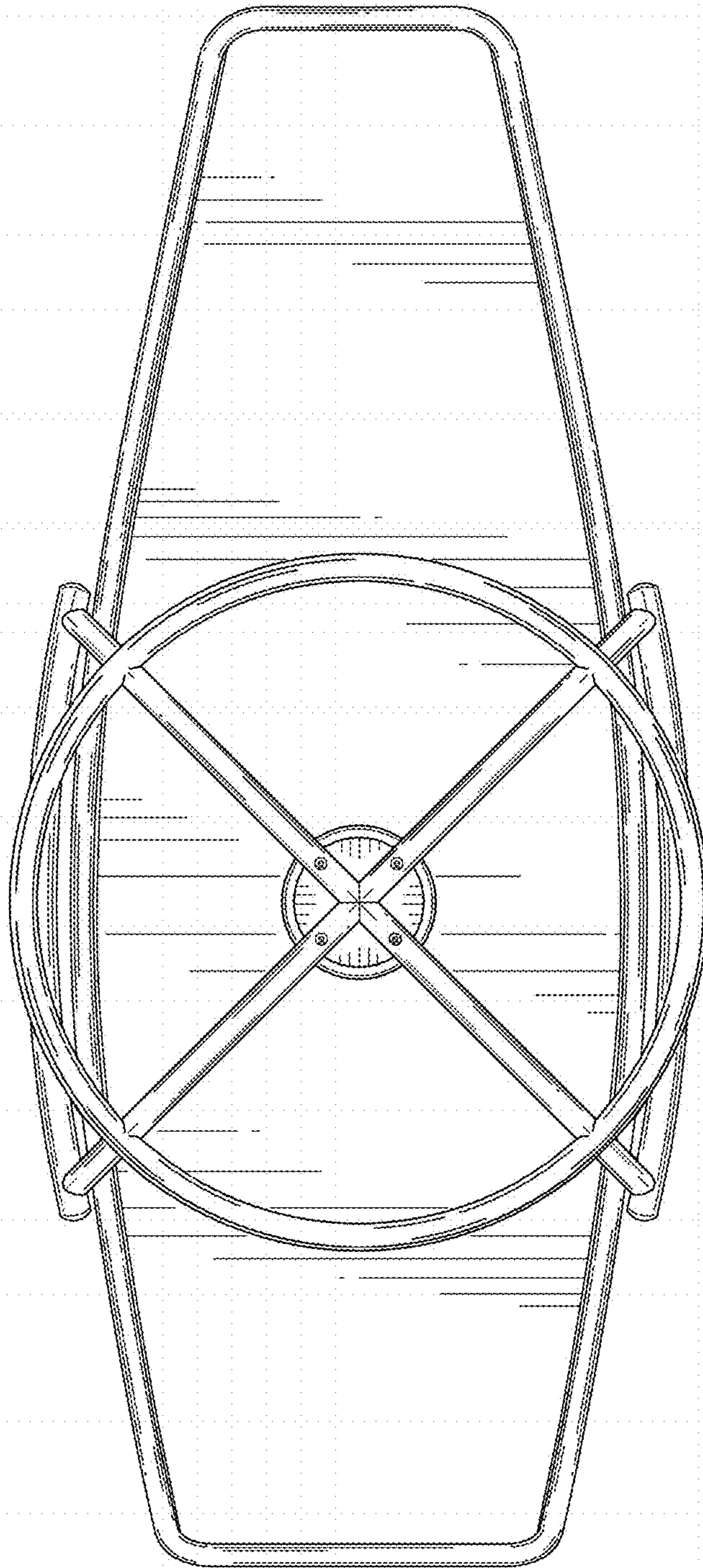


Fig. 5

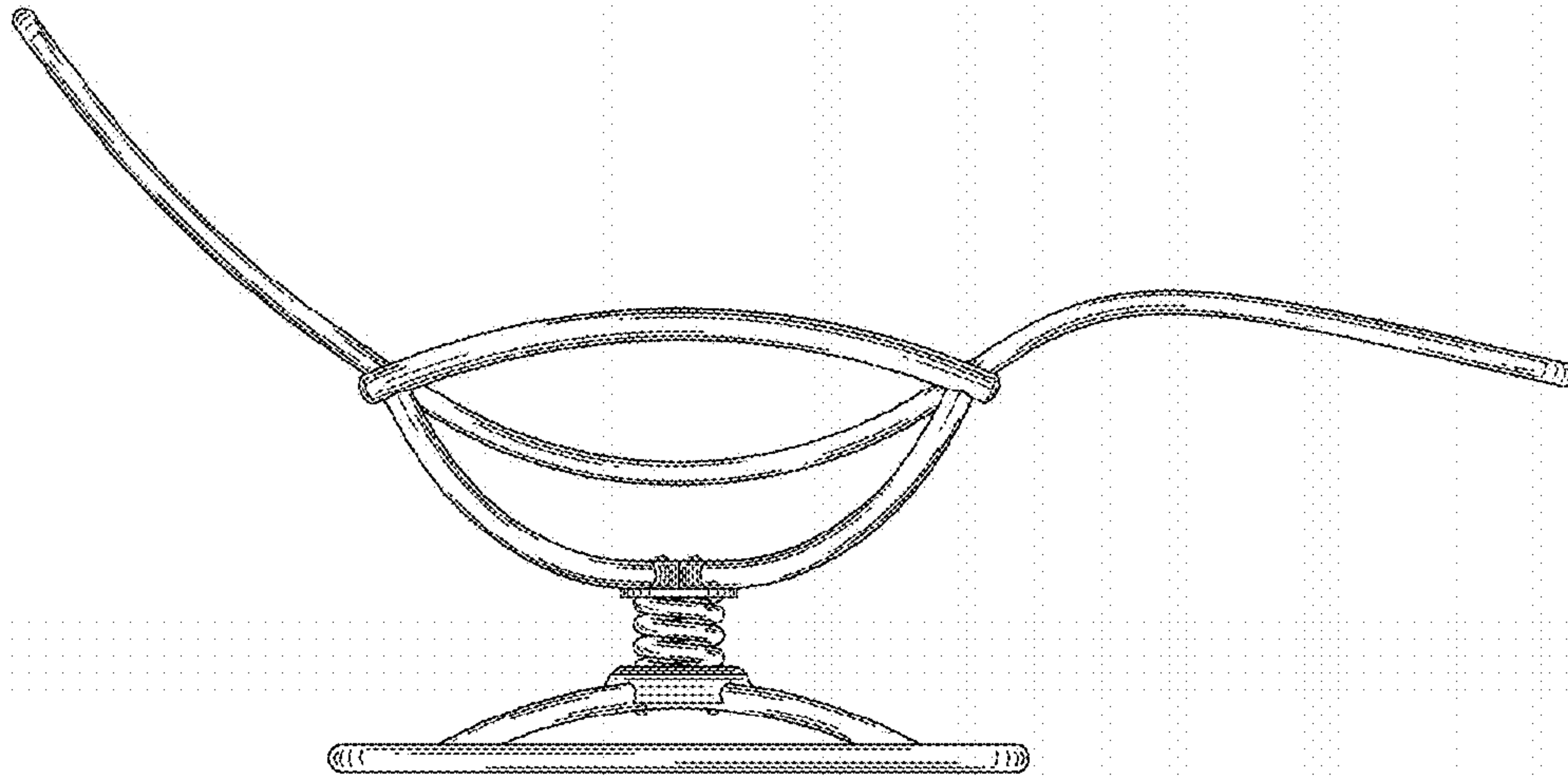


Fig. 6

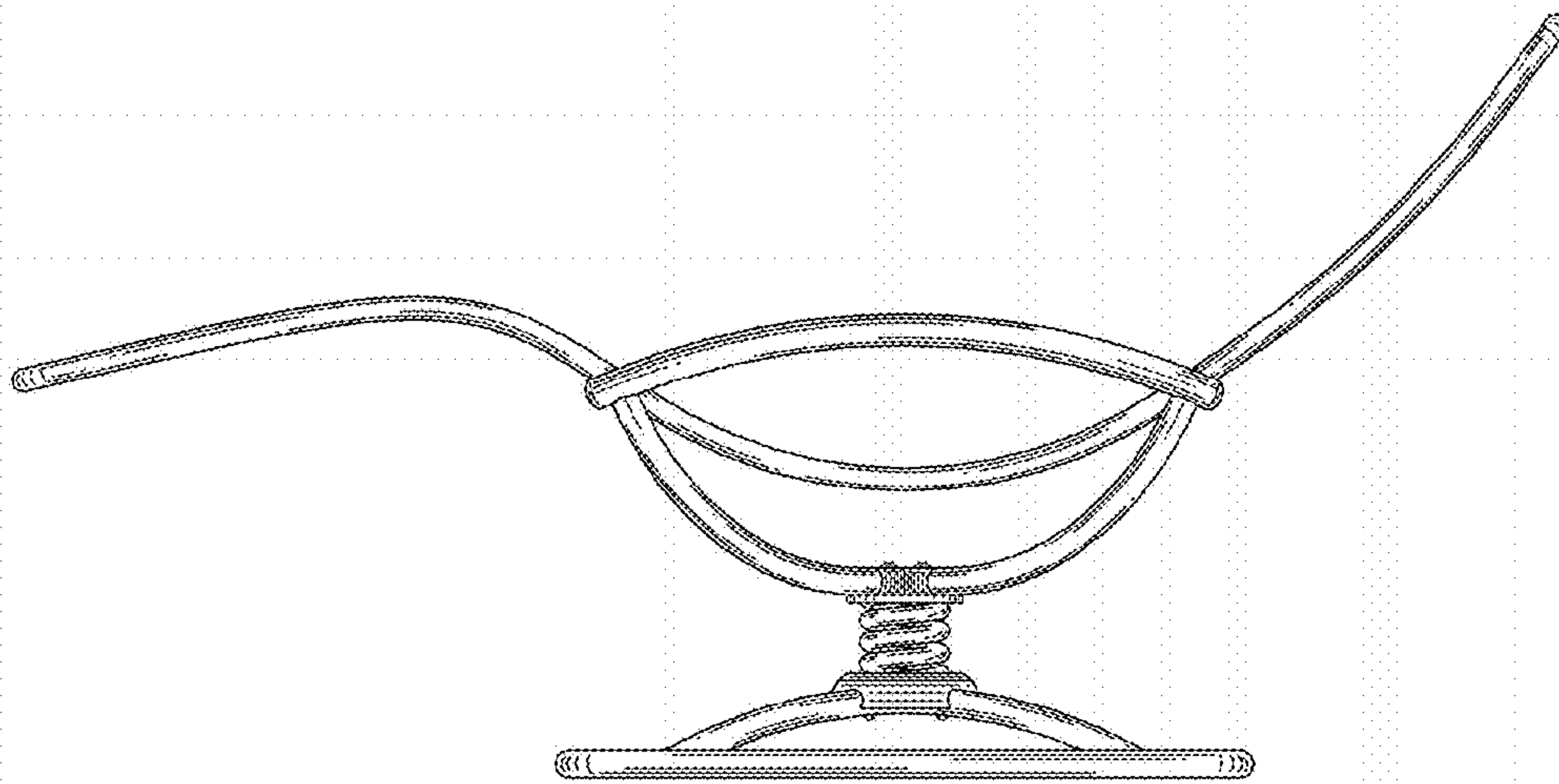


Fig. 7

