



US00D734947S

(12) **United States Design Patent**
Zwetzig et al.

(10) **Patent No.:** **US D734,947 S**
(45) **Date of Patent:** **** Jul. 28, 2015**

- (54) **SHOULDER BAG**
- (71) Applicant: **Thule Organization Solutions, Inc.**,
Longmont, CO (US)
- (72) Inventors: **Nathan Roger Zwetzig**, Westminster,
CO (US); **Diane Mary Erickson**,
Aurora, CO (US)
- (73) Assignee: **Thule Organization Solutions, Inc.**,
Longmont, CO (US)

| | | | |
|--------------|---------|---------------------|--------|
| 6,243,892 B1 | 6/2001 | Kelling | |
| D451,274 S | 12/2001 | Kegels | |
| D461,048 S | 8/2002 | Blanking | |
| D481,204 S * | 10/2003 | Rada | D3/279 |
| D488,926 S | 4/2004 | Domotor | |
| D510,660 S | 10/2005 | Suppangig | |
| D511,620 S | 11/2005 | Van Himbeeck | |
| D528,294 S * | 9/2006 | Higgins et al. | D3/242 |

(Continued)

(**) Term: **14 Years**

FOREIGN PATENT DOCUMENTS

| | | |
|----|----------------|--------|
| GB | 2385516 | 8/2003 |
| GB | 2393641 | 4/2004 |
| WO | WO 2004/030490 | 4/2004 |

(21) Appl. No.: **29/480,877**

OTHER PUBLICATIONS

(22) Filed: **Jan. 30, 2014**

Notice of Allowance for U.S. Appl. No. 29/432,002 mailed Sep. 30, 2013, 10 pages.

(Continued)

Related U.S. Application Data

(63) Continuation of application No. 29/441,555, filed on Jan. 7, 2013, now Pat. No. Des. 708,848.

Primary Examiner — Holly Baynham

(51) **LOC (10) Cl.** **03-01**

(74) *Attorney, Agent, or Firm* — Sheridan Ross P.C.

(52) **U.S. Cl.**
USPC **D3/318**

(58) **Field of Classification Search**
USPC D3/232–233, 240–243, 245–246, 318
CPC A45C 1/024; A45C 3/06
See application file for complete search history.

(57) **CLAIM**

The ornamental design for a shoulder bag, as shown and described.

DESCRIPTION

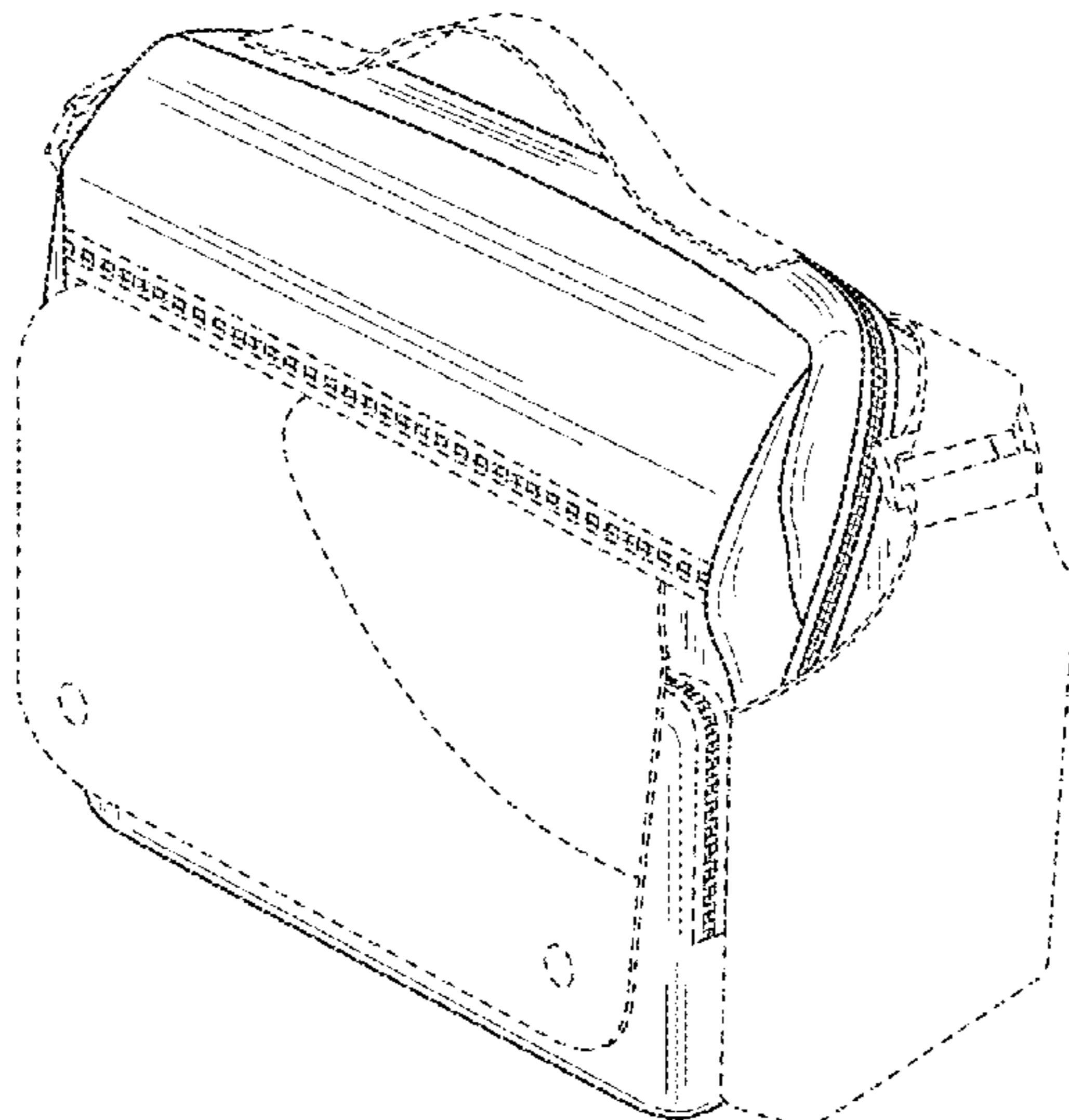
(56) **References Cited**

U.S. PATENT DOCUMENTS

| | | |
|-------------|---------|-----------------|
| 1,413,079 A | 4/1922 | Waid |
| D197,546 S | 2/1964 | Motokane |
| 4,018,369 A | 4/1977 | Jaeger |
| D249,189 S | 8/1978 | Stewart |
| 4,318,502 A | 3/1982 | Lowe et al. |
| 4,368,835 A | 1/1983 | Murphy |
| 4,420,103 A | 12/1983 | Douglass |
| 6,164,509 A | 12/2000 | Gausling et al. |
| D441,186 S | 5/2001 | Daboudet |

FIG. 1 is a front perspective view of the shoulder bag;
FIG. 2 is a front elevation view thereof;
FIG. 3 is a right side view thereof;
FIG. 4 is a left elevation view thereof;
FIG. 5 is a rear elevation view thereof;
FIG. 6 is a top plan view thereof; and,
FIG. 7 is a bottom plan view thereof.
The broken lines are provided for the purpose of illustrating environment and form no part of the claimed design.

1 Claim, 4 Drawing Sheets



(56)

References Cited

U.S. PATENT DOCUMENTS

| | | | | |
|-----------------|---|---------|-------------------|--------|
| D531,799 S | * | 11/2006 | Adams et al. | D3/285 |
| D550,448 S | | 9/2007 | Boje et al. | |
| D560,069 S | | 1/2008 | Greiner | |
| D561,467 S | | 2/2008 | Maier | |
| D561,468 S | | 2/2008 | Maier | |
| D567,505 S | | 4/2008 | Le Coq et al. | |
| D604,503 S | | 11/2009 | Patadia et al. | |
| D641,973 S | | 7/2011 | Quehl | |
| 7,971,764 B2 | | 7/2011 | Sabbah | |
| D642,791 S | | 8/2011 | Quehl | |
| D651,794 S | | 1/2012 | Hargens et al. | |
| 8,123,581 B2 | | 2/2012 | Aschauer | |
| D655,082 S | | 3/2012 | LaCorte | |
| D657,140 S | | 4/2012 | Guyon et al. | |
| 8,157,138 B2 | | 4/2012 | Leyendecker | |
| D699,942 S | | 2/2014 | Mather | |
| D699,943 S | | 2/2014 | Mather | |
| D699,944 S | | 2/2014 | Mather | |
| D703,431 S | | 4/2014 | Taylor | |
| 2006/0083445 A1 | | 4/2006 | Billingham | |
| 2008/0029562 A1 | | 2/2008 | Hawkins et al. | |

OTHER PUBLICATIONS

Official Action for U.S. Appl. No. 29/432,004 mailed Sep. 25, 2013, 8 pages.

Notice of Allowance for U.S. Appl. No. 29/432,006 mailed Dec. 20, 2013, 10 pages.

Notice of Allowance for U.S. Appl. No. 29/441,555 mailed Oct. 1, 2013, 7 pages.

Official Action for U.S. Appl. No. 29/441,556 mailed Oct. 1, 2013, 9 pages.

Notice of Allowance for U.S. Appl. No. 29/458,164 mailed Sep. 26, 2014, 5 pages.

U.S. Appl. No. 29/432,002, filed Sep. 12, 2012, Taylor.

U.S. Appl. No. 29/432,004, filed Sep. 12, 2012, Taylor.

U.S. Appl. No. 29/441,555, filed Jan. 7, 2013, Zwetzig.

U.S. Appl. No. 29/441,556, filed Jan. 7, 2013, Zwetzig.

U.S. Appl. No. 29/459,581, filed Jul. 1, 2013, Zwetzig.

U.S. Appl. No. 14/149,662, filed Jan. 7, 2014, Zwetzig.

Notice of Allowance for U.S. Appl. No. 29/441,556, mailed Feb. 14, 2014, 9 pages.

* cited by examiner

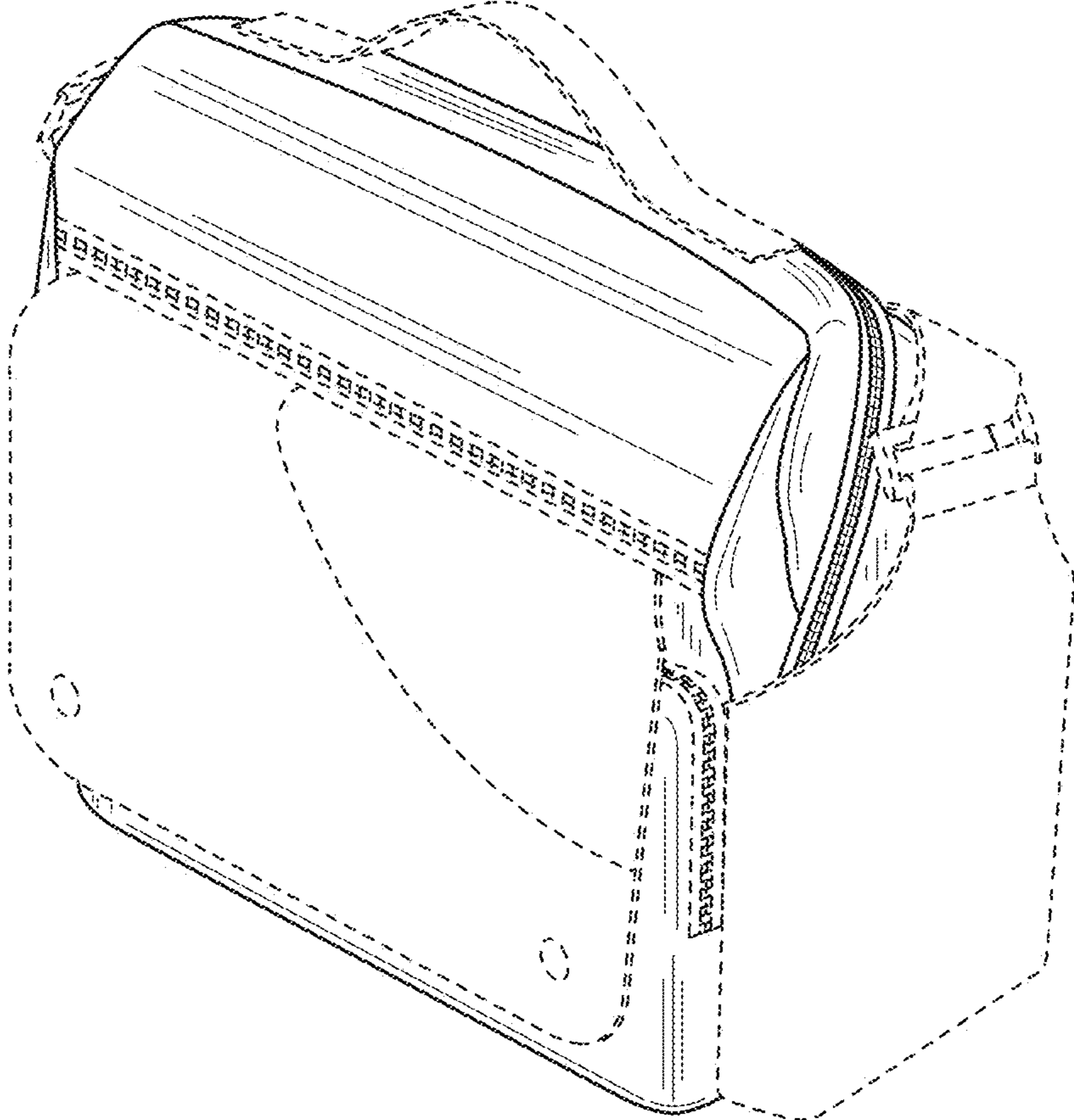


FIG. 1

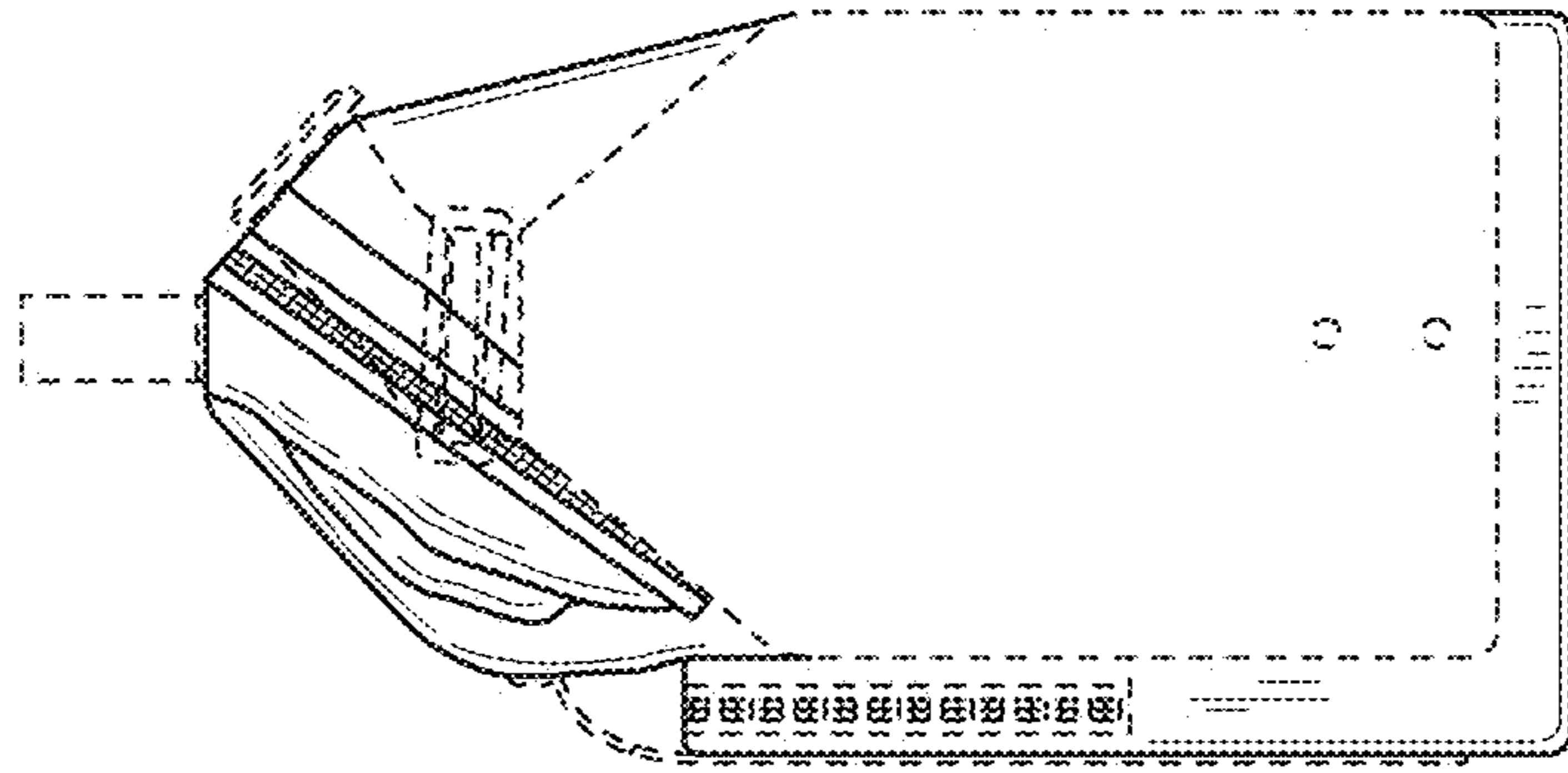


FIG.2

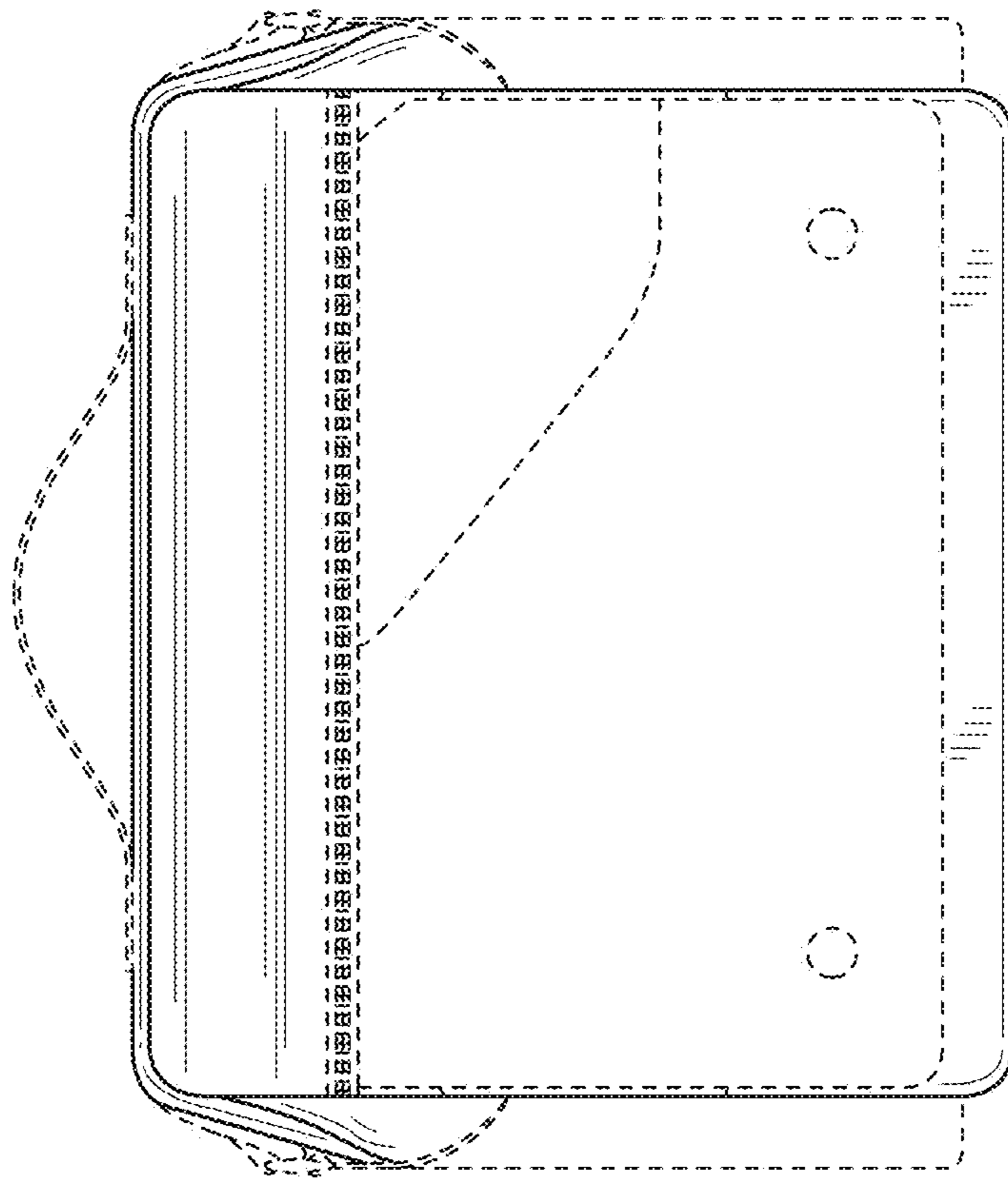


FIG.3

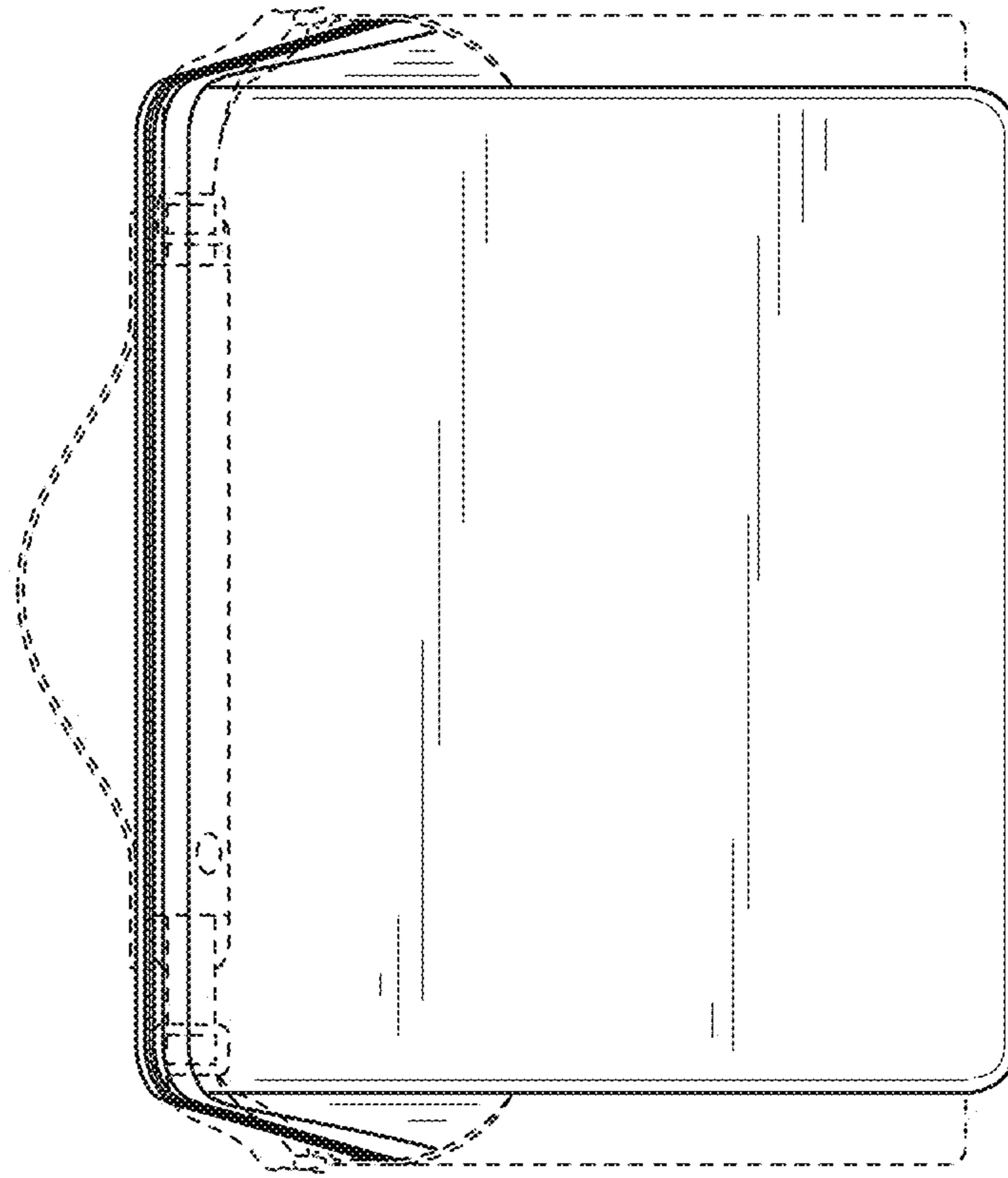


FIG.5

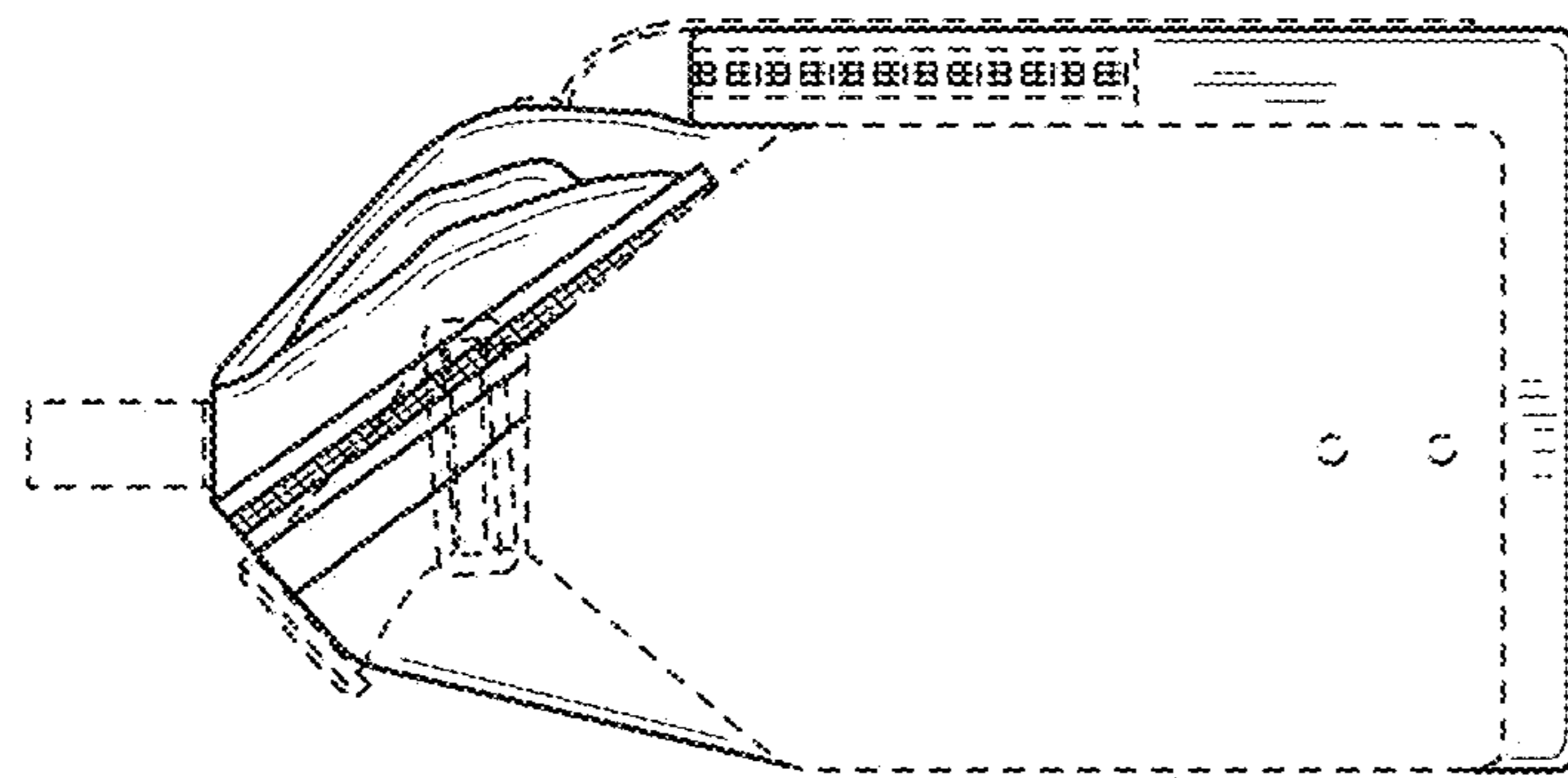


FIG.4

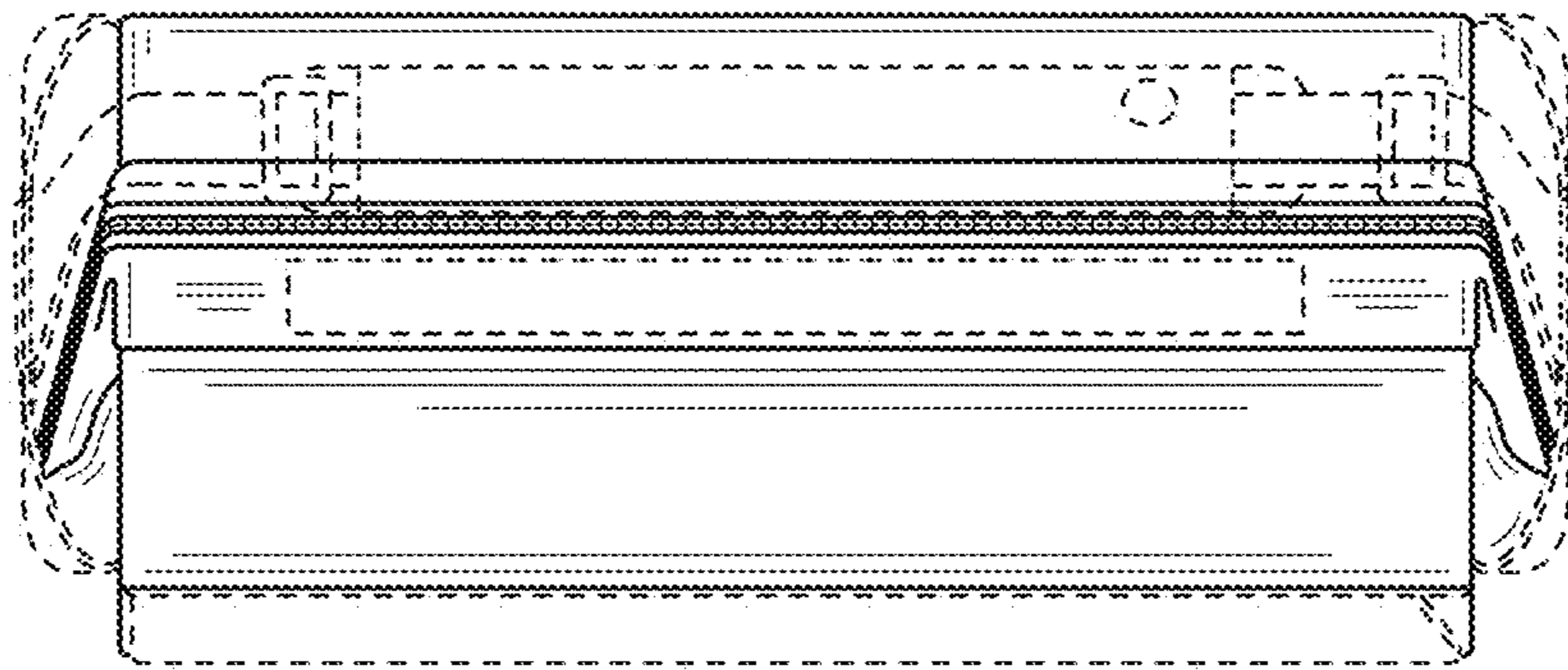


FIG. 6

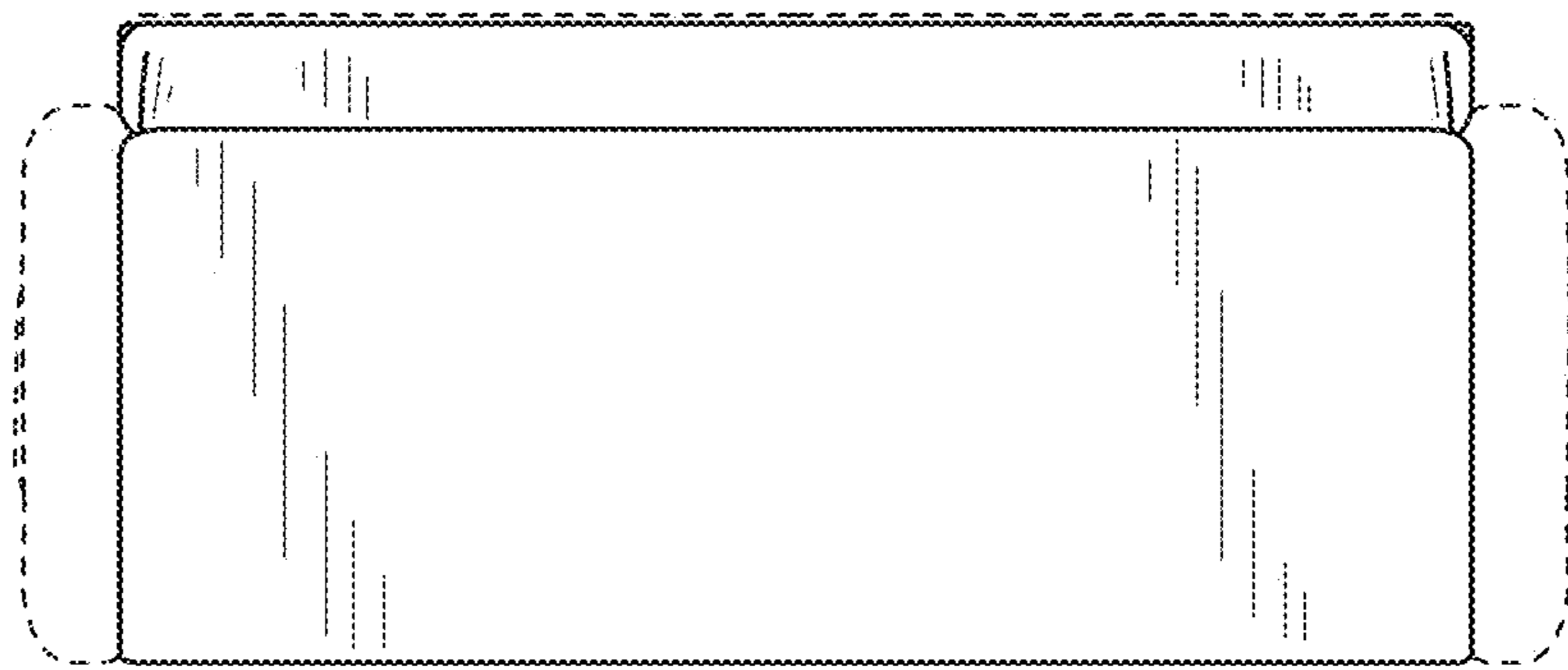


FIG. 7