



US00D734943S

(12) **United States Design Patent**
Gilbert et al.

(10) **Patent No.:** **US D734,943 S**

(45) **Date of Patent:** **** Jul. 28, 2015**

(54) **TOTE FOR BOTTLES**

(71) Applicants: **Leslie Gilbert**, West Hollywood, CA
(US); **David Howard**, West Hollywood,
CA (US)

(72) Inventors: **Leslie Gilbert**, West Hollywood, CA
(US); **David Howard**, West Hollywood,
CA (US)

(**) Term: **14 Years**

(21) Appl. No.: **29/480,305**

(22) Filed: **Jan. 24, 2014**

(51) **LOC (10) Cl.** **03-01**

(52) **U.S. Cl.**
USPC **D3/229**

(58) **Field of Classification Search**
USPC D3/229, 202; 224/148.4, 148.6;
D7/605, 607-608, 619.1, 619.2,
D7/624.2-624.3; 215/11.6, 395;
220/592.24, 739, 754, 903

See application file for complete search history.

(56) **References Cited**

U.S. PATENT DOCUMENTS

7,798,380	B2 *	9/2010	Chekroune	224/148.4
D687,222	S *	8/2013	Willows et al.	D3/229
D691,790	S *	10/2013	Denzinger	D3/202
8,573,458	B1 *	11/2013	Hamilton	224/674

* cited by examiner

Primary Examiner — Catheri Oliver-Garcia

(74) *Attorney, Agent, or Firm* — Lawrence S. Cohen

(57) **CLAIM**

The ornamental design for a tote for bottles, as shown and described.

DESCRIPTION

FIG. 1 is a perspective view showing an embodiment of our new design with a bottle in phantom lines and not being part of the claimed invention;

FIG. 2 is a rear view thereof;

FIG. 3 is a left side view thereof;

FIG. 4 is a front view thereof;

FIG. 5 is a right side view thereof;

FIG. 6 is a top view thereof;

FIG. 7 is a bottom view thereof.

FIG. 8 is a perspective view of another embodiment of our new design with a bottle in phantom lines and not being part of the claimed invention:

FIG. 9 is a rear view thereof;

FIG. 10 is a left side view thereof;

FIG. 11 is a front view thereof;

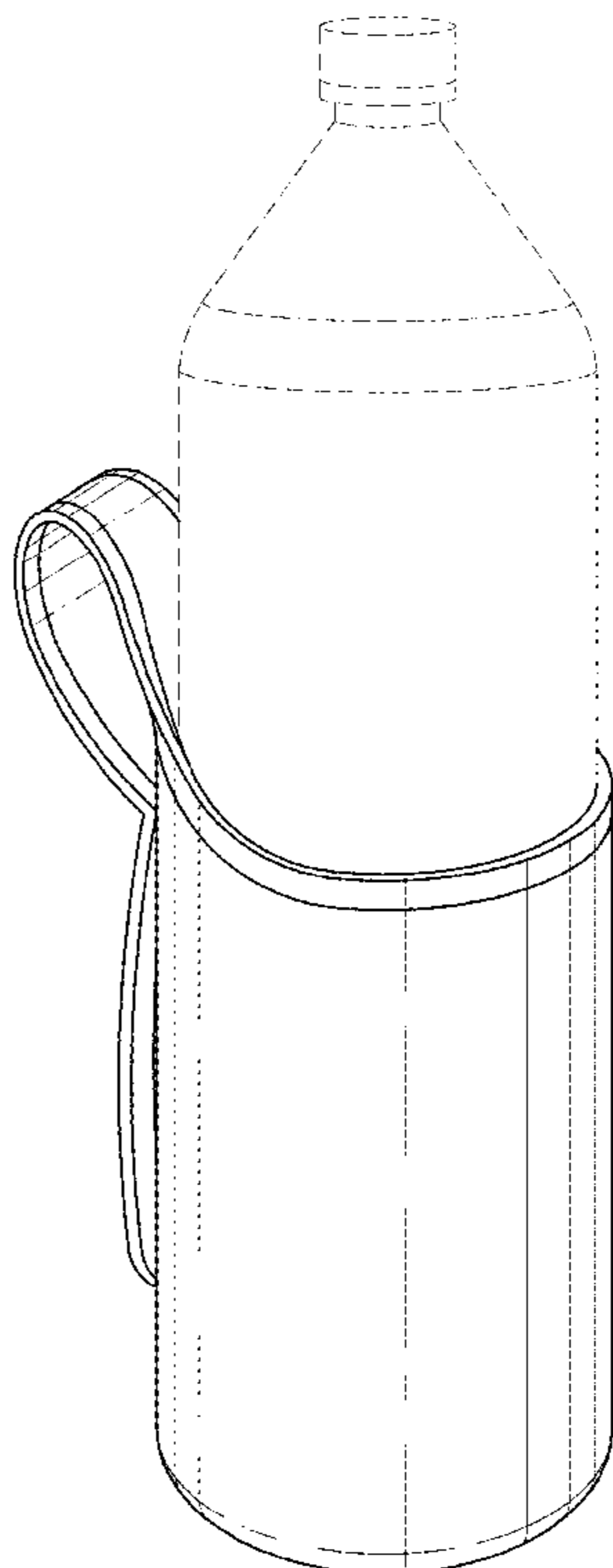
FIG. 12 is a right side view thereof;

FIG. 13 is a top view thereof; and,

FIG. 14 is a bottom view thereof.

Design of a holder for carrying bottles.

1 Claim, 8 Drawing Sheets



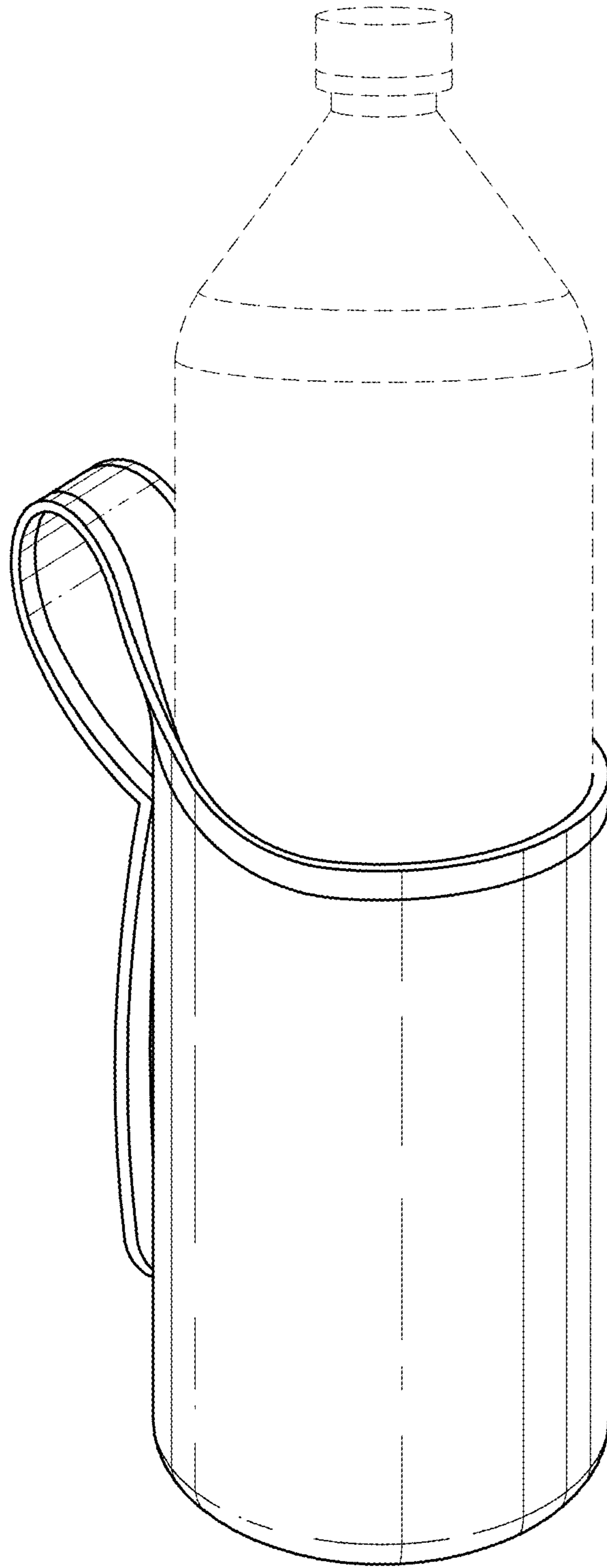


FIG. 1

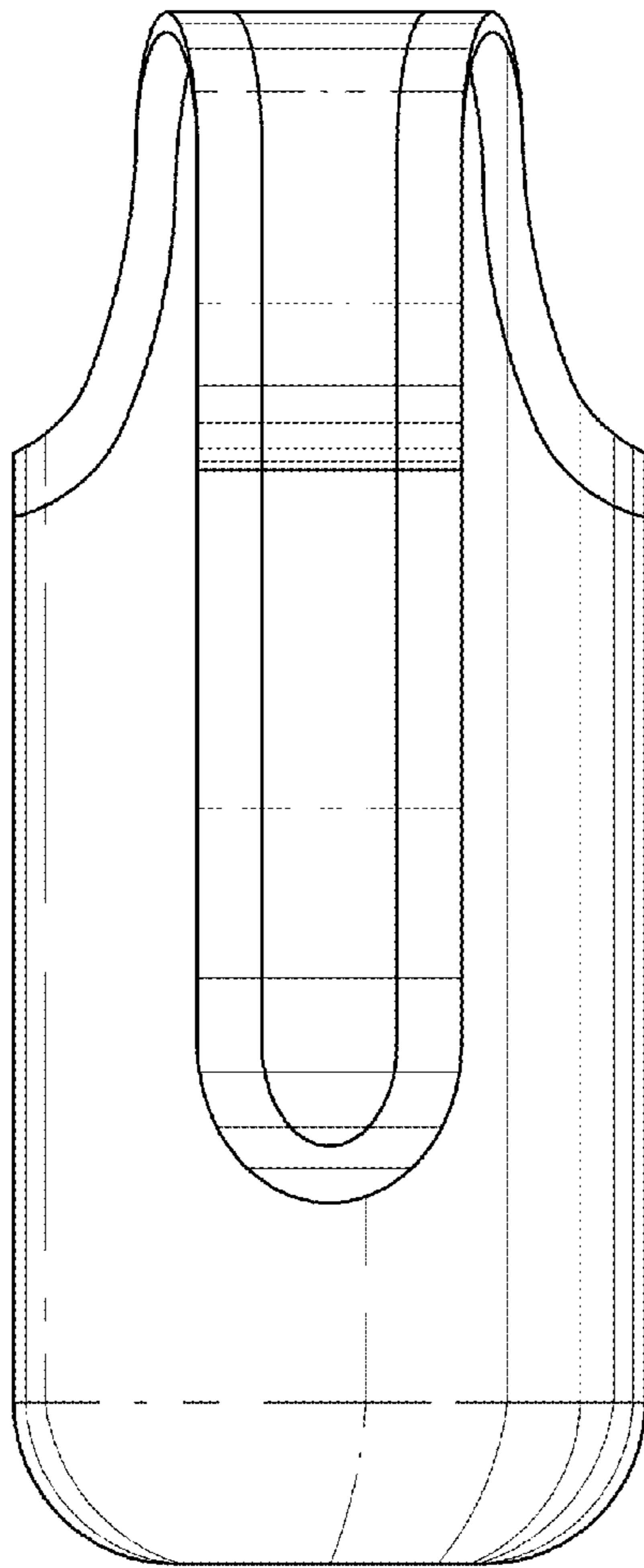


FIG. 2

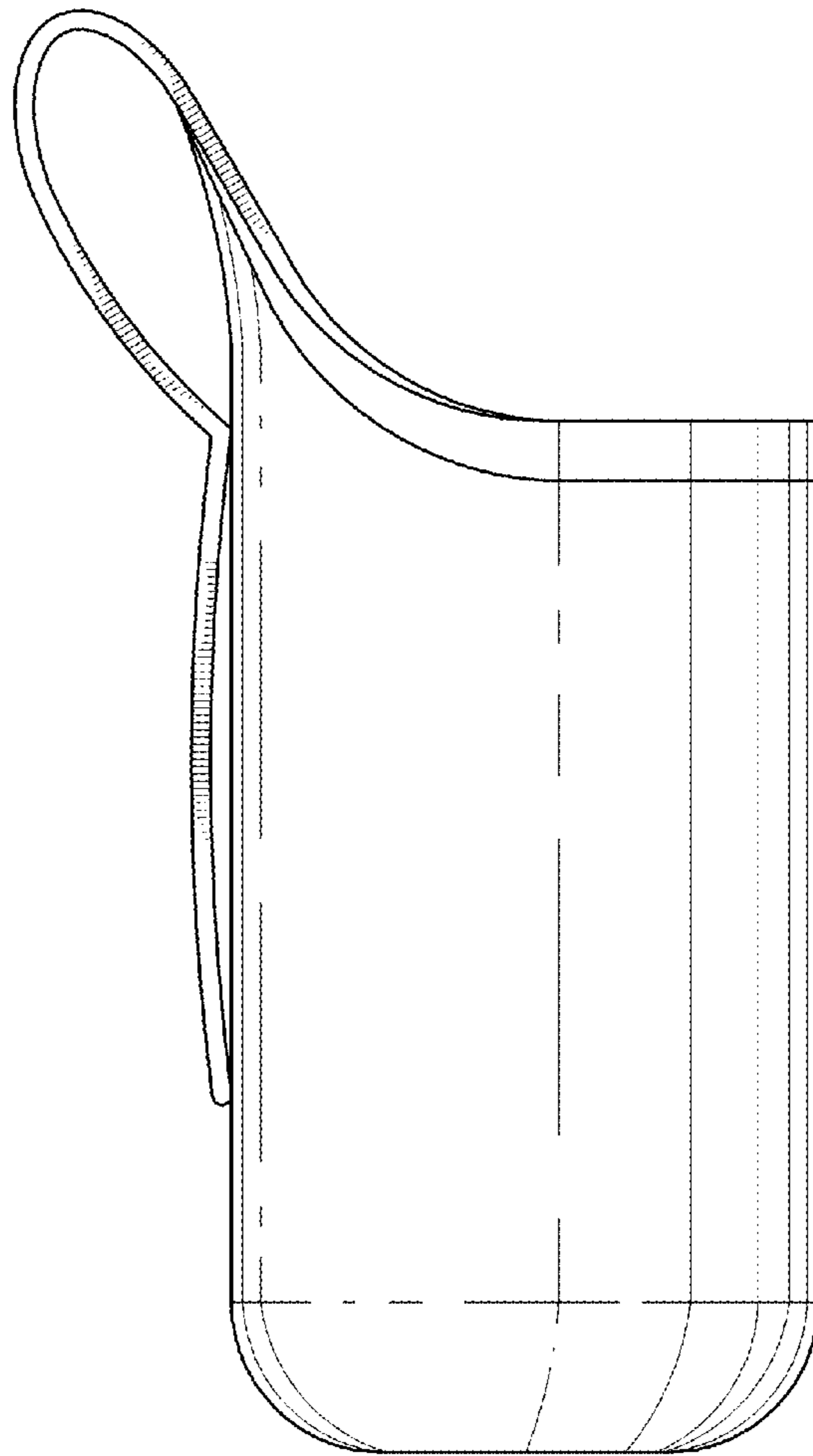


FIG. 3

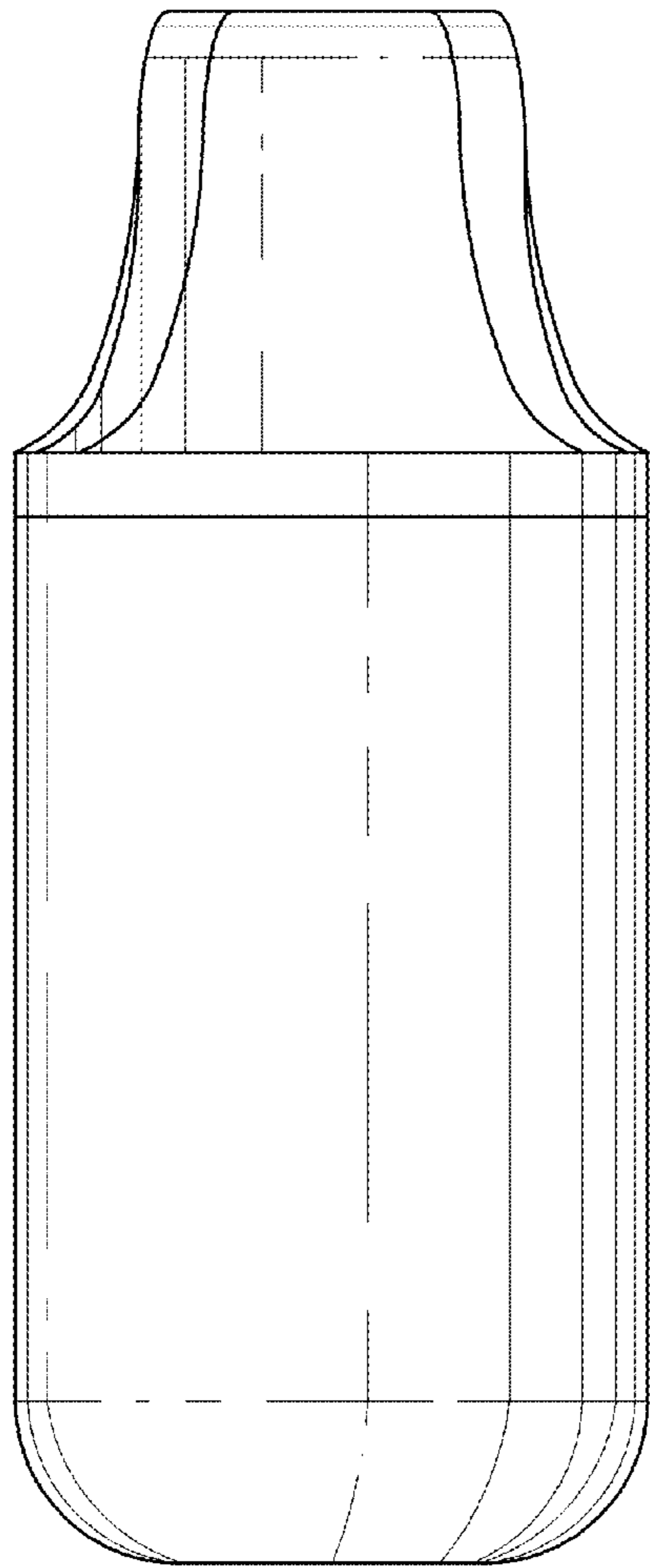


FIG. 4

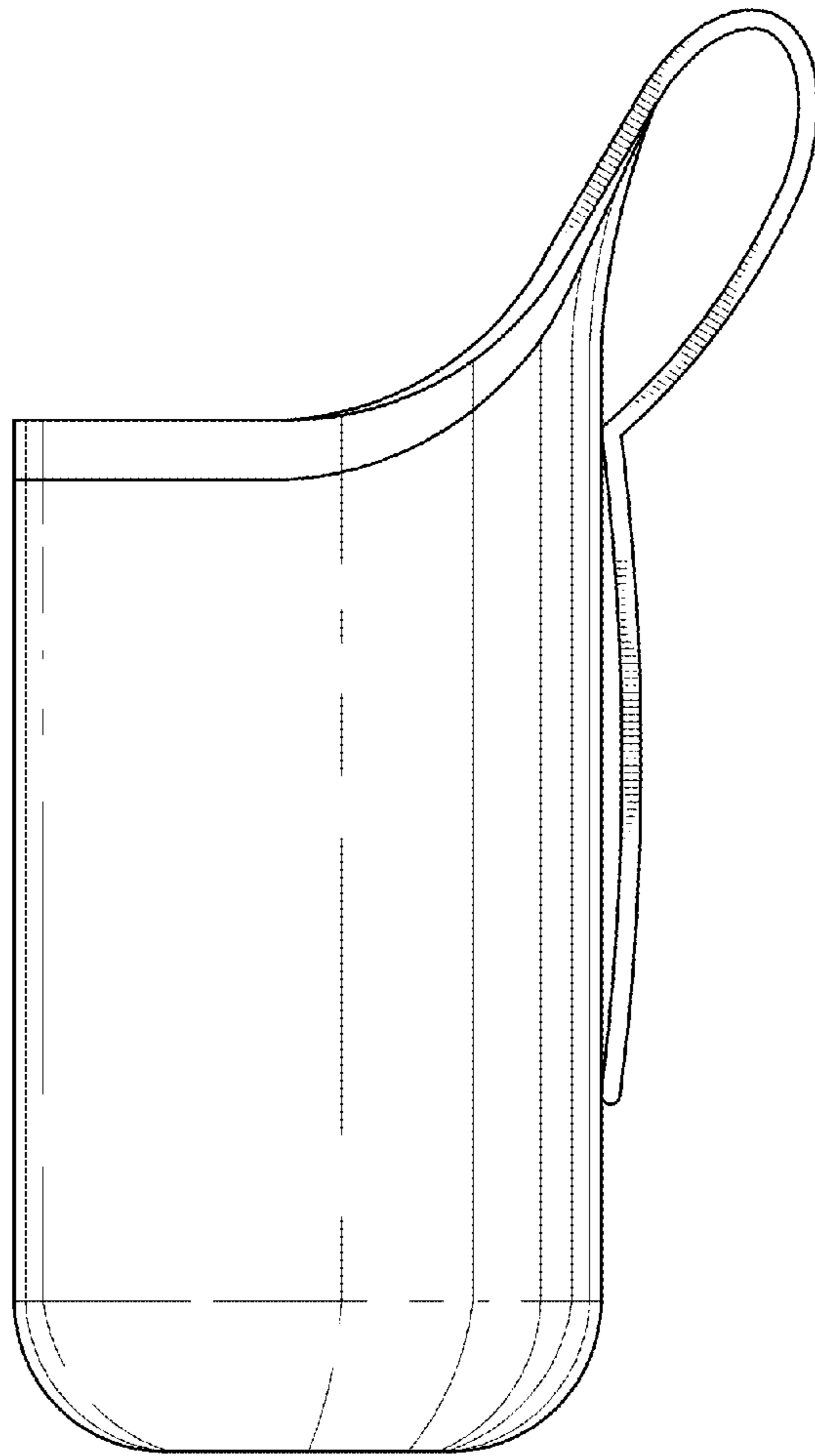


FIG. 5

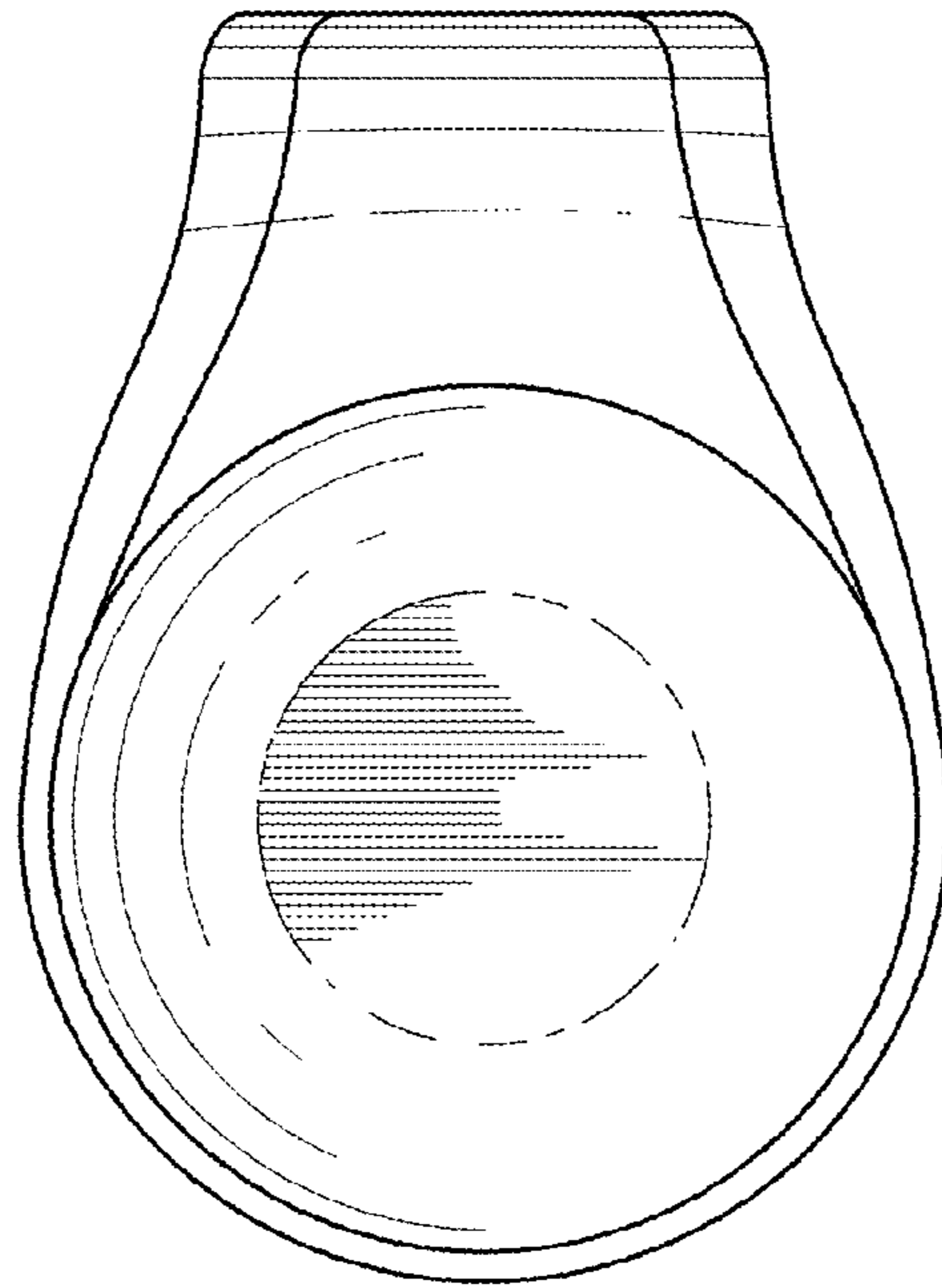


FIG. 6

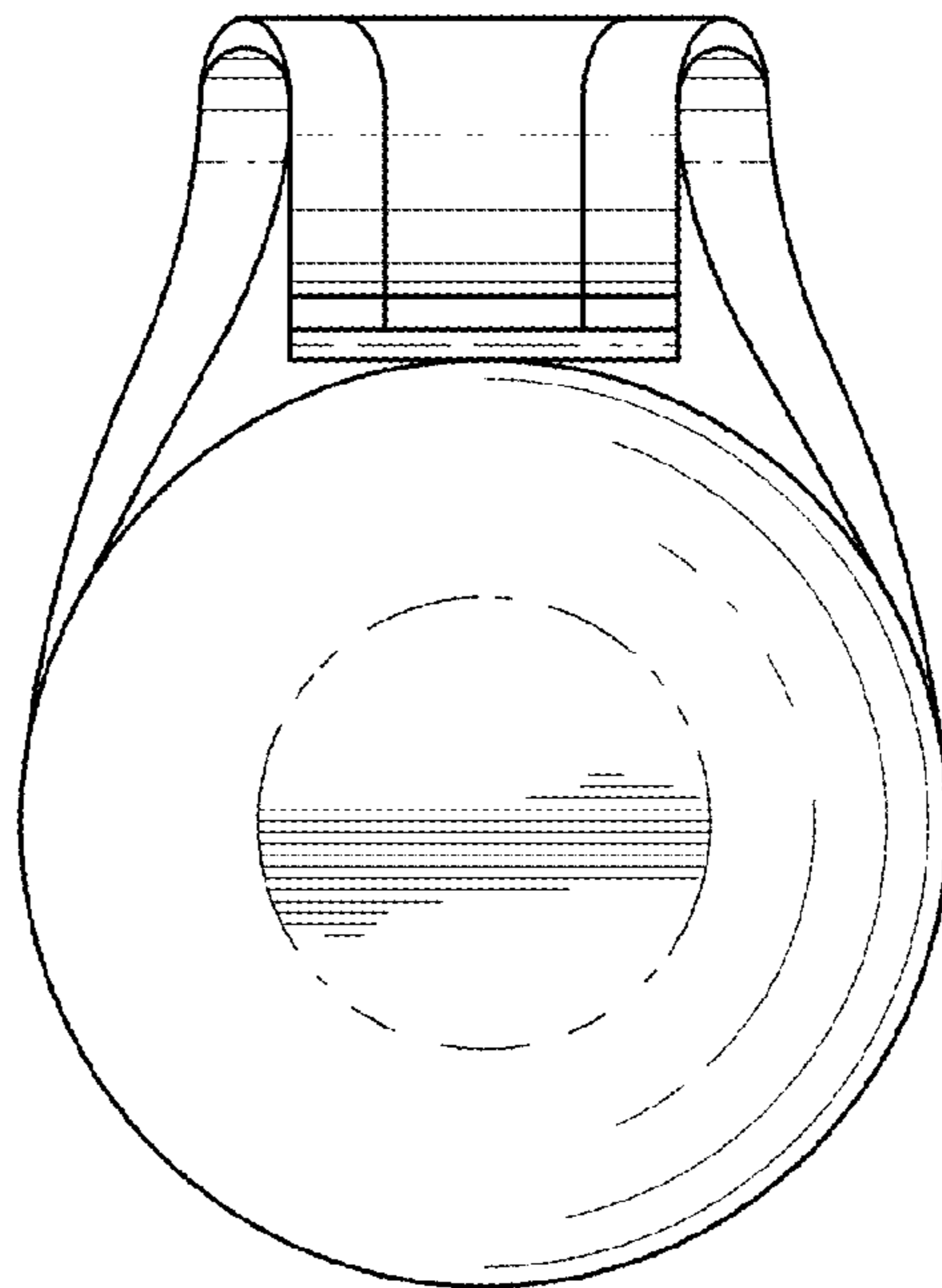


FIG. 7

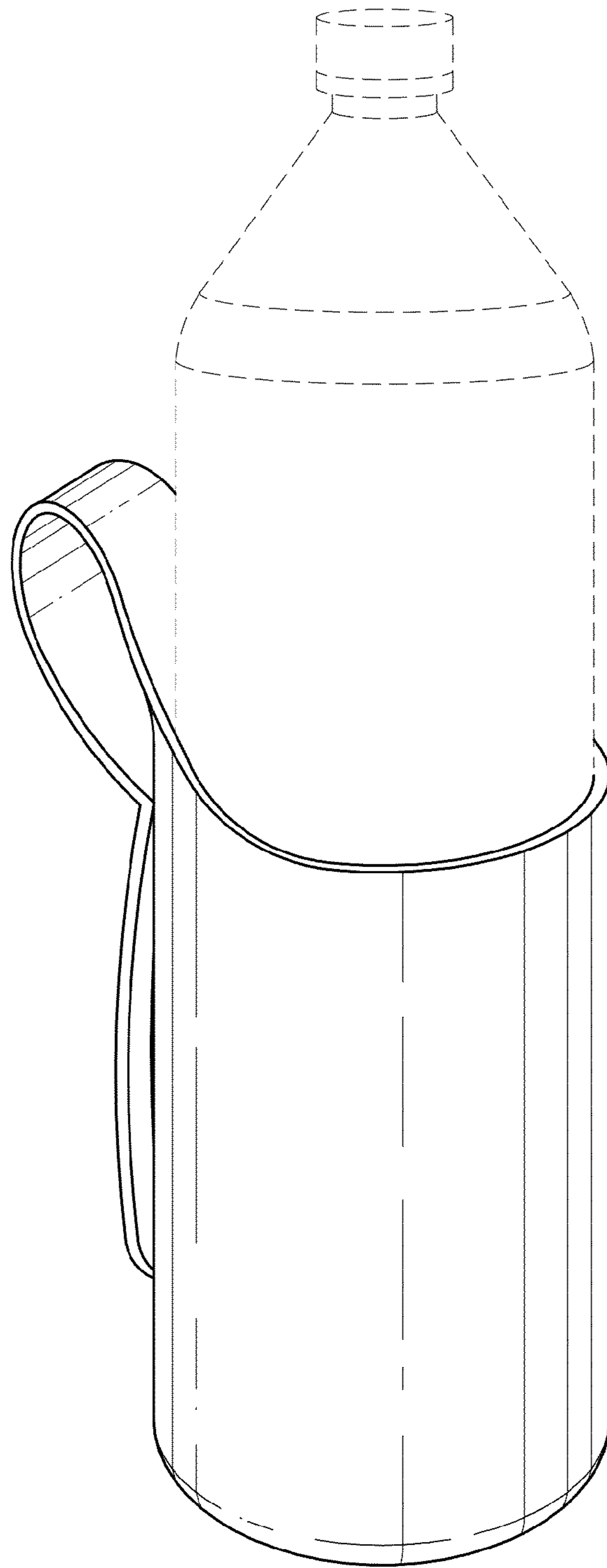


FIG. 8

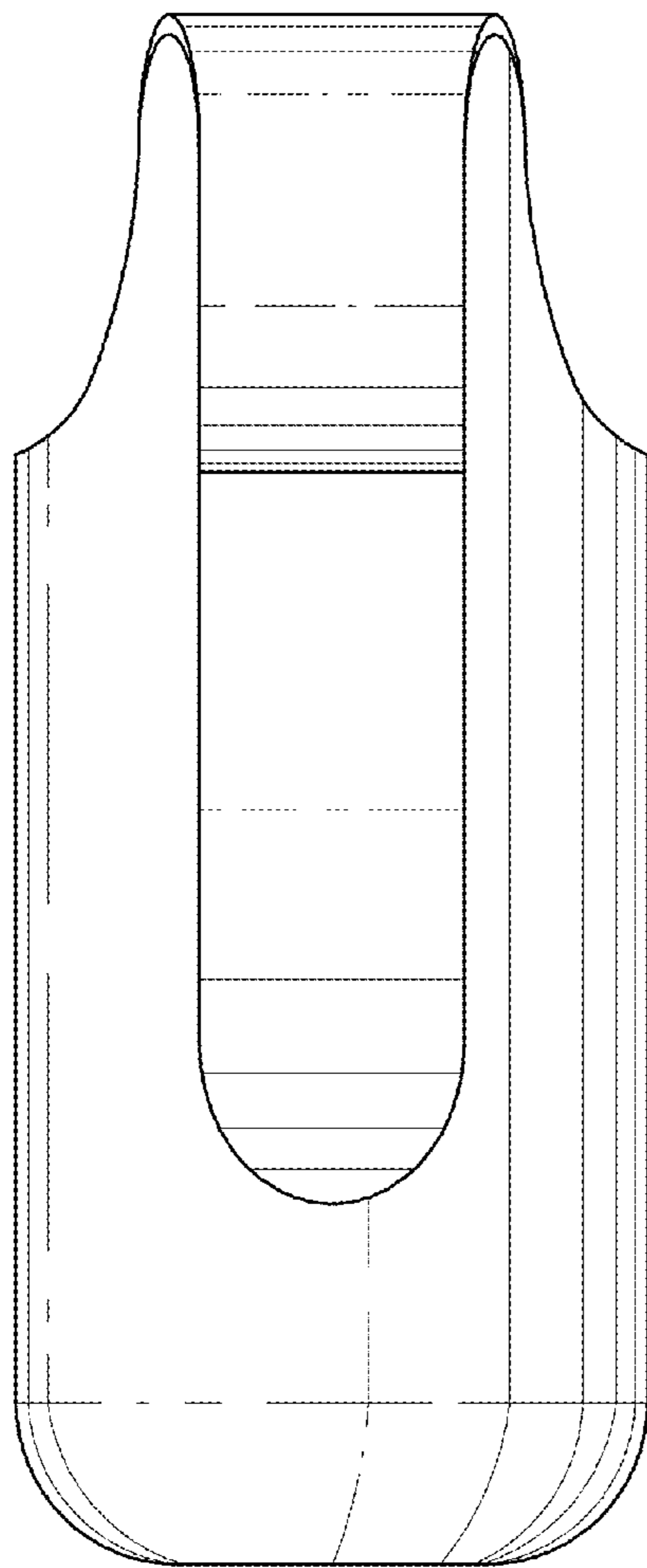


FIG. 9

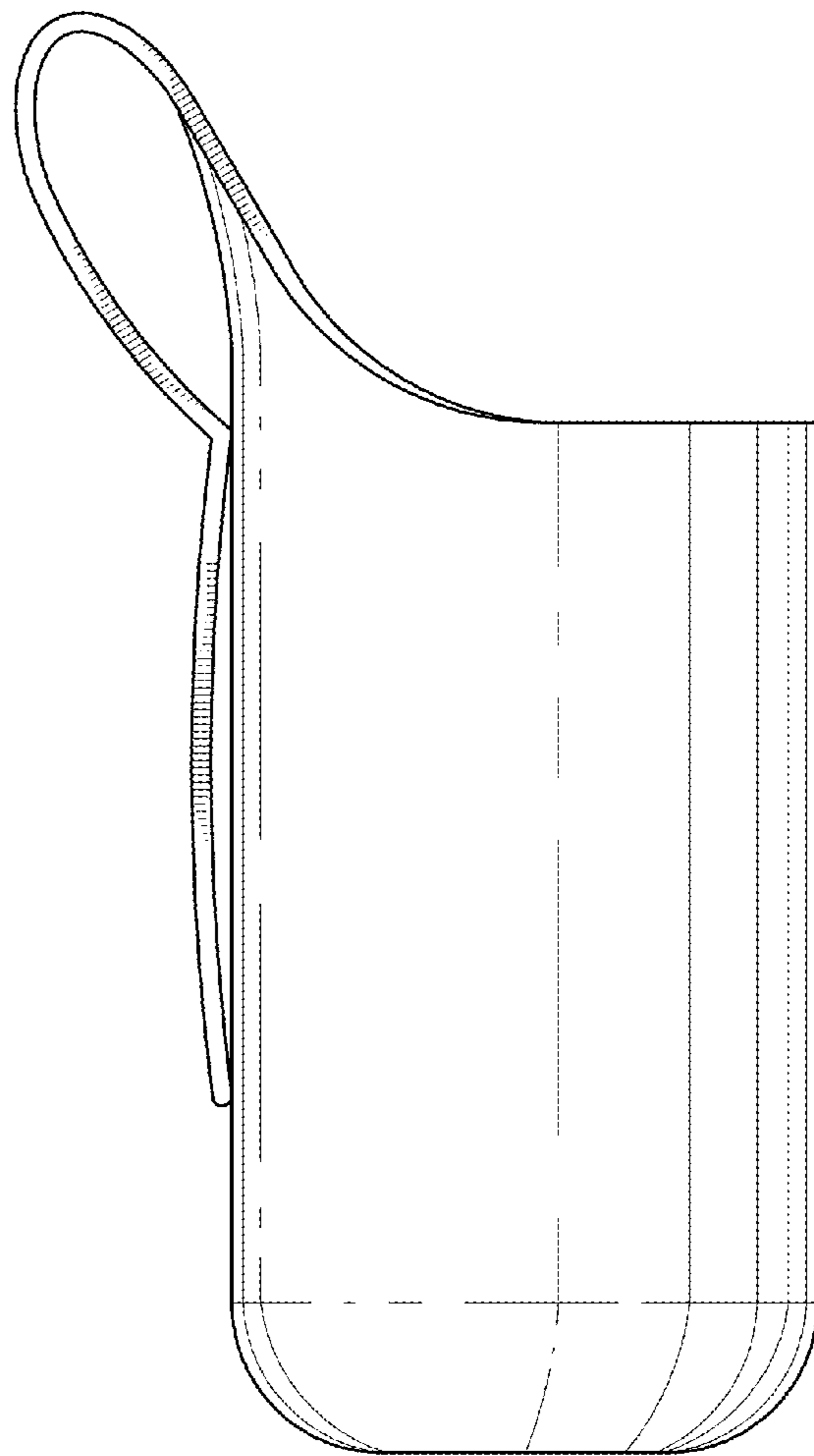


FIG. 10

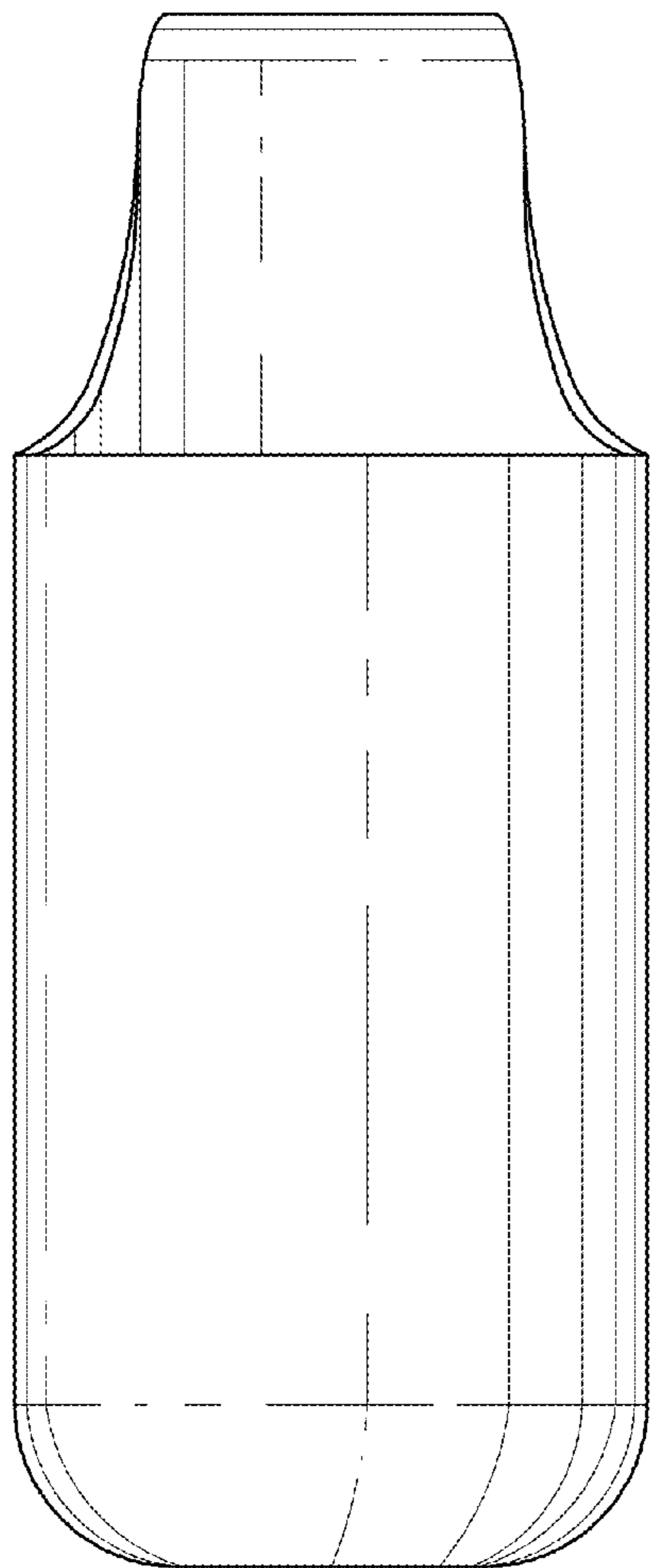


FIG. 11

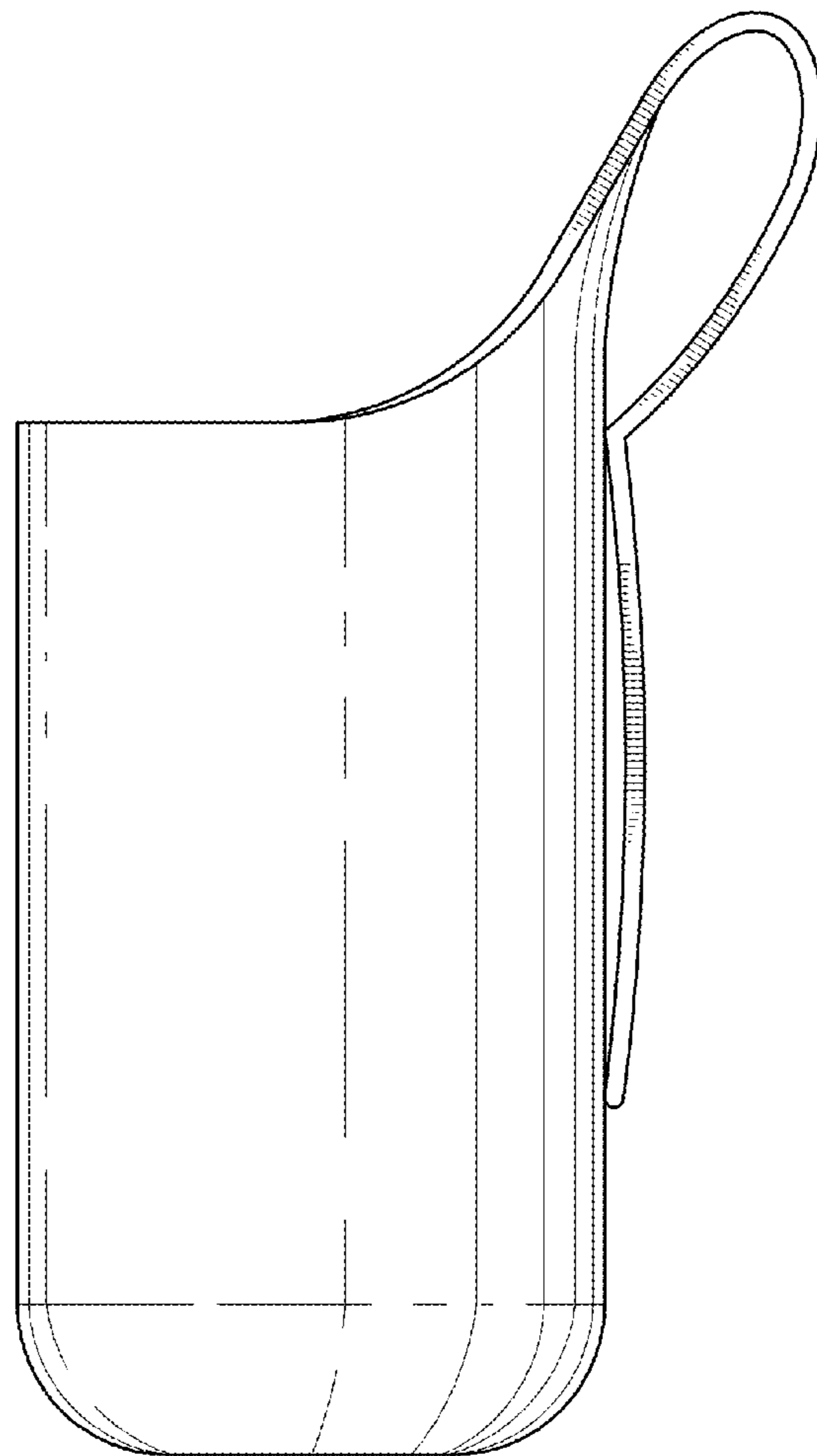


FIG. 12

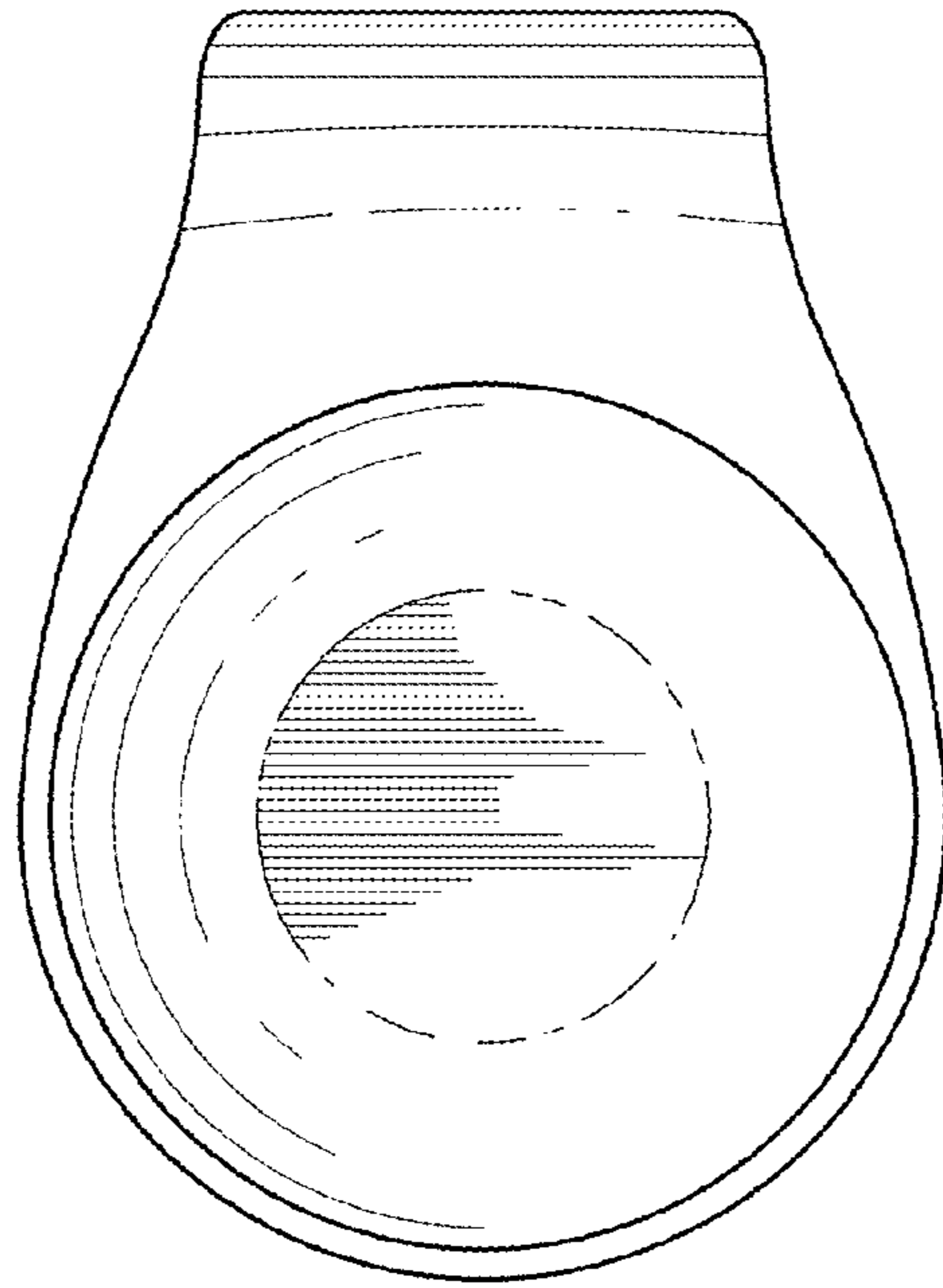


FIG. 13

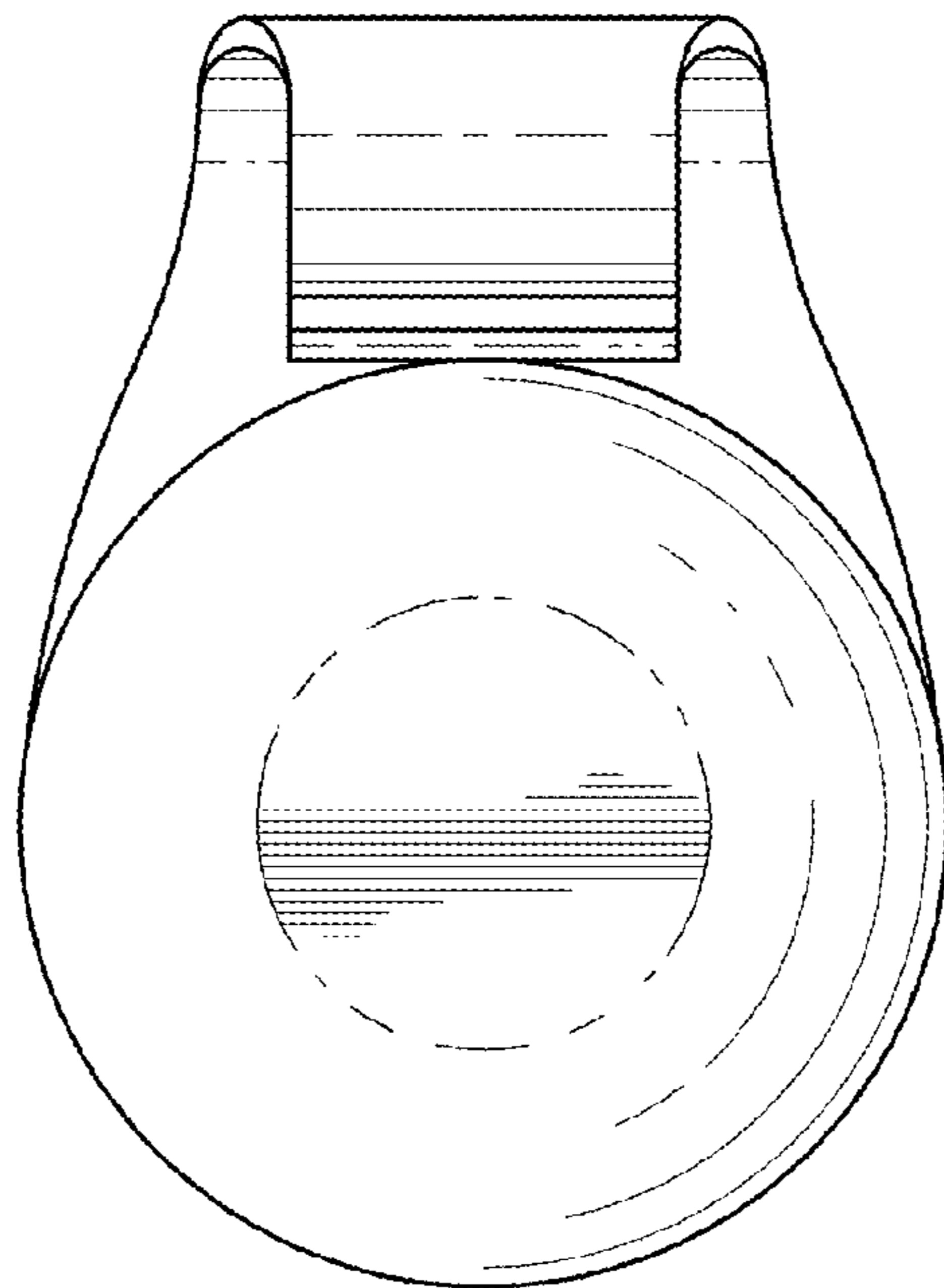


FIG. 14