



US00D734933S

(12) **United States Design Patent**
Barr

(10) **Patent No.:** **US D734,933 S**
(45) **Date of Patent:** **** Jul. 28, 2015**

(54) **RIGID SHOE INSERT WITH RAISED HEEL**

(71) Applicant: **Erik Barr**, Chapel Hill, NC (US)

(72) Inventor: **Erik Barr**, Chapel Hill, NC (US)

(**) Term: **14 Years**

(21) Appl. No.: **29/469,911**

(22) Filed: **Oct. 16, 2013**

Related U.S. Application Data

(63) Continuation-in-part of application No. 14/037,277, filed on Sep. 25, 2013, and a continuation-in-part of application No. 14/037,416, filed on Sep. 26, 2013.

(51) **LOC (10) Cl.** **02-04**

(52) **U.S. Cl.**
USPC **D2/961**

(58) **Field of Classification Search**
USPC D2/896, 925, 946, 947, 949-951, 961, D2/968; 36/31, 43, 44, 71, 145, 147, 148, 36/149, 150, 151, 152, 153, 154, 155, 166, 36/169, 173, 174, 180
See application file for complete search history.

(56) **References Cited**

U.S. PATENT DOCUMENTS

1,055,768 A * 3/1913 Levee et al. 36/37
D284,901 S * 8/1986 Tilles D2/961

D316,929 S * 5/1991 Ullman D2/961
D396,138 S * 7/1998 Roy D2/961
D402,036 S * 12/1998 Parsley et al. D24/192
D619,347 S * 7/2010 Raimondo D2/961

FOREIGN PATENT DOCUMENTS

KR 300618610 * 10/2011

* cited by examiner

Primary Examiner — Derrick Holland

Assistant Examiner — Janice Lim

(74) *Attorney, Agent, or Firm* — Megan E. Lyman

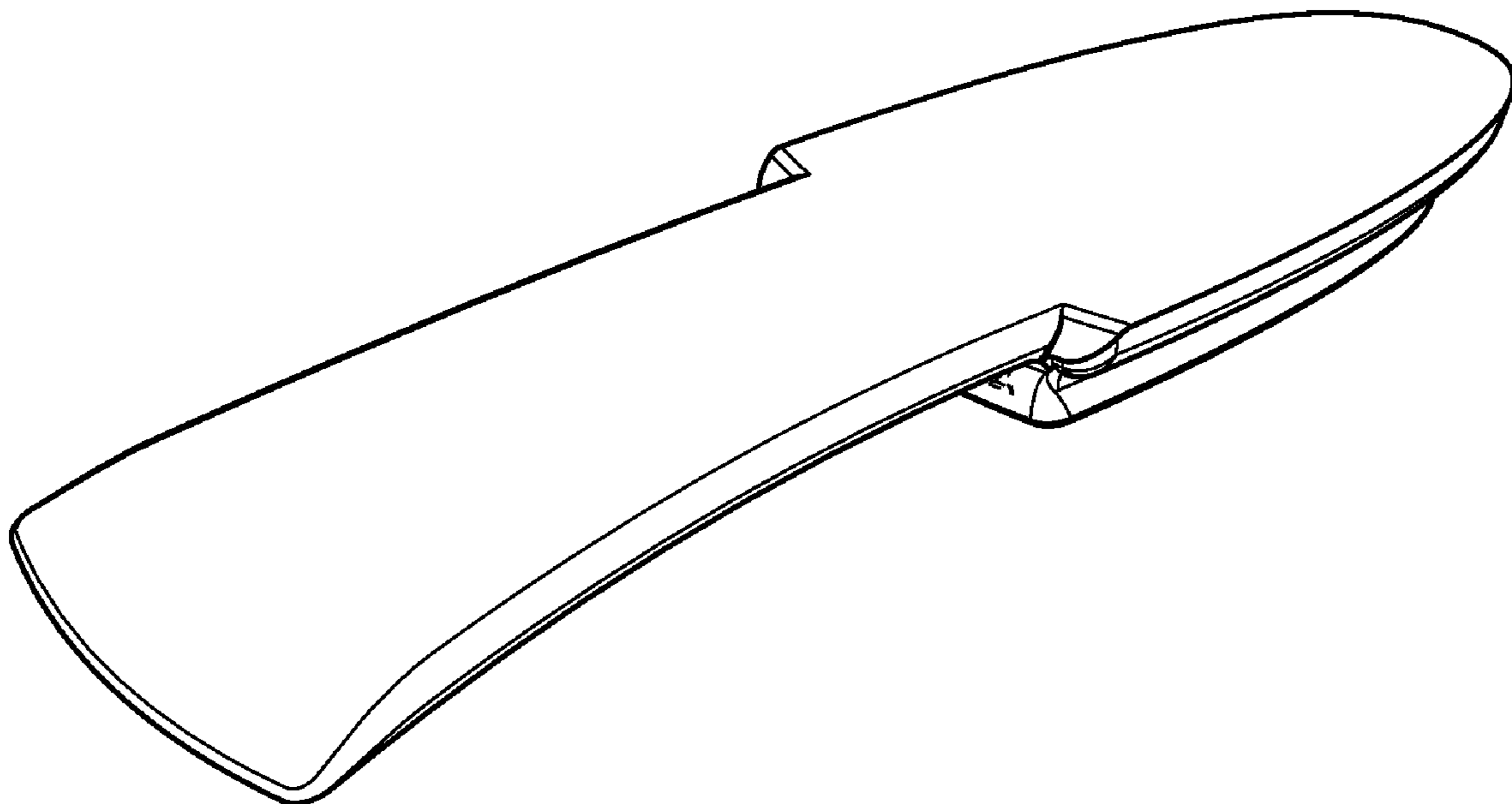
(57) **CLAIM**

The ornamental design for a rigid shoe insert with raised heel, as shown and described.

DESCRIPTION

FIG. 1 is a top perspective-view of rigid shoe insert with raised heel, showing my new design; FIG. 2 is a top view thereof; FIG. 3 is a side view thereof; FIG. 4 is a front elevation-view thereof; and, FIG. 5 is a rear elevation view thereof. The broken line portions of FIGS. 1 and 3 are included to show unclaimed subject matter only and form no part of the claimed design.

1 Claim, 2 Drawing Sheets



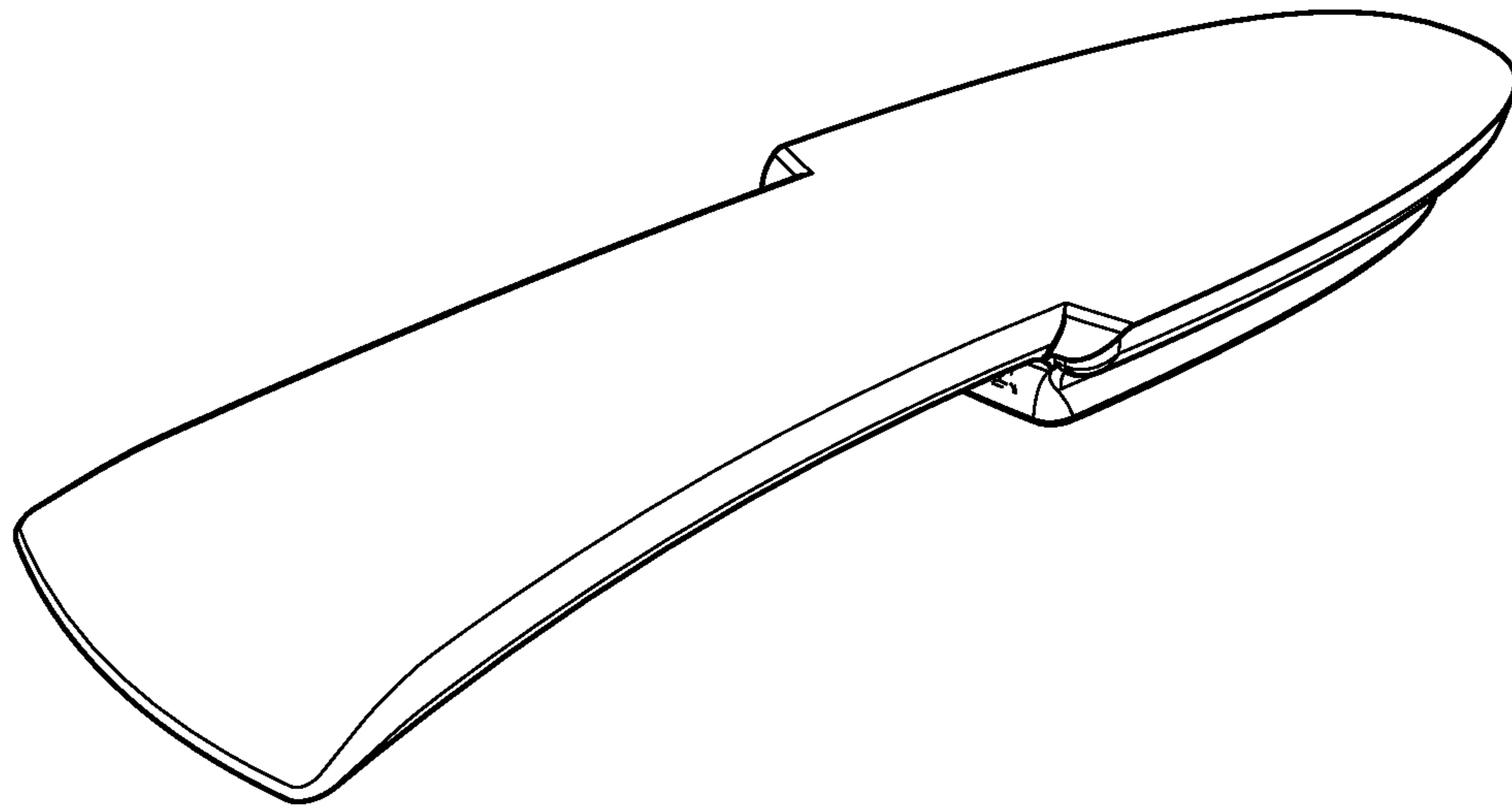


Fig. 1

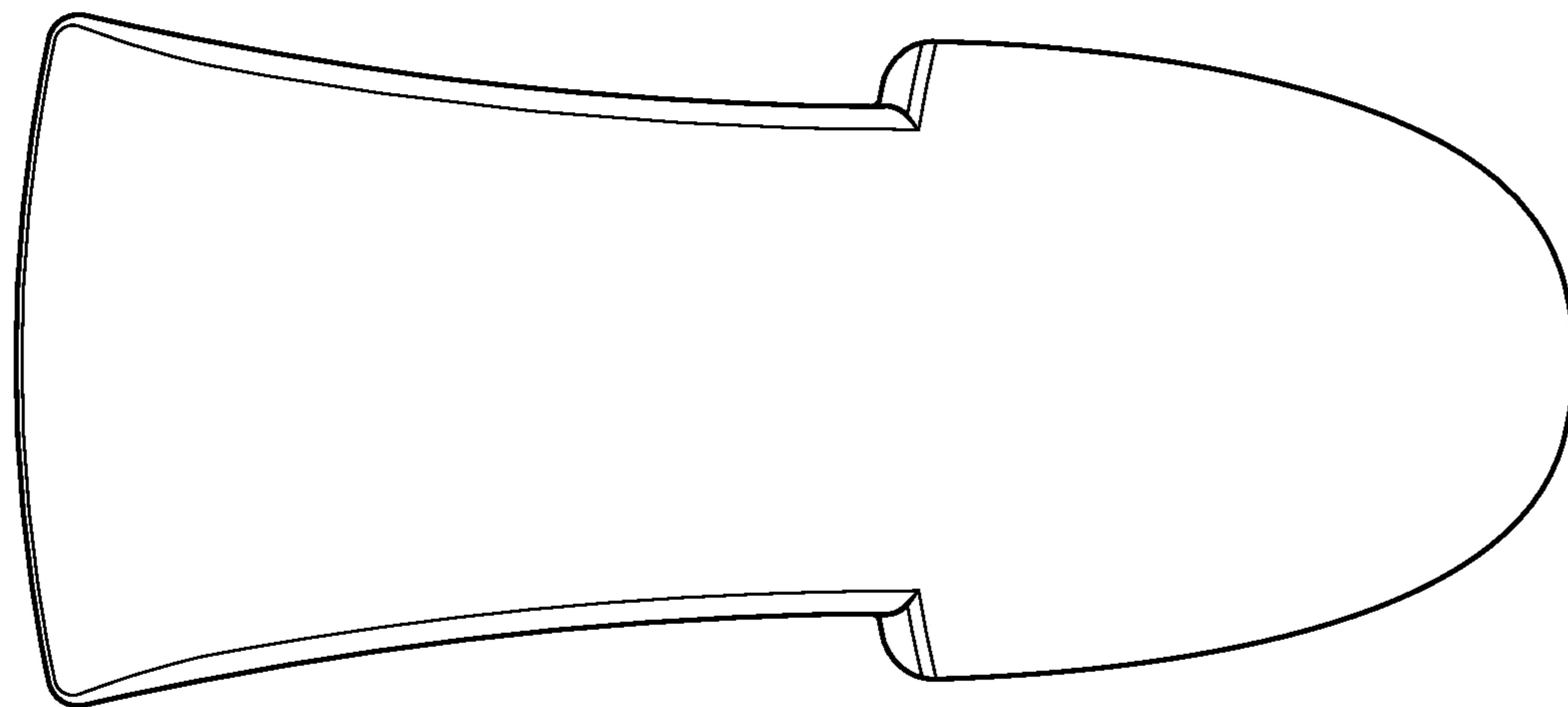


Fig. 2



Fig. 3

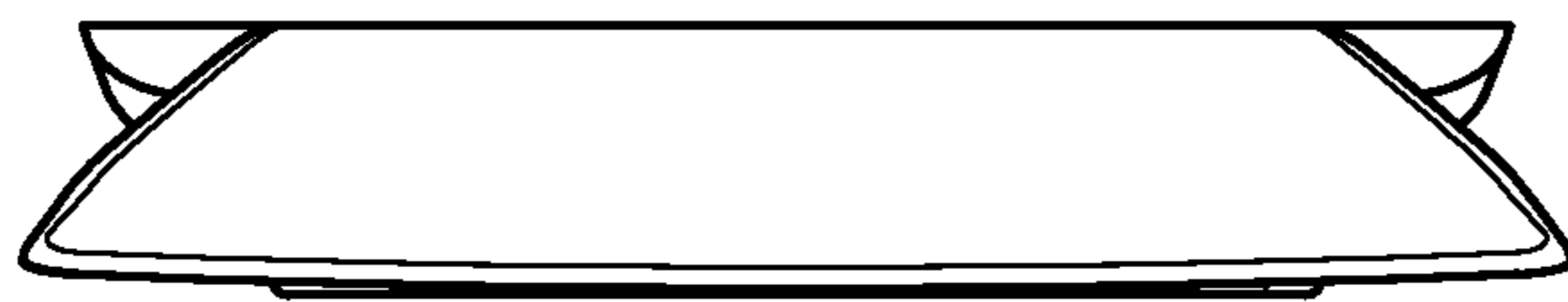


Fig. 4

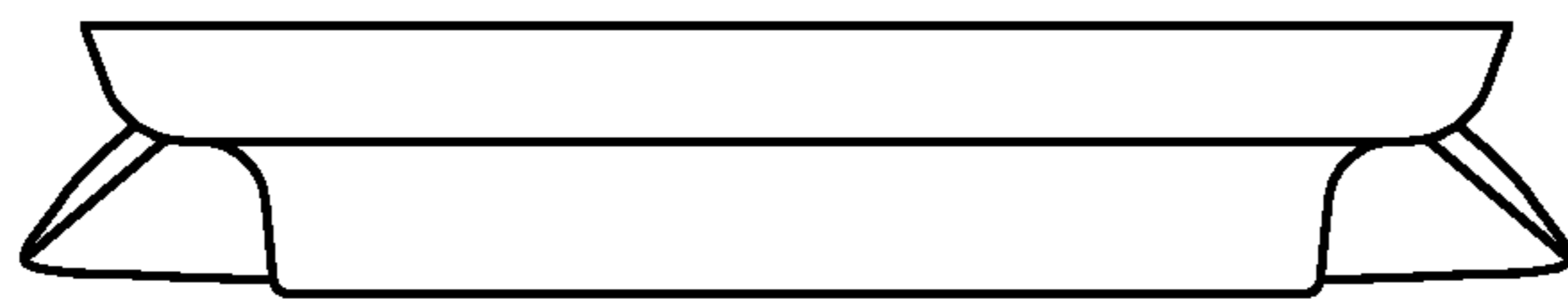


Fig. 5