



US00D734932S

(12) **United States Design Patent**
Miner

(10) **Patent No.:** **US D734,932 S**
(45) **Date of Patent:** **** Jul. 28, 2015**

- (54) **SHOE OUTSOLE**
- (71) Applicant: **NIKE, Inc.**, Beaverton, OR (US)
- (72) Inventor: **Mark C. Miner**, Portland, OR (US)
- (73) Assignee: **NIKE, Inc.**, Beaverton, OR (US)
- (**) Term: **14 Years**
- (21) Appl. No.: **29/510,382**
- (22) Filed: **Nov. 26, 2014**
- (51) **LOC (10) Cl.** **02-04**
- (52) **U.S. Cl.**
USPC **D2/957; D2/951; D2/960**
- (58) **Field of Classification Search**
USPC D2/902, 906, 908, 916, 918, 925,
D2/946-962, 977; 36/3 B, 22 R, 24.5, 25 R,
36/28, 32 R, 34 R, 59 C, 67 A, 103
CPC A43B 13/00; A43B 13/02; A43B 13/023;
A43B 13/026; A43B 13/04; A43B 13/08;
A43B 13/10; A43B 13/12; A43B 13/14;
A43B 13/141; A43B 13/143; A43B 13/16;
A43B 13/18; A43B 13/181; A43B 13/187;
A43B 13/189; A43B 13/20; A43B 13/22;
A43B 13/223; A43B 13/24; A43B 13/28;
A43B 13/30; A43B 13/32; A43B 13/34;
A43B 13/36

See application file for complete search history.

(56) **References Cited**

U.S. PATENT DOCUMENTS

D65,744 S *	10/1924	Kuhn	D2/954
D69,441 S *	2/1926	Church	D2/957
D281,642 S	12/1985	Fuzita		
D300,085 S *	3/1989	Ito et al.	D2/961
D312,723 S *	12/1990	Okada	D2/958
D397,849 S *	9/1998	Mitsui et al.	D2/954
D432,768 S	10/2000	Neely		

D439,729 S *	4/2001	Mastroianni et al.	D2/908
D504,205 S *	4/2005	Andrews-Kramer	D2/960
D509,049 S *	9/2005	McClaskie	D2/957
D513,842 S *	1/2006	Paytavi	D2/957
D529,266 S *	10/2006	Le	D2/957
D530,493 S	10/2006	Holmes		
D531,789 S	11/2006	Kohastu et al.		
D536,861 S	2/2007	Rasmussen		
D538,015 S	3/2007	Link		
D545,036 S	6/2007	Roulo		
D549,941 S	9/2007	Dirsa		
D554,840 S *	11/2007	McClaskie	D2/960
D557,886 S *	12/2007	McClaskie	D2/957
D584,492 S	1/2009	Lee		
D596,836 S	7/2009	Link		
D599,986 S	9/2009	Reiss		
D617,085 S *	6/2010	Recchi et al.	D2/957

(Continued)

OTHER PUBLICATIONS

Nike Footwear Catalog, 2010 Holiday Men's Branded Action Sports Footwear, p. 4, published date unknown, but prior to the filing date of the present application, NIKE, Inc., USA.

(Continued)

Primary Examiner — T. Chase Nelson
(74) *Attorney, Agent, or Firm* — Banner & Witcoff, Ltd.

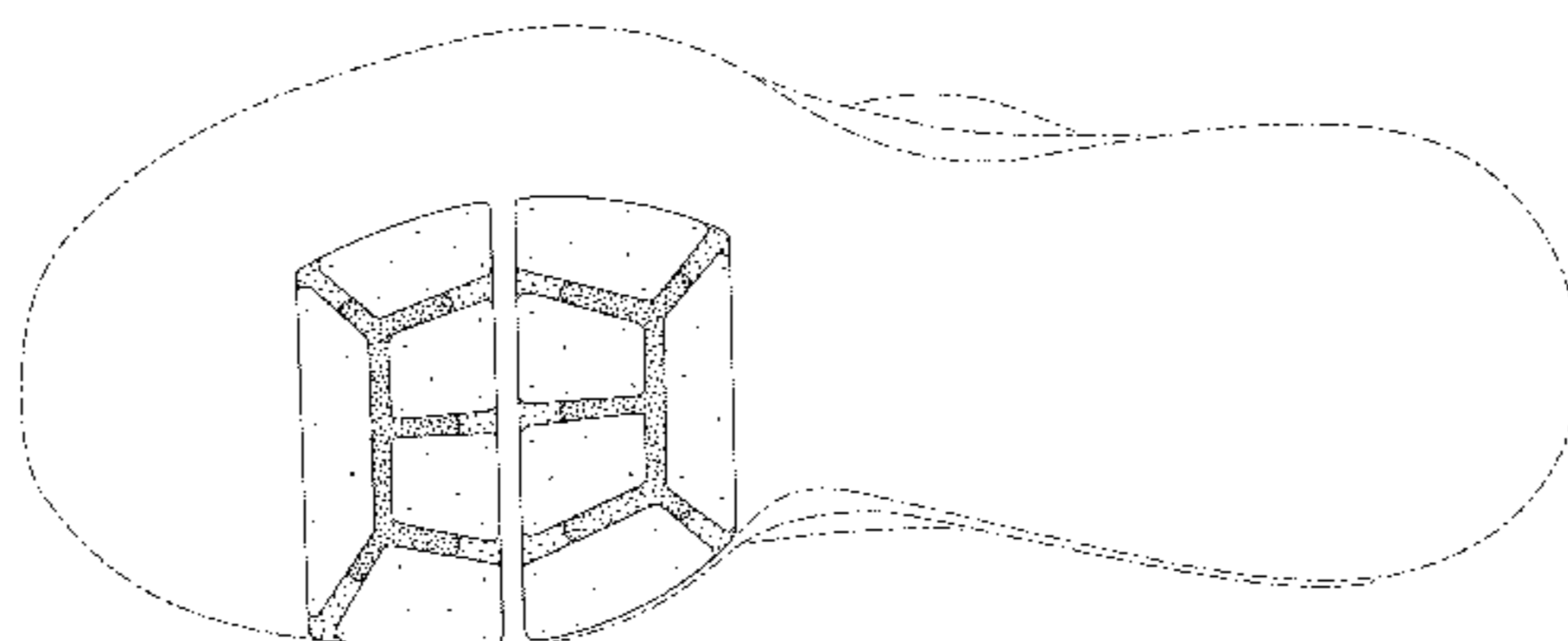
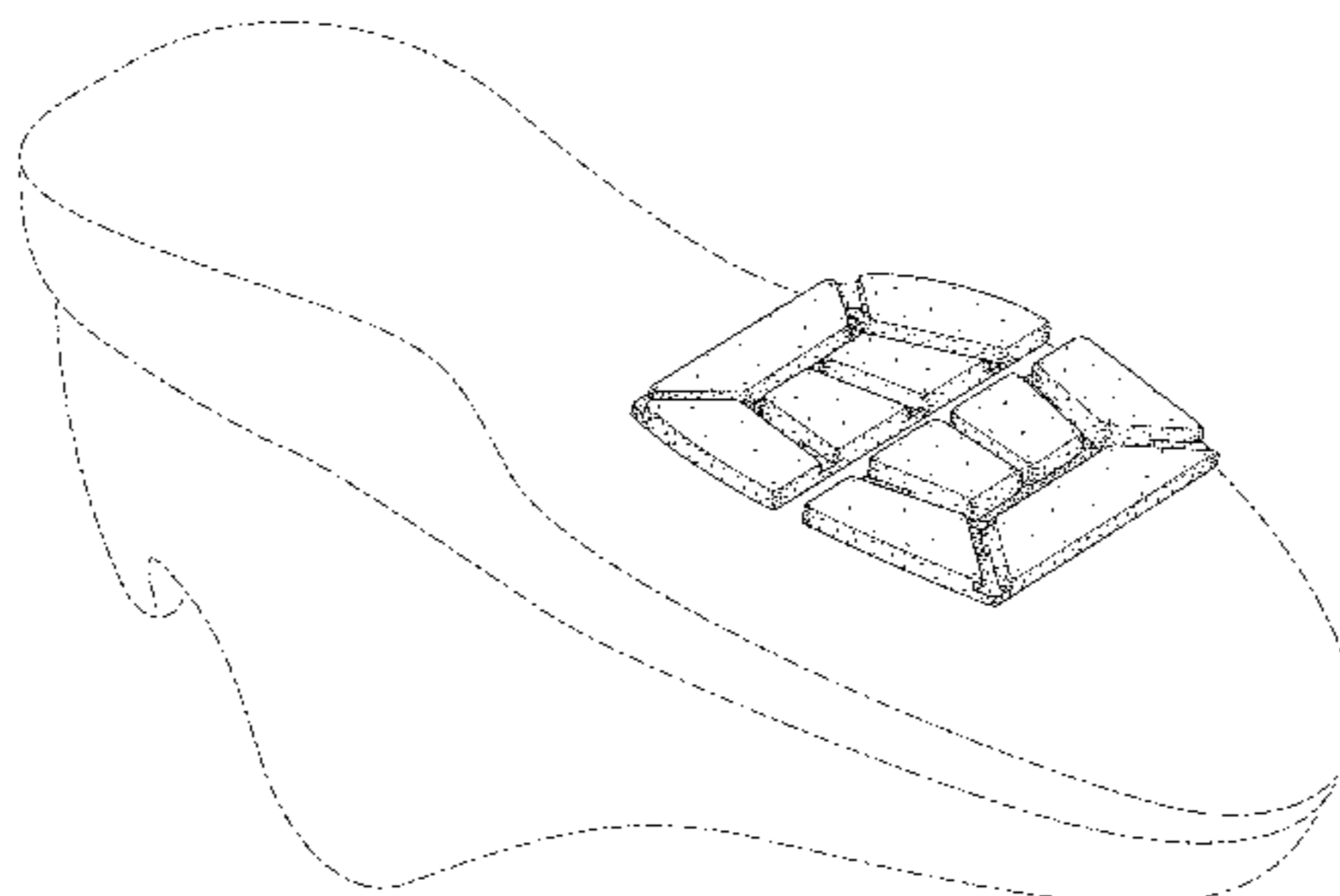
(57) **CLAIM**

The ornamental design for a shoe outsole, as shown and described.

DESCRIPTION

FIG. 1 is a front perspective view of a shoe outsole showing my new design;
FIG. 2 is a plan view thereof; and,
FIG. 3 is a rear perspective view thereof.
The broken lines showing the remainder of the shoe are for environmental purposes only and form no part of the claimed design.

1 Claim, 3 Drawing Sheets



(56)

References Cited

U.S. PATENT DOCUMENTS

D632,879 S 2/2011 Merkazy et al.
 D659,967 S 5/2012 Miner
 D662,701 S * 7/2012 Raysse D2/957
 D672,543 S 12/2012 Williams, Jr.
 D677,455 S 3/2013 Pizzuti
 D679,901 S 4/2013 Raysse
 D682,524 S 5/2013 James
 D699,027 S 2/2014 Teteriatnikov
 D701,027 S 3/2014 Lee
 D711,637 S 8/2014 Miner
 D718,038 S * 11/2014 Kelley D2/972
 D722,750 S * 2/2015 Vella D2/955
 D724,298 S * 3/2015 Zaedow D2/957
 D725,880 S * 4/2015 Bramani D2/957
 D725,881 S * 4/2015 Weeks D2/957
 2002/0054970 A1 * 5/2002 Umezawa 428/36.8
 2004/0088883 A1 * 5/2004 Workman 36/15
 2005/0252037 A1 * 11/2005 Hofmann 36/28

2007/0220777 A1 * 9/2007 Richardson 36/11.5
 2010/0180474 A1 * 7/2010 Clark et al. 36/3 B
 2011/0061265 A1 * 3/2011 Lyden 36/103
 2011/0061269 A1 * 3/2011 Nakano 36/3 A
 2011/0126428 A1 * 6/2011 Hazenberg et al. 36/103
 2015/0047231 A1 * 2/2015 Bunnell et al. 36/25 R

OTHER PUBLICATIONS

Nike Footwear Catalog, 2012 Summer Men's Sportswear Footwear, p. 7, published Aug. 2011, NIKE, Inc., USA.
 Nike Footwear Catalog, 2013 Spring Womens Sportswear Footwear Best, p. 6, published May 2012, NIKE, Inc., USA.
 Nike Footwear Catalog, 2013 Fall Womens Sportswear Best, p. 5, published Nov. 2012, NIKE, Inc., USA.
 Nike Footwear Catalog, 2014 Summer Men's Footwear Nike Sportswear Best, p. 6, published Aug. 16, 2013, NIKE, Inc., USA.
 Nike Footwear Catalog, 2015 Summer Young Adult Footwear and Equipment Catalog, p. 47, published Aug. 1, 2014, NIKE, Inc., USA.

* cited by examiner

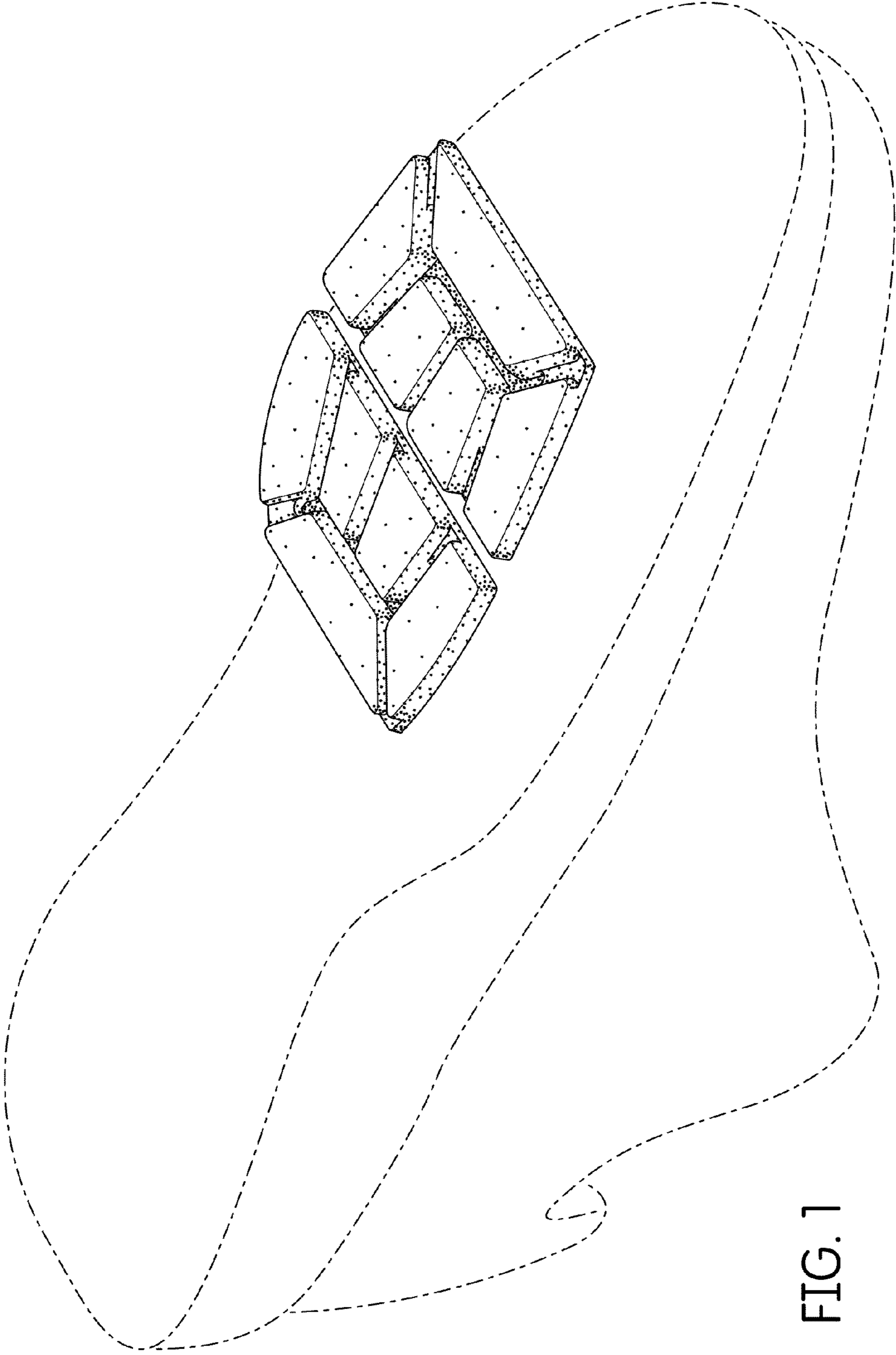


FIG. 1

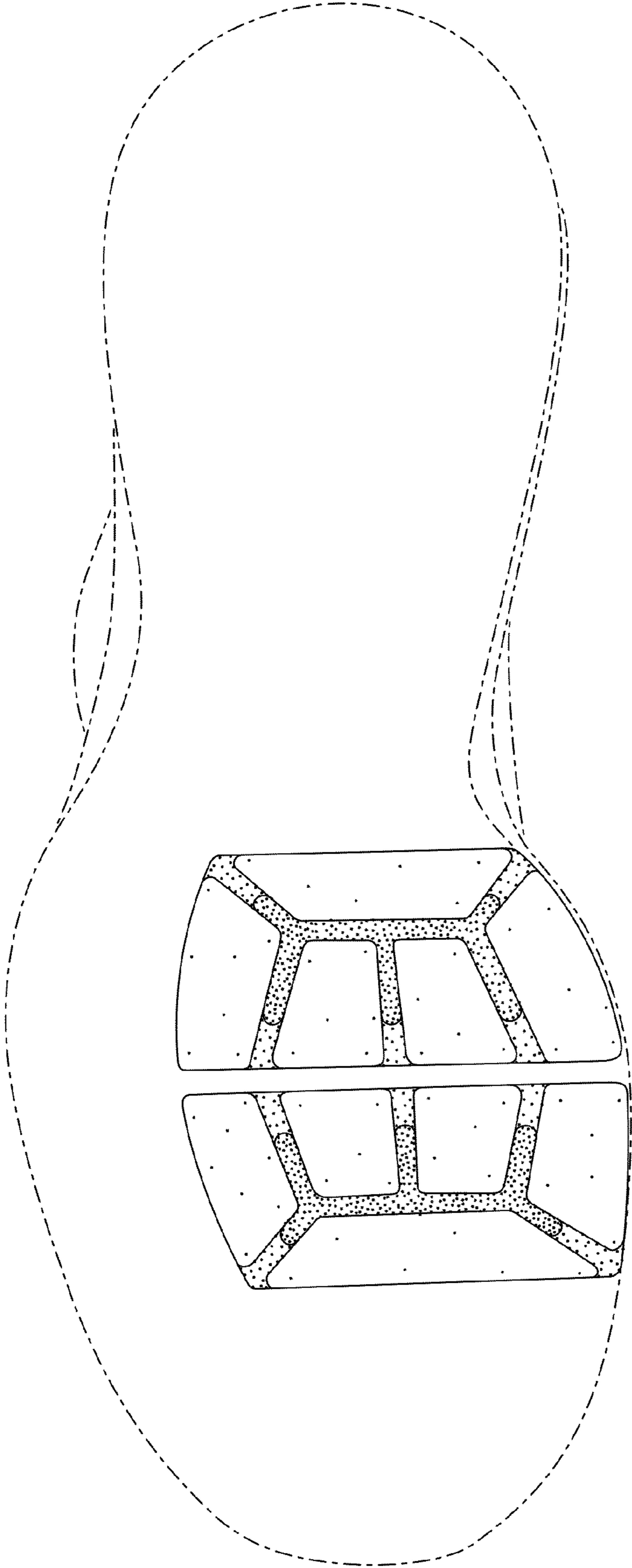


FIG. 2

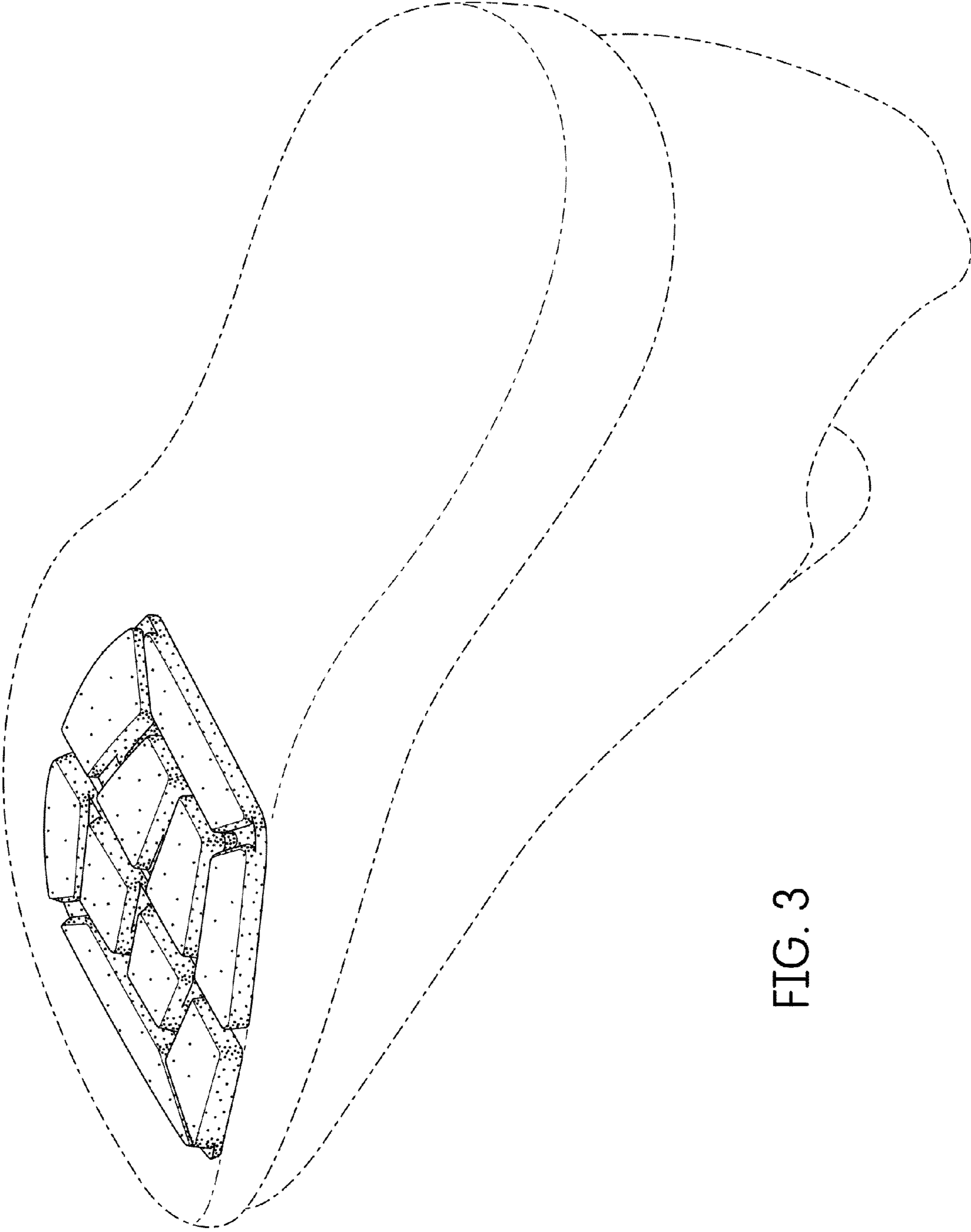


FIG. 3