



US00D734915S

(12) **United States Design Patent**
Nopper

(10) **Patent No.:** **US D734,915 S**
(45) **Date of Patent:** **** Jul. 21, 2015**

(54) **SAFETY BAR**

(71) Applicant: **Lakeport Metalcraft and Welding,**
Mississauga (CA)

(72) Inventor: **Roland Stefan Nopper,** Mississauga
(CA)

(73) Assignee: **Lakeport Metalcraft and Welding**
(CA)

(**) Term: **14 Years**

(21) Appl. No.: **29/473,965**

(22) Filed: **Nov. 27, 2013**

Related U.S. Application Data

(63) Continuation-in-part of application No. 29/437,064,
filed on Nov. 13, 2012, now abandoned, which is a
continuation of application No. 29/391,313, filed on
May 6, 2011, now Pat. No. Des. 673,753.

(51) **LOC (10) Cl.** **12-05**

(52) **U.S. Cl.**
USPC **D34/35**

(58) **Field of Classification Search**
USPC D34/34, 35; 180/89.12, 89.13, 89.17;
187/222, 237; 296/190.08, 193.06
See application file for complete search history.

(56) **References Cited**

U.S. PATENT DOCUMENTS

| | | | |
|-----------|---|---------|-----------------|
| 1,924,074 | A | 8/1933 | O'halloran |
| 1,940,035 | A | 12/1933 | Washburn |
| 2,263,981 | A | 11/1941 | Dalecke et al. |
| 2,460,193 | A | 1/1949 | Raudenkolb |
| 2,808,942 | A | 10/1957 | Harrison et al. |
| 3,163,389 | A | 12/1964 | Thornburgh |
| 3,289,871 | A | 12/1966 | Tourneau et al. |
| 3,841,698 | A | 10/1974 | Stammen et al. |
| 3,933,371 | A | 1/1976 | Graham et al. |
| 4,026,597 | A | 5/1977 | Miller et al. |

| | | | | |
|-----------|------|---------|------------------|------------|
| 4,266,808 | A | 5/1981 | Fassett et al. | |
| D271,151 | S * | 10/1983 | Kirby et al. | D34/35 |
| 4,411,464 | A | 10/1983 | Bauer et al. | |
| 4,538,752 | A | 9/1985 | Welter | |
| 5,303,815 | A | 4/1994 | Dooley | |
| D376,242 | S * | 12/1996 | Jung et al. | D34/34 |
| 5,820,199 | A * | 10/1998 | Camplin et al. | 296/102 |
| 6,206,628 | B1 | 3/2001 | Mcdermott et al. | |
| 6,220,656 | B1 | 4/2001 | Martin, Jr. | |
| 6,223,914 | B1 | 5/2001 | Snell | |
| 6,325,449 | B1 * | 12/2001 | Sorensen et al. | 296/190.08 |
| 6,582,010 | B2 * | 6/2003 | Sakyo et al. | 296/190.08 |

(Continued)

OTHER PUBLICATIONS

“U.S. Appl. No. 12/980,596, Advisory Action mailed Aug. 7, 2014”,
3 pgs.

(Continued)

Primary Examiner — Cynthia Ramirez

(74) *Attorney, Agent, or Firm* — Schwegman Lundberg &
Woessner, P.A.

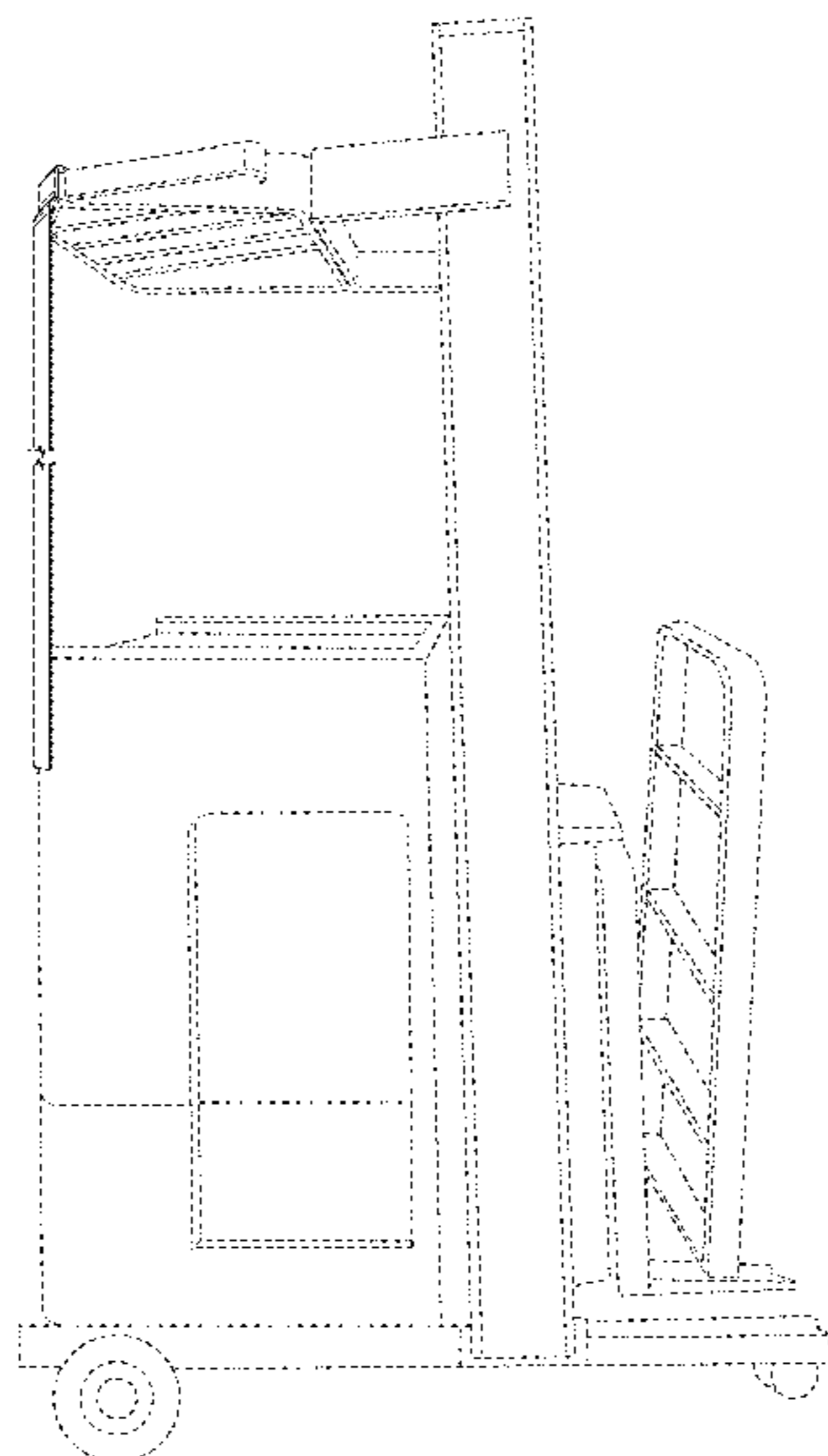
(57) **CLAIM**

The ornamental design for a safety bar, as shown and
described.

DESCRIPTION

FIG. 1 is a perspective view of the safety bar, showing the new
design;
FIG. 2 is a front perspective view thereof;
FIG. 3 is a rear perspective view thereof;
FIG. 4 is a front elevational view thereof;
FIG. 5 is a left side elevational view thereof;
FIG. 6 is a rear elevational view thereof;
FIG. 7 is a right side elevational view thereof;
FIG. 8 is a top plan view thereof; and,
FIG. 9 is a bottom plan view thereof.
The broken lines depict environmental subject matter only
and form no part of the claimed design.

1 Claim, 5 Drawing Sheets



(56)

References Cited

U.S. PATENT DOCUMENTS

| | | | | |
|--------------|------|---------|----------------------|-----------|
| D479,796 | S | 9/2003 | Snell | |
| D497,700 | S * | 10/2004 | Polvilampi | D34/34 |
| D539,504 | S * | 3/2007 | Quinlan et al. | D34/35 |
| D544,174 | S * | 6/2007 | Quinlan et al. | D34/34 |
| D556,027 | S | 11/2007 | Cuzzocrea | |
| D557,474 | S * | 12/2007 | Kouyama et al. | D34/34 |
| D580,124 | S * | 11/2008 | Babel et al. | D34/34 |
| D584,873 | S * | 1/2009 | Kuraoka et al. | D34/34 |
| D587,423 | S * | 2/2009 | Stark | D34/34 |
| D587,424 | S * | 2/2009 | Stark | D34/34 |
| D594,172 | S * | 6/2009 | Shibata et al. | D34/34 |
| D594,173 | S * | 6/2009 | Shibata et al. | D34/34 |
| 7,789,359 | B2 | 9/2010 | Chopp, Jr. et al. | |
| D650,959 | S * | 12/2011 | Gilbride et al. | D34/35 |
| D673,753 | S * | 1/2013 | Nopper | D34/35 |
| 8,950,553 | B2 | 2/2015 | Nopper | |
| 2004/0163865 | A1 * | 8/2004 | Shimokakiuchi et al. | 180/89.12 |
| 2007/0063545 | A1 | 3/2007 | Martin | |
| 2012/0169075 | A1 | 7/2012 | Nopper | |

OTHER PUBLICATIONS

“U.S. Appl. No. 12/980,596, Final Office Action mailed May 1, 2014”, 18 pgs.
 “U.S. Appl. No. 12/980,596, Notice of Allowance mailed Oct. 6, 2014”, 7 pgs.
 “U.S. Appl. No. 12/980,596, Response filed Jan. 10, 2014 to Non Final Office Action mailed Oct. 11, 2013”, 10 pgs.
 “U.S. Appl. No. 12/980,596, Response filed Jul. 1, 2014 to Final Office Action mailed May 1, 2014”, 11 pgs.

“U.S. Appl. No. 12/980,596, Response filed Sep. 8, 2014 to Advisory Action mailed Aug. 7, 2014”, 10 pgs.
 “U.S. Appl. No. 12/980,596, Response filed Apr. 3, 2013, to Final Office Action mailed Jan. 4, 2013”, 11 pgs.
 “U.S. Appl. No. 12/980,596, Response filed Aug. 5, 2013 to Non Final Office Action mailed May 6, 2013”, 8 pgs.
 “U.S. Appl. No. 12/980,596, Examiner Interview Summary mailed Mar. 12, 2013”, 3 pgs.
 “U.S. Appl. No. 12/980,596, Final Office Action mailed Jan. 4, 2013”, 12 pgs.
 “U.S. Appl. No. 12/980,596, Non Final Office Action mailed May 6, 2013”, 18 pgs.
 “U.S. Appl. No. 12/980,596, Non Final Office Action mailed Sep. 20, 2012”, 10 pgs.
 “U.S. Appl. No. 12/980,596, Non Final Office Action mailed Oct. 11, 2013”, 17 pgs.
 “U.S. Appl. No. 12/980,596, Response Filed Dec. 18, 2012 to Non Final Office Action mailed Sep. 20, 2012”, 10 pgs.
 “U.S. Appl. No. 29/391,313, Notice of Allowance mailed Aug. 9, 2012”, 10 pgs.
 “U.S. Appl. No. 29/391,313, Response Filed Jul. 30, 2012 to Restriction Requirement mailed Jun. 29, 2012”, 4 pgs.
 “U.S. Appl. No. 29/391,313, Restriction Requirement mailed Jun. 29, 2012”, 5 pgs.
 “U.S. Appl. No. 29/437,064, Final Office Action mailed Jun. 28, 2013”, 6 pgs.
 “Backbone Safety Bar [Video]”, [Online]. Retrieved from the Internet: <<http://www.youtube.com/watch?v=0-fW3iFzZ1U>>, (Mar. 28, 2012), 1 min 41 sec.

* cited by examiner

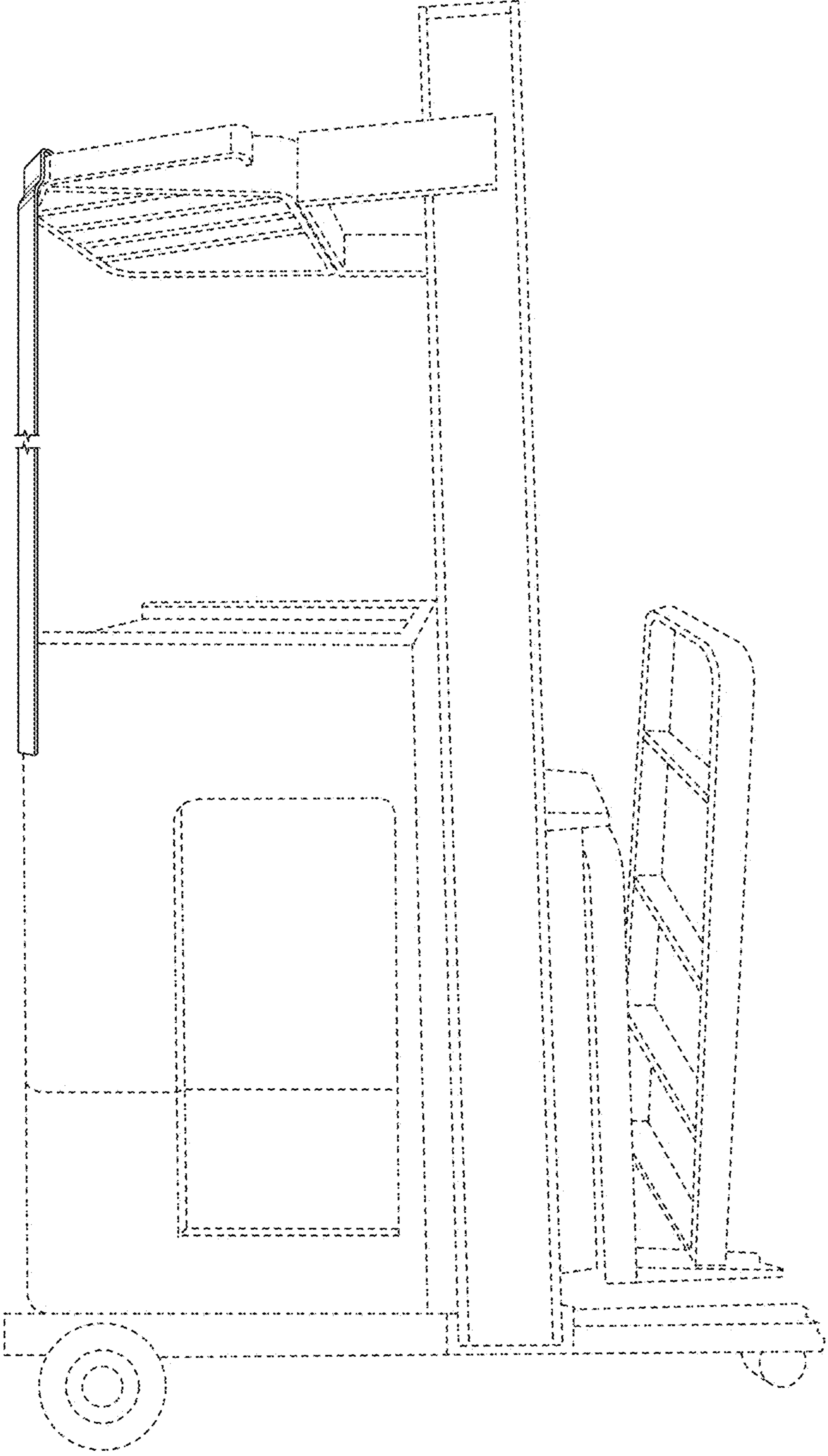


FIG. 1

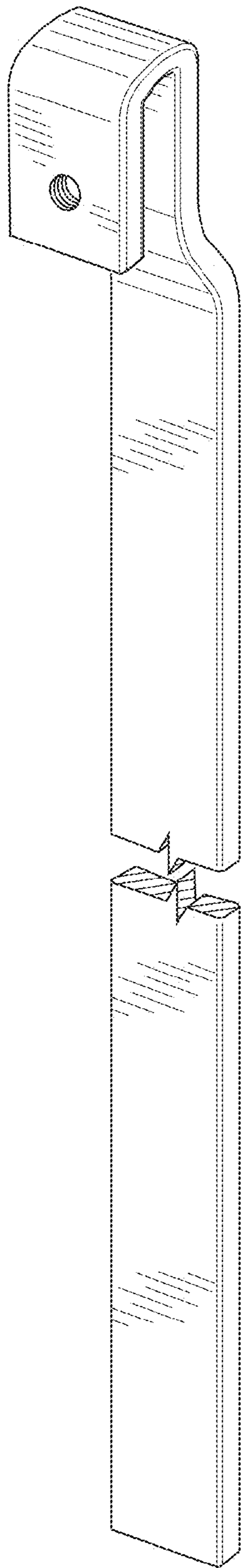


FIG. 2

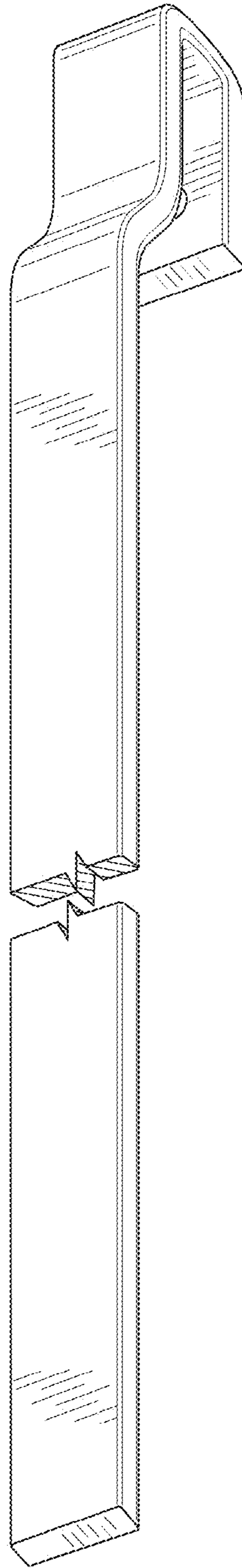


FIG. 3

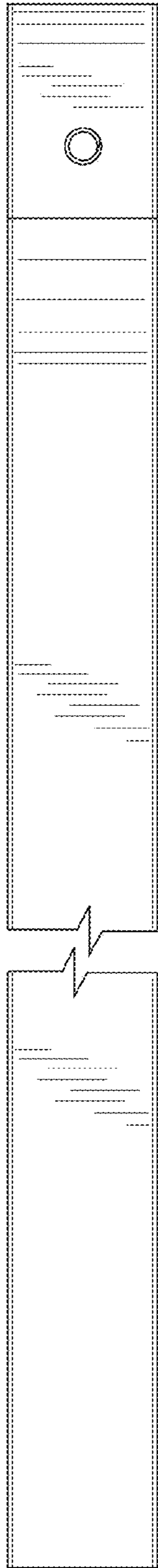


FIG. 4

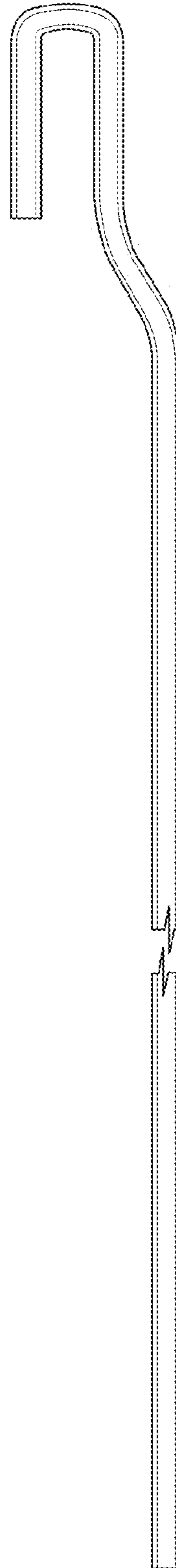


FIG. 5

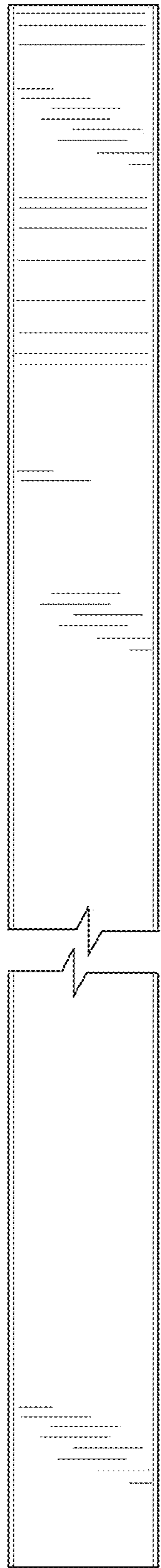


FIG. 6

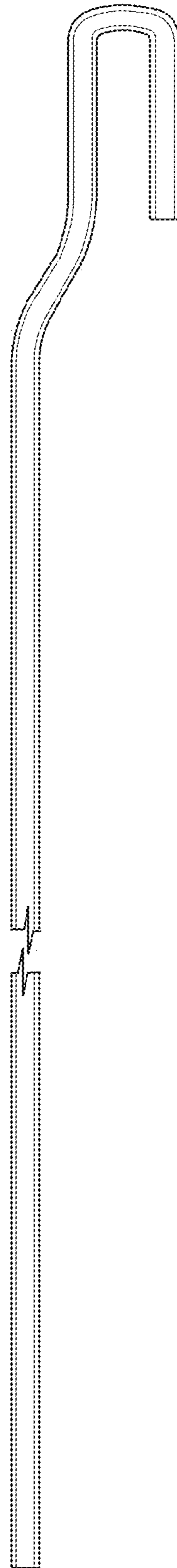


FIG. 7

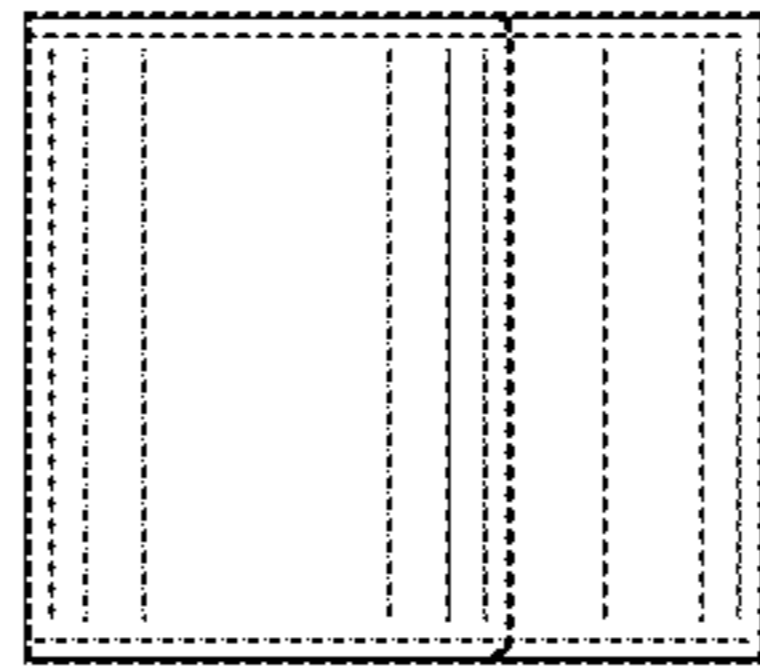


FIG. 8

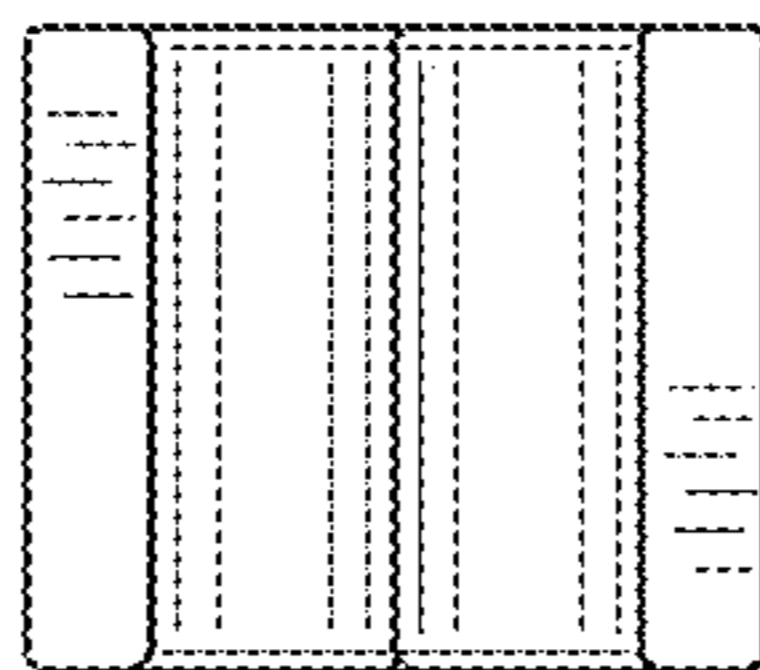


FIG. 9

UNITED STATES PATENT AND TRADEMARK OFFICE
CERTIFICATE OF CORRECTION

PATENT NO. : D734,915 S
APPLICATION NO. : 29/473965
DATED : July 21, 2015
INVENTOR(S) : Roland Stefan Nopper

Page 1 of 1

It is certified that error appears in the above-identified patent and that said Letters Patent is hereby corrected as shown below:

On the title page, item (63), in “Related U.S. Application Data”, in column 1, line 4, after “673,753.”,
insert --¶(30) Foreign Application Priority Data
Nov. 08, 2010 (CA) 137,849--, therefor

Signed and Sealed this
Sixteenth Day of August, 2016



Michelle K. Lee
Director of the United States Patent and Trademark Office