



US00D734911S

(12) **United States Design Patent**
Williams et al.

(10) **Patent No.:** **US D734,911 S**
(45) **Date of Patent:** **** Jul. 21, 2015**

(54) **DUSTPAN AND BRUSH**

(71) Applicant: **LF CENTENNIAL LIMITED**, Tortola (VG)

(72) Inventors: **Matthew G. Williams**, Lighthouse Point, FL (US); **Jose Suero**, Boca Raton, FL (US)

(73) Assignee: **LF Centennial Limited**, Road Town, Tortola (VG)

(**) Term: **14 Years**

(21) Appl. No.: **29/480,494**

(22) Filed: **Jan. 27, 2014**

(51) **LOC (10) Cl.** **07-05**

(52) **U.S. Cl.**
USPC **D32/74**

(58) **Field of Classification Search**
USPC D32/74, 41; D30/162; D7/691, 688;
D4/116; 15/257.5, 257.3, 257.2, 257.1;
134/6
CPC A47L 13/52; A47L 13/51; A46B 15/00;
A46B 15/0097; A46B 15/0095; A46B 17/04;
A46B 5/00; A46B 2200/302
See application file for complete search history.

(56) **References Cited**

U.S. PATENT DOCUMENTS

D145,887 S * 11/1946 Fox D32/74
D180,209 S * 4/1957 Tupper D32/74

(Continued)

Primary Examiner — Austin Murphy

(74) *Attorney, Agent, or Firm* — Duane Morris LLP; J. Rodman Steele, Jr.; Gregory M. Lefkowitz

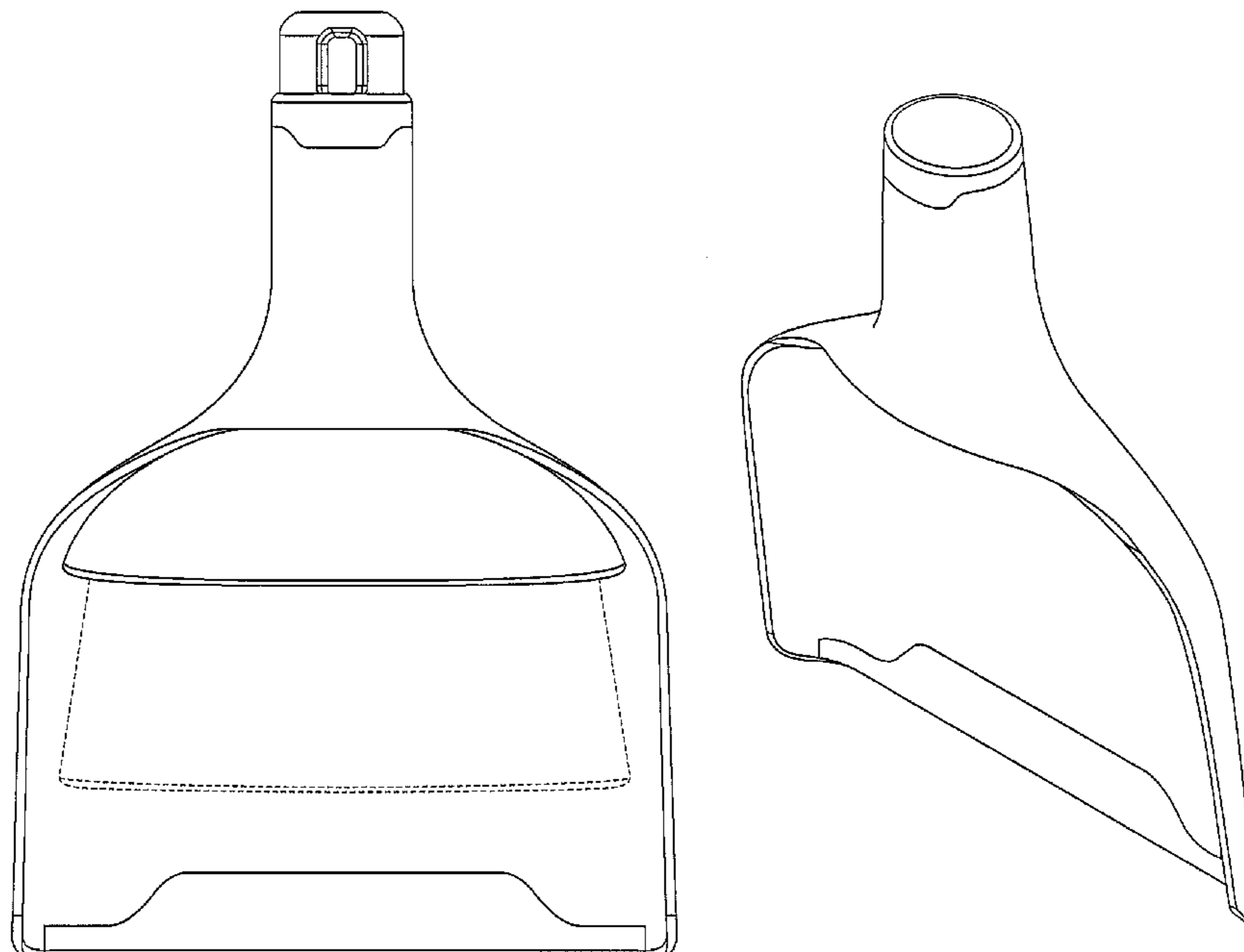
(57) **CLAIM**

The ornamental design for a dustpan and brush, as shown and described.

DESCRIPTION

FIG. 1 is a front, perspective view of our ornamental design; FIG. 2 is a front view of the ornamental design of FIG. 1; FIG. 3 is a top view of the ornamental design of FIG. 1; FIG. 4 is a bottom view of the ornamental design of FIG. 1; FIG. 5 is a left side view of the ornamental design of FIG. 1; FIG. 6 is a rear view of the ornamental design of FIG. 1; FIG. 7 is a front, perspective view of the brush of the ornamental design of FIG. 1; FIG. 8 is a front view of the brush of FIG. 7; FIG. 9 is a top view of the brush of FIG. 7; FIG. 10 is a bottom view of the brush of FIG. 7; FIG. 11 is a left side view of the brush of FIG. 7; FIG. 12 is a rear view of the brush of FIG. 7; FIG. 13 is a front, perspective view of the dustpan of the ornamental design of FIG. 1; FIG. 14 is a front view of the dustpan of FIG. 13; FIG. 15 is a cross-sectional view of the dustpan of FIG. 13 taken along cut line 15-15; FIG. 16 is a left side view of the dustpan of FIG. 13; FIG. 17 is a bottom view of the dustpan of FIG. 13; FIG. 18 is a top view of the dustpan of FIG. 13; and, FIG. 19 is a rear view of the dustpan of FIG. 13. The right side views are mirror images of the left side views shown in FIGS. 5, 11 and 16. The broken lines are included for purposes of illustrating environment and form no part of the claimed design.

1 Claim, 15 Drawing Sheets



(56)

References Cited

U.S. PATENT DOCUMENTS

D306,367 S *	2/1990	Vetter	D32/74	D586,970 S *	2/2009	Berti	D32/74
D323,940 S *	2/1992	Murphy et al.	D4/116	D628,390 S *	12/2010	Banks	D4/116
D383,002 S *	9/1997	Rigney	D4/116	D633,267 S	2/2011	Caleca	
D462,529 S *	9/2002	Best et al.	D4/116	D634,910 S *	3/2011	Solbjerg et al.	D32/74
D508,760 S *	8/2005	Berti	D32/74	D674,569 S *	1/2013	Schelling	D32/74
				D683,097 S *	5/2013	Vicari et al.	D32/74
				D687,204 S	7/2013	Vasilakes et al.	
				8,904,589 B2 *	12/2014	Santarsiero et al.	15/105

* cited by examiner

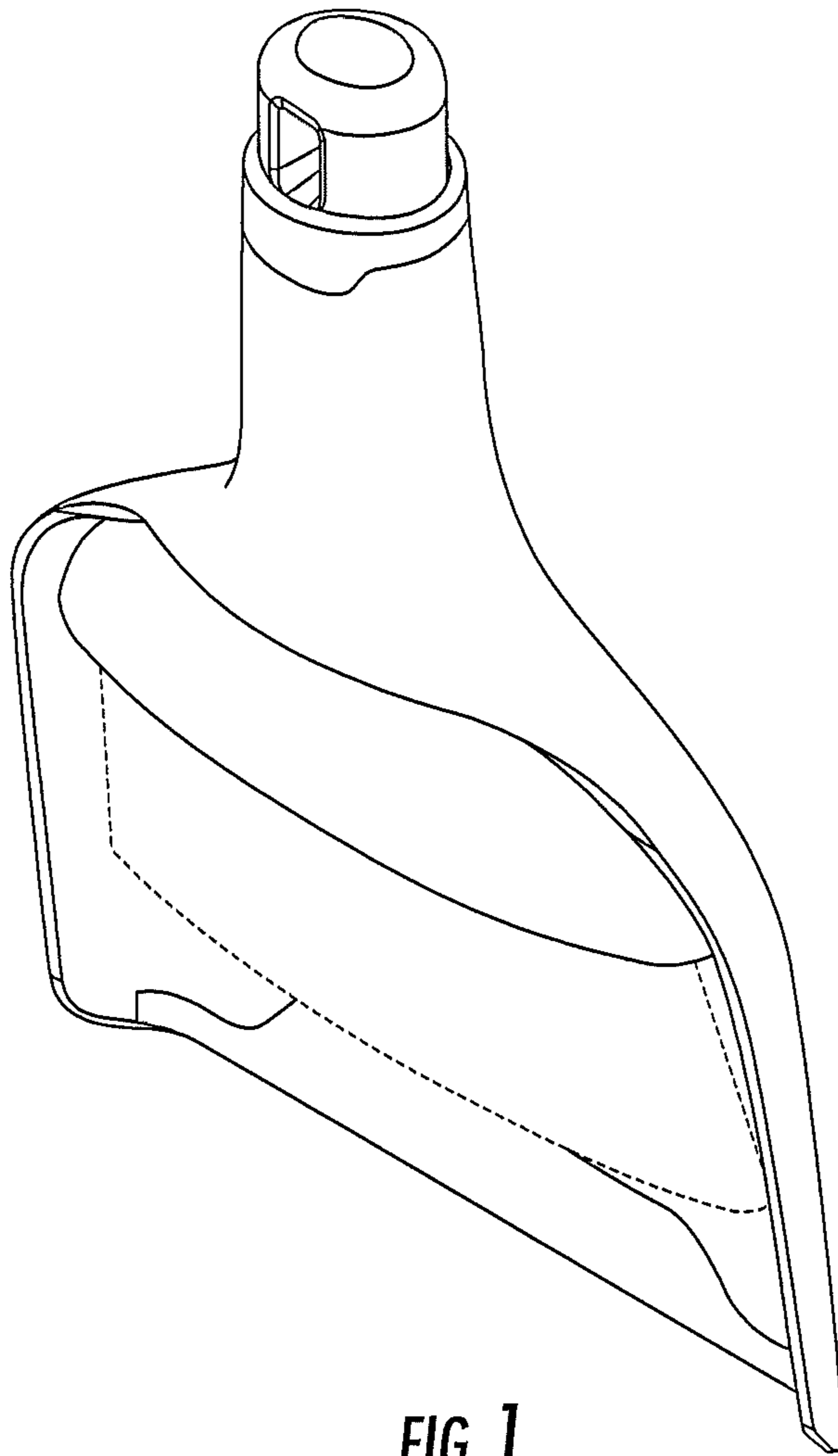


FIG. 1

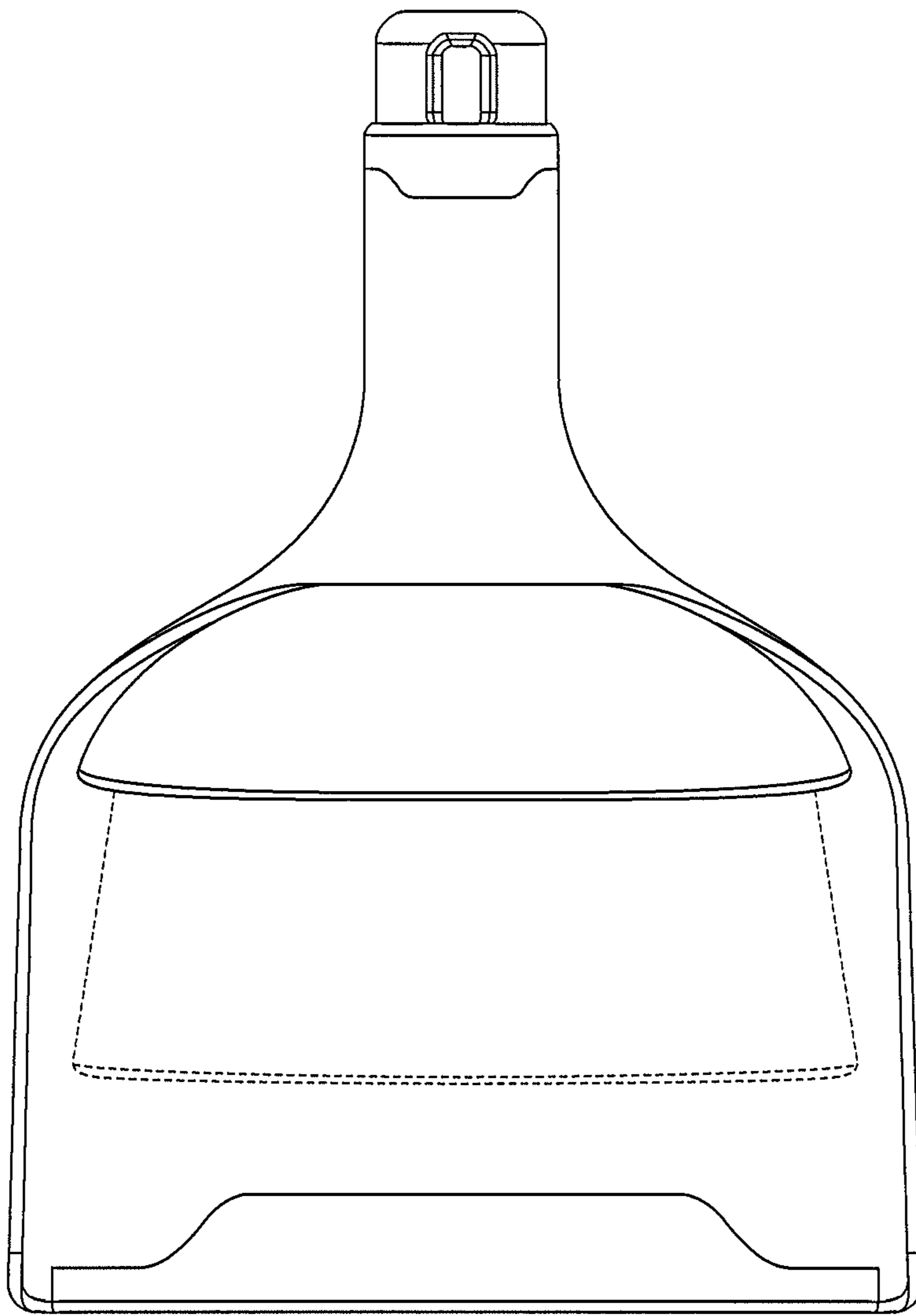


FIG. 2

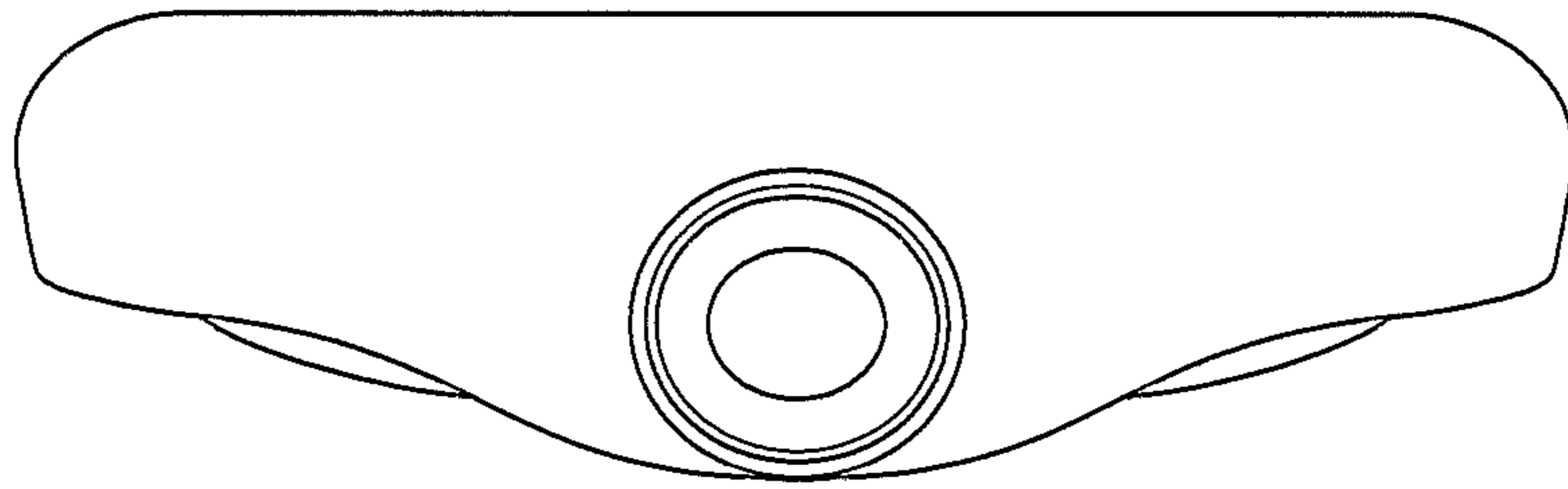


FIG. 3

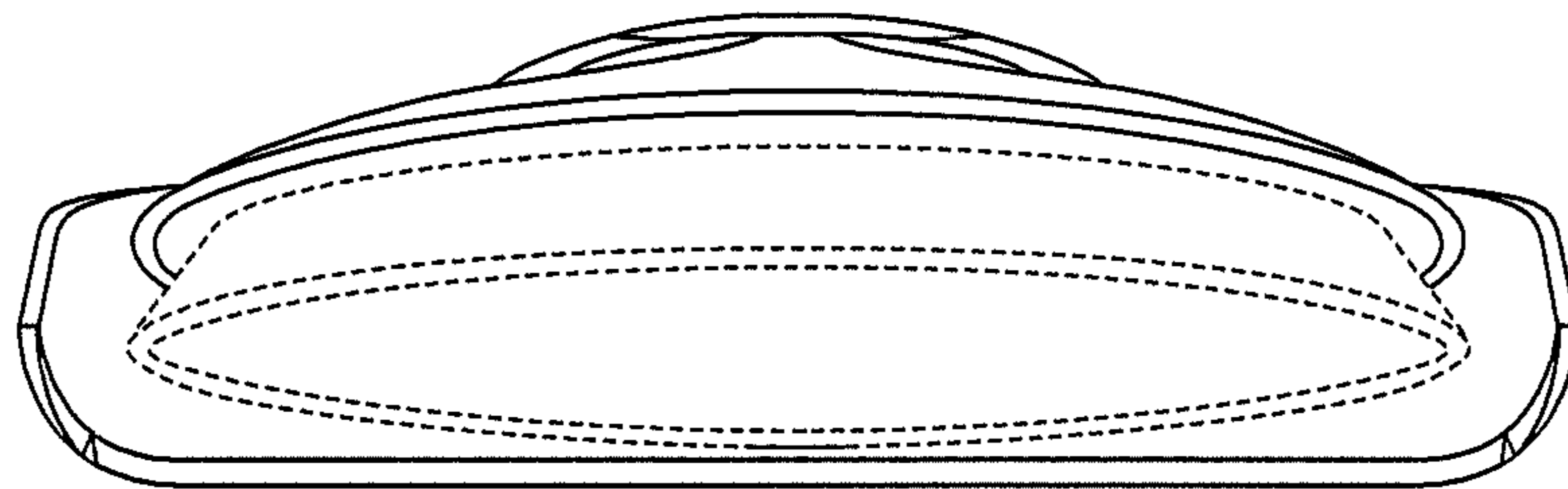


FIG. 4

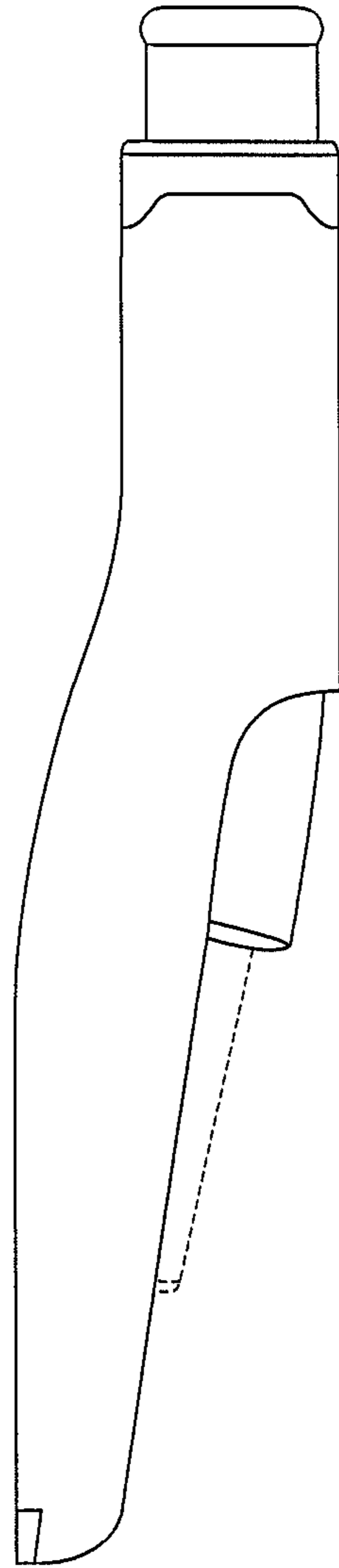


FIG. 5

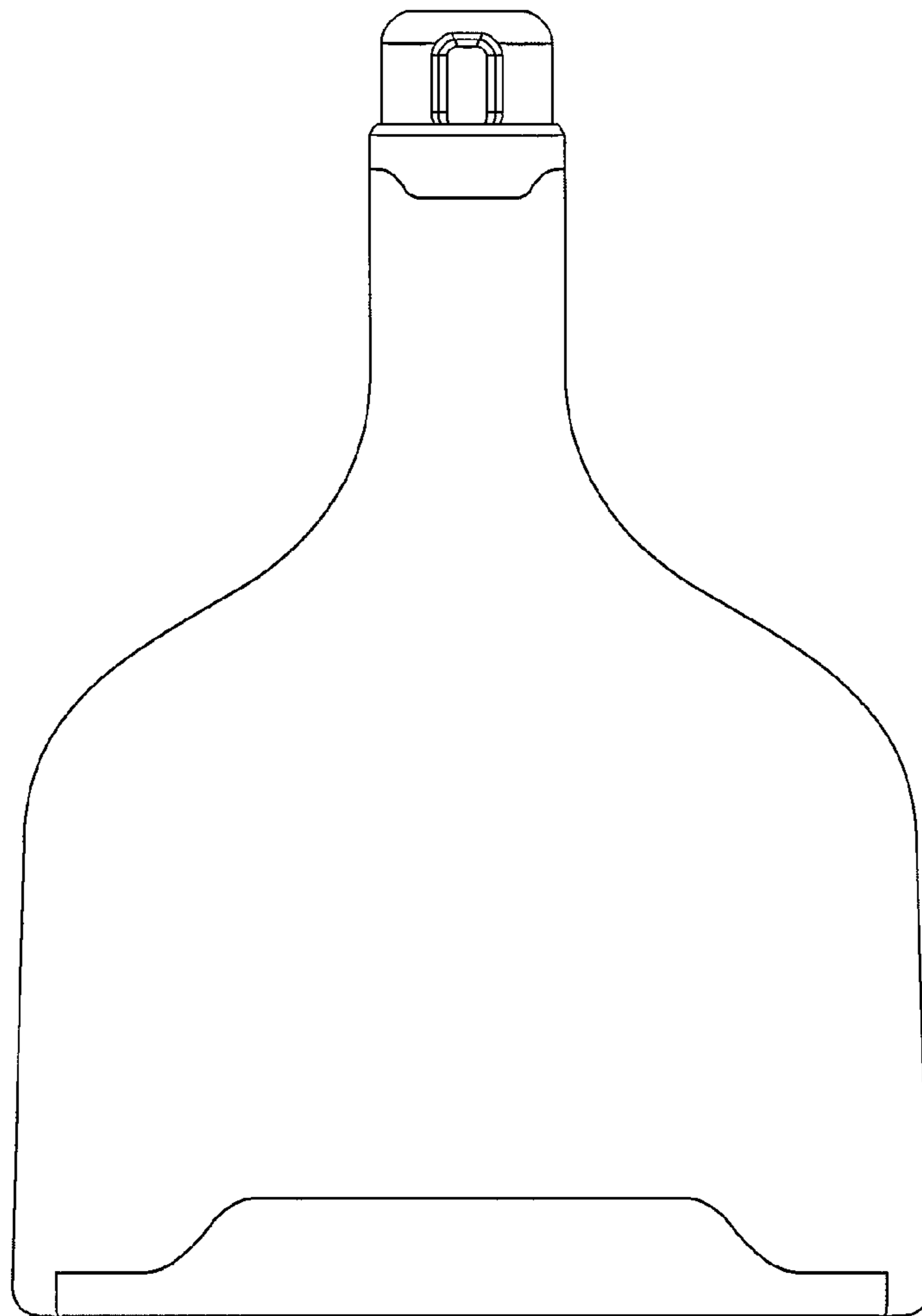


FIG. 6

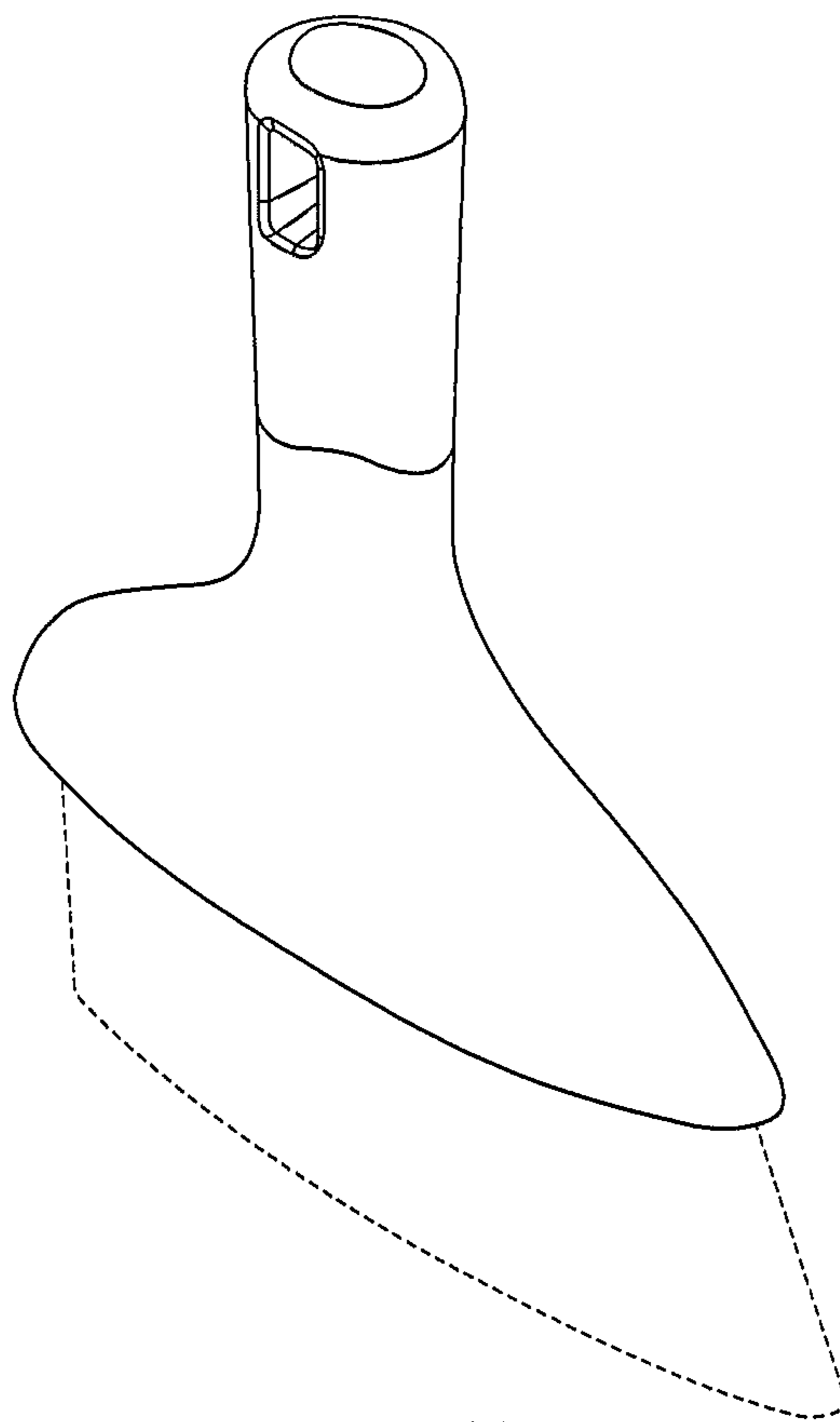


FIG. 7

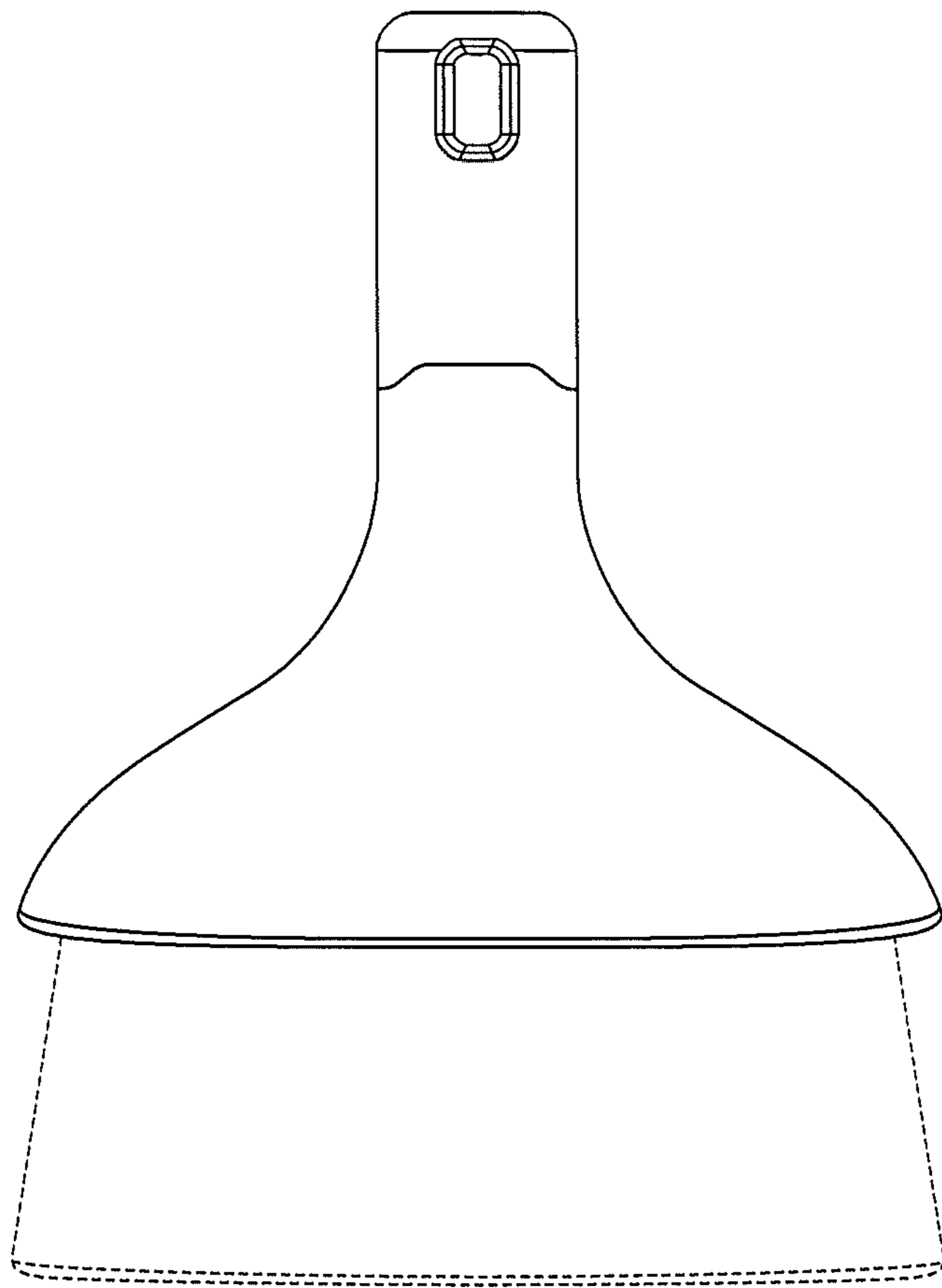


FIG. 8

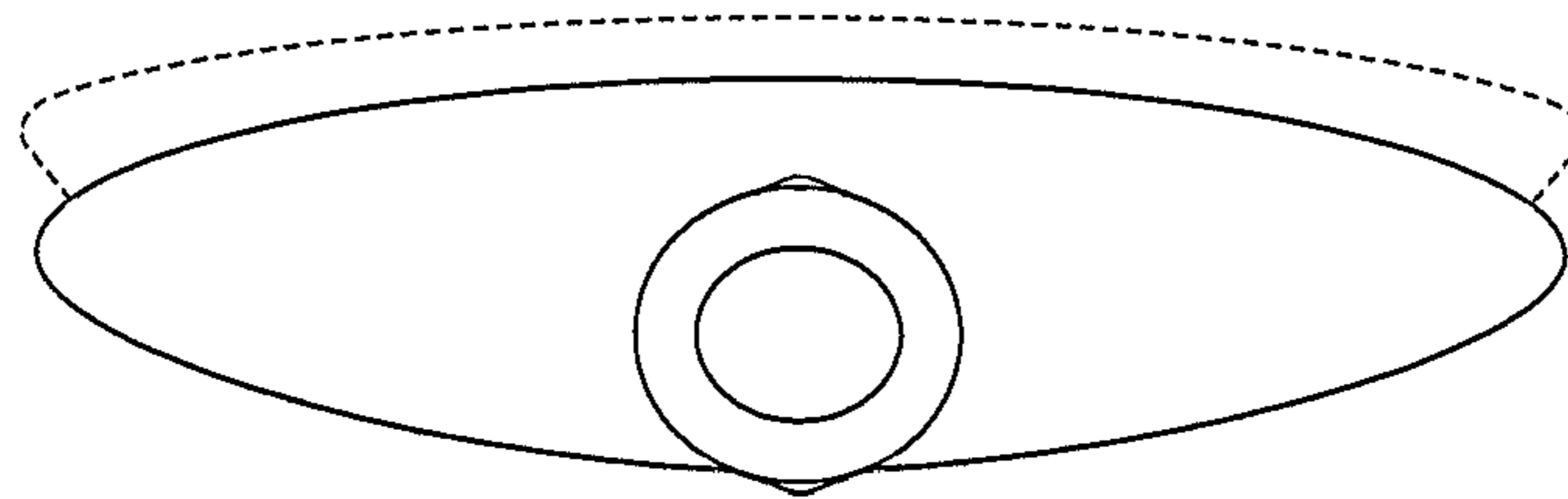


FIG. 9

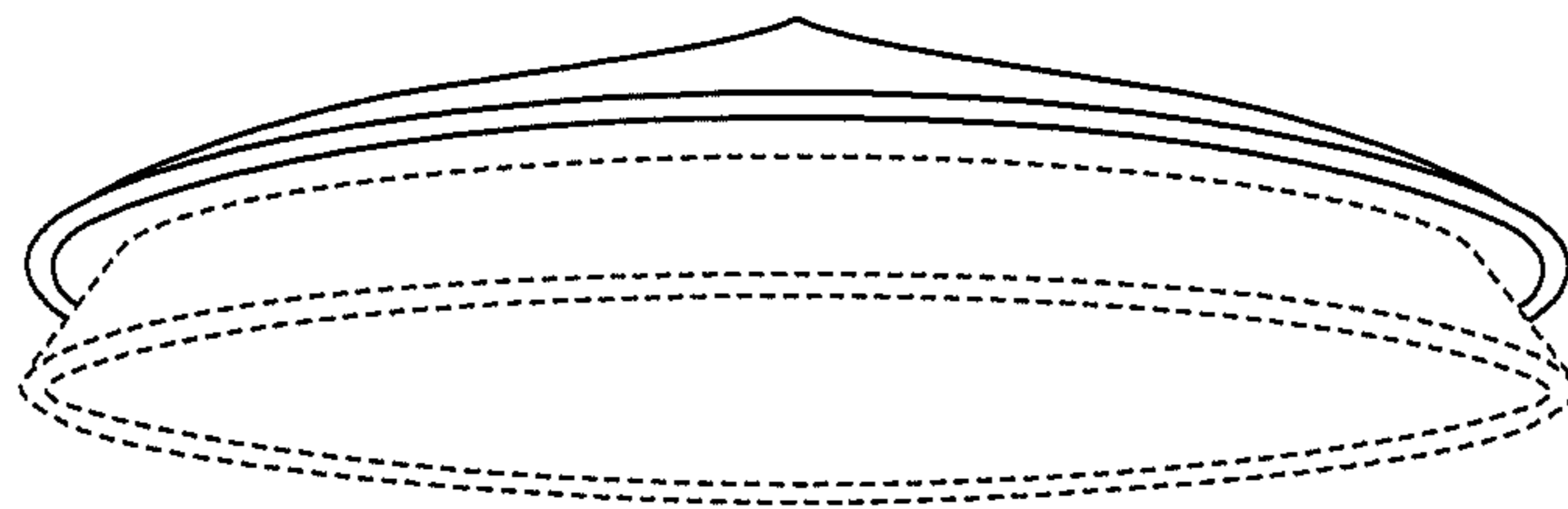


FIG. 10

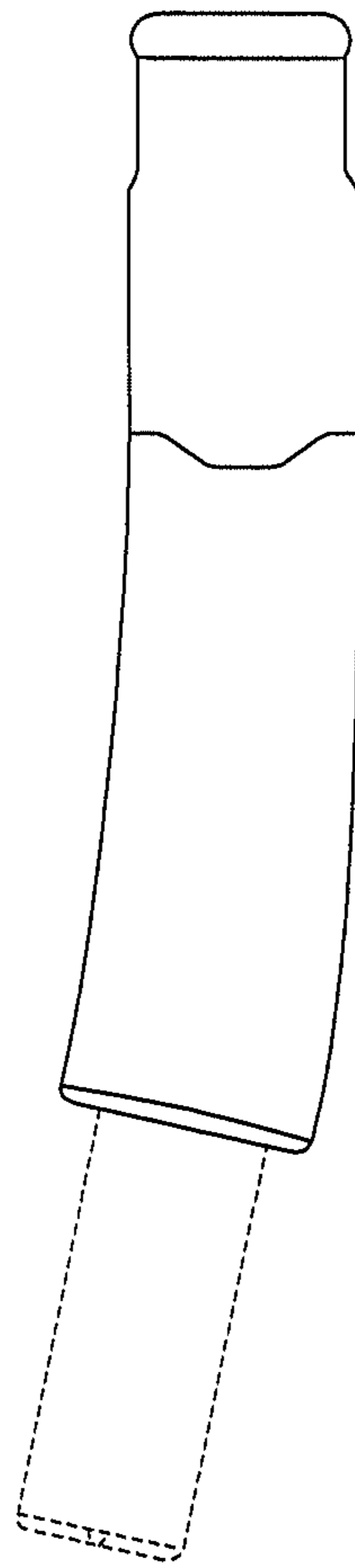


FIG. 11

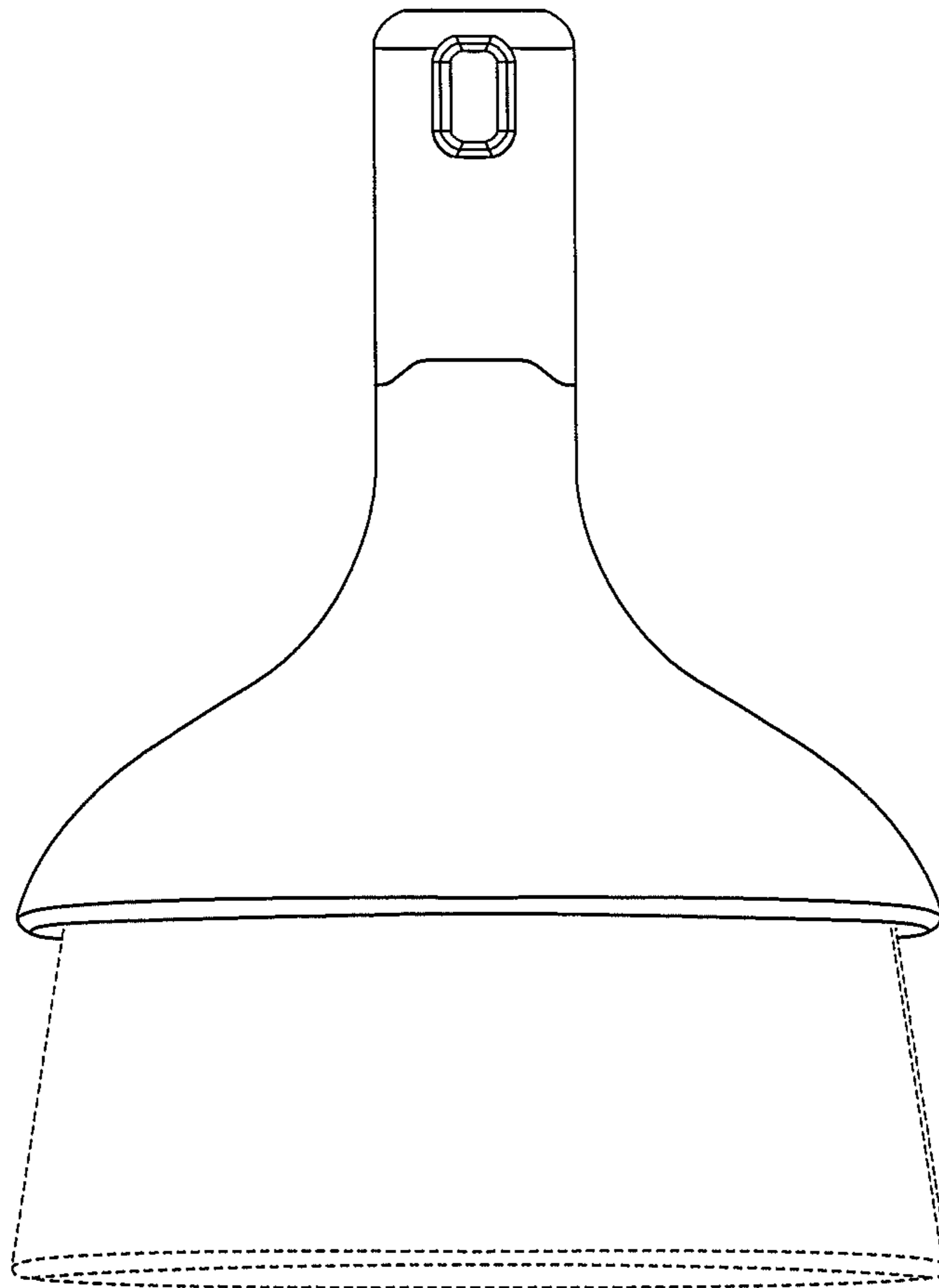


FIG. 12

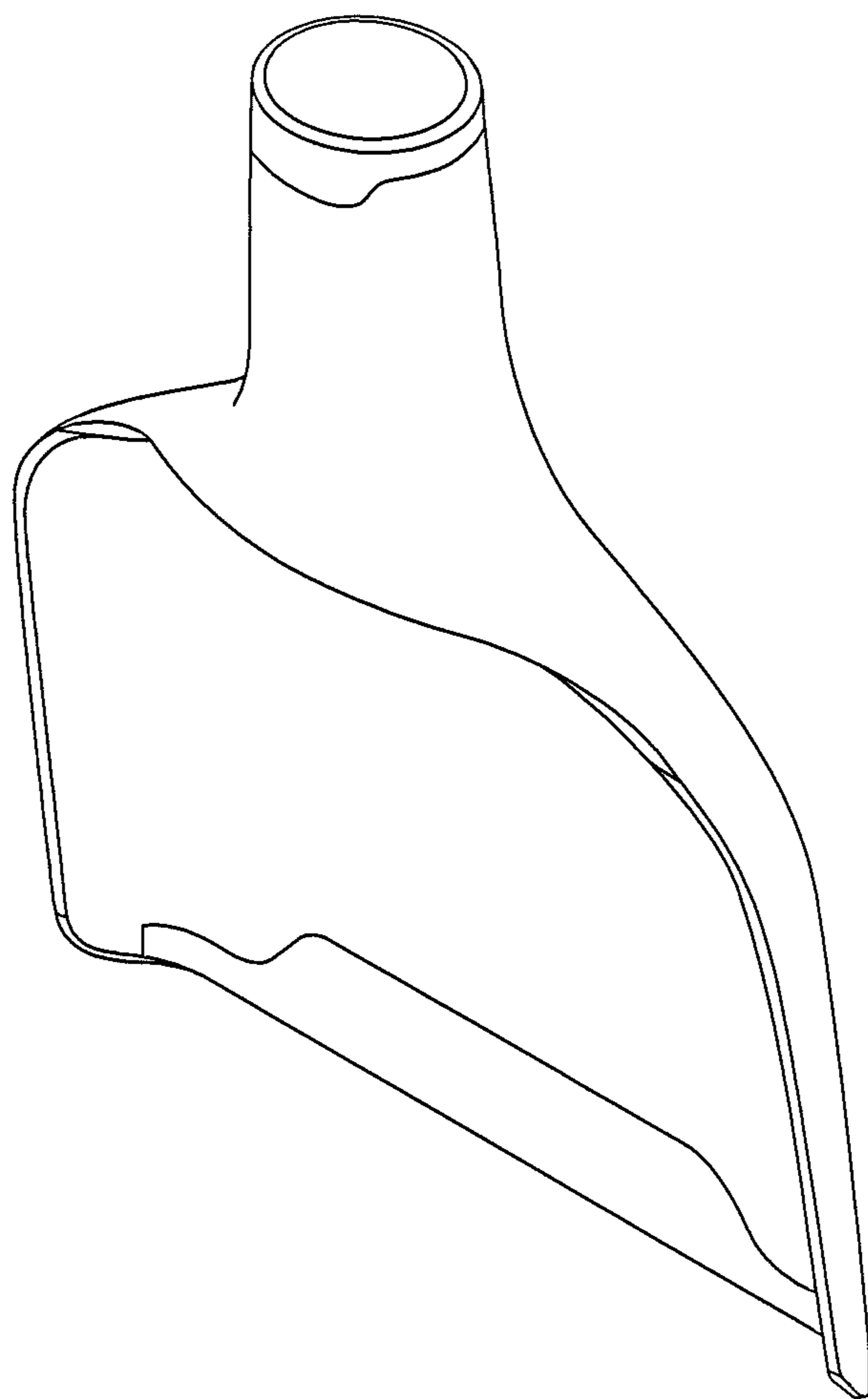


FIG. 13

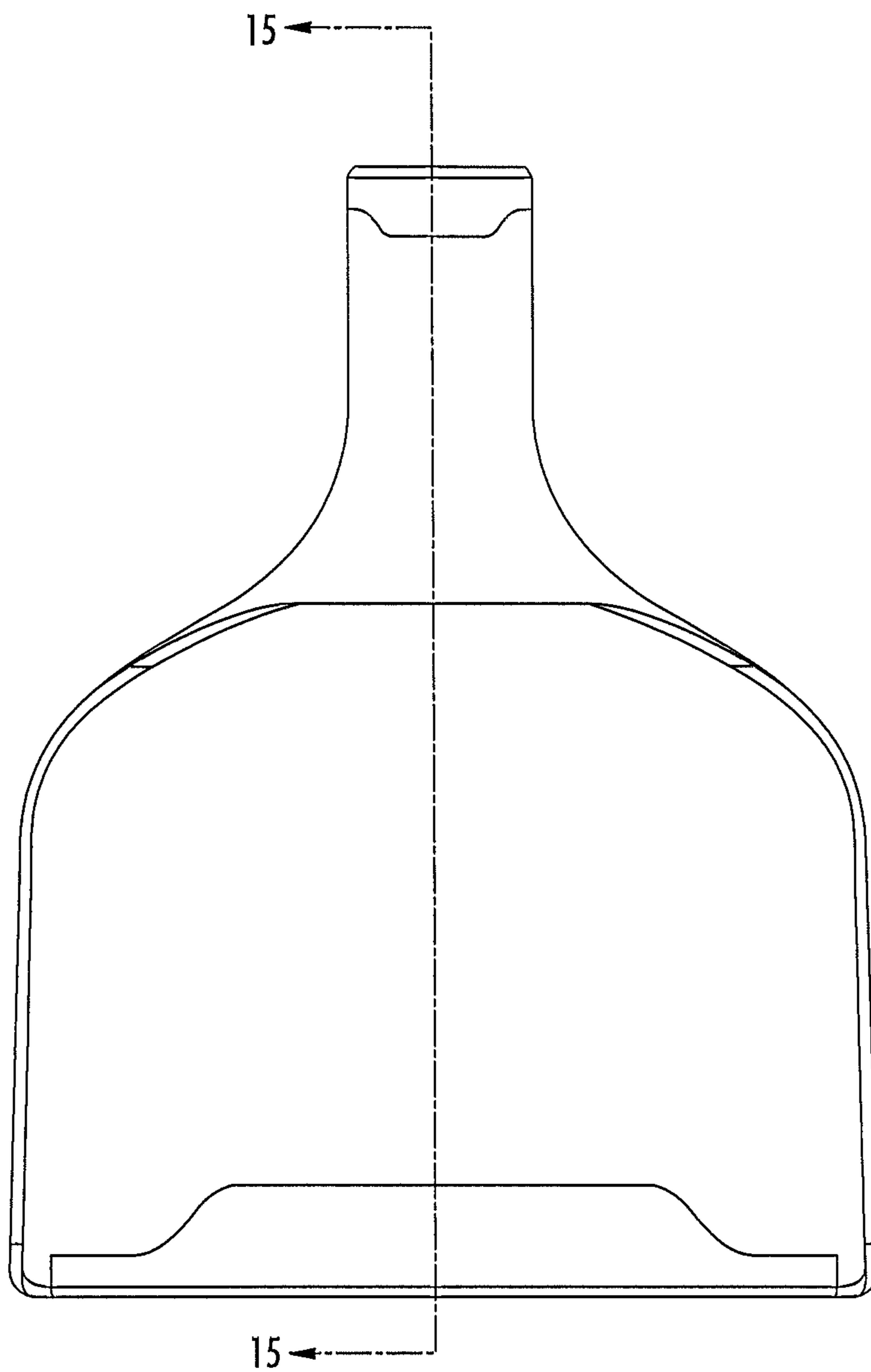


FIG. 14

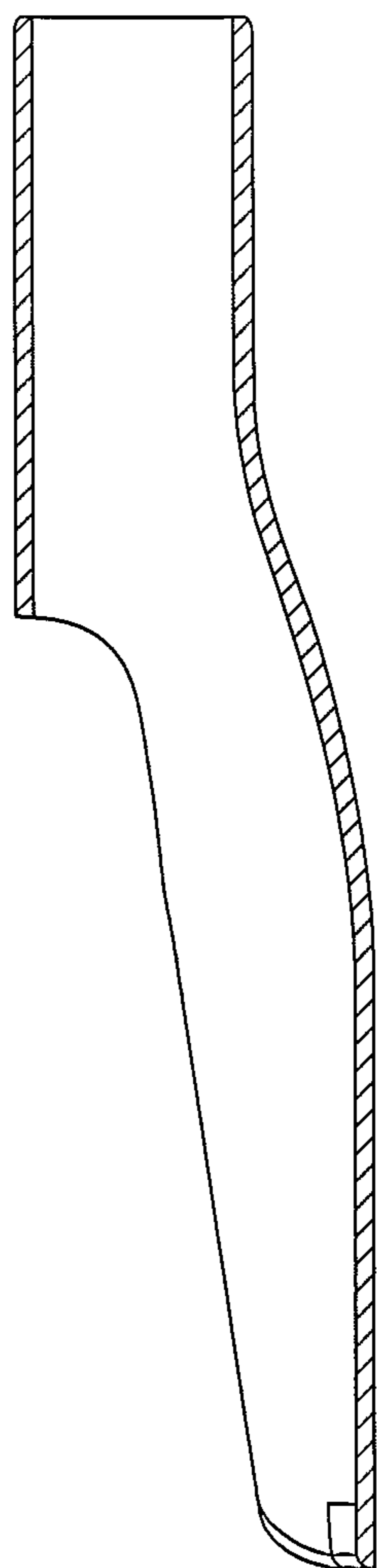


FIG. 15

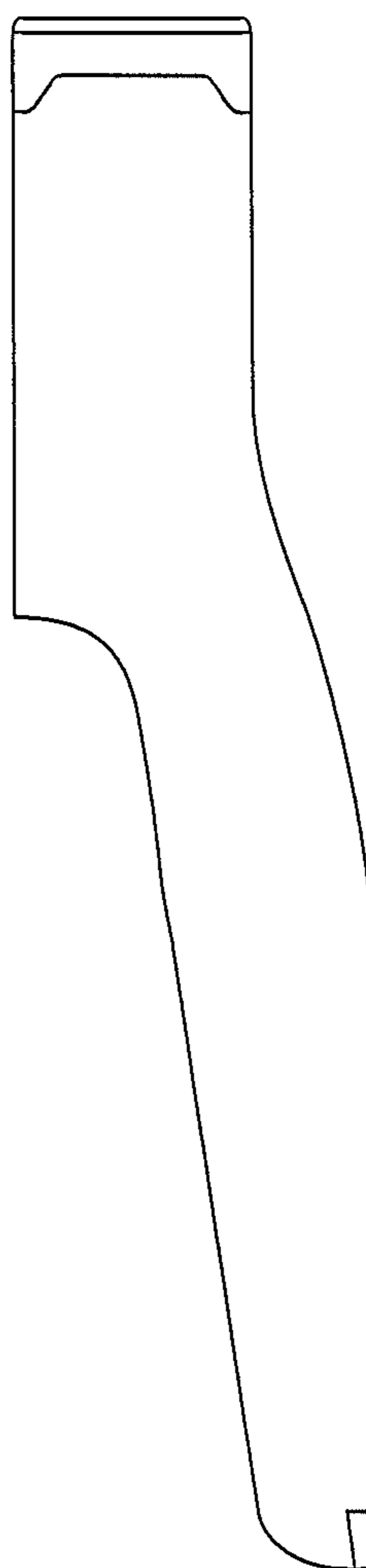


FIG. 16

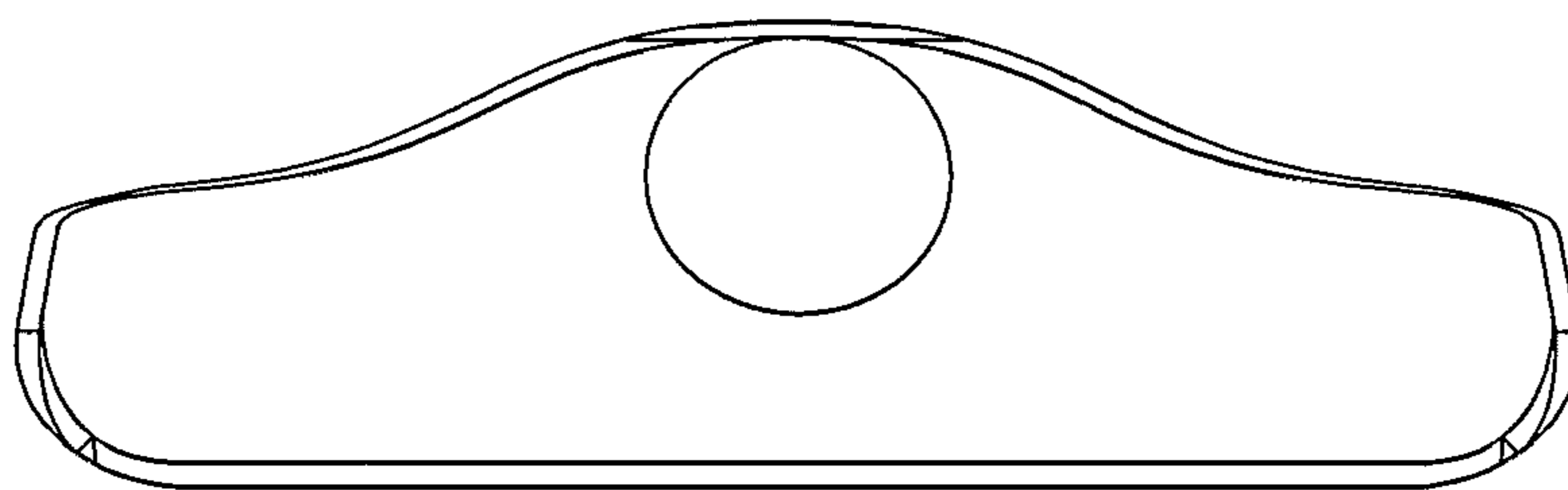


FIG. 17

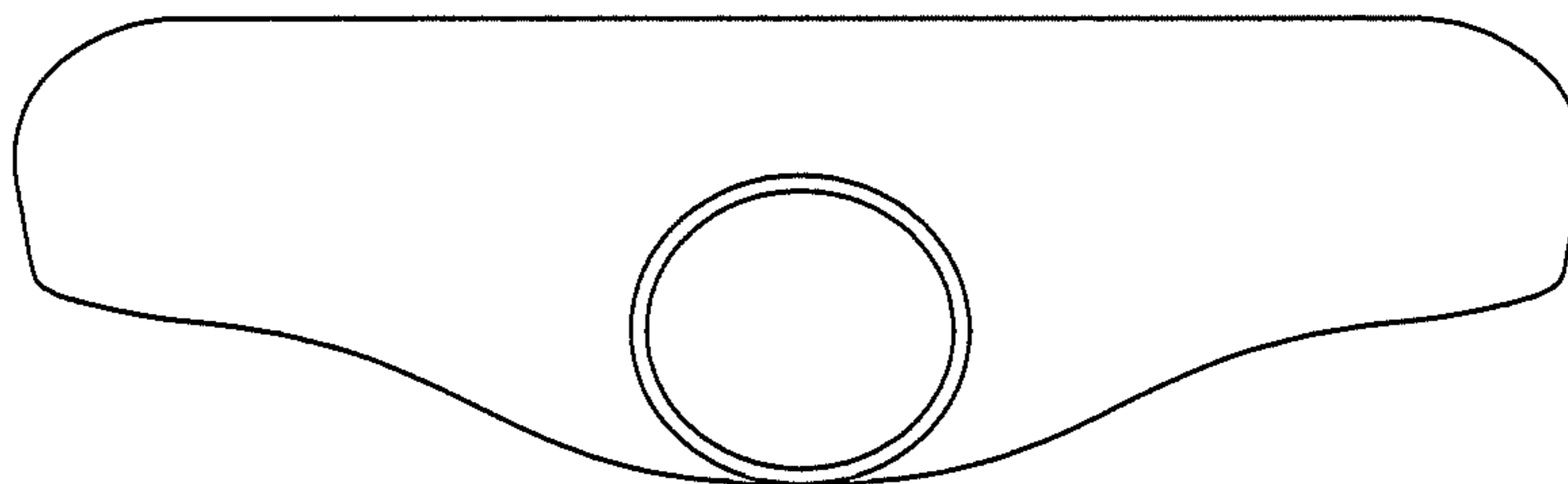


FIG. 18

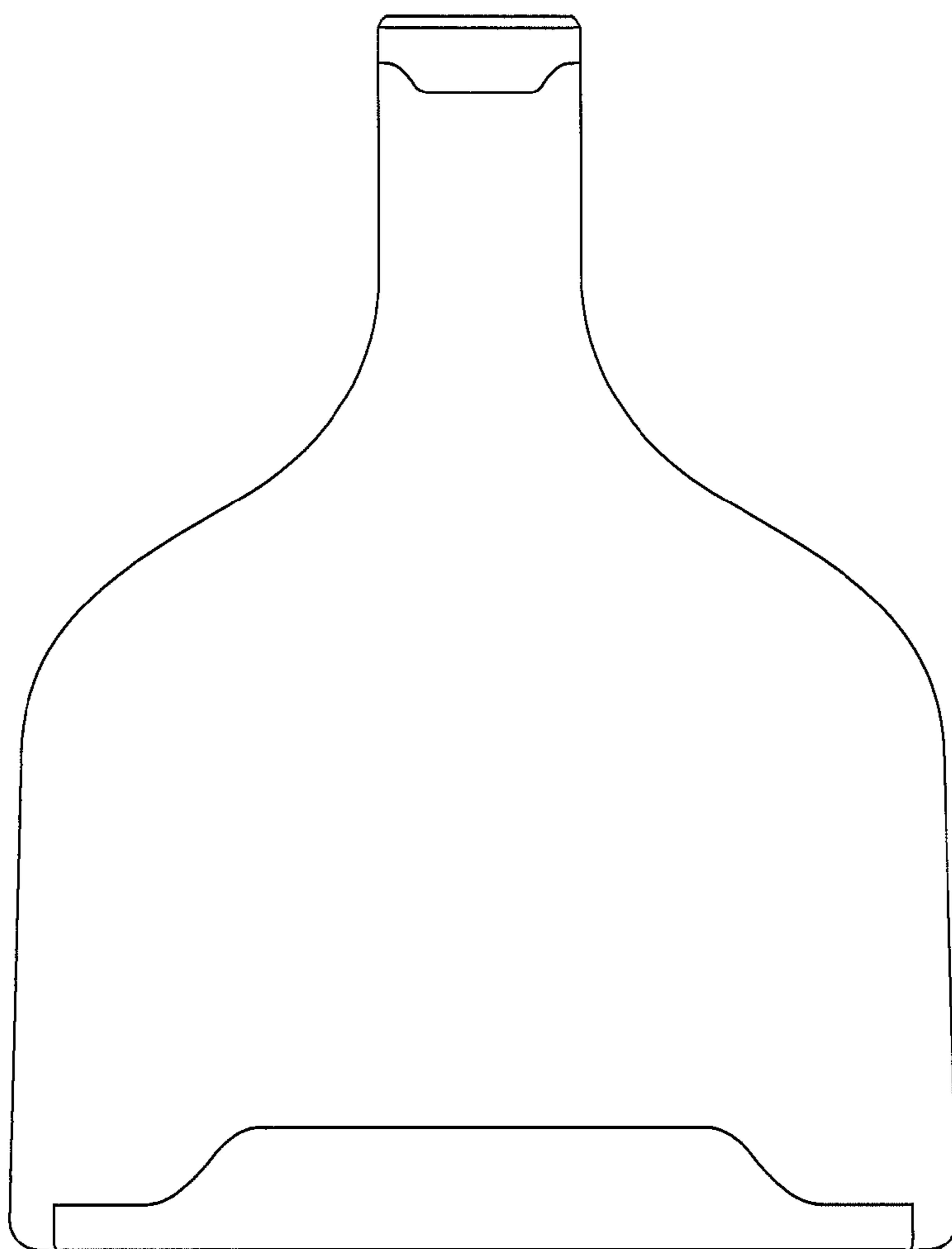


FIG. 19