



US00D734909S

(12) **United States Design Patent**
Clemen

(10) **Patent No.:** **US D734,909 S**
(45) **Date of Patent:** **** Jul. 21, 2015**

(54) **BROOM HEAD**

(71) Applicant: **Carl Freudenberg KG**, Weinheim (DE)

(72) Inventor: **Hans-Joerg Clemen**, Heidelberg (DE)

(73) Assignee: **CARL FREUDENBERG KG**,
Weinheim (DE)

(**) Term: **14 Years**

(21) Appl. No.: **29/446,169**

(22) Filed: **Feb. 21, 2013**

(30) **Foreign Application Priority Data**

- Aug. 30, 2012 (EM) 002094441-0001
- Aug. 30, 2012 (EM) 002094441-0002
- Aug. 30, 2012 (EM) 002094441-0003
- Aug. 30, 2012 (EM) 002094441-0004
- Aug. 30, 2012 (EM) 002094441-0005
- Aug. 30, 2012 (EM) 002094441-0006
- Aug. 30, 2012 (EM) 002094441-0007
- Aug. 30, 2012 (EM) 002094441-0008
- Aug. 30, 2012 (EM) 002094441-0009
- Aug. 30, 2012 (EM) 002094441-0010
- Aug. 30, 2012 (EM) 002094441-0011
- Aug. 30, 2012 (EM) 002094441-0012
- Aug. 30, 2012 (EM) 002094441-0013
- Aug. 30, 2012 (EM) 002094441-0014
- Aug. 30, 2012 (EM) 002094441-0015
- Aug. 30, 2012 (EM) 002094441-0016
- Aug. 30, 2012 (EM) 002094441-0017
- Aug. 30, 2012 (EM) 002094441-0018
- Aug. 30, 2012 (EM) 002094441-0019
- Aug. 30, 2012 (EM) 002094441-0020
- Aug. 30, 2012 (EM) 002094441-0021
- Aug. 30, 2012 (EM) 002094441-0022

(51) **LOC (10) Cl.** **04-01**

(52) **U.S. Cl.**
USPC **D32/50**

(58) **Field of Classification Search**
USPC D32/40, 50-52, 33, 38; 15/116.2, 118,
15/119.2, 244.3-244.4, 110-114, 146,
15/159.1, 249.1; D4/101, 104-110, 118,
D4/128-136, 199

See application file for complete search history.

(56) **References Cited**

U.S. PATENT DOCUMENTS

- 82,705 A * 10/1868 Gibson 15/111
- 83,932 A * 11/1868 Colman 15/111

(Continued)

FOREIGN PATENT DOCUMENTS

- CN 300702235 * 10/2007
- CN 300967598 * 7/2009
- GB 2103787 * 9/2001
- GB 4002989 * 6/2007
- GB 4012095 * 8/2009

OTHER PUBLICATIONS

Sell PVC broom fiber—Tai Hing Nylon Filament Products Co., Ltd.,
update date Oct. 14, 2011, [online], <http://michellechow.en.ec21.com/offer_detail/Sell_PVC_broom_fiber--13311297.html?gubun=S>, [site visited Dec. 27, 2014 7:47:02 PM].*

(Continued)

Primary Examiner — John Windmuller

Assistant Examiner — John R Yeh

(74) *Attorney, Agent, or Firm* — Leydig, Voit & Mayer, Ltd.

(57) **CLAIM**

The ornamental design for a broom head, as shown and described.

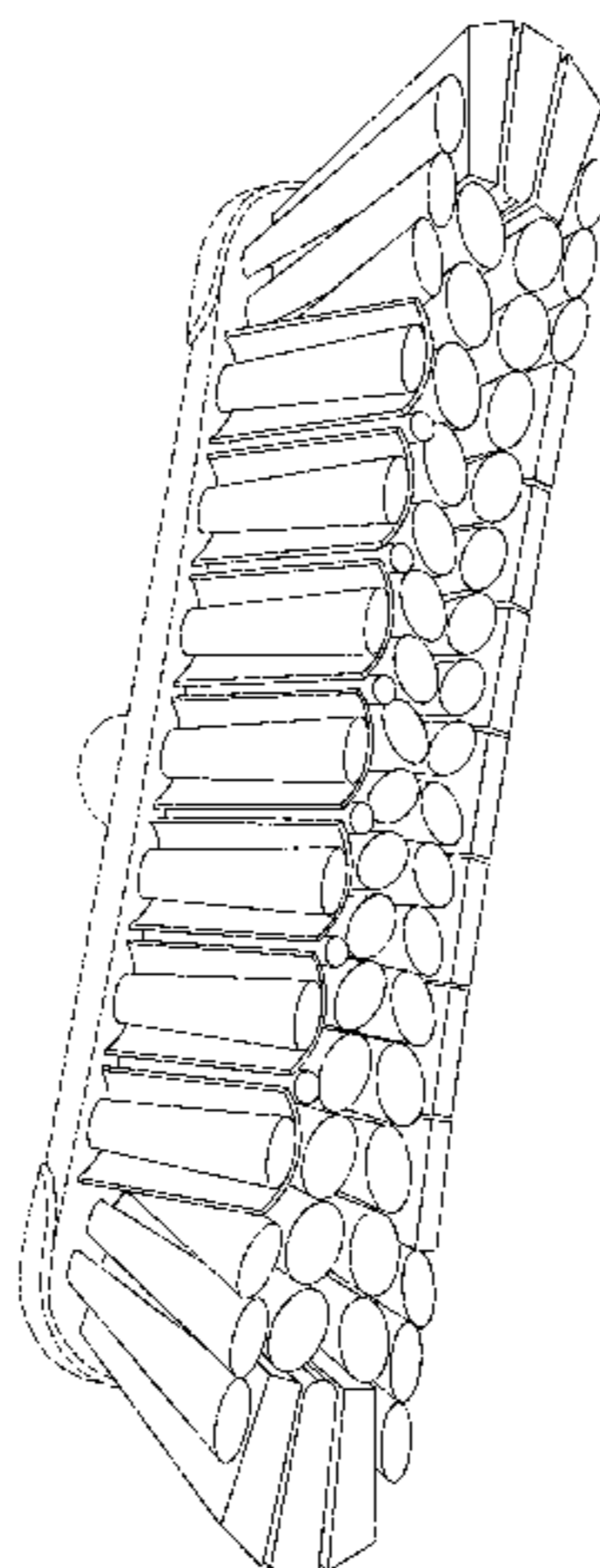
DESCRIPTION

FIG. 1 is a left front underneath perspective view of the broom head;

FIG. 2 is a right back above perspective view thereof; and,
FIG. 3 is a left side view of which the right side is a mirror image thereof.

The broken line portions of the drawings show unclaimed subject matter for illustrative purposes only and form no part of the claimed design.

1 Claim, 3 Drawing Sheets



(56)

References Cited

U.S. PATENT DOCUMENTS

116,346	A *	6/1871	O'Brian	15/111
131,620	A *	9/1872	Malarkey	15/112
647,225	A *	4/1900	Graham	15/111
729,338	A *	5/1903	Hawkins	15/148
912,115	A *	2/1909	Grafflin	15/114
1,018,927	A *	2/1912	Sarrazin	15/167.1
1,303,439	A *	5/1919	Wilson	403/192
D289,338	S *	4/1987	Sartori	D32/50
4,776,054	A *	10/1988	Rauch	15/167.1
5,511,275	A *	4/1996	Volpenhein et al.	15/167.1
5,628,082	A *	5/1997	Moskovich	15/110
D402,117	S *	12/1998	Fleming et al.	D4/104
6,035,476	A *	3/2000	Underwood et al.	15/22.1
D448,569	S *	10/2001	Harris et al.	D4/104
D606,316	S *	12/2009	Driesen et al.	D4/101
8,185,999	B2 *	5/2012	Boyd et al.	15/111
8,893,344	B2 *	11/2014	Boucherie	15/171
2004/0154112	A1 *	8/2004	Braun et al.	15/22.1
2006/0117508	A1 *	6/2006	Hohlbein	15/110

OTHER PUBLICATIONS

Oates Clean Brush, google publish date Oct. 6, 2009, [online], <<http://www.jooyong.com.sg/catalogue.aspx?strProdName=OATES%20Corner%20Scrub&strProdId=477&strProd-BrandID=6>>, [site visited Dec. 27, 2014 8:05:01 PM].*

Harper Push Brooms, google publish date Jan. 5, 2011, [online], <<http://www.harperbrush.com/Products-Harper/push-brooms>>, [site visited Dec. 27, 2014 7:53:23 PM].*

Deluxe Broom Head—Soft Bristles | Brushware and Brooms, website copyright 2011, [online], <<http://www.robert-scott.co.uk/RobertScott/web.nsf/products/F6E05EEFFCC016CC802571DF004BFCBD>>, [site visited Dec. 27, 2014 7:56:16 PM].*

Statewide 1 Pty Ltd, google publish date Jul. 20, 2011, [online], <http://www.statewide1.com.au/product_info.php?cPath=3_82&products_id=7874>, [site visited Dec. 27, 2014 8:10:16 PM].*

* cited by examiner

Fig. 1

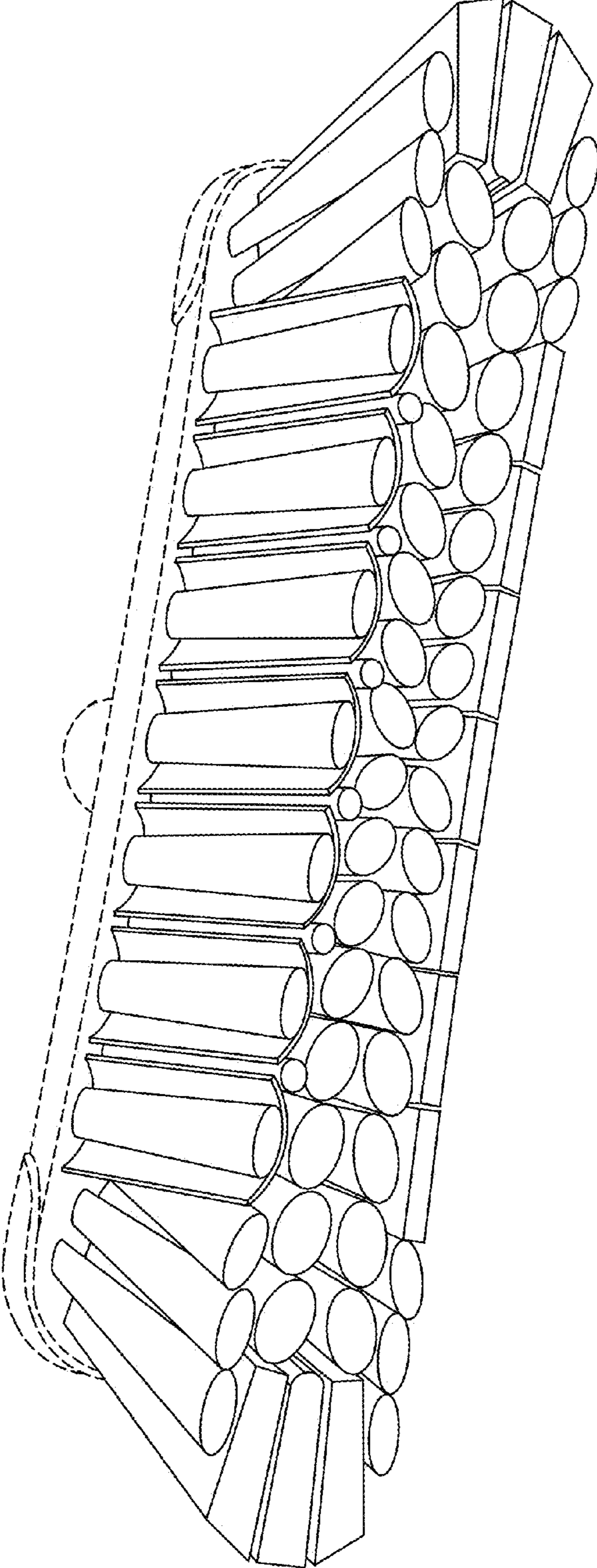
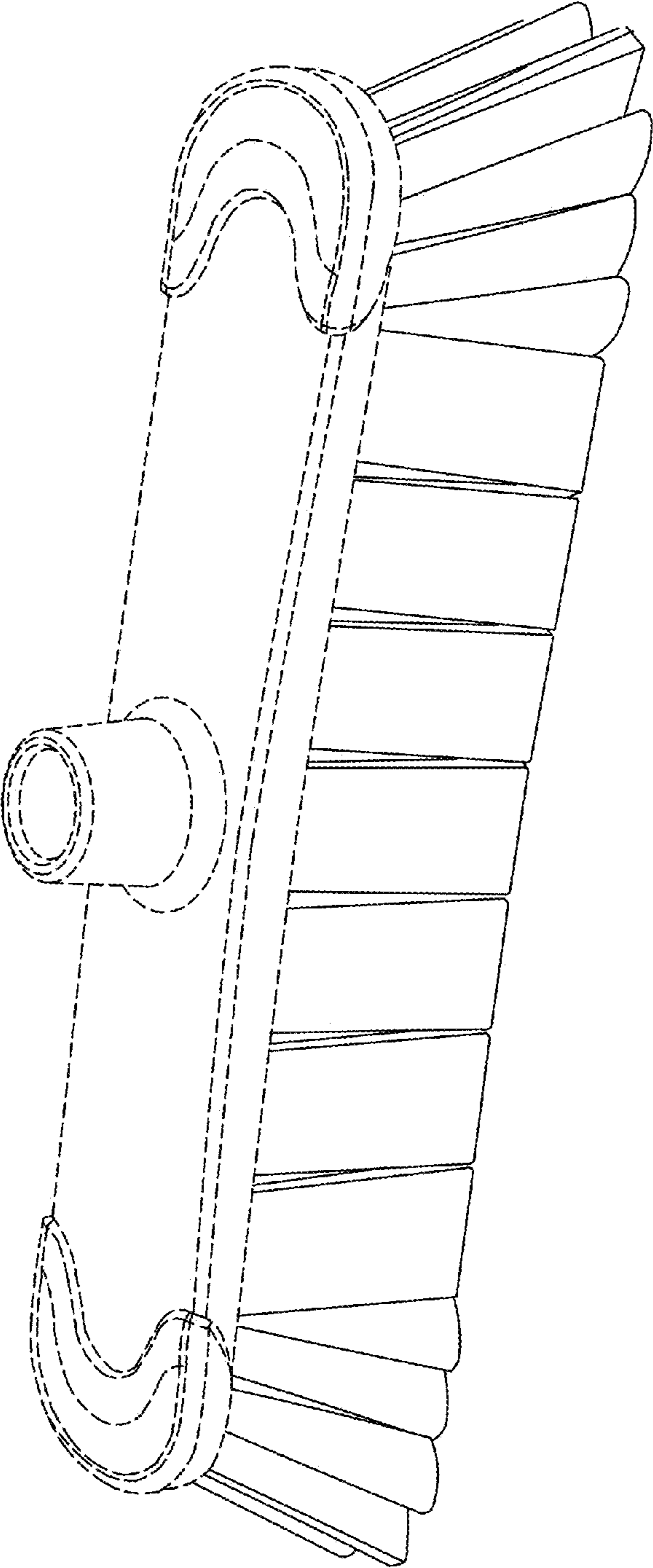


Fig. 2



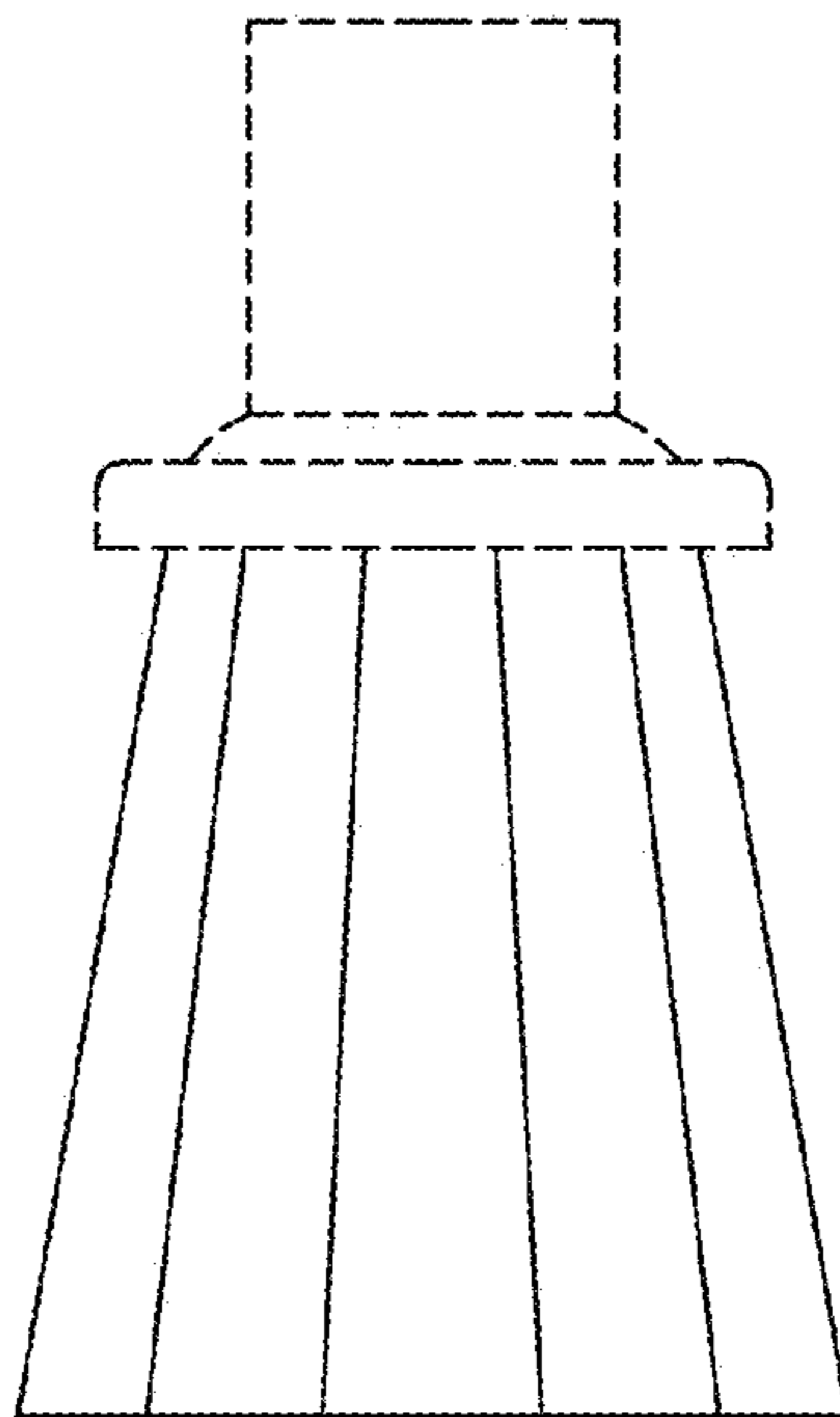


Fig. 3