



US00D734907S

(12) **United States Design Patent**
Dooley et al.

(10) **Patent No.:** **US D734,907 S**
(45) **Date of Patent:** **** Jul. 21, 2015**

(54) **ROBOT**
(71) Applicant: **iRobot Corporation**, Bedford, MA (US)
(72) Inventors: **Michael J. Dooley**, Pasadena, CA (US);
Nikolai Romanov, Oak Park, CA (US)
(73) Assignee: **iRobot Corporation**, Bedford, MA (US)
(**) Term: **14 Years**
(21) Appl. No.: **29/503,412**
(22) Filed: **Sep. 25, 2014**
(51) **LOC (10) Cl.** **15-05**
(52) **U.S. Cl.**
USPC **D32/31**
(58) **Field of Classification Search**
USPC D32/19–21, 25, 31–33; D4/102, 127,
D4/128, 133, 136
CPC A47J 37/0713; A47L 9/2842; A47L
2201/00; A47L 5/30; A47L 5/28; A47L
5/362; A47L 9/04; A46B 13/005; A46B
13/001; A61C 17/26; G06N 3/008; B25J
9/1697; G01S 13/931; B62D 58/032; B62D
57/032; E01H 1/053; E01H 1/02
See application file for complete search history.

6,296,558 B1 10/2001 Poole et al.
6,305,046 B1 10/2001 Kingry et al.
6,327,741 B1 12/2001 Reed
6,641,469 B2 11/2003 Deshler
6,685,547 B2 2/2004 Boman
6,779,217 B2 8/2004 Fisher
6,810,305 B2 10/2004 Kirkpatrick
7,013,528 B2 3/2006 Parker et al.
7,337,494 B2 3/2008 Baer et al.
7,346,428 B1 3/2008 Huffman et al.
7,416,477 B2 8/2008 Henke et al.
7,451,516 B2 11/2008 Tanaka
7,488,242 B2 2/2009 Gringer et al.
7,506,397 B2 3/2009 Tanaka
7,568,255 B1 8/2009 Krebs
7,607,192 B2 10/2009 Flora et al.
7,670,210 B2 3/2010 Annis
7,784,139 B2 8/2010 Sawalski et al.
D625,059 S * 10/2010 Morenstein et al. D32/21
D625,060 S * 10/2010 Morenstein et al. D32/21
D625,477 S * 10/2010 Morenstein et al. D32/21
7,832,048 B2 11/2010 Harwig et al.

(Continued)

Primary Examiner — Ruth McInroy
(74) *Attorney, Agent, or Firm* — Fish & Richardson P.C.

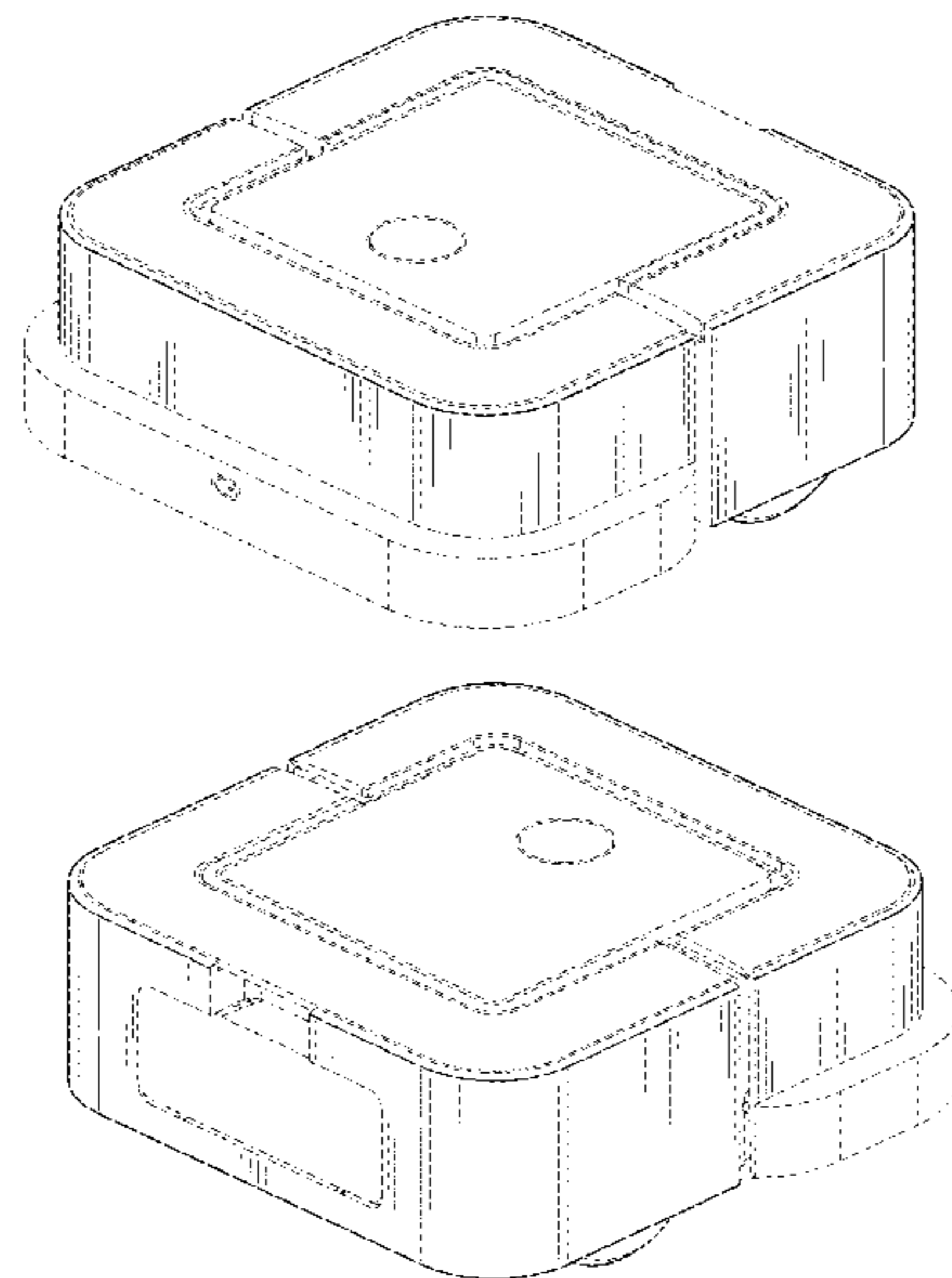
(57) **CLAIM**
The ornamental design for a robot, as shown and described.

DESCRIPTION

FIG. 1 is a front perspective view of a robot showing our new design;
FIG. 2 is a rear perspective view thereof;
FIG. 3 is a front view thereof;
FIG. 4 is a rear view thereof;
FIG. 5 is a left side view thereof;
FIG. 6 is a right side view thereof;
FIG. 7 is a top view thereof; and,
FIG. 8 is a bottom view thereof.
The broken lines illustrate environmental features and boundaries that form no part of the claimed design.

1 Claim, 4 Drawing Sheets

(56) **References Cited**
U.S. PATENT DOCUMENTS
D184,968 S * 4/1959 Sundberg D32/21
D186,501 S * 11/1959 Sundberg D32/21
D195,719 S * 7/1963 Musichuk D32/21
D196,831 S * 11/1963 Musichuk D32/21
4,516,361 A 5/1985 Gringer
5,512,010 A 4/1996 Labad
5,621,291 A 4/1997 Lee
5,701,630 A 12/1997 Liao
5,804,942 A 9/1998 Jeong
5,902,176 A 5/1999 Chen
6,098,239 A 8/2000 Vosbikian
6,202,250 B1 3/2001 Kenmochi et al.



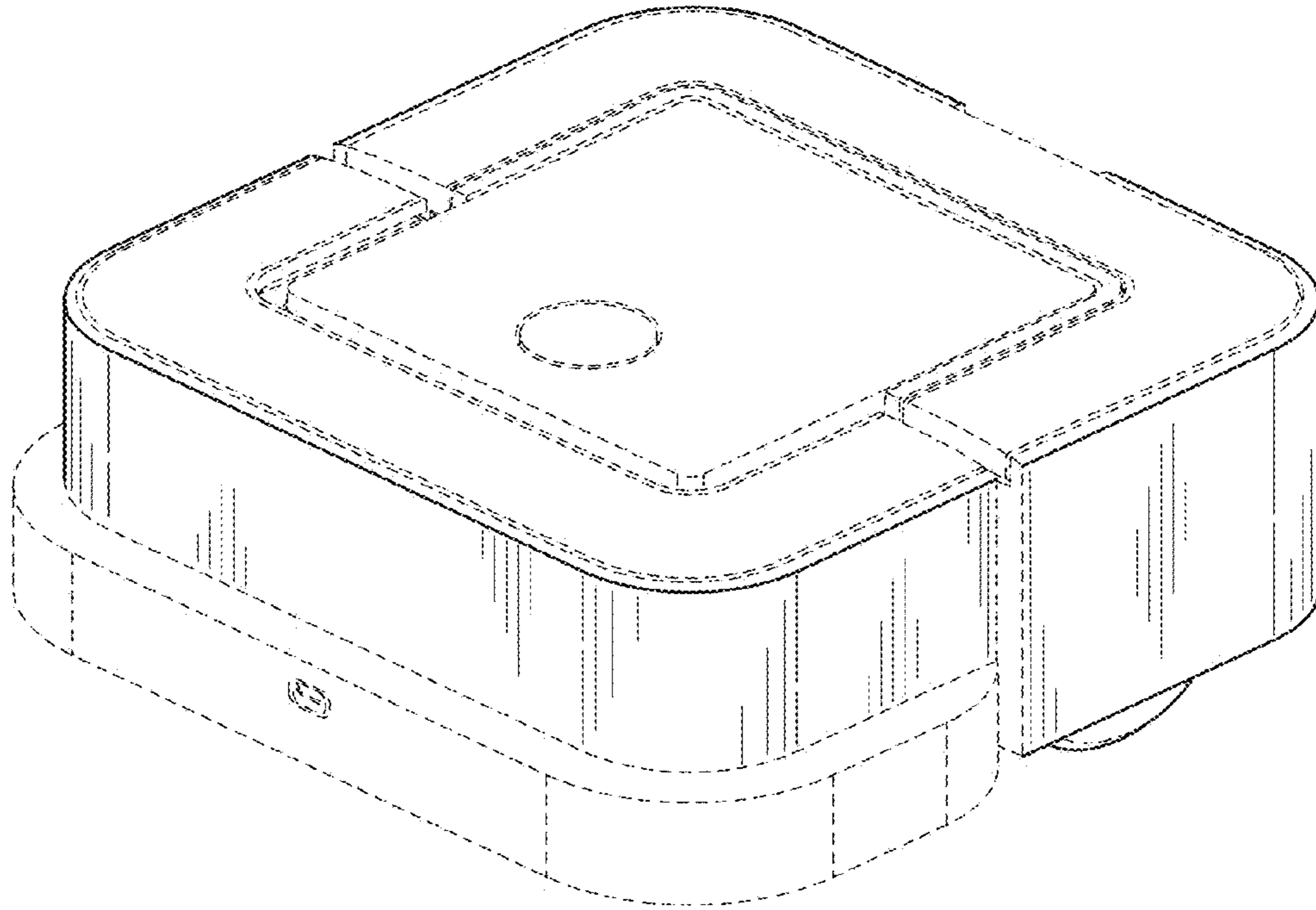


FIG. 1

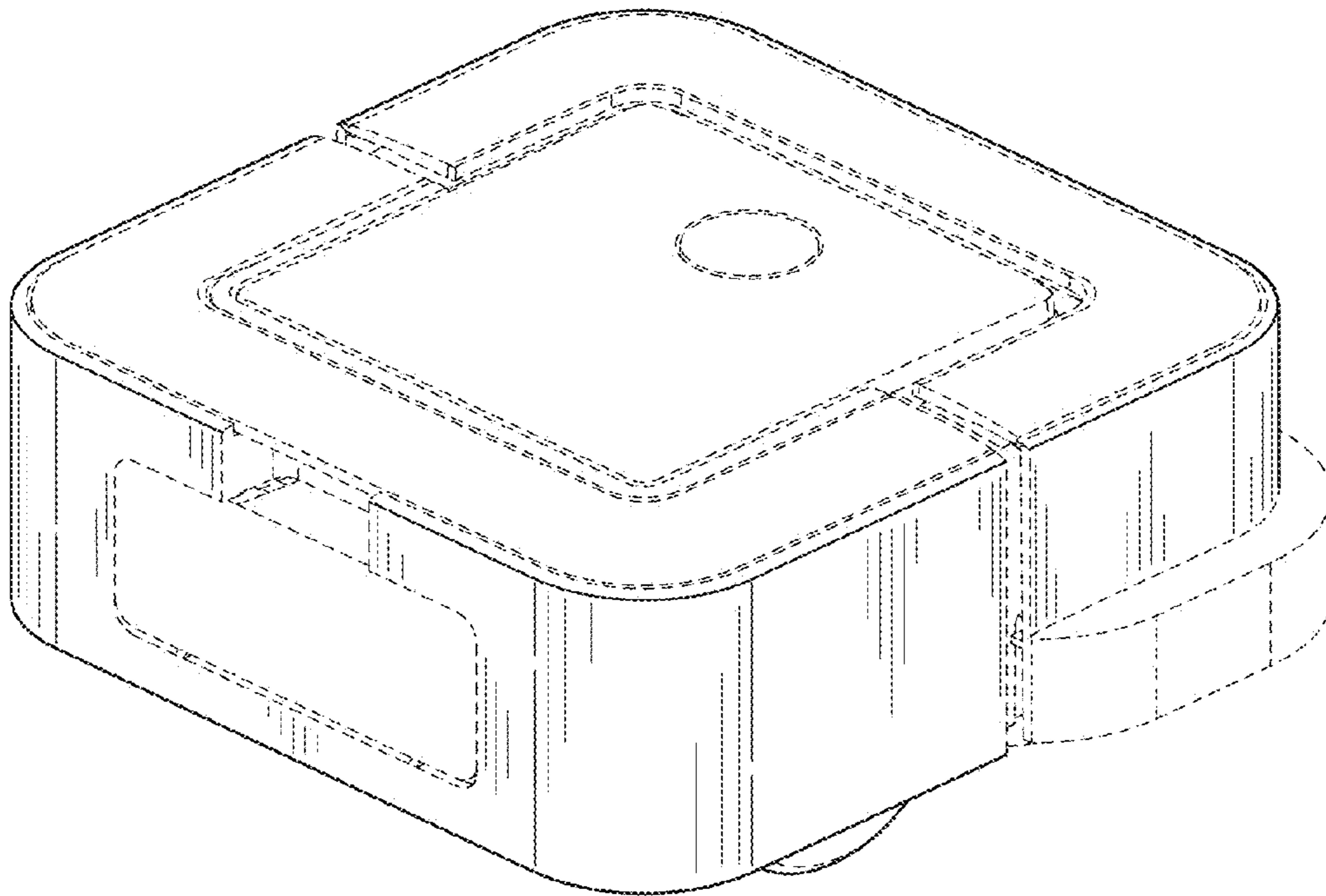


FIG. 2

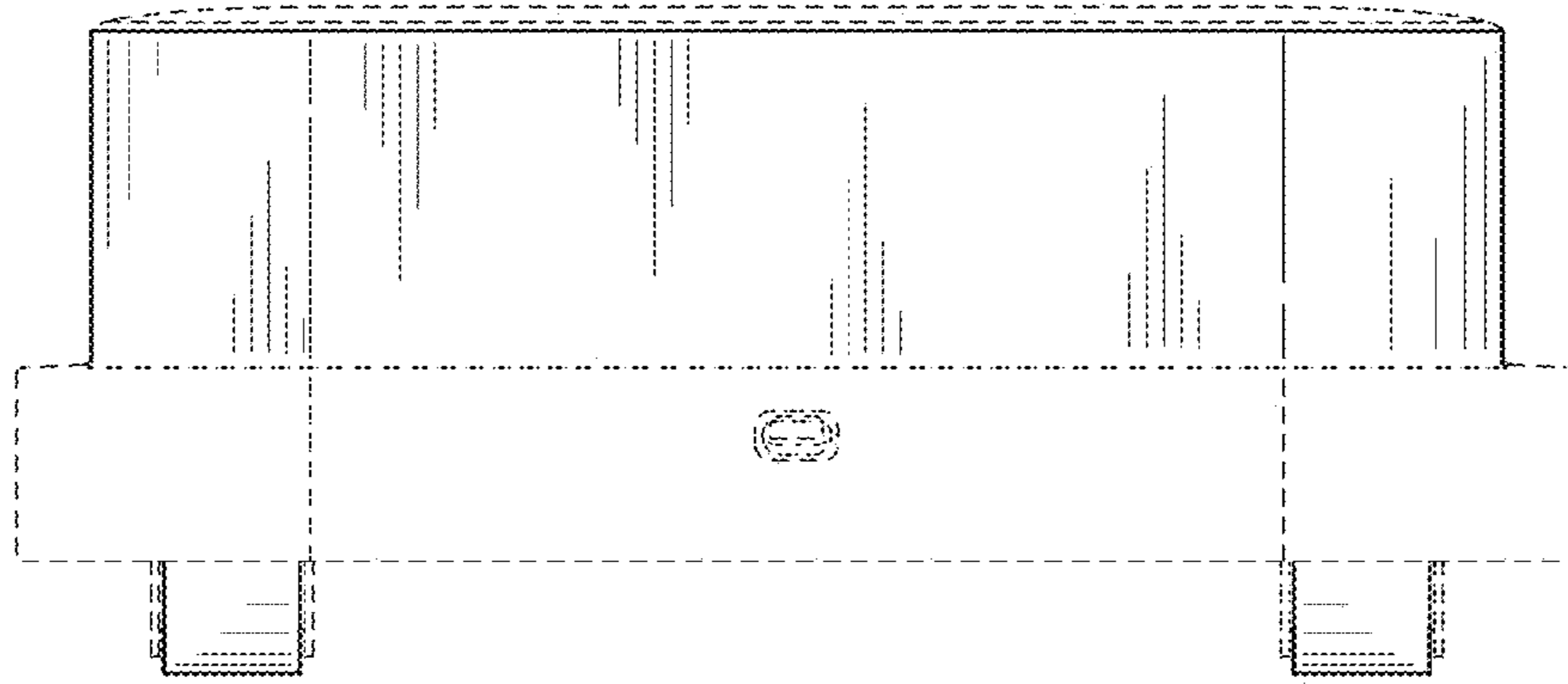


FIG. 3

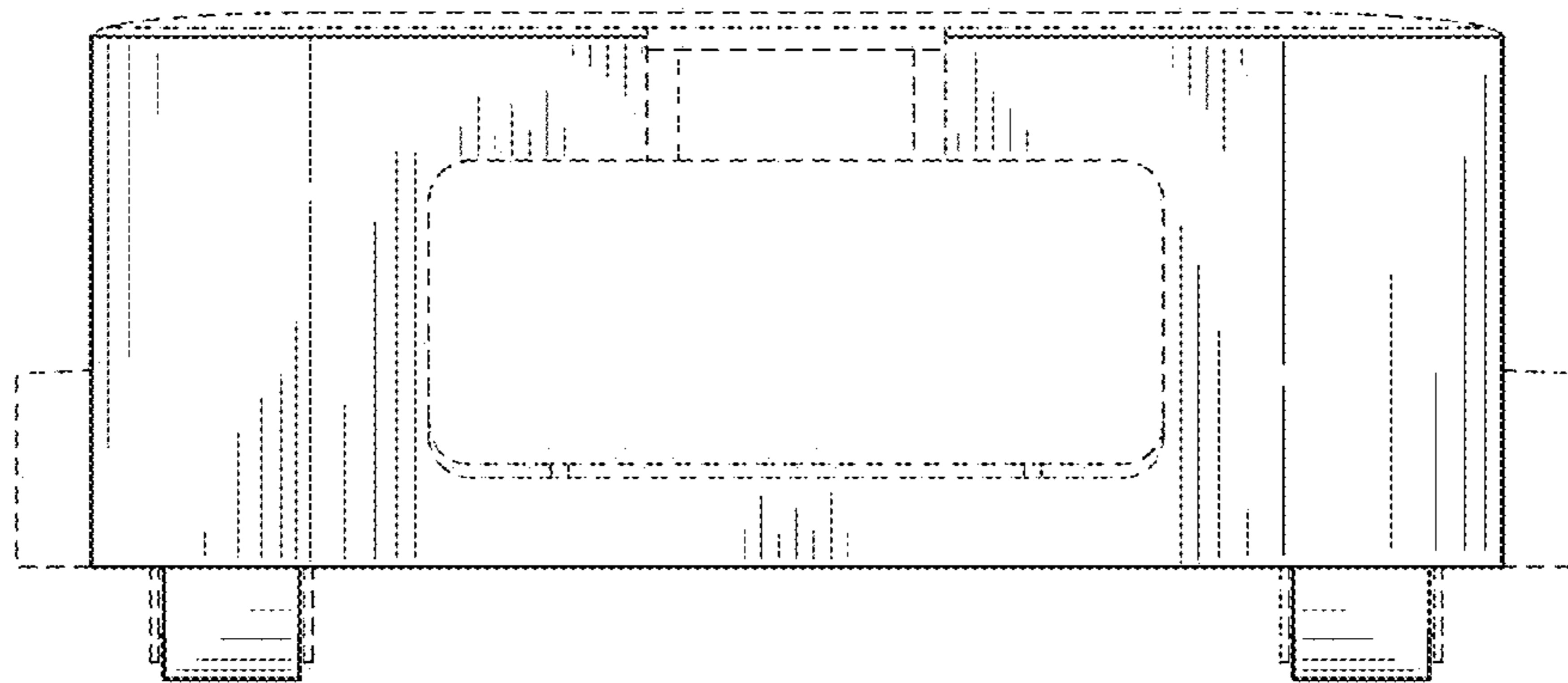


FIG. 4

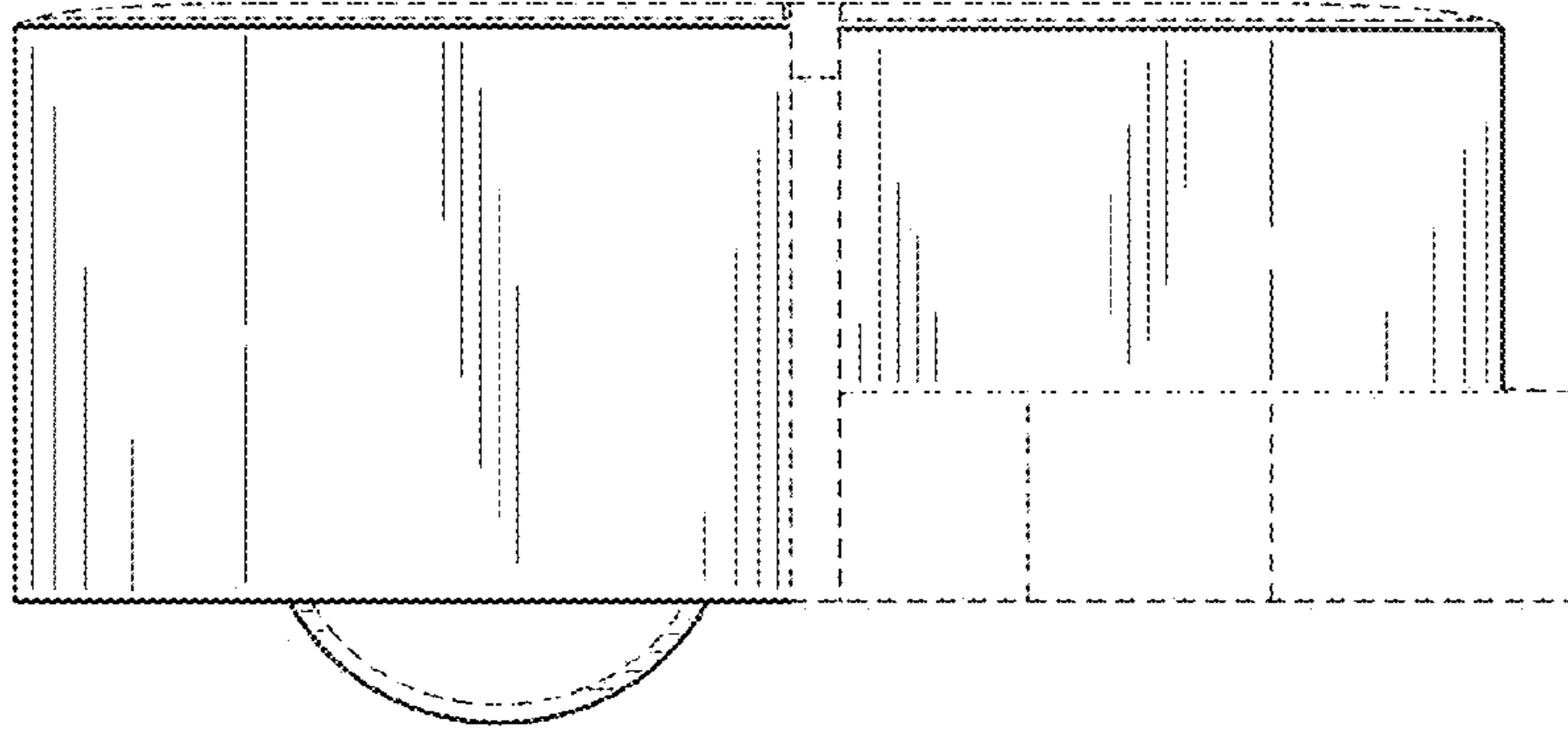


FIG. 5

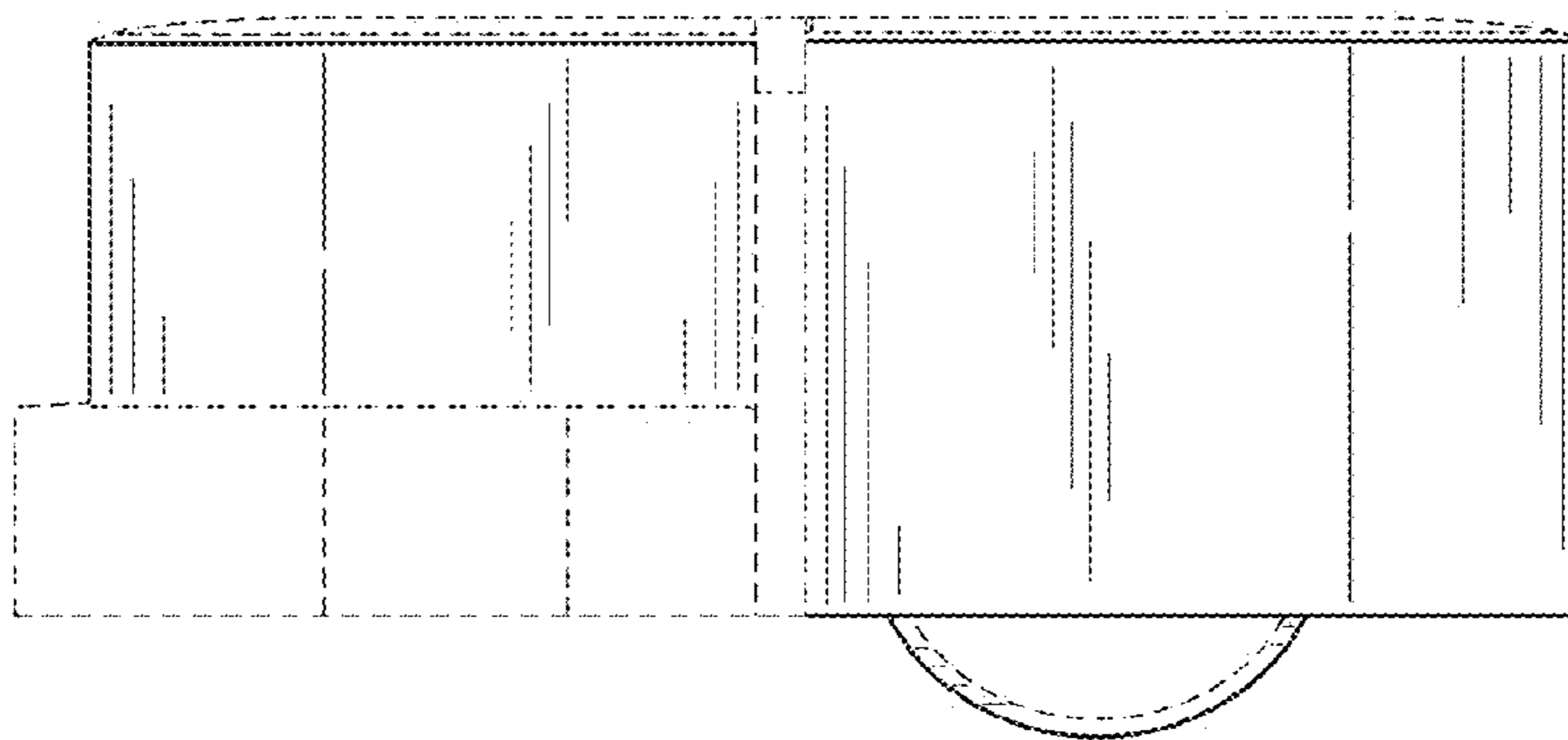


FIG. 6

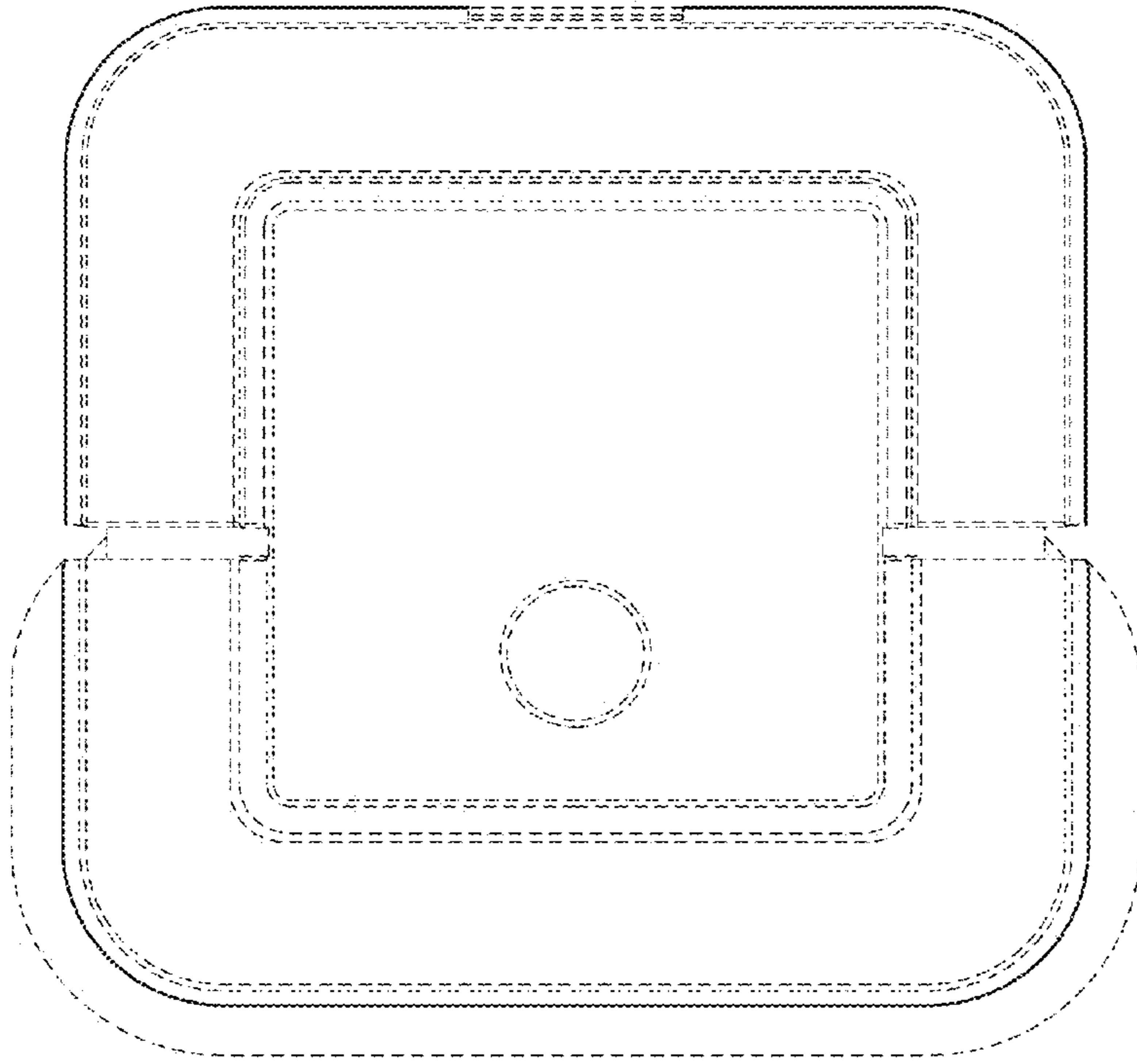


FIG. 7

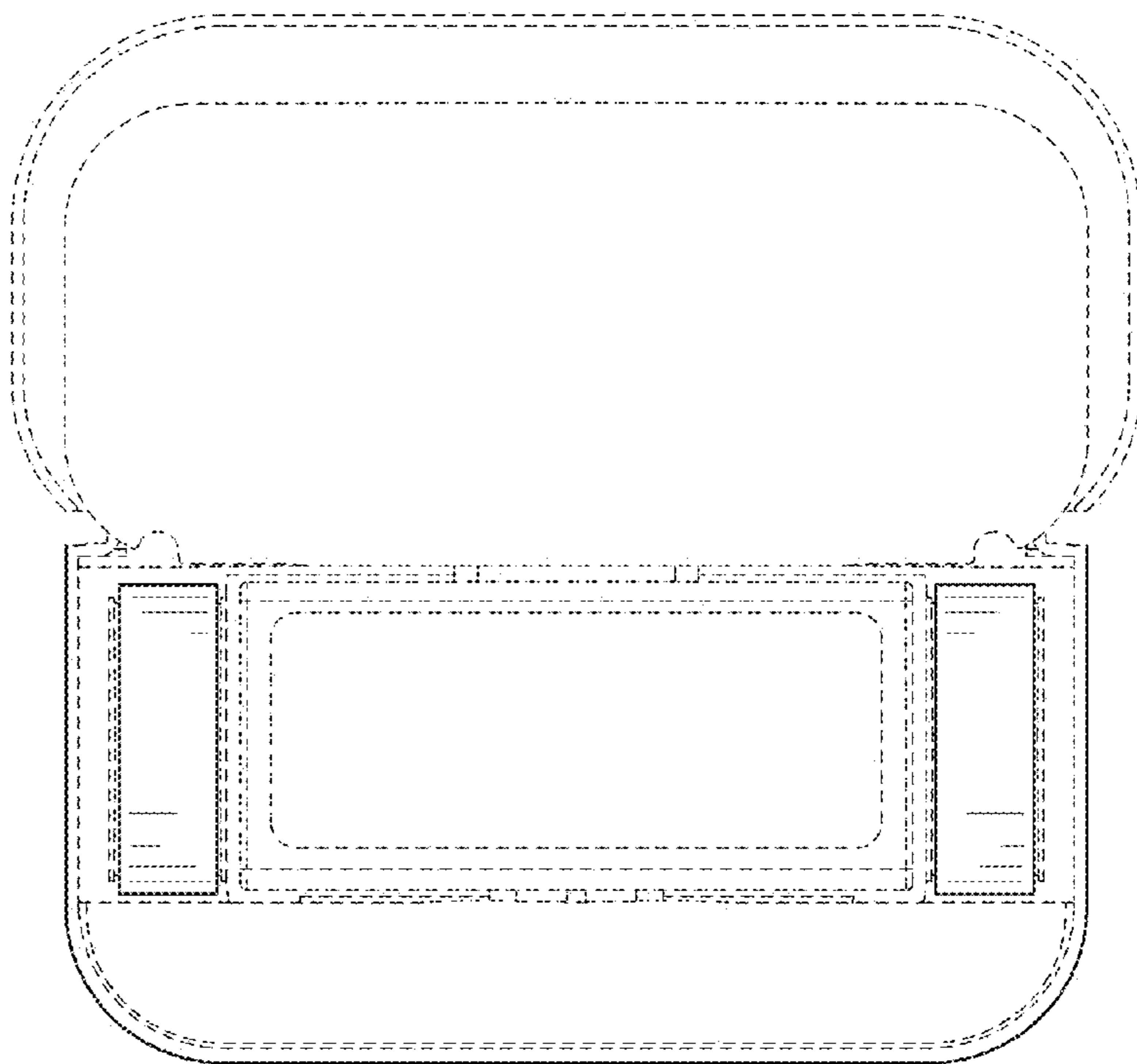


FIG. 8