



US00D734903S

(12) **United States Design Patent**
Hames

(10) **Patent No.:** **US D734,903 S**

(45) **Date of Patent:** **** Jul. 21, 2015**

(54) **CLEANING ATTACHMENT FOR A LEAF
BLOWER NOZZLE**

(71) Applicant: **Robert W. Hames**, Chesapeake, VA
(US)

(72) Inventor: **Robert W. Hames**, Chesapeake, VA
(US)

(**) Term: **14 Years**

(21) Appl. No.: **29/440,420**

(22) Filed: **Dec. 21, 2012**

(51) **LOC (10) Cl.** **15-05**

(52) **U.S. Cl.**
USPC **D32/15**

(58) **Field of Classification Search**
USPC 30/128; 15/245; D4/118; D32/42, 53.1,
D32/41, 46, 49, 48, 45, 60
See application file for complete search history.

(56) **References Cited**

U.S. PATENT DOCUMENTS

1,402,485	A	1/1922	Fredriksen et al.	
2,535,253	A *	12/1950	Anderson	30/128
2,899,063	A	8/1959	Ellis, Jr.	
3,675,266	A	7/1972	Murray et al.	
3,676,888	A *	7/1972	Akers	15/245
D269,054	S *	5/1983	Bauer	D4/118
D269,302	S *	6/1983	Auerbach	D32/42
D270,105	S *	8/1983	Erickson	D32/42
D297,476	S *	8/1988	Ross et al.	D32/53.1
4,812,070	A	3/1989	Marty	
4,945,604	A	8/1990	Milner et al.	
D315,975	S *	4/1991	Huang	D32/41
5,054,159	A	10/1991	Richardson	
D336,783	S *	6/1993	Hopkins et al.	D4/118
D357,563	S *	4/1995	Vosbikian	D32/41
D361,182	S *	8/1995	Ellul	D32/42
D364,717	S *	11/1995	Trapp	D32/42
D373,251	S *	9/1996	Young	D4/118

D383,907	S *	9/1997	Fey et al.	D4/118
D397,591	S *	9/1998	Susini, III	D8/10
D398,111	S *	9/1998	Avrans	D32/46
D431,101	S *	9/2000	Gracy	D32/49
6,353,960	B1	3/2002	Janicelli, Jr.	
D470,985	S *	2/2003	Zemel	D32/48
D485,656	S *	1/2004	Anderson et al.	D32/42
D497,258	S *	10/2004	Puckett	D4/118
D497,483	S *	10/2004	Bock	D4/118
D564,230	S *	3/2008	Schouten	D4/118

(Continued)

FOREIGN PATENT DOCUMENTS

KR 300247293.0000 * 12/1998

OTHER PUBLICATIONS

Evergreen Power Ltd., Announced Dec. 20, 2011, [Site Visited Mar. 26, 2015] <https://evergreenpowerltd.wordpress.com/2011/12/>.*

(Continued)

Primary Examiner — Eric Goodman

Assistant Examiner — Luqman McNeil

(74) *Attorney, Agent, or Firm* — Robert C. Montgomery;
Montgomery Patent & Design, L.P.

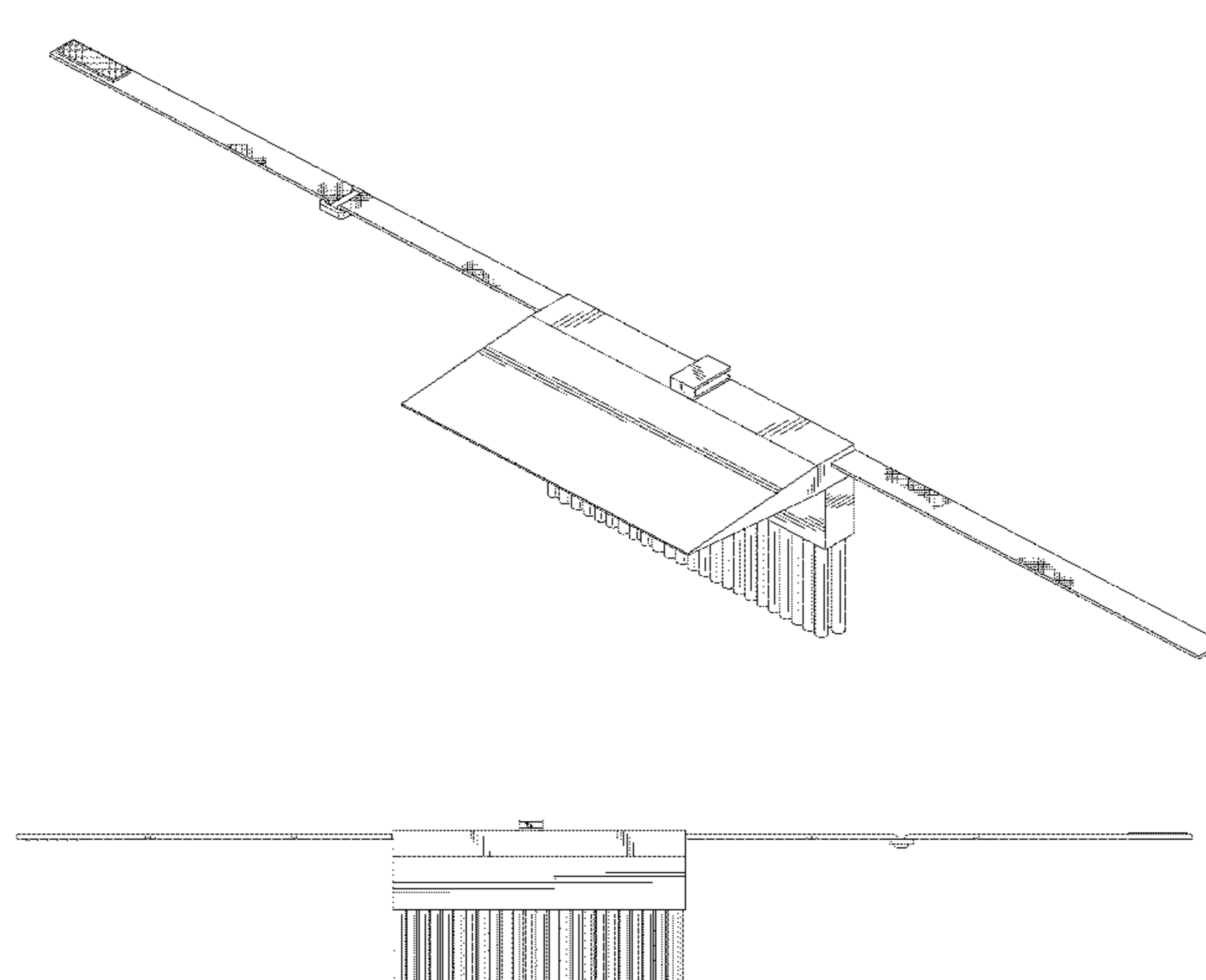
(57) **CLAIM**

The ornamental design for a cleaning attachment for a leaf blower nozzle, as shown and described.

DESCRIPTION

FIG. 1 is a perspective front view of a cleaning attachment for a leaf blower nozzle, showing my new design;
FIG. 2 is a front view thereof;
FIG. 3 is a rear view thereof;
FIG. 4 is a left side view thereof;
FIG. 5 is a right side view thereof;
FIG. 6 is a top view thereof; and,
FIG. 7 is a bottom view thereof.

1 Claim, 6 Drawing Sheets



(56)

References Cited

U.S. PATENT DOCUMENTS

D575,516	S	*	8/2008	Daniels	D4/118
D584,465	S	*	1/2009	Zach et al.	D32/45
D608,098	S	*	1/2010	Scott	D4/118
D612,118	S	*	3/2010	Williams	D32/41
D620,658	S	*	7/2010	Johnson	D32/46
D636,548	S	*	4/2011	Hoover	D32/49
D648,499	S	*	11/2011	Machacs	D32/60
D686,892	S	*	7/2013	Cagle	D8/10
2009/0260175	A1		10/2009	Petersen		

OTHER PUBLICATIONS

Garelick 89521 21-Foot Aluminum Snow Trap Roof Rake With 7-Foot Inch by 24-Inch Blade, Announced Nov. 5, 2011, [Site Visited Mar. 26, 2015] <http://www.roofrake.org/garelick-89521-21-foot-aluminum-snow-trap-roof-rake-with-7-inch-by-24-inch-blade/>.*

Honda Scraper Bar 75201-730-010, Announced Mar. 13, 2015, [Site Visited Mar. 26, 2015] <http://www.russopower.com/products/honda-scraper-bar-75201-730-010/>.*

* cited by examiner

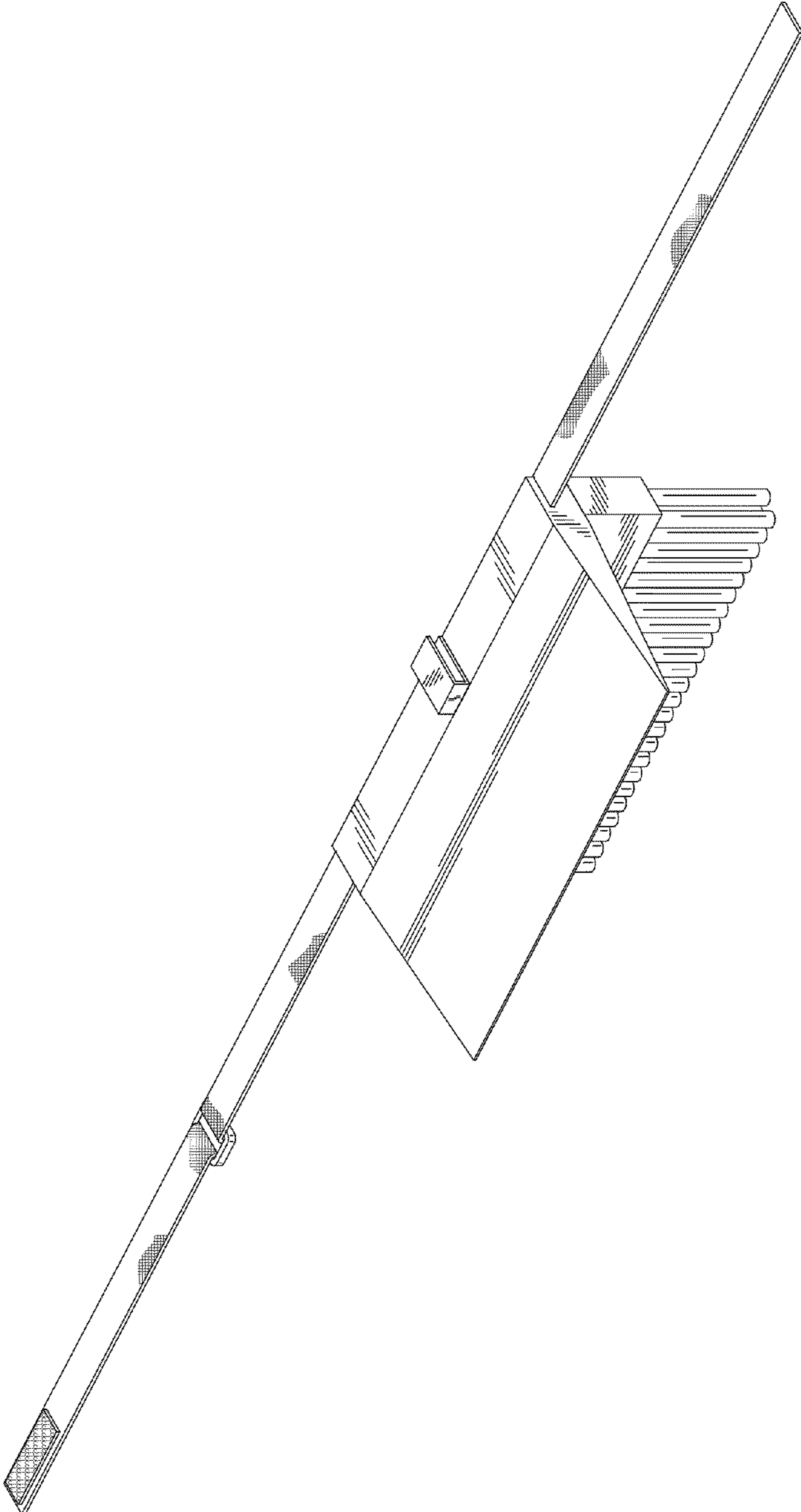


Fig. 1

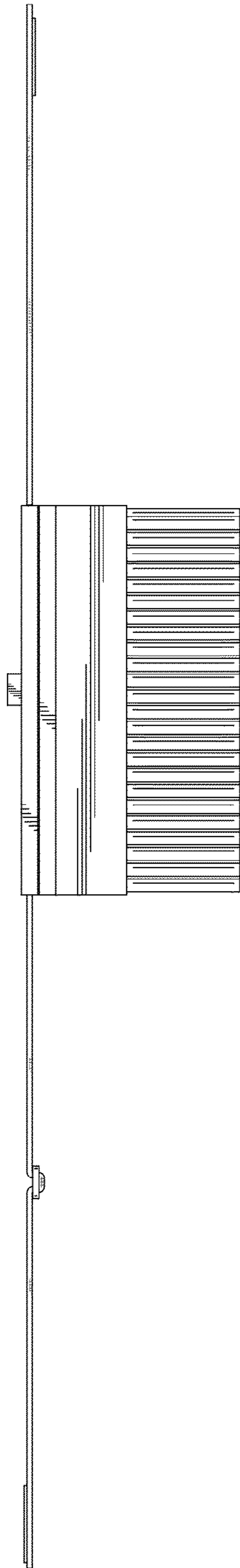


Fig. 2

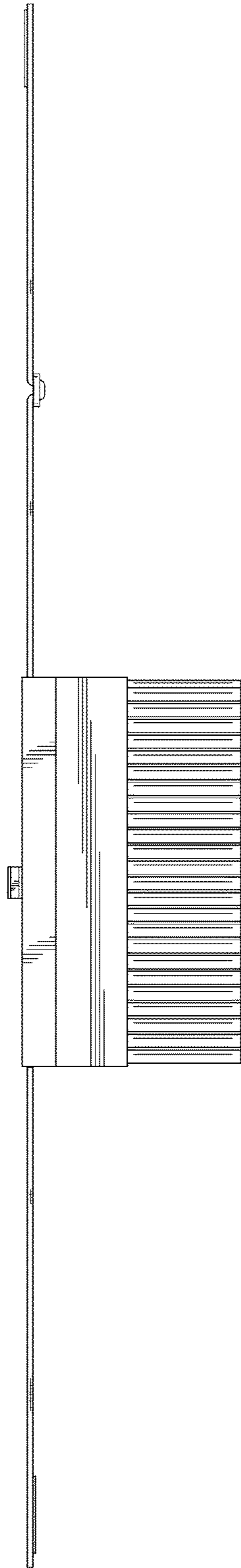


Fig. 3

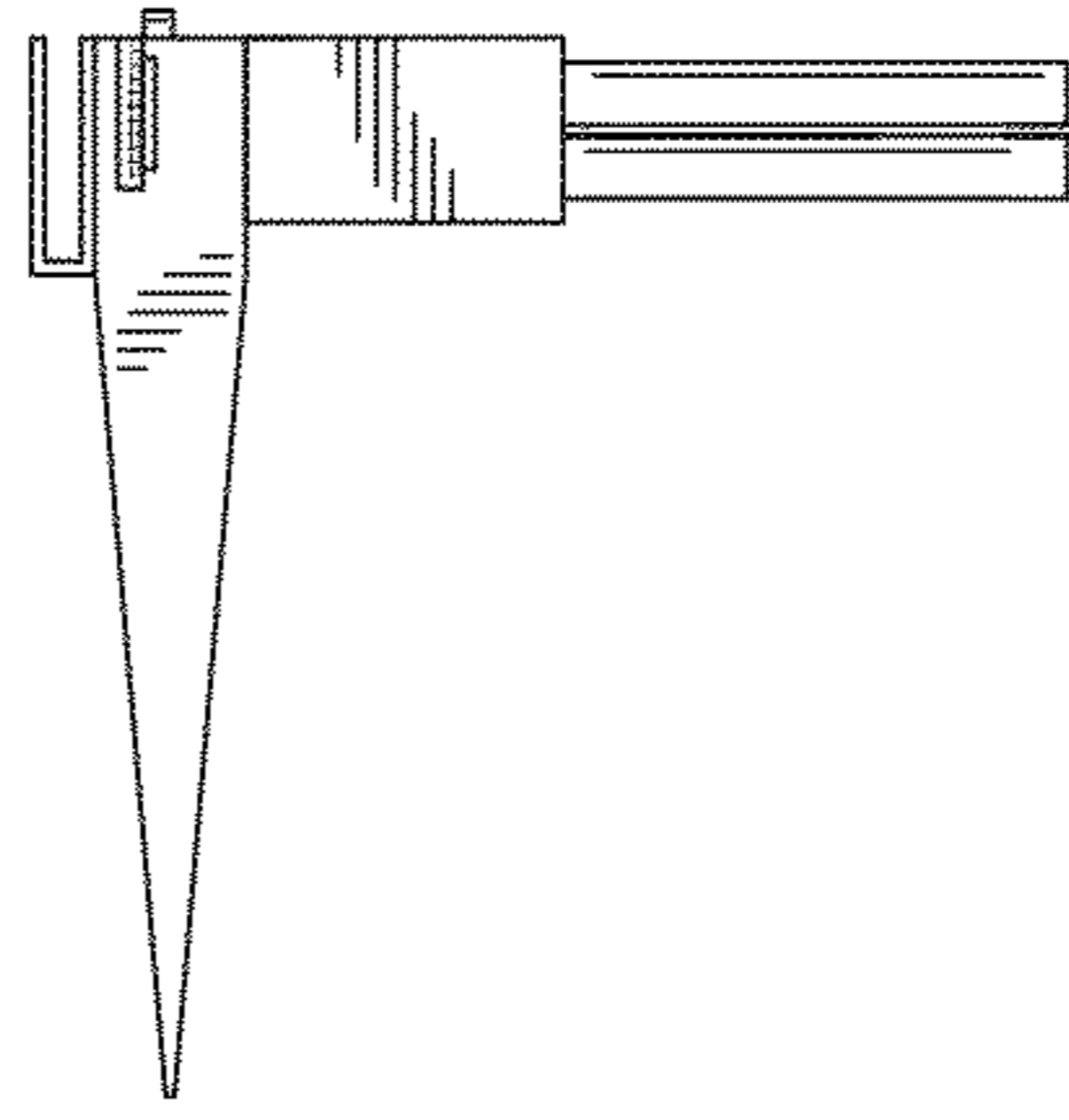


Fig. 5

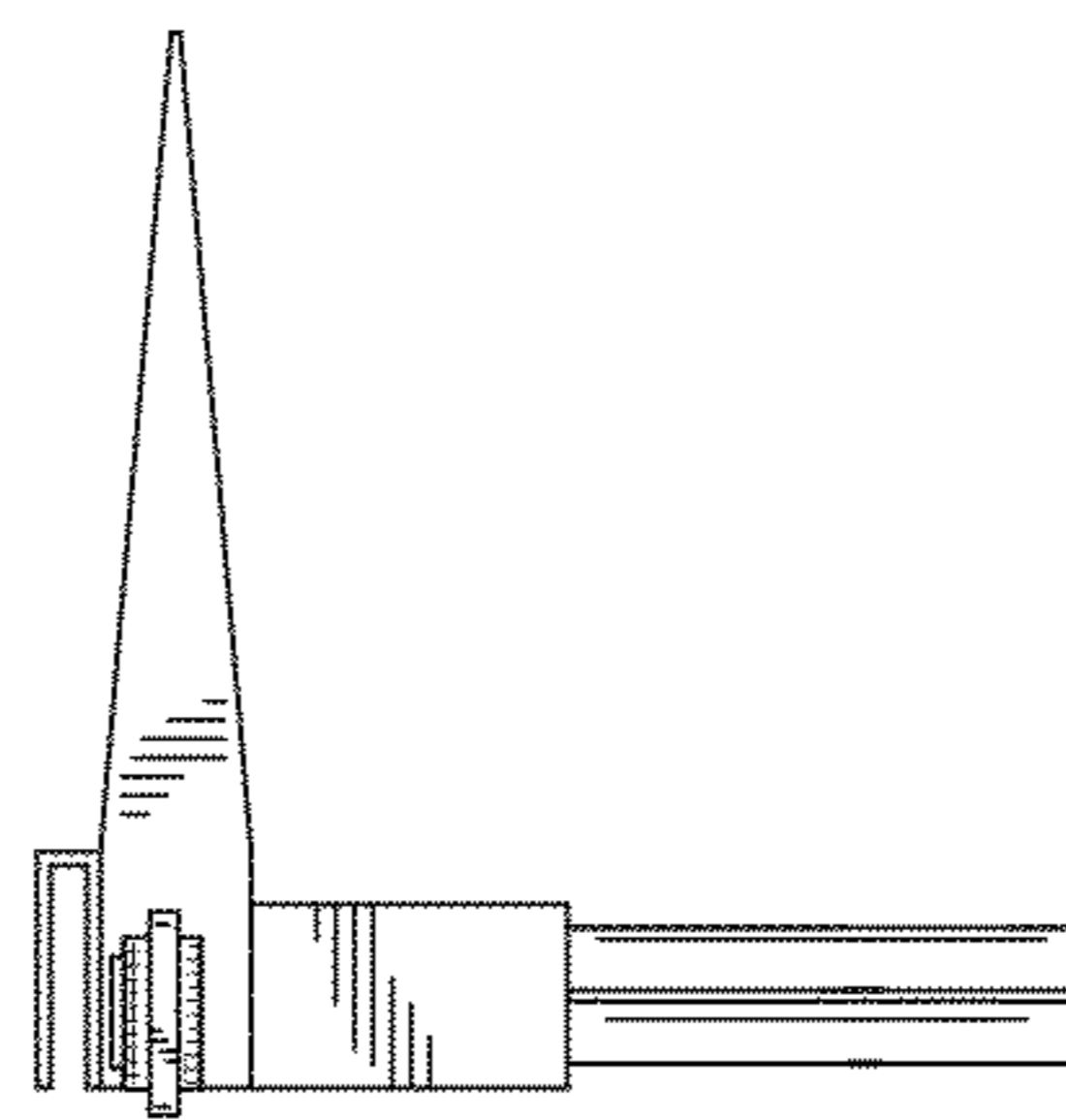


Fig. 4

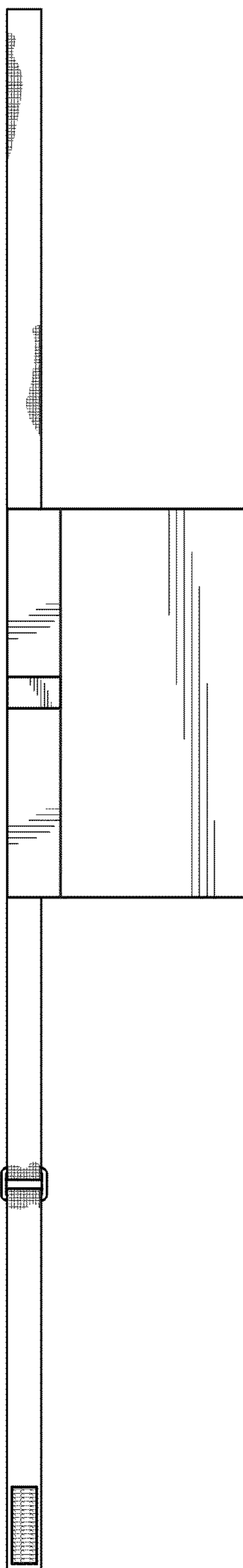


Fig. 6

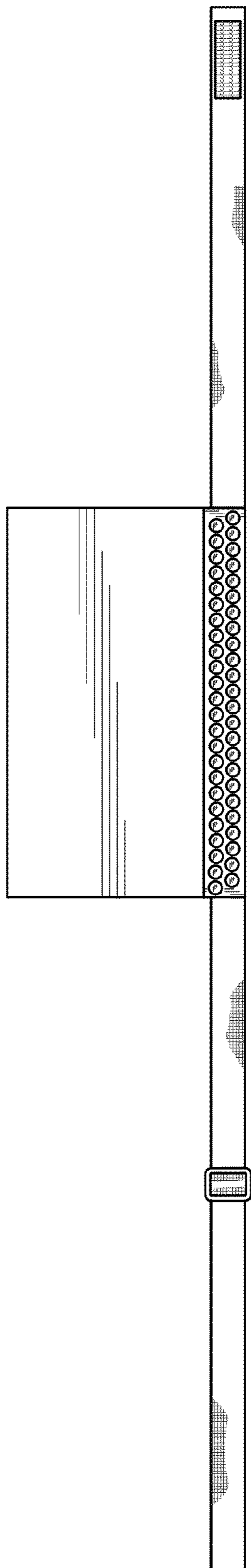


Fig. 7