



US00D734898S

(12) **United States Design Patent**
Lutz et al.

(10) **Patent No.:** **US D734,898 S**
(45) **Date of Patent:** **** Jul. 21, 2015**

- (54) **AQUATIC ANIMAL CONTAINER**
- (71) Applicant: **Elive LLC**, New Berlin, WI (US)
- (72) Inventors: **Thomas Lutz**, Cedar Rapids, IA (US);
Matthew Allen, Waterford, WI (US)
- (73) Assignee: **ELIVE LLC**, New Berlin, WI (US)
- (**) Term: **14 Years**
- (21) Appl. No.: **29/484,506**
- (22) Filed: **Mar. 10, 2014**
- (51) **LOC (10) Cl.** **30-02**
- (52) **U.S. Cl.**
USPC **D30/101; D30/105**
- (58) **Field of Classification Search**
USPC **D30/101-107; D11/145; D6/674,**
D6/661.3; D9/756, 426, 432; 47/69;
211/85.26; 119/245-248, 250, 253,
119/269, 265, 452
See application file for complete search history.

(56) **References Cited**

U.S. PATENT DOCUMENTS

- 781,413 A * 1/1905 Fisher D30/105
- 2,792,811 A * 5/1957 Di Chiaro 119/269

(Continued)

OTHER PUBLICATIONS

“EcoQube—Desktop Ecosystem That Grows Flowers and Herbs”,
by Aqua Design Innovations, <https://www.kickstarter.com/projects/kevinzl/ecoqube-desktop-ecosystem-that-grow-flowers-and-he>,
Dec. 30, 2013 (25 pages).

Primary Examiner — Wan Laymon

(74) *Attorney, Agent, or Firm* — Michael Best & Friedrich
LLP

(57) **CLAIM**

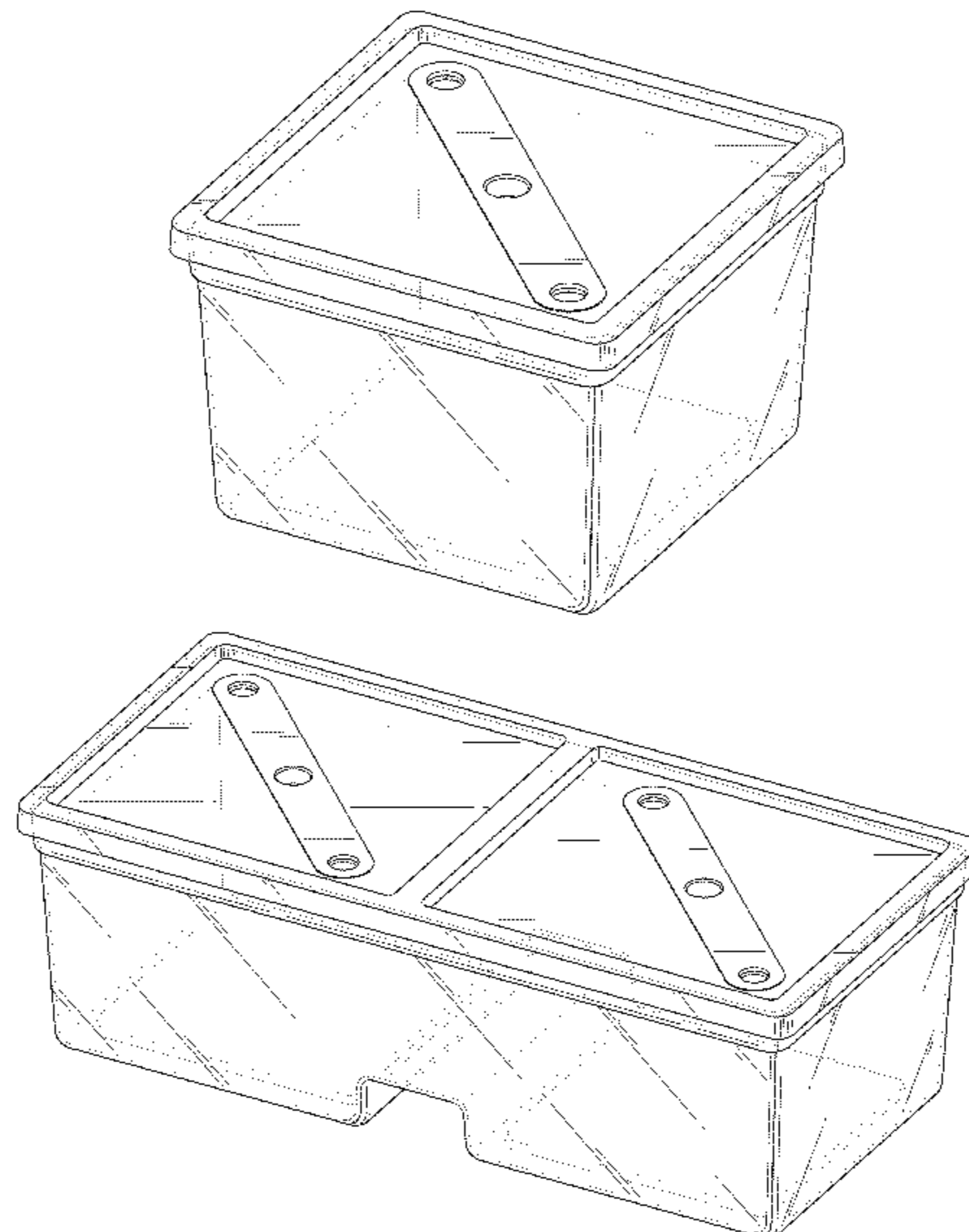
We claim the ornamental design for an aquatic animal container, as shown and described.

DESCRIPTION

FIG. 1 is a perspective view of an aquatic animal container embodying the invention;
 FIG. 2 is a side view of the aquatic animal container of FIG. 1;
 FIG. 3 is a top view of the aquatic animal container of FIG. 1;
 FIG. 4 is a front view of the aquatic animal container of FIG. 1;
 FIG. 5 is a perspective view of another aquatic animal container embodying the invention;
 FIG. 6 is a side view of the aquatic animal container of FIG. 5;
 FIG. 7 is a top view of the aquatic animal container of FIG. 5;
 FIG. 8 is a front view of the aquatic animal container of FIG. 5;
 FIG. 9 is a perspective view of another aquatic animal container embodying the invention;
 FIG. 10 is a front view of the aquatic animal container of FIG. 9;
 FIG. 11 is a top view of the aquatic animal container of FIG. 9;
 FIG. 12 is a side view of the aquatic animal container of FIG. 9;
 FIG. 13 is a perspective view of another aquatic animal container embodying the invention;
 FIG. 14 is a front view of the aquatic animal container of FIG. 13;
 FIG. 15 is a top view of the aquatic animal container of FIG. 13; and,
 FIG. 16 is a side view of the aquatic animal container of FIG. 13.

The elements shown in broken lines are included for the purpose of illustrating environment and form no part of the claimed design. In addition, the stipple shading portion within any drawing represents an opaque finish.

1 Claim, 14 Drawing Sheets



(56)

References Cited

U.S. PATENT DOCUMENTS

D208,243 S *	8/1967	Hayward	D30/105	6,305,324 B1	10/2001	Hallock et al.	
3,367,063 A *	2/1968	Bondesen et al.	D30/101	6,553,939 B1	4/2003	Austin et al.	
D279,413 S *	6/1985	Balducci	D30/101	6,588,371 B2	7/2003	Hallock et al.	
5,042,425 A	8/1991	Frost, Jr.		6,729,266 B1	5/2004	Gabriel et al.	
5,197,409 A	3/1993	Hammond		6,810,833 B2	11/2004	Bonner et al.	
D350,840 S *	9/1994	Carlisle	D30/101	7,032,540 B2	4/2006	Bonner et al.	
5,365,886 A	11/1994	Frost, Jr.		7,237,509 B2	7/2007	Bonner et al.	
5,413,070 A	5/1995	DeWalt		7,527,022 B2	5/2009	Bonner et al.	
D362,135 S	9/1995	Wilson et al.		7,594,481 B2	9/2009	Carter et al.	
5,551,378 A *	9/1996	Dewalt	119/253	7,810,452 B2	10/2010	Pieretto et al.	
				8,316,802 B2	11/2012	Hallock	
				2014/0251932 A1 *	9/2014	Lutz et al.	211/85.26

* cited by examiner

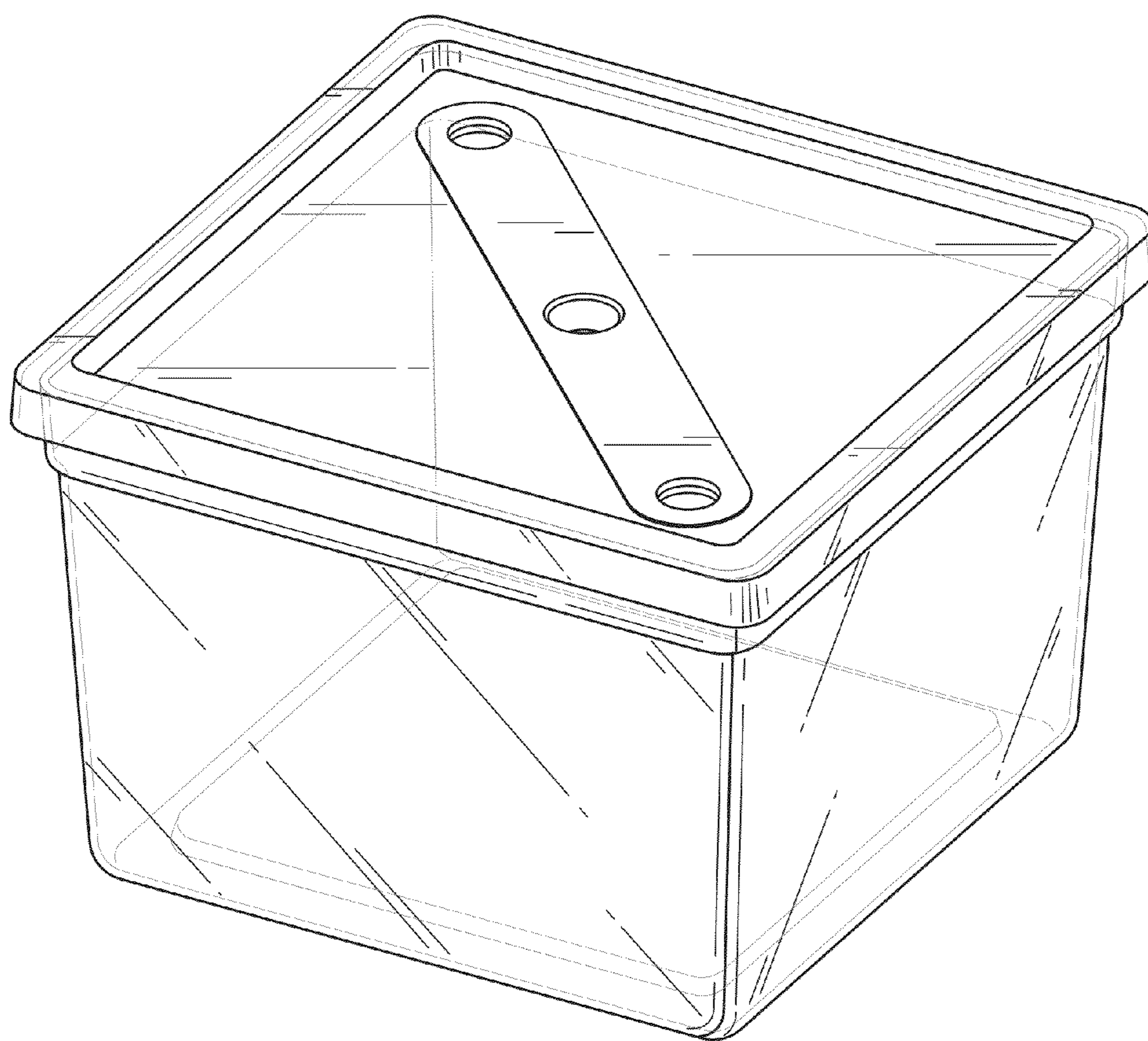


FIG. 1

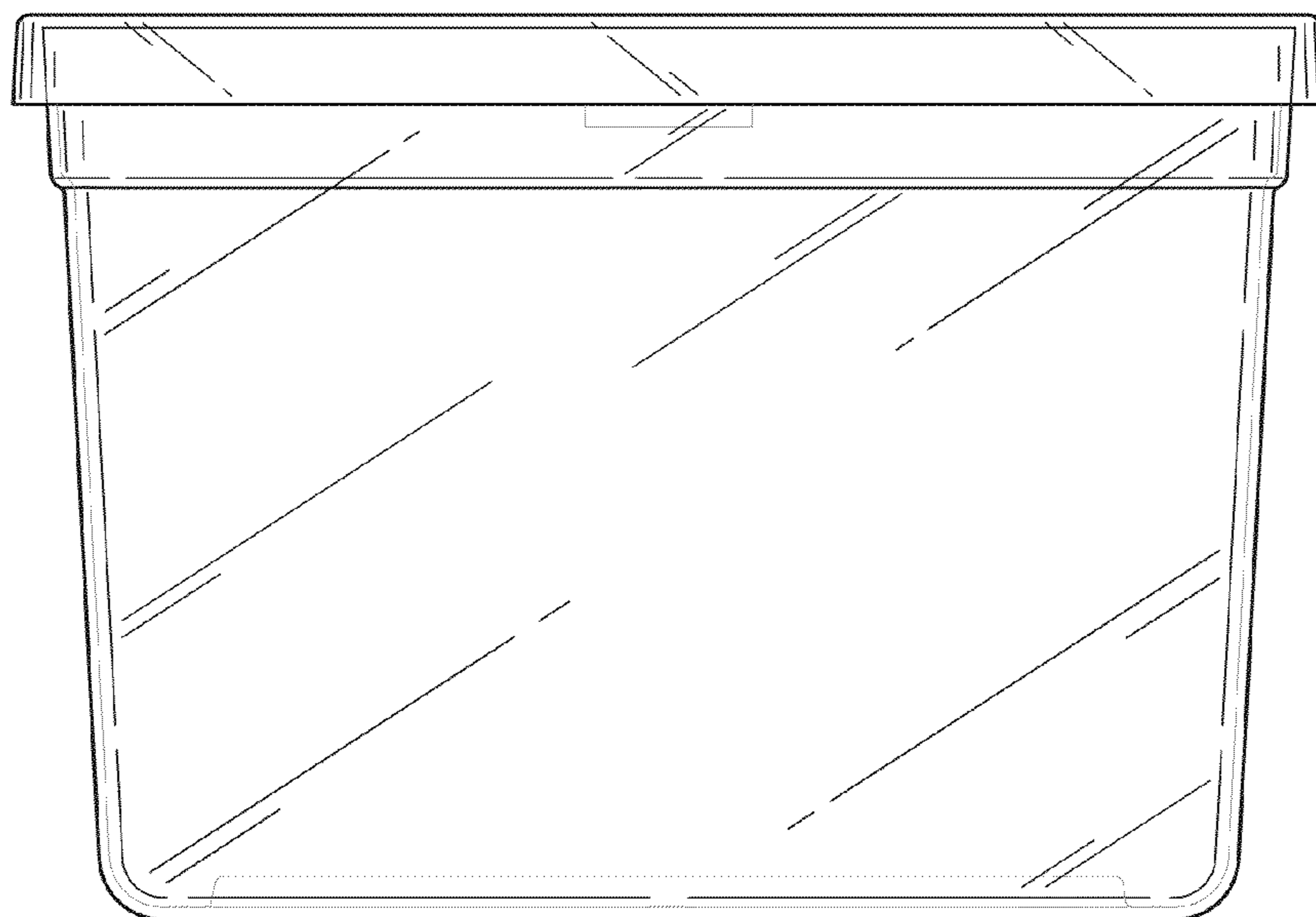


FIG. 2

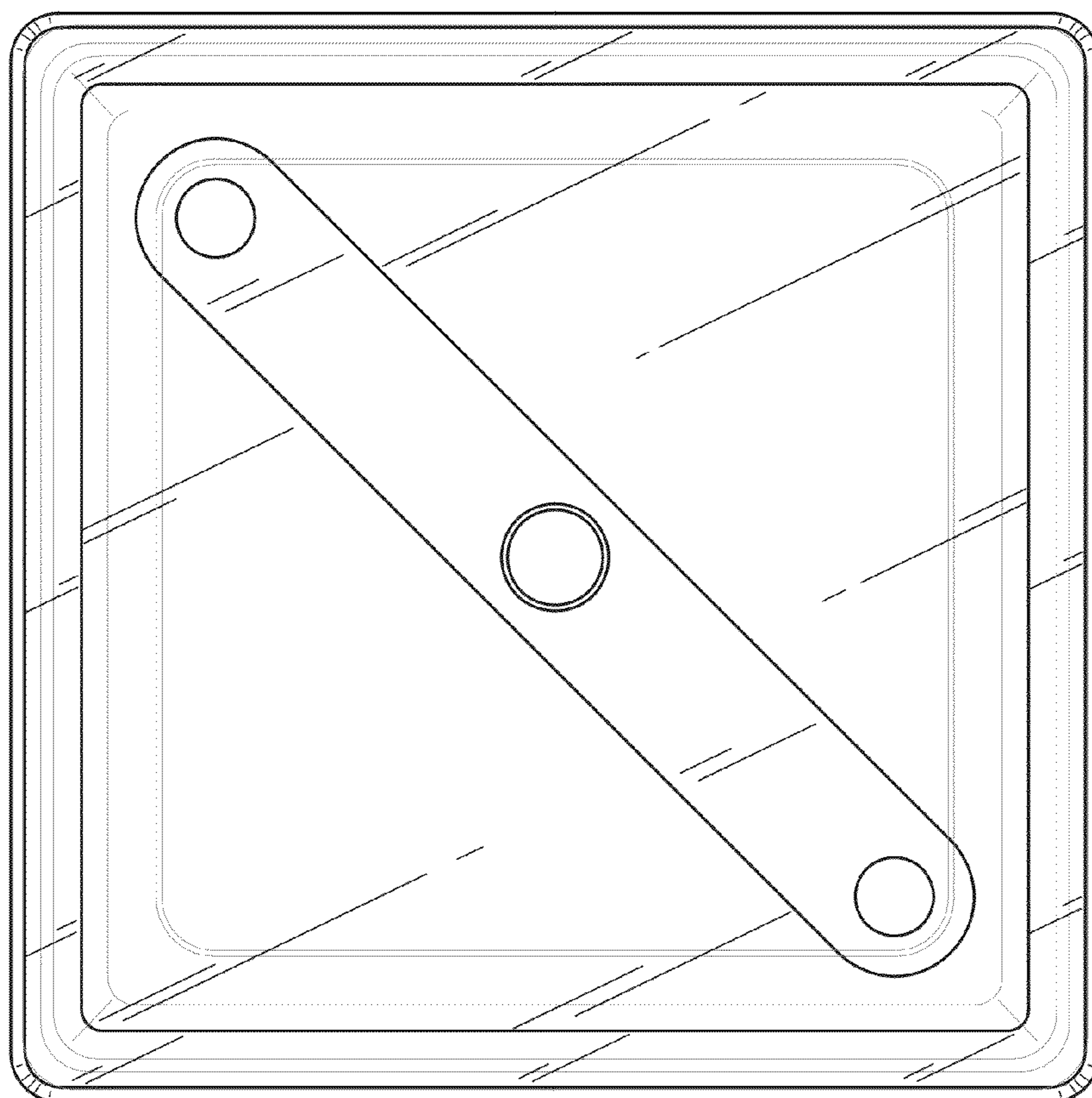


FIG. 3

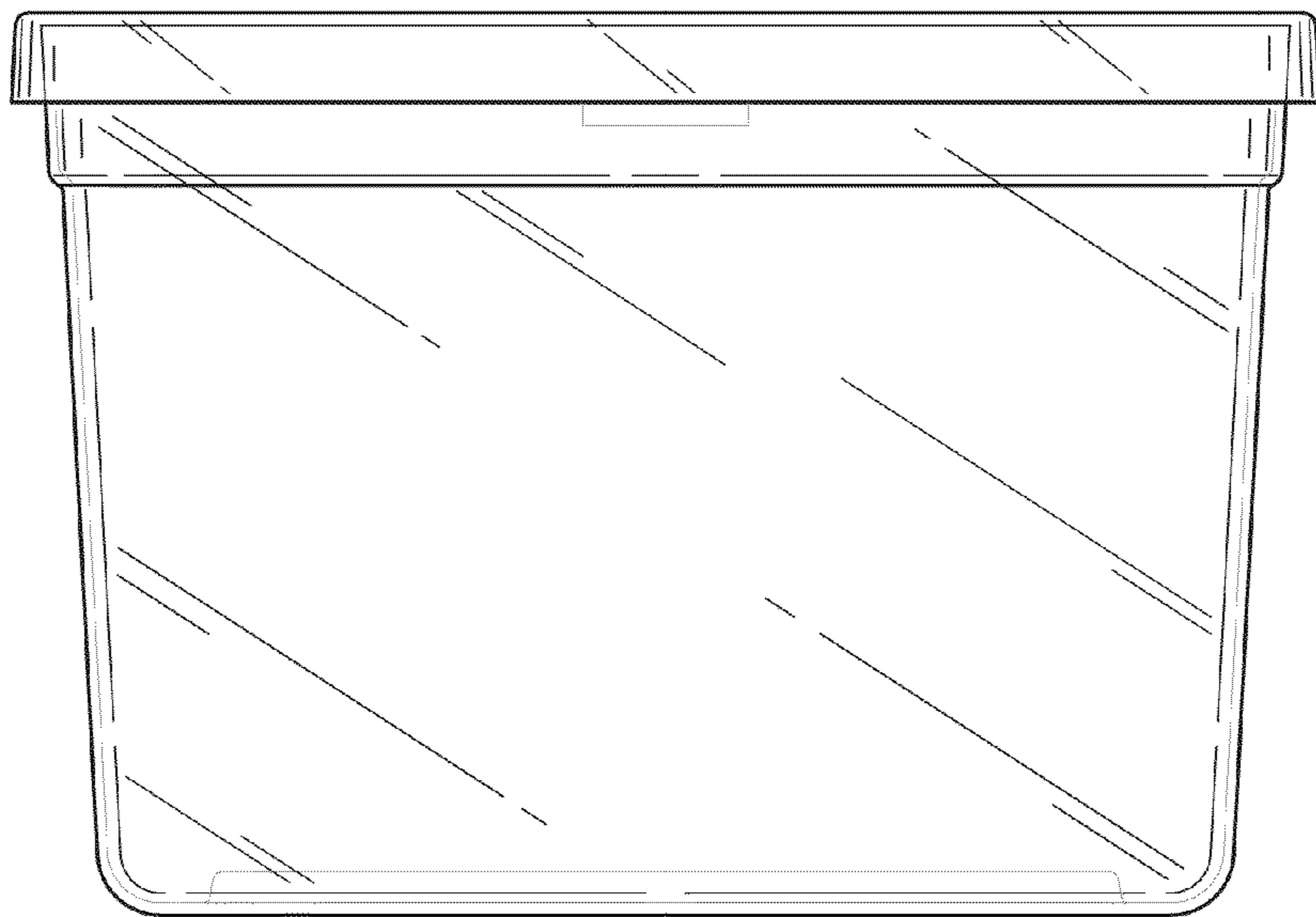


FIG. 4

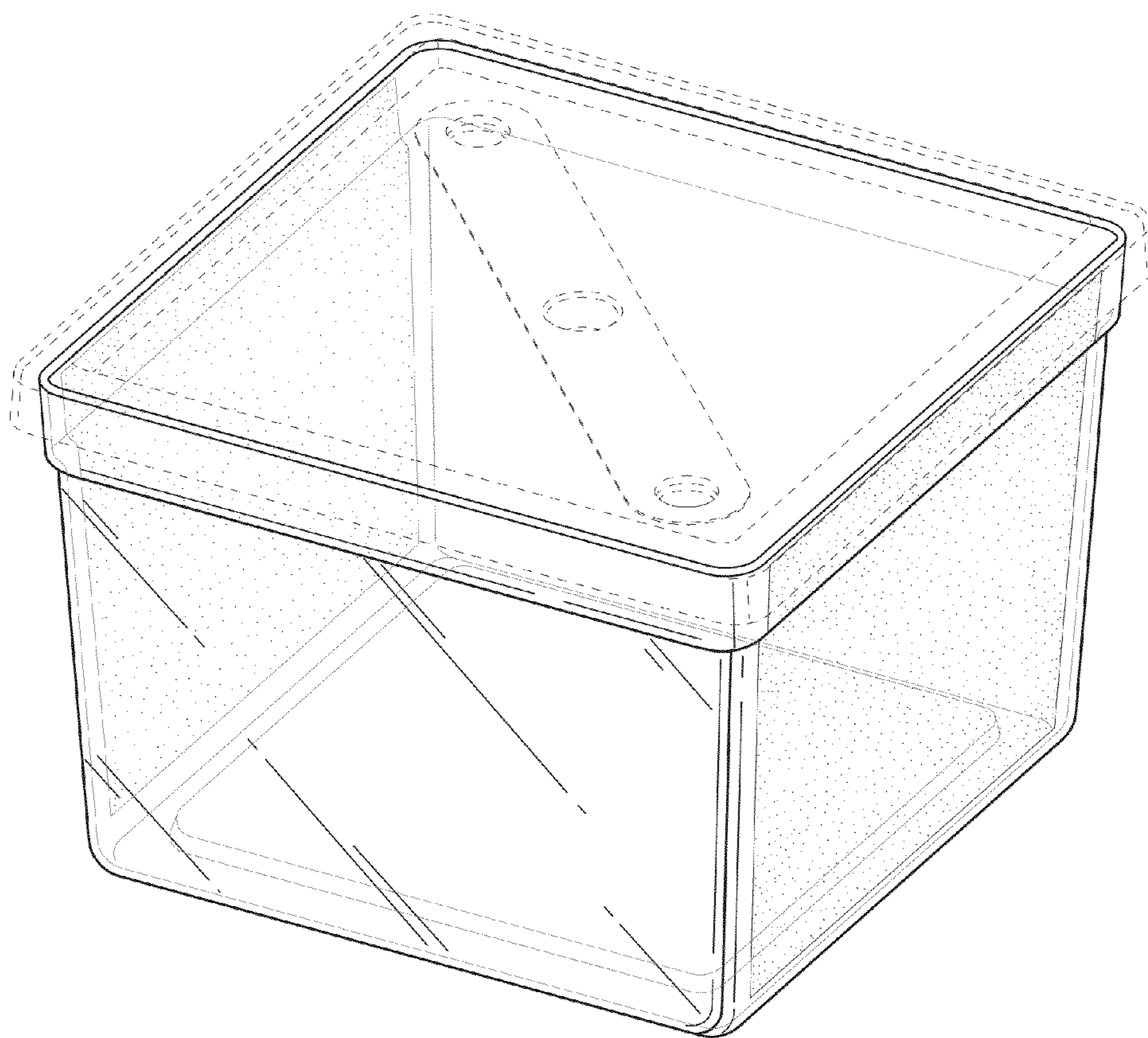


FIG. 5

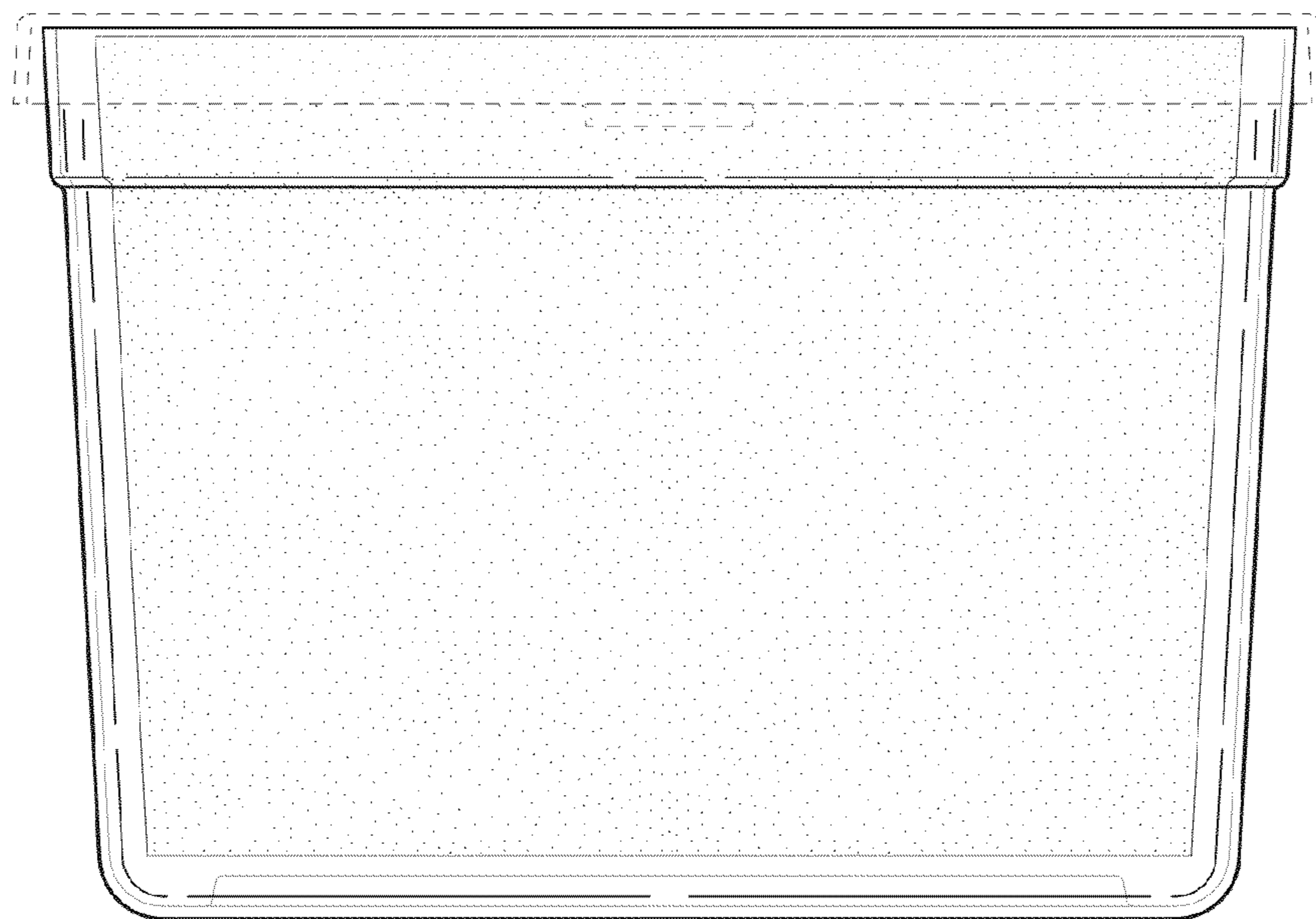


FIG. 6

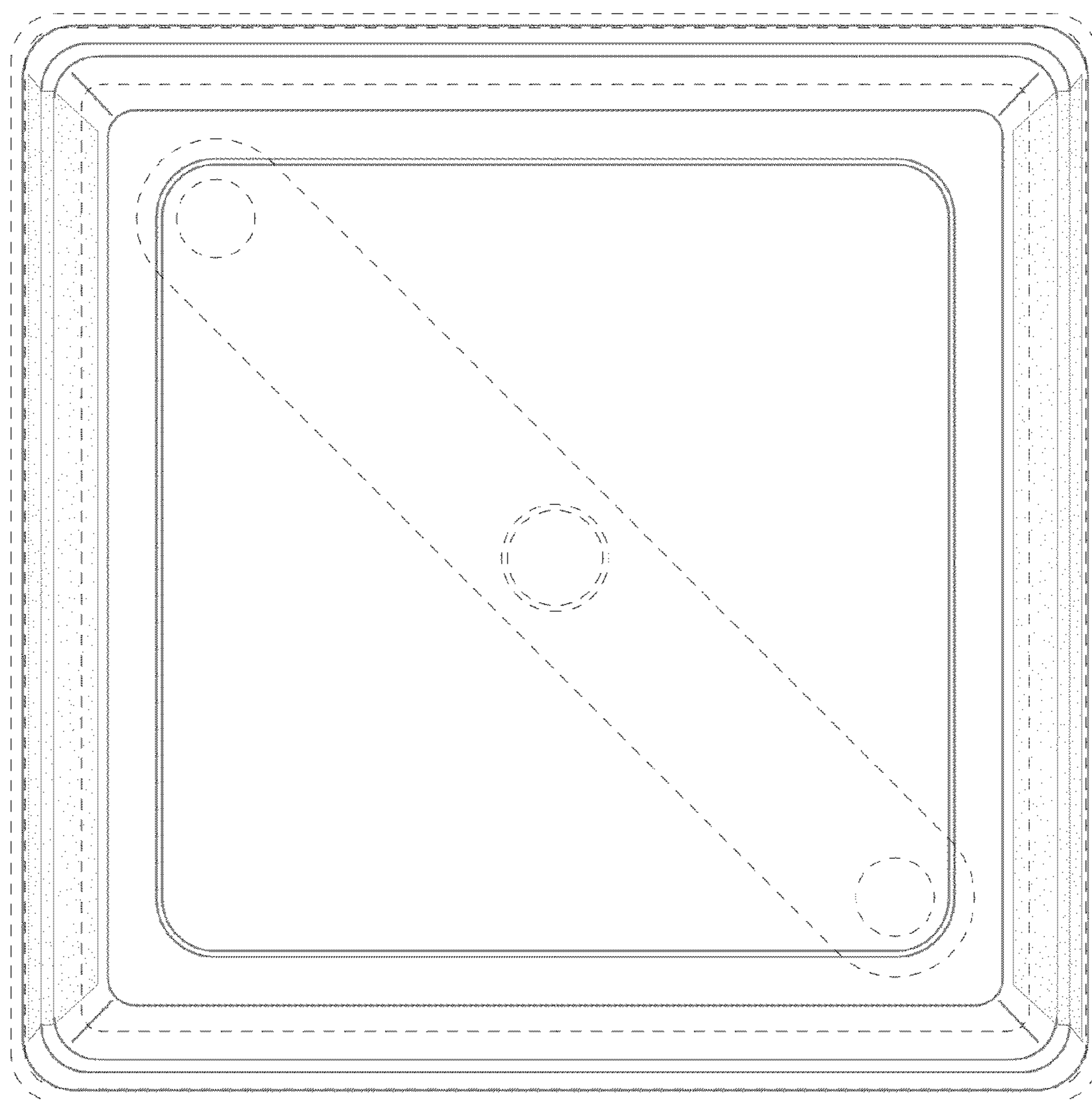


FIG. 7

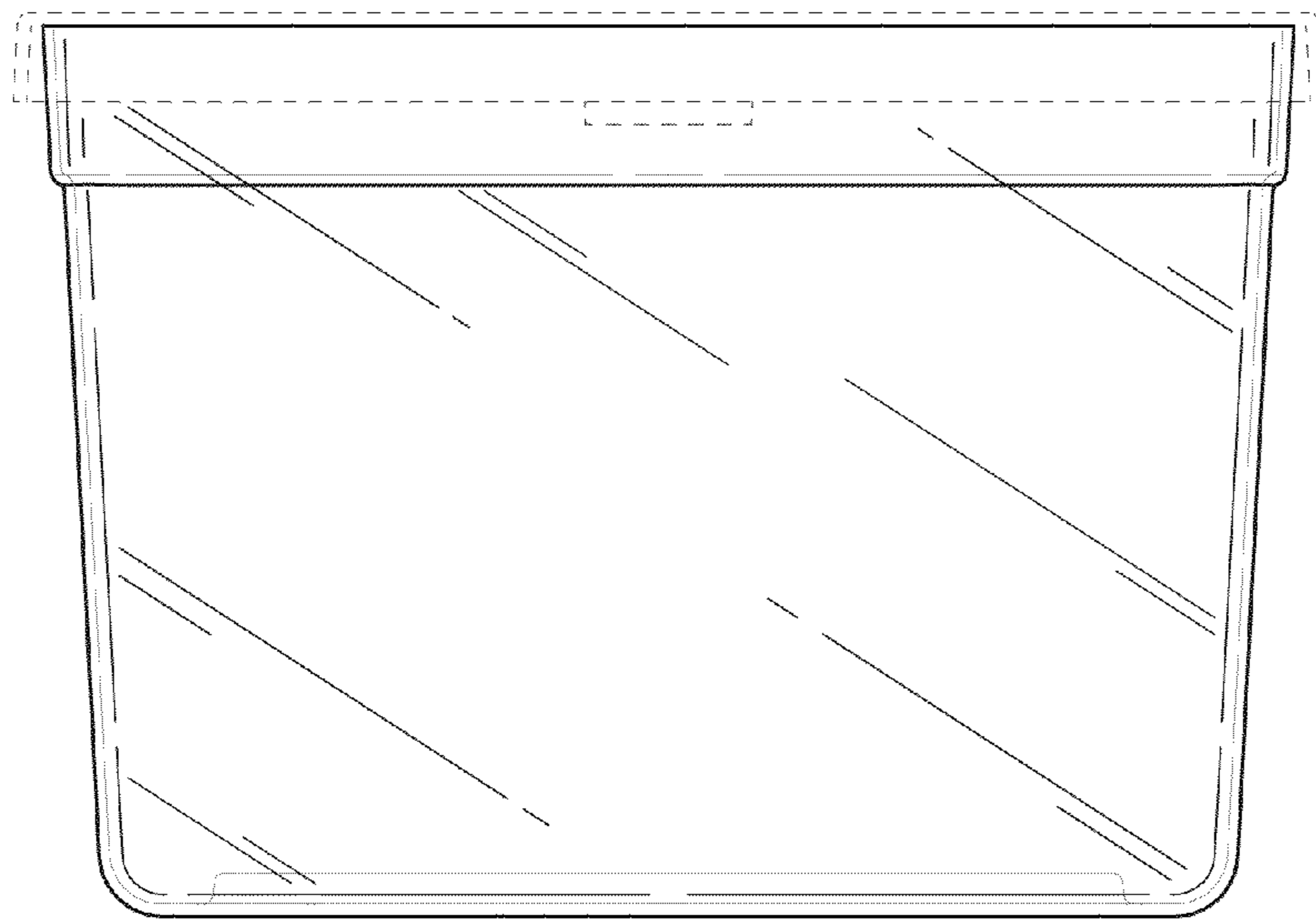


FIG. 8

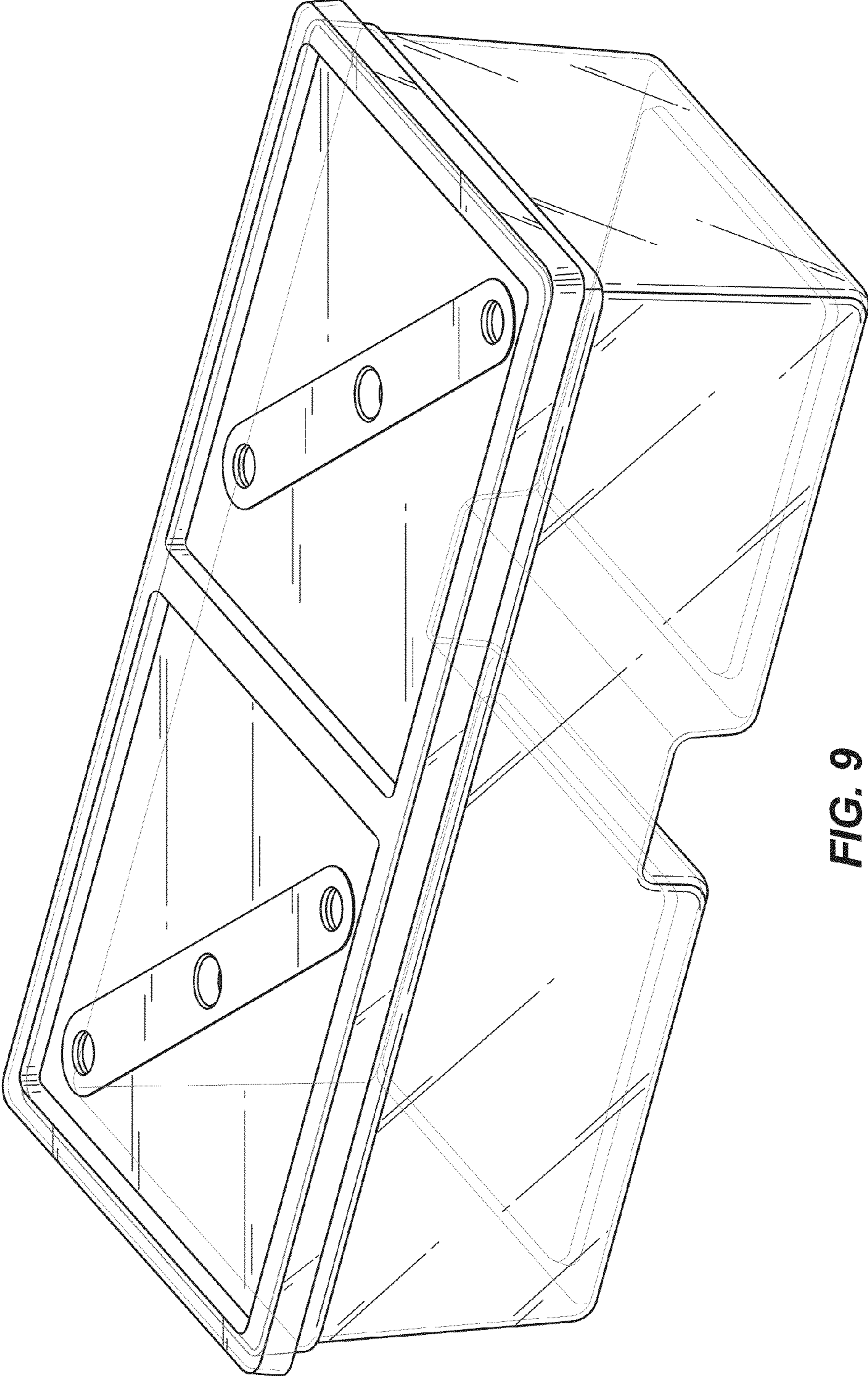


FIG. 9

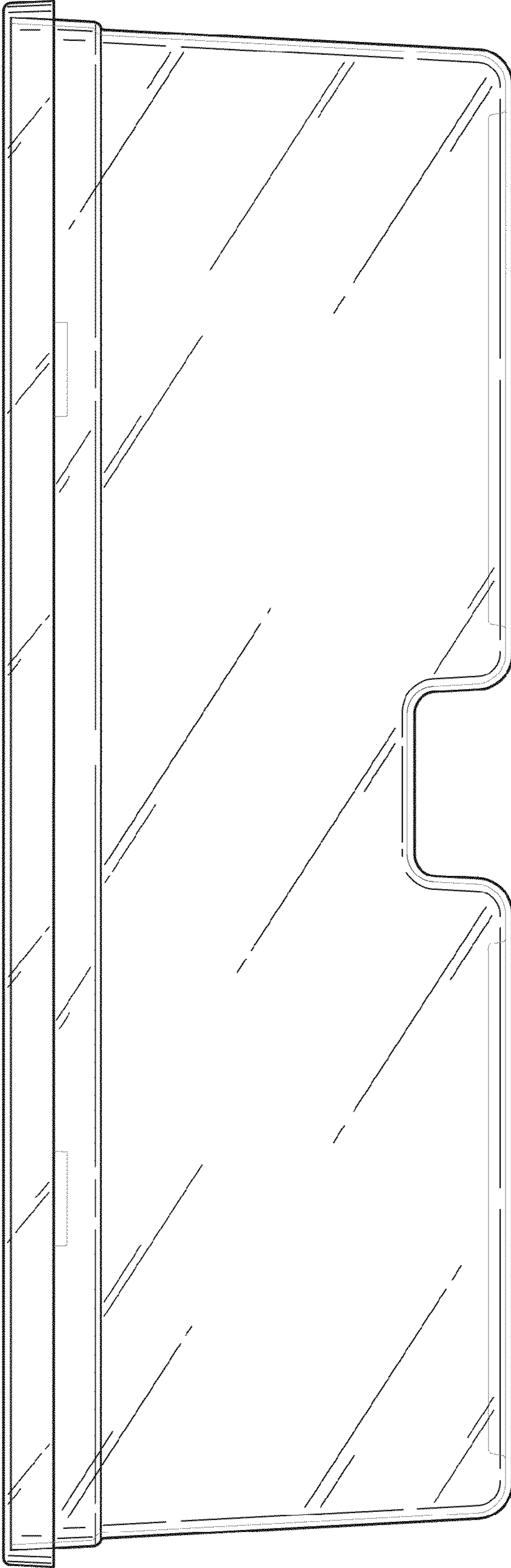


FIG. 10

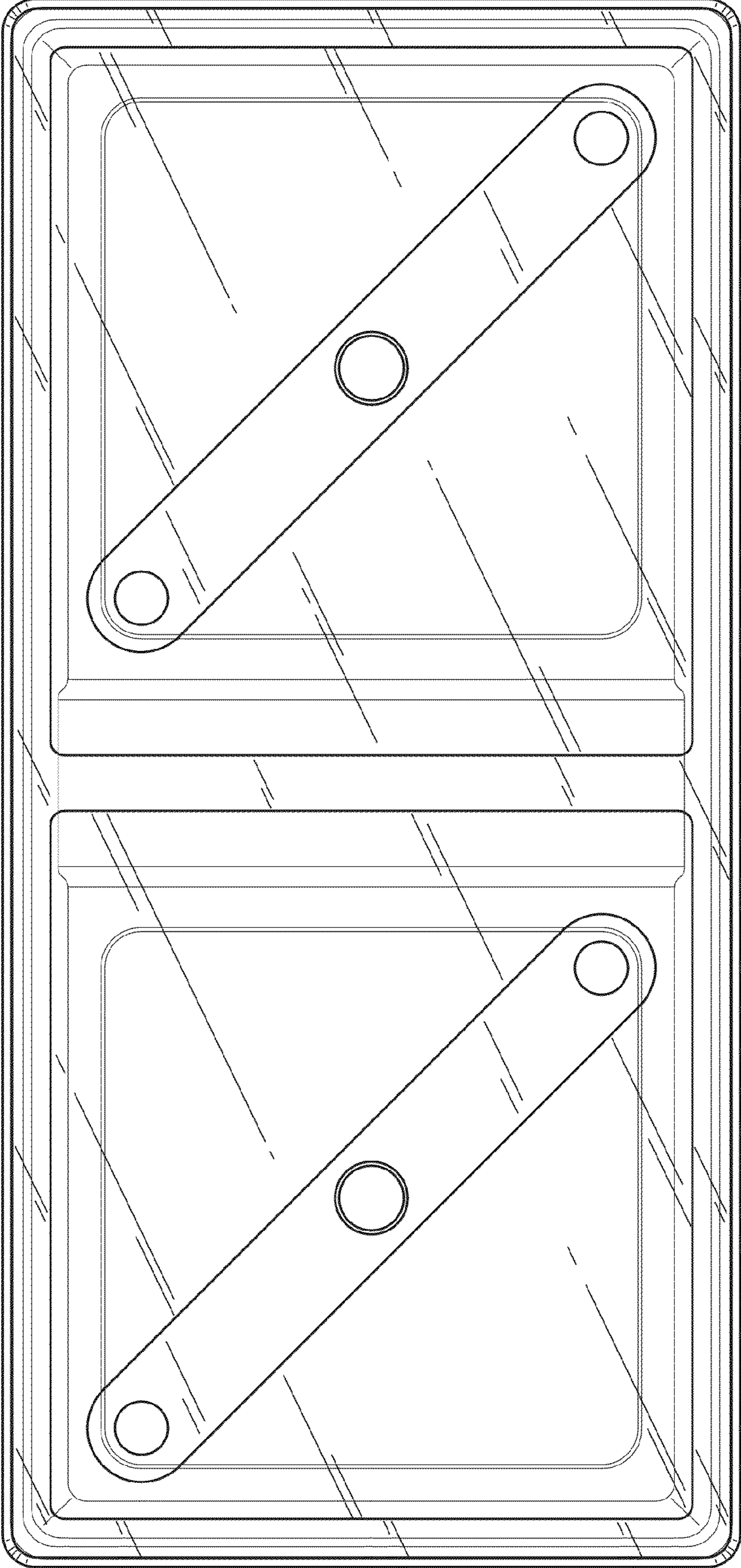


FIG. 11

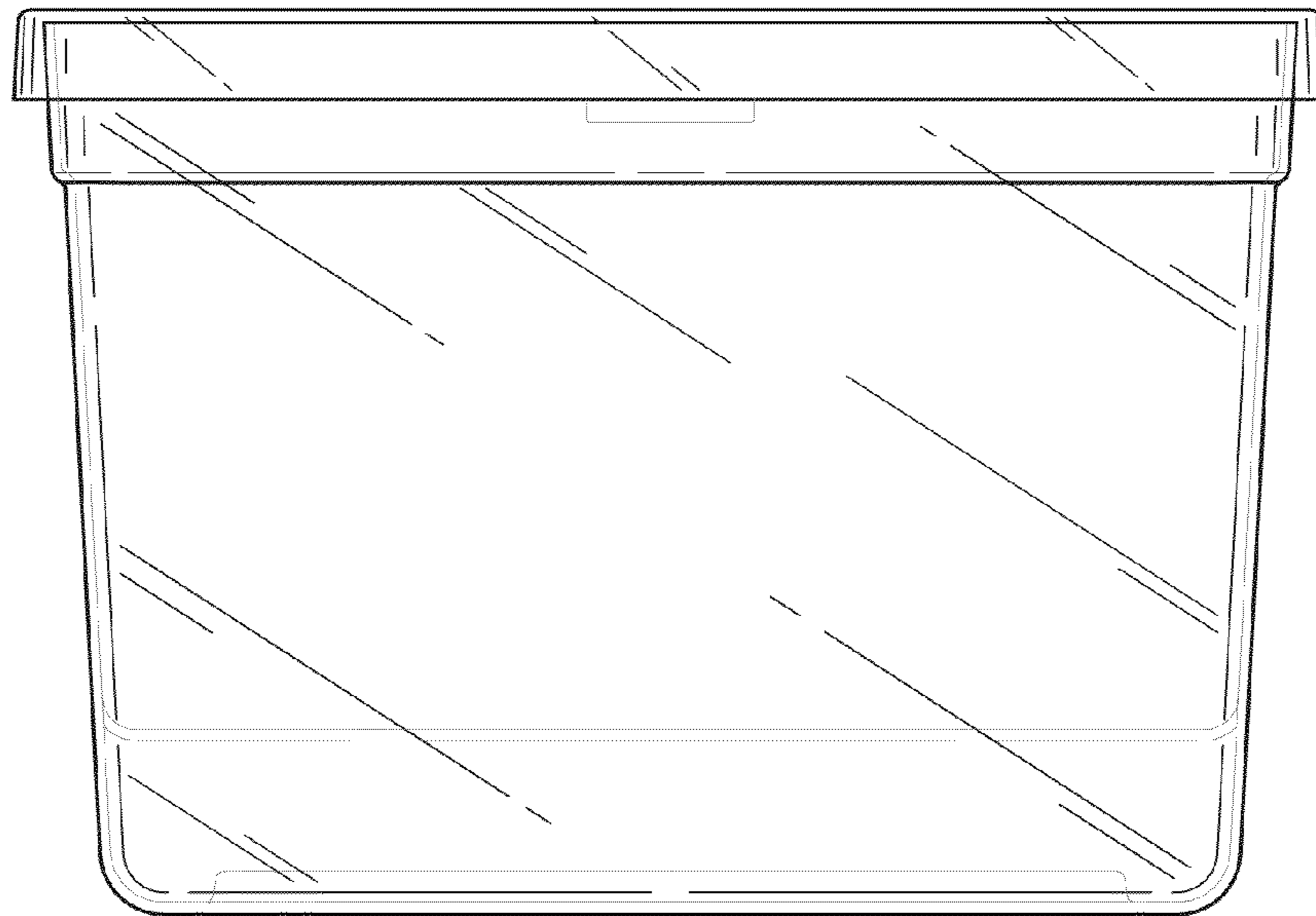


FIG. 12

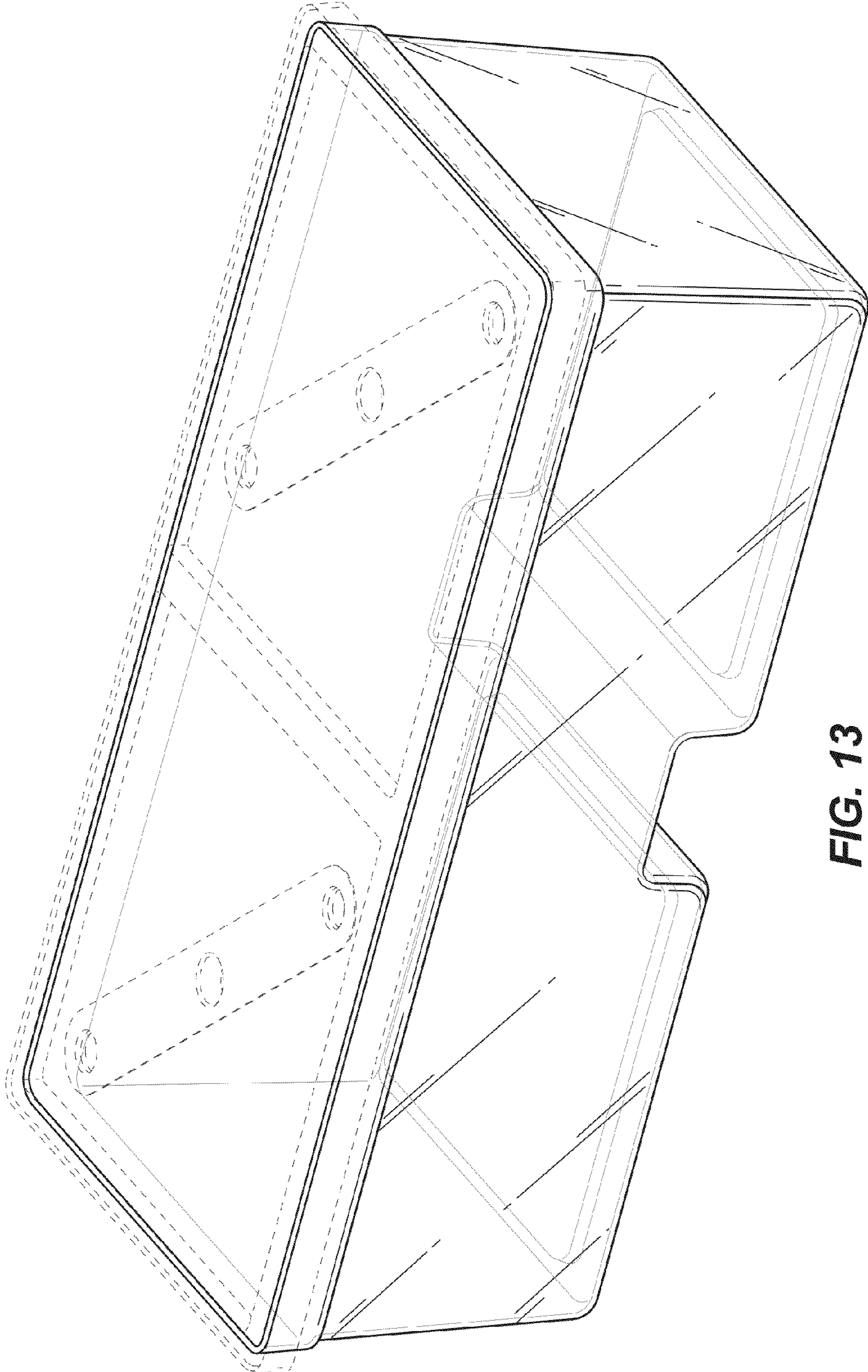


FIG. 13

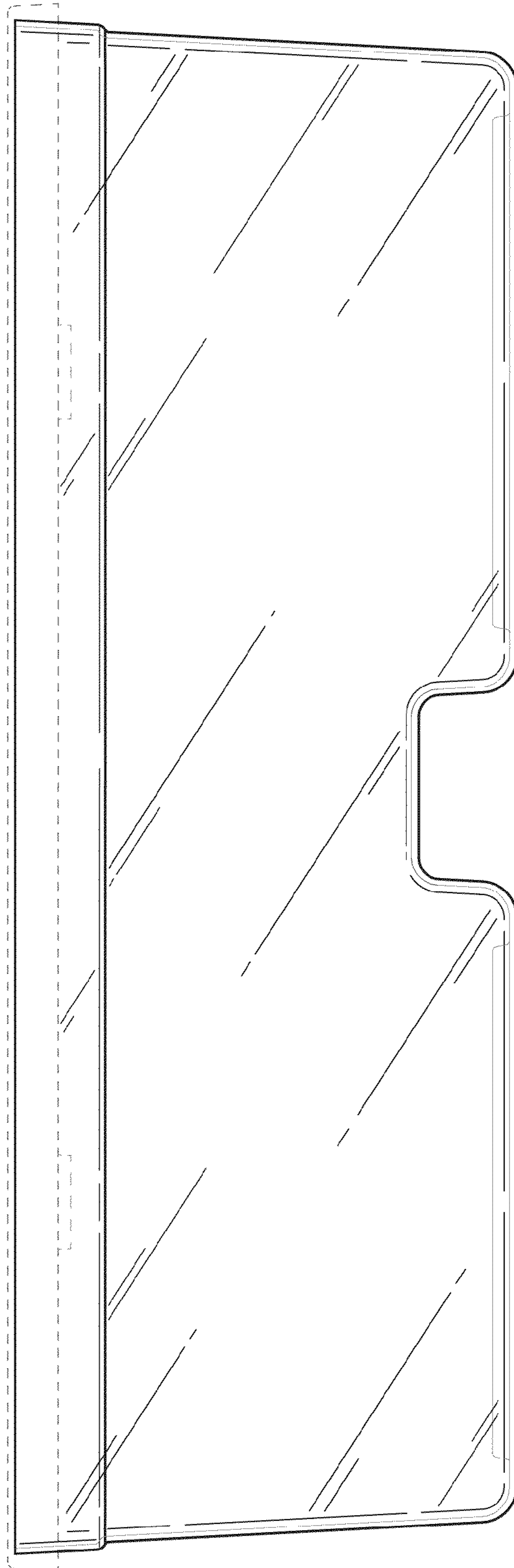


FIG. 14

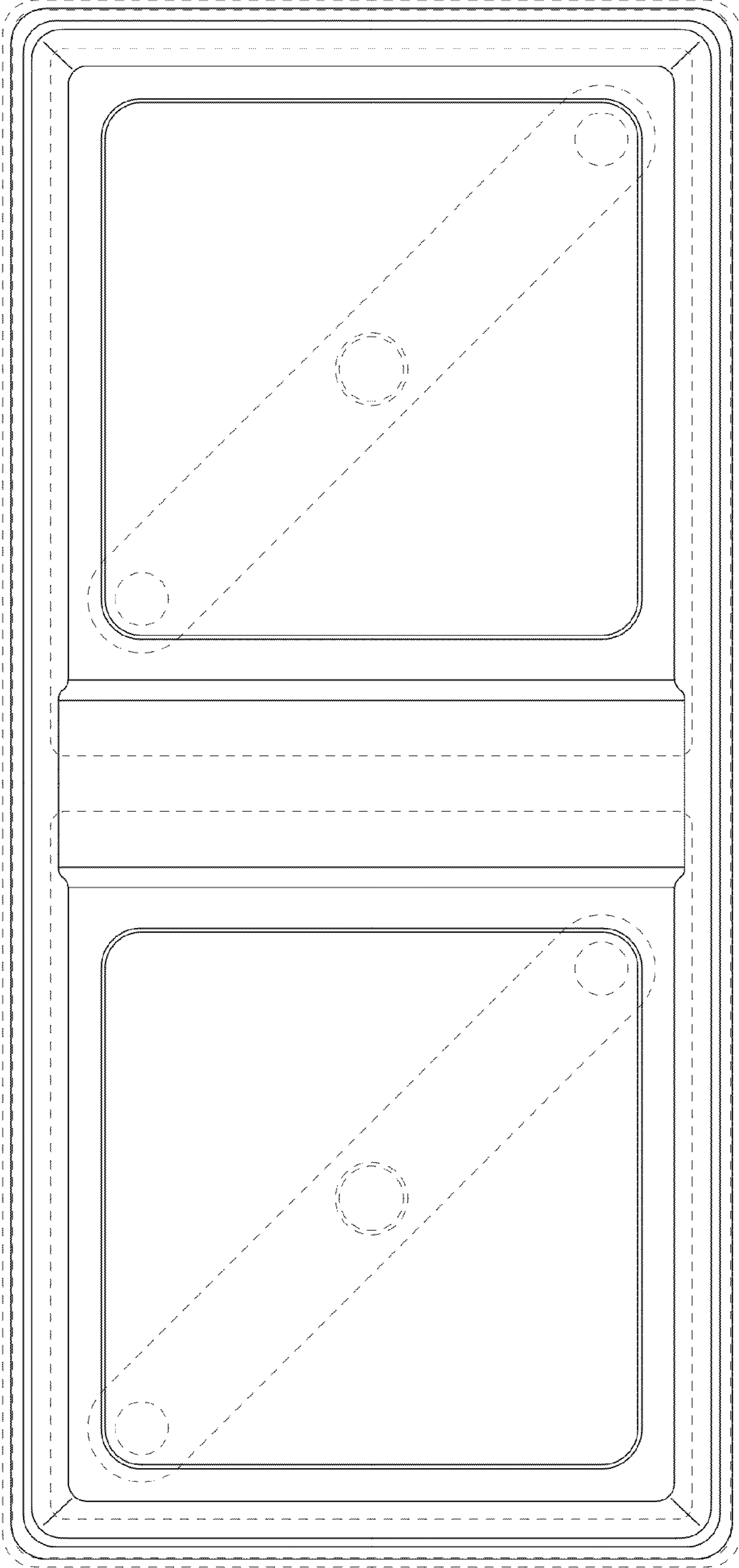


FIG. 15

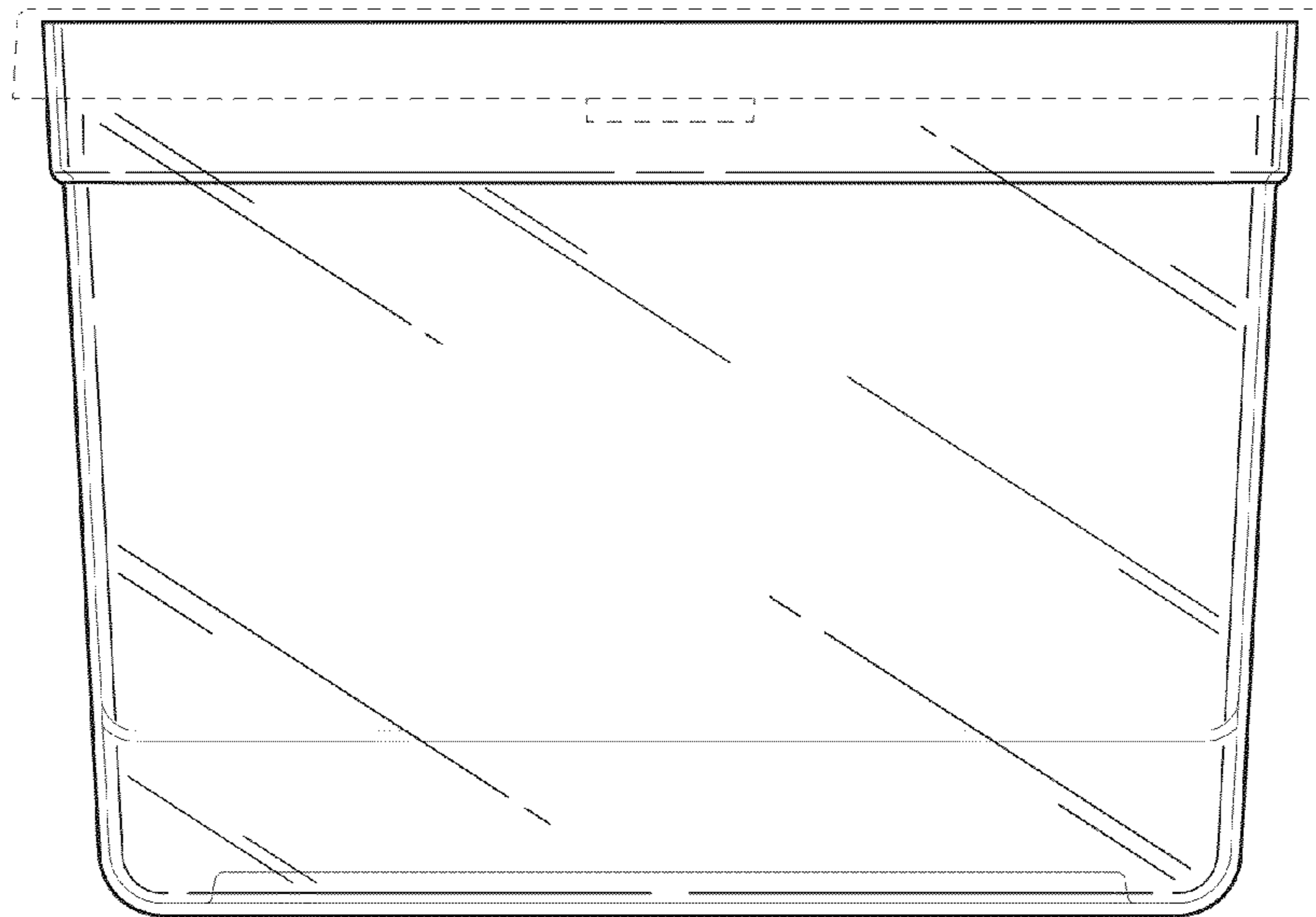


FIG. 16