



US00D734894S

(12) **United States Design Patent**  
**Schlatter**

(10) **Patent No.:** **US D734,894 S**  
(45) **Date of Patent:** **\*\* Jul. 21, 2015**

- (54) **LIP BALM CONTAINER**
- (71) Applicant: **ORALABS, INC.**, Parker, CO (US)
- (72) Inventor: **Gary Schlatter**, Englewood, CO (US)
- (\*\*) Term: **14 Years**
- (21) Appl. No.: **29/473,655**
- (22) Filed: **Nov. 25, 2013**
- (51) **LOC (10) Cl.** ..... **28-03**
- (52) **U.S. Cl.**  
USPC ..... **D28/85**; D28/76; D9/559; D9/651;  
D9/556; D9/529
- (58) **Field of Classification Search**  
USPC ..... D28/85-90, 7, 77, 83, 76; 132/317,  
132/320, 318; 206/581, 823; 401/68, 88,  
401/98, 126-130; D9/726, 503, 504, 770,  
D9/432, 424, 529, 428, 551, 539, 561, 684,  
D9/546, 556, 559, 569, 553, 566, 519, 541,  
D9/542, 651, 560, 438, 449, 721, 724, 733,  
D9/425, 423; D7/672, 374, 326; D3/203.1,  
D3/203.2, 203.5, 203.6, 203.7, 203.8, 2,  
D3/273, 903, 207, 211, 270, 304, 279, 901,  
D3/205, 302, 294, 271.1, 257, 245, 202,  
D3/203.3, 203.4, 212; D1/127; D23/366;  
D18/15, 16, 17; D19/108  
CPC ..... A45D 34/04; A45D 34/041; A45D 40/26;  
A45D 40/261; A45D 33/12; A45D 34/06  
See application file for complete search history.

- (56) **References Cited**  
**U.S. PATENT DOCUMENTS**  
D76,405 S \* 9/1928 Lavault ..... D9/546  
D81,602 S \* 7/1930 Teague ..... D9/546  
D87,167 S \* 6/1932 Noble ..... D9/559  
D89,141 S \* 1/1933 Wilson ..... D9/559  
D92,424 S \* 6/1934 Piazzoli ..... D9/559  
D124,598 S \* 1/1941 Brodovitch ..... D9/651

- D214,132 S \* 5/1969 Nlemoller ..... D27/152
- D216,462 S \* 1/1970 Pettengill et al. .... D9/556
- D218,284 S \* 8/1970 DuPree ..... D9/560
- D257,365 S \* 10/1980 Gabriel ..... D21/502
- D273,766 S \* 5/1984 Lampe ..... D9/504
- D287,339 S \* 12/1986 Dominski ..... D9/529
- D291,066 S \* 7/1987 Antoine ..... D9/418
- 4,765,501 A \* 8/1988 Kao ..... 220/4.21
- D304,298 S \* 10/1989 Bannister ..... D9/546
- D306,693 S \* 3/1990 Beier-Rosetti ..... D9/529
- D306,694 S \* 3/1990 Beier-Rosetti ..... D9/529
- D363,859 S \* 11/1995 Matsick ..... D7/629
- D365,516 S \* 12/1995 Williamson ..... D9/651

(Continued)

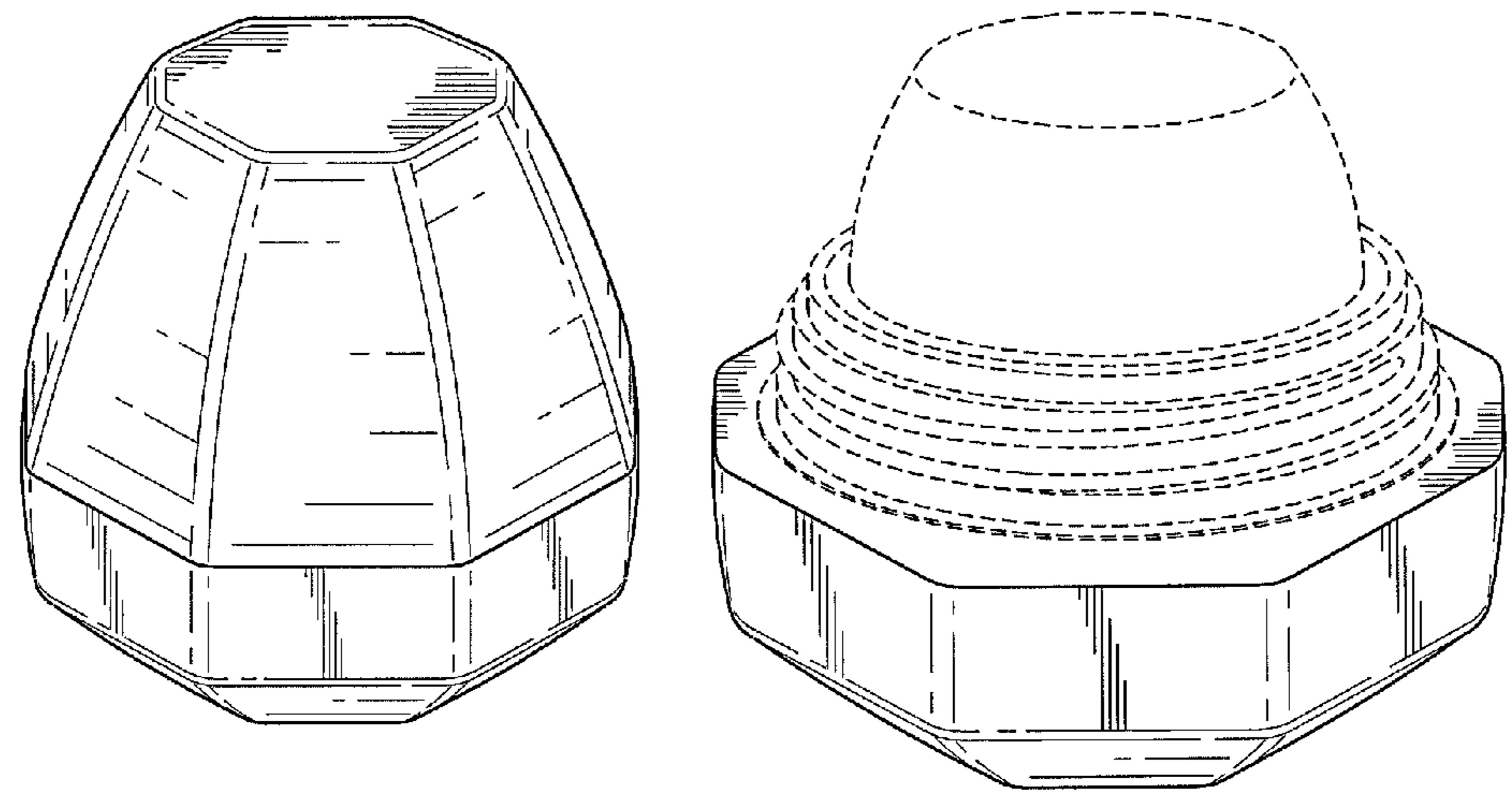
*Primary Examiner* — Marianne Pandozzi  
*Assistant Examiner* — Jae Liang  
(74) *Attorney, Agent, or Firm* — Welsh Flaxman & Gitler LLC

(57) **CLAIM**  
The ornamental design for a lip balm container, as shown and described.

**DESCRIPTION**

FIG. 1 is a top perspective view of a lip balm container showing my new design;  
FIG. 2 is a top view thereof;  
FIG. 3 is a bottom perspective view thereof;  
FIG. 4 is a bottom plan view thereof;  
FIG. 5 is a front view thereof;  
FIG. 6 is a rear view thereof;  
FIG. 7 is a right side view thereof;  
FIG. 8 is left side view thereof;  
FIG. 9 is a top perspective view thereof with the top cover removed for ease of illustration; and,  
FIG. 10 is a front elevational view of FIG. 9.  
The broken line showing in the figure drawings are included for the purpose of illustration and form no part of the claimed design.

**1 Claim, 3 Drawing Sheets**



(56)

**References Cited**

U.S. PATENT DOCUMENTS

D368,444 S \* 4/1996 Shryock ..... D11/164  
 D369,558 S \* 5/1996 Heinz ..... D9/559  
 D375,047 S \* 10/1996 Jivago ..... D9/651  
 D382,486 S \* 8/1997 Heinz ..... D9/546  
 D399,611 S \* 10/1998 Ericson et al. .... D30/124  
 D405,001 S \* 2/1999 Calo ..... D9/635  
 D412,386 S \* 7/1999 De Manjarrez et al. .... D99/25  
 D477,227 S \* 7/2003 Goswell ..... D9/651  
 D505,517 S \* 5/2005 Baresi et al. .... D28/76  
 D519,845 S \* 5/2006 Ortiz ..... D9/651

D525,532 S \* 7/2006 Glass ..... D9/559  
 D553,505 S \* 10/2007 Oner ..... D9/559  
 D573,026 S \* 7/2008 Tsai ..... D9/519  
 D612,740 S \* 3/2010 Leone ..... D9/553  
 D613,476 S \* 4/2010 Lee et al. .... D1/127  
 D649,738 S \* 12/2011 Hollmann ..... D1/106  
 D681,278 S \* 4/2013 Schlatter ..... D28/89  
 D698,259 S \* 1/2014 Ngjelo ..... D9/651  
 D703,415 S \* 4/2014 Khan ..... D99/5  
 D708,789 S \* 7/2014 Schlatter ..... D28/87  
 D708,790 S \* 7/2014 Schlatter ..... D28/89  
 D711,236 S \* 8/2014 Friesen et al. .... D9/519  
 2002/0127046 A1 \* 9/2002 Gueret ..... 401/266

\* cited by examiner

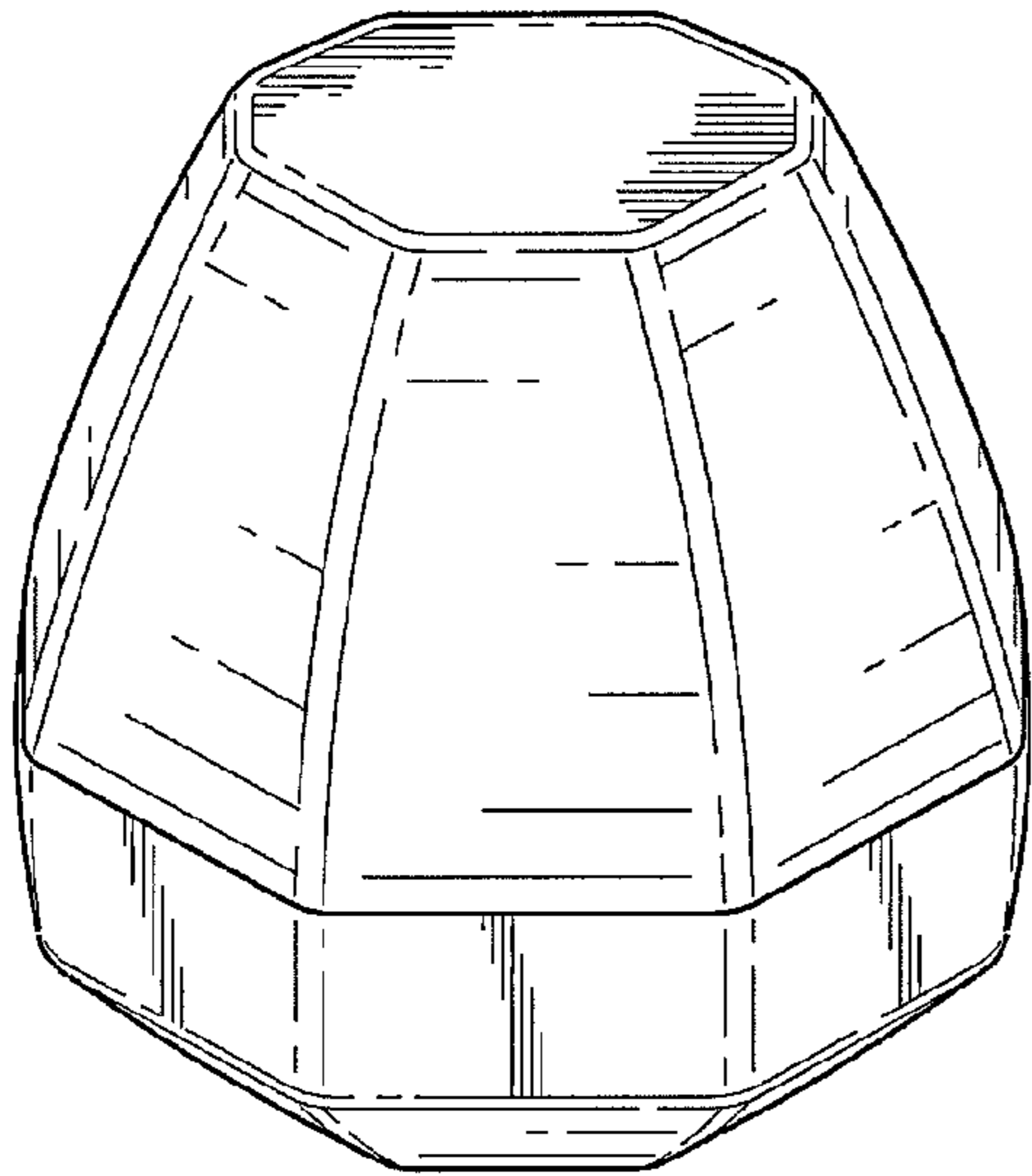


FIG. 1

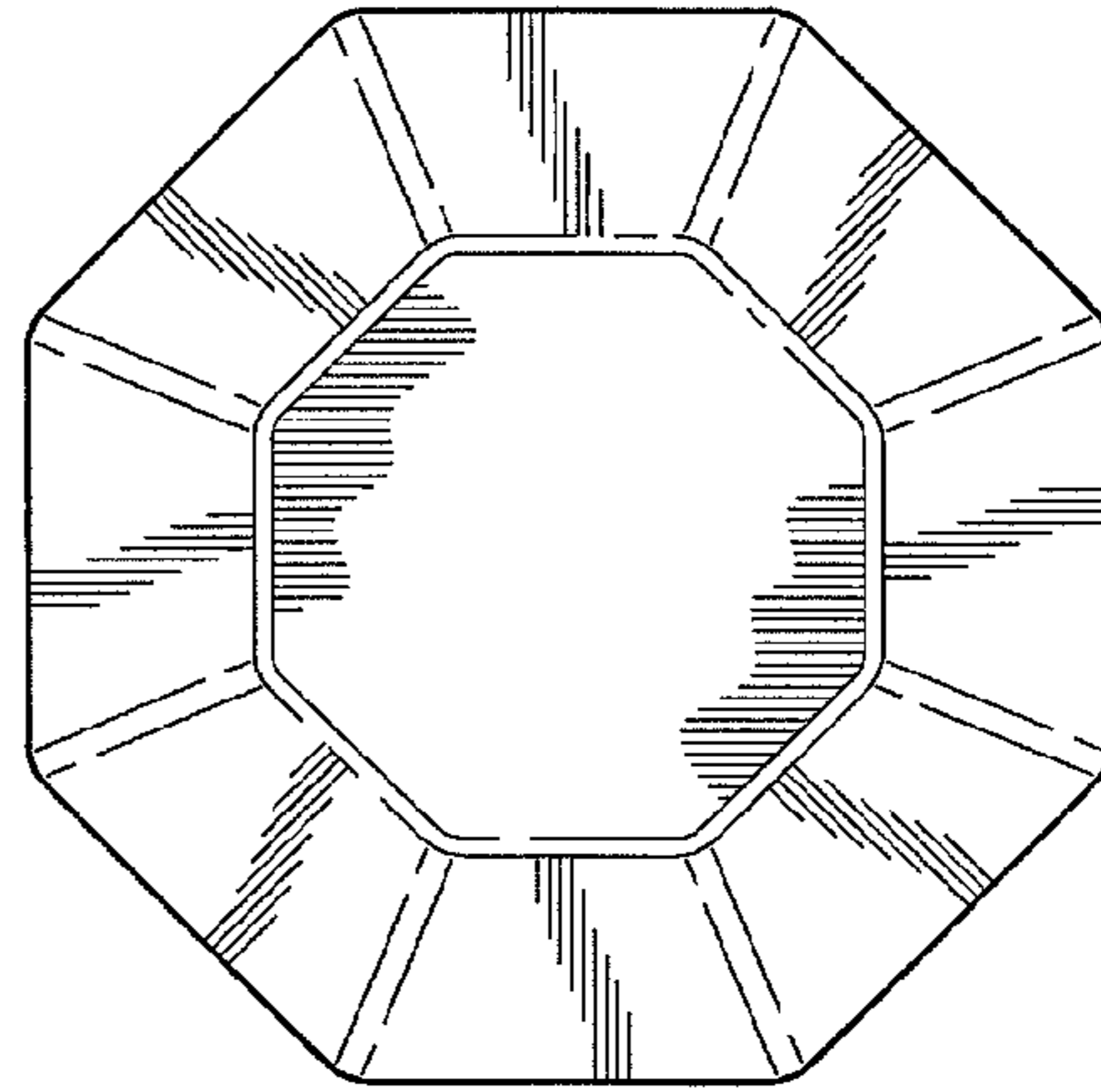


FIG. 2

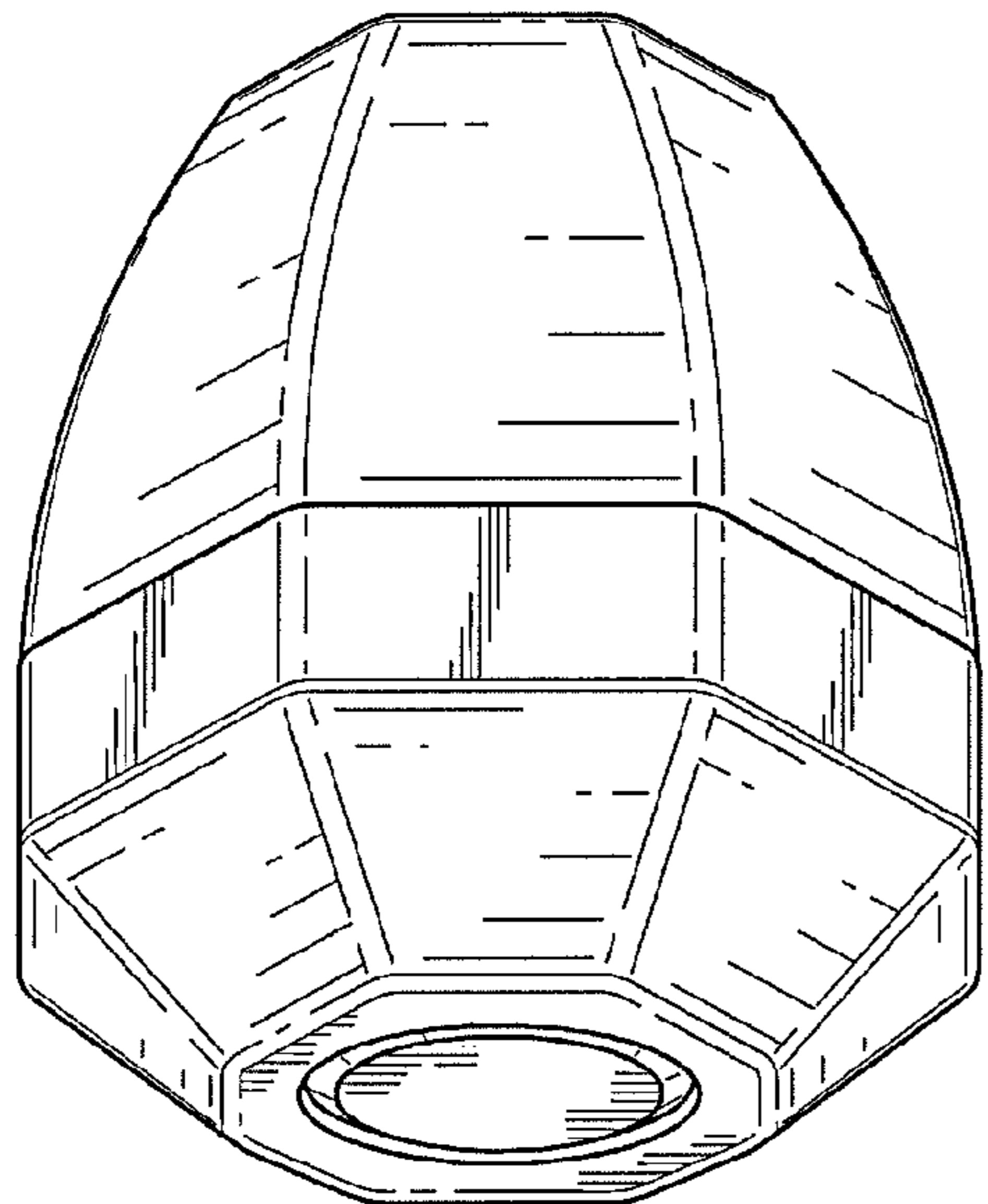


FIG. 3

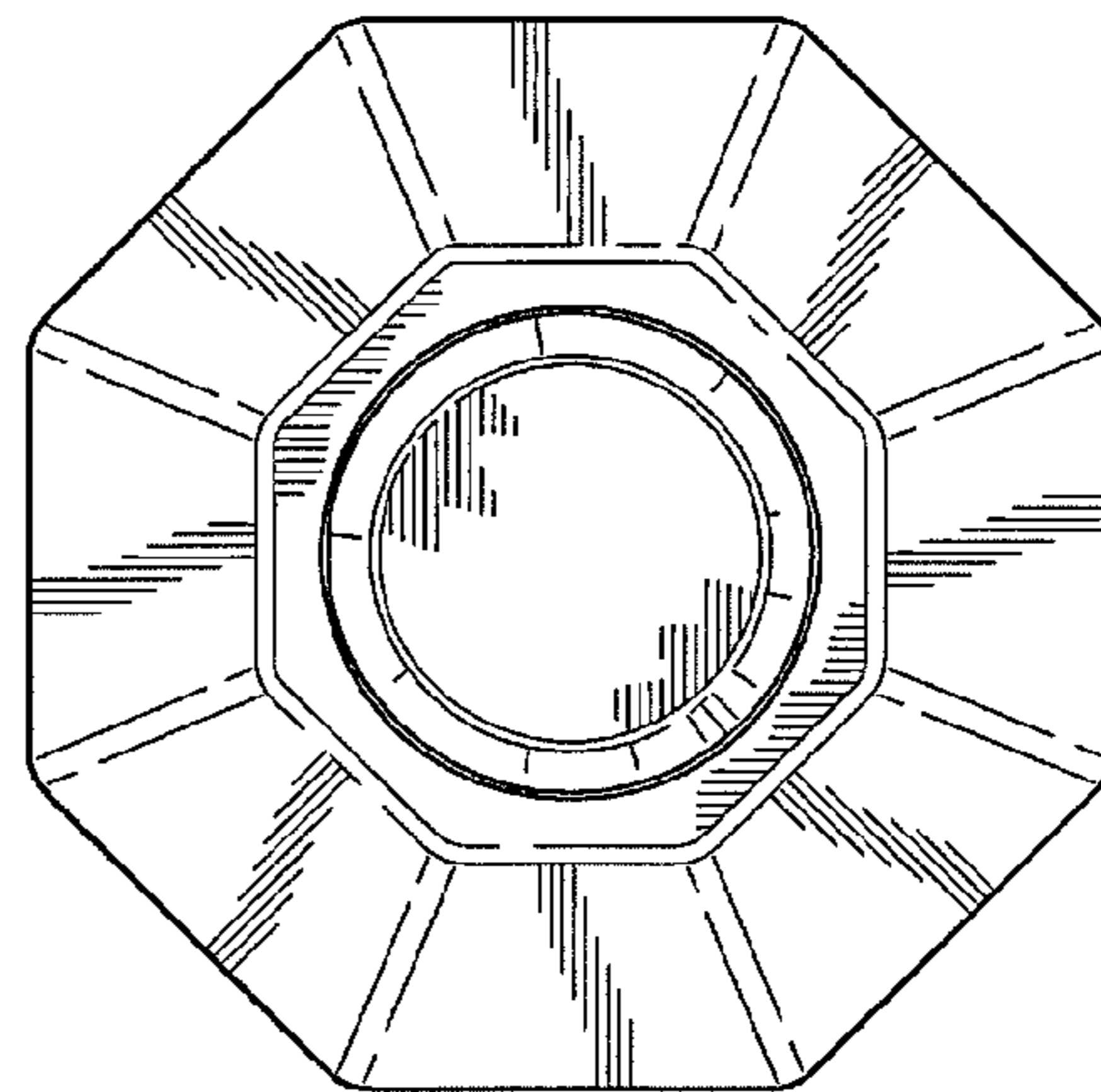


FIG. 4

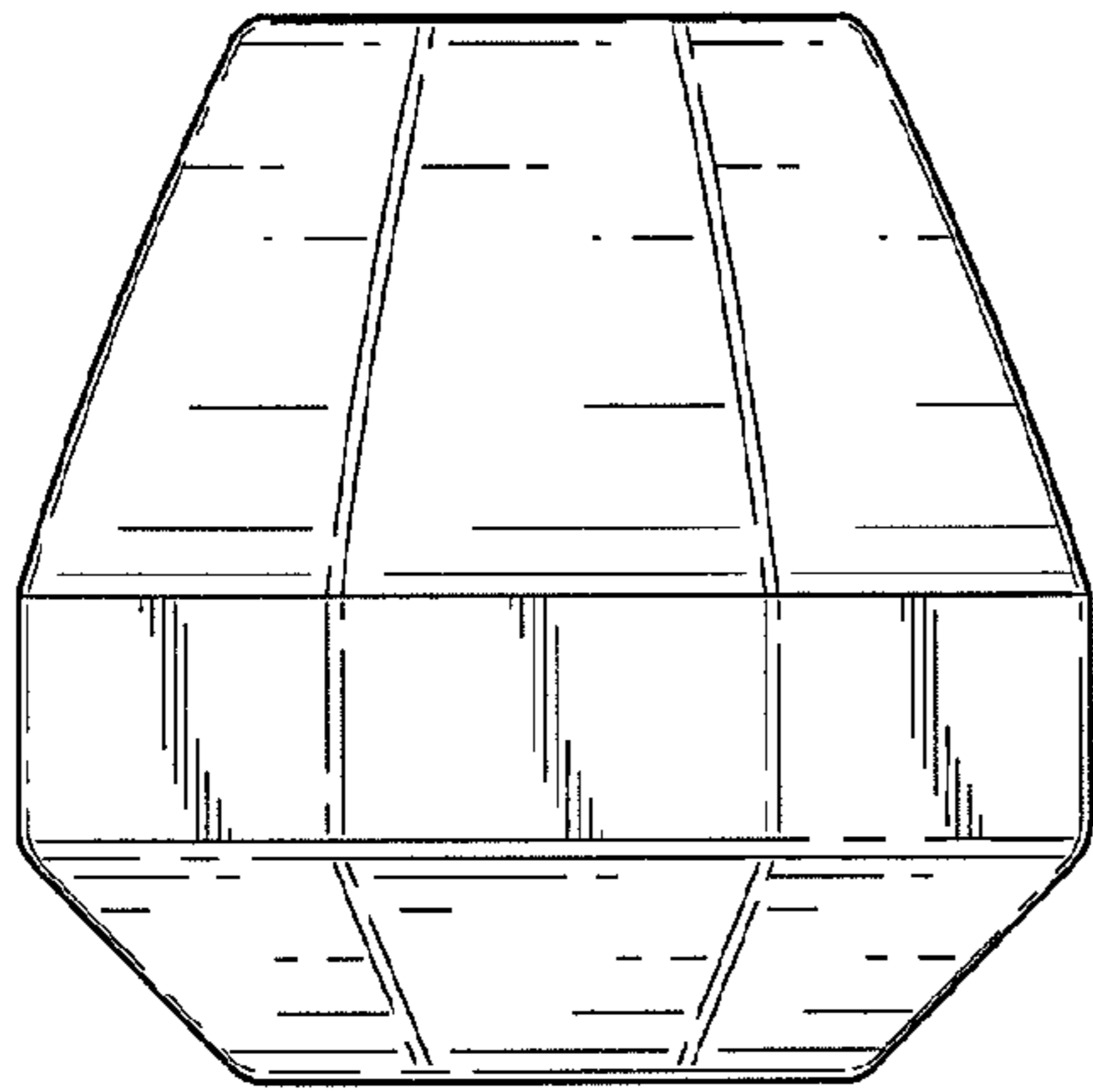


FIG. 5

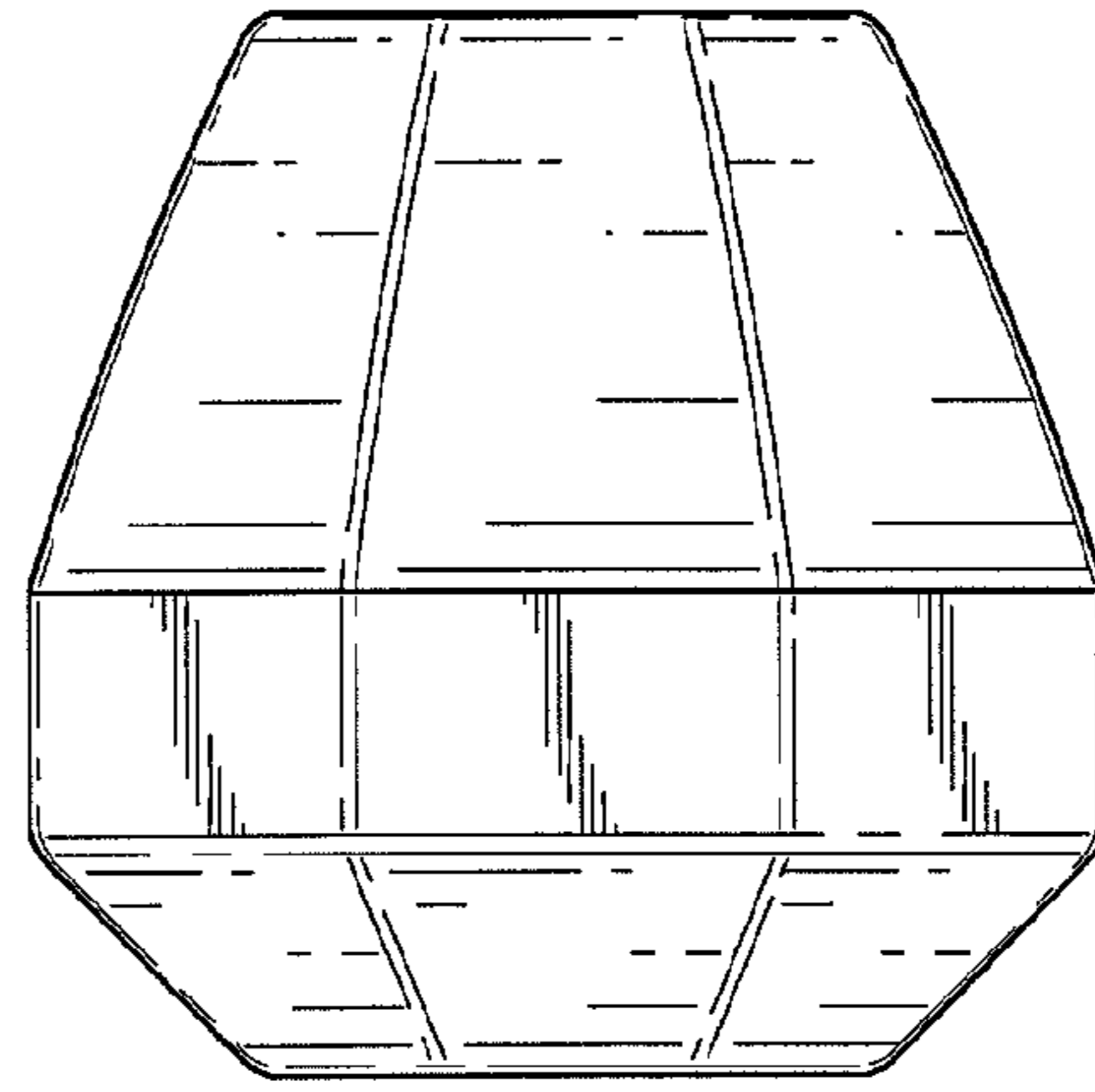


FIG. 6

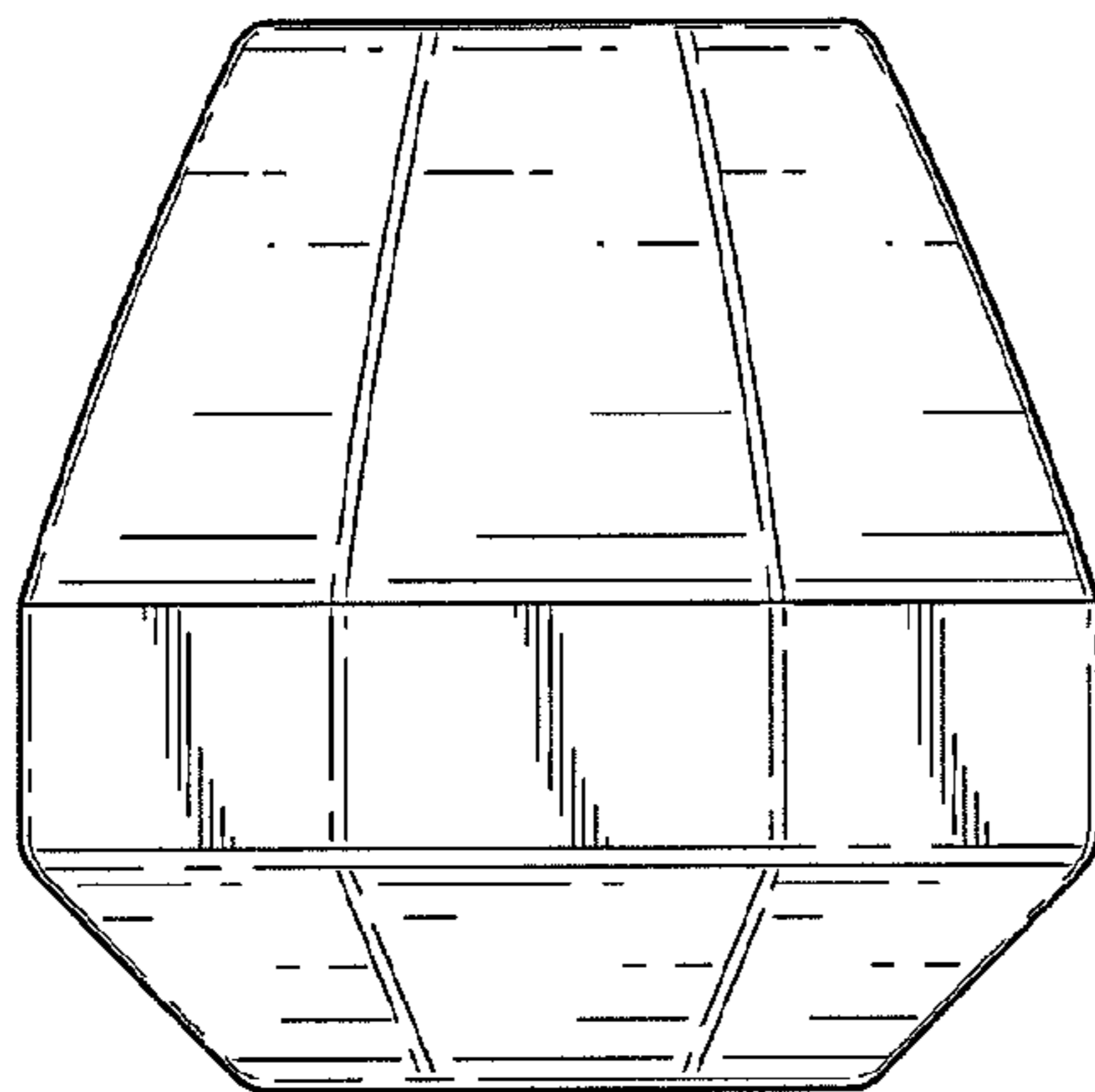


FIG. 7

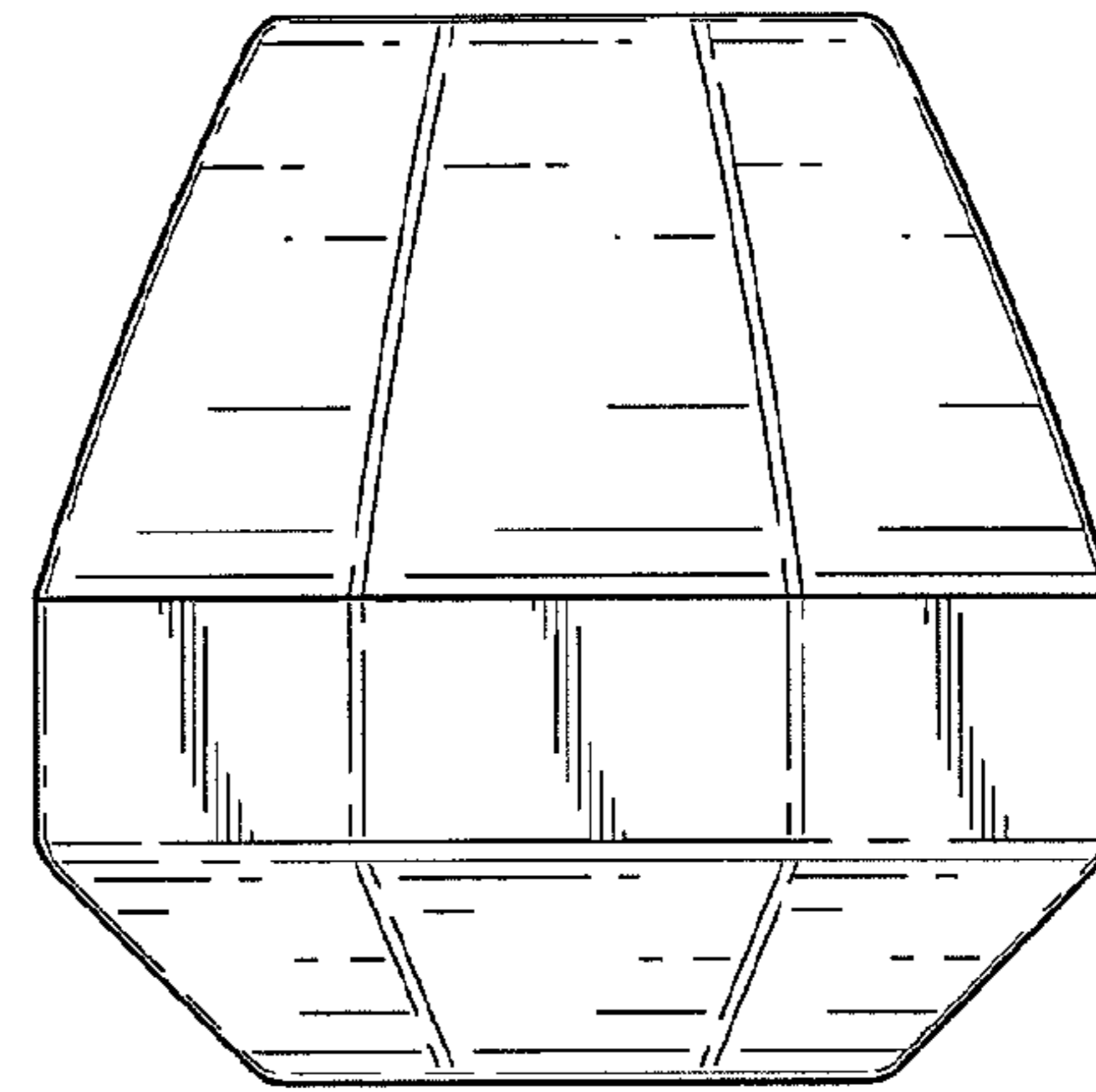


FIG. 8

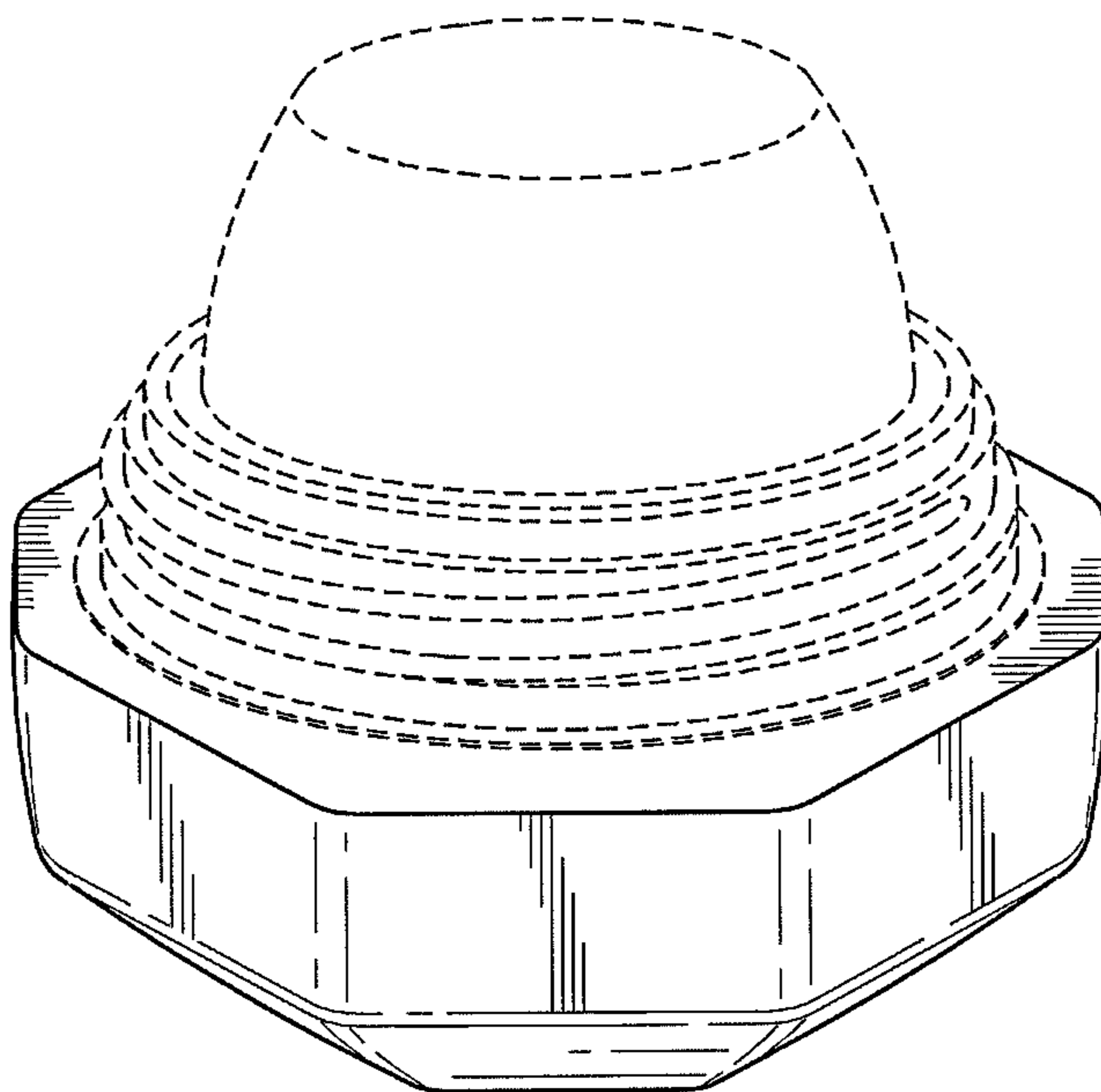


FIG. 9

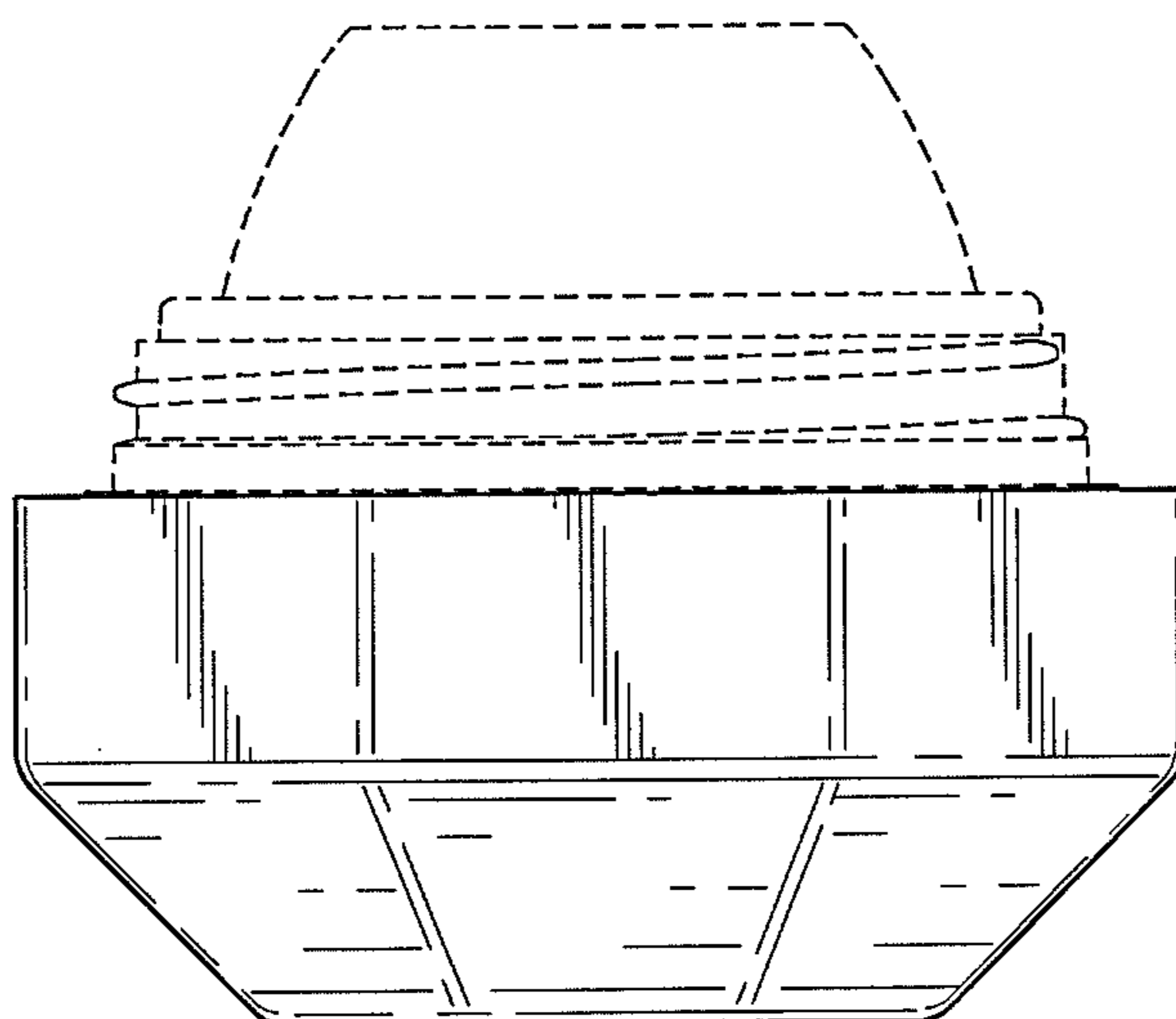


FIG. 10