



US00D734888S

(12) **United States Design Patent**  
**Bobel**

(10) **Patent No.:** **US D734,888 S**

(45) **Date of Patent:** **\*\* \*Jul. 21, 2015**

(54) **LIGHT FIXTURE**

(71) Applicant: **Neptun Light, Inc.**, Lake Forest, IL (US)

(72) Inventor: **Andrzej Bobel**, Lake Forest, IL (US)

(73) Assignee: **Neptun Light, Inc.**, Lake Forest, IL (US)

(\*) Notice: This patent is subject to a terminal disclaimer.

(\*\*) Term: **14 Years**

(21) Appl. No.: **29/489,394**

(22) Filed: **Apr. 29, 2014**

(51) **LOC (10) Cl.** ..... **26-03**

(52) **U.S. Cl.**  
USPC ..... **D26/92**

(58) **Field of Classification Search**  
USPC ..... D26/63, 69, 70, 71, 72, 85, 92, 118;  
362/431, 432  
CPC ..... F21V 15/01; F21V 17/107; F21V 19/02;  
F21S 8/033; F21S 8/043; F21S 8/085; F21S  
8/086; F21S 8/088; F21W 2131/103; F21W  
2131/107

See application file for complete search history.

(56) **References Cited**

**U.S. PATENT DOCUMENTS**

3,643,079	A *	2/1972	Glickman	.....	362/249.09
D294,066	S *	2/1988	Ewing et al.	.....	D26/71
D339,649	S *	9/1993	Klossner	.....	D26/63
D375,572	S *	11/1996	Sandell	.....	D26/63
D441,889	S *	5/2001	Austin	.....	D26/63
7,150,542	B1 *	12/2006	Russello et al.	.....	362/285
D562,491	S *	2/2008	DiCola	.....	D26/85
7,401,939	B2 *	7/2008	Haugaard et al.	.....	362/147
D634,878	S *	3/2011	Guercio et al.	.....	D26/85
D650,504	S *	12/2011	Kim et al.	.....	D26/63

D653,377	S *	1/2012	Guercio	.....	D26/85
D676,174	S *	2/2013	Akinrele et al.	.....	D26/71
D676,177	S *	2/2013	Akinrele et al.	.....	D26/71
D689,233	S *	9/2013	Boissevain et al.	.....	D26/71
D694,452	S *	11/2013	Goelz et al.	.....	D26/71
2008/0080196	A1 *	4/2008	Ruud et al.	.....	362/373
2008/0101063	A1 *	5/2008	Koike et al.	.....	362/231
2010/0135008	A1 *	6/2010	Teng	.....	362/227
2011/0032697	A1 *	2/2011	Hu et al.	.....	362/190
2012/0218769	A1 *	8/2012	Van Horn et al.	.....	362/370
2013/0027937	A1 *	1/2013	Winters	.....	362/249.01
2013/0083521	A1 *	4/2013	Fang et al.	.....	362/235
2013/0083534	A1 *	4/2013	Chen et al.	.....	362/249.03
2013/0121006	A1 *	5/2013	Moshtagh	.....	362/373
2013/0250556	A1 *	9/2013	Gordin et al.	.....	362/147
2014/0043817	A1 *	2/2014	Zhang et al.	.....	362/249.02
2014/0104836	A1 *	4/2014	Kinnune et al.	.....	362/249.02
2014/0192529	A1 *	7/2014	Wilcox	.....	362/244
2014/0218944	A1 *	8/2014	Hobson et al.	.....	362/418

\* cited by examiner

*Primary Examiner* — Clare E Heflin

(74) *Attorney, Agent, or Firm* — Adam Bobel

(57) **CLAIM**

The ornamental design for a light fixture, as shown and described.

**DESCRIPTION**

FIG. 1 is a top side view of light fixture showing the claimed design;

FIG. 2 is a bottom side view thereof;

FIG. 3 is a right side view thereof;

FIG. 4 is a left side view thereof;

FIG. 5 is a rear side view thereof;

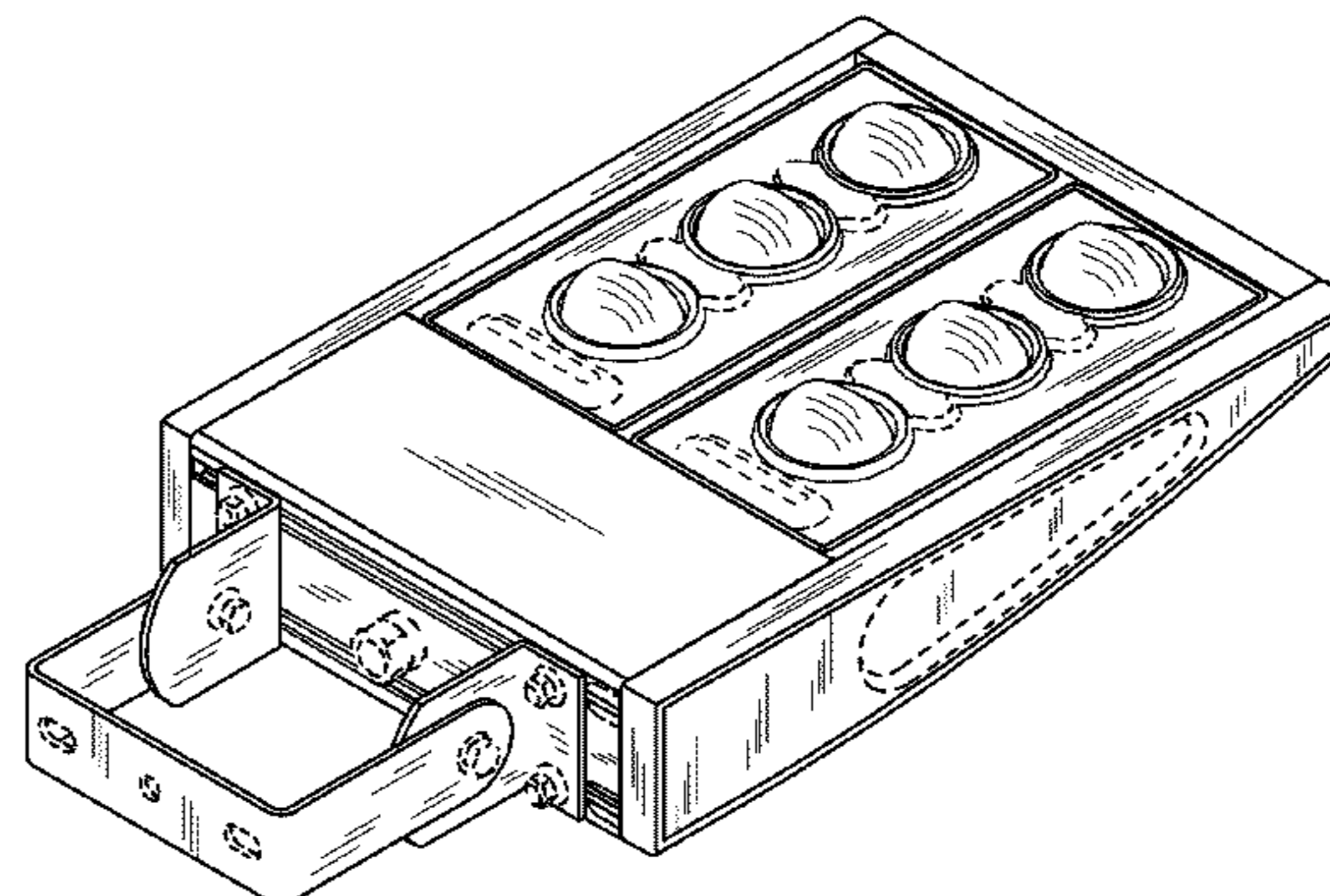
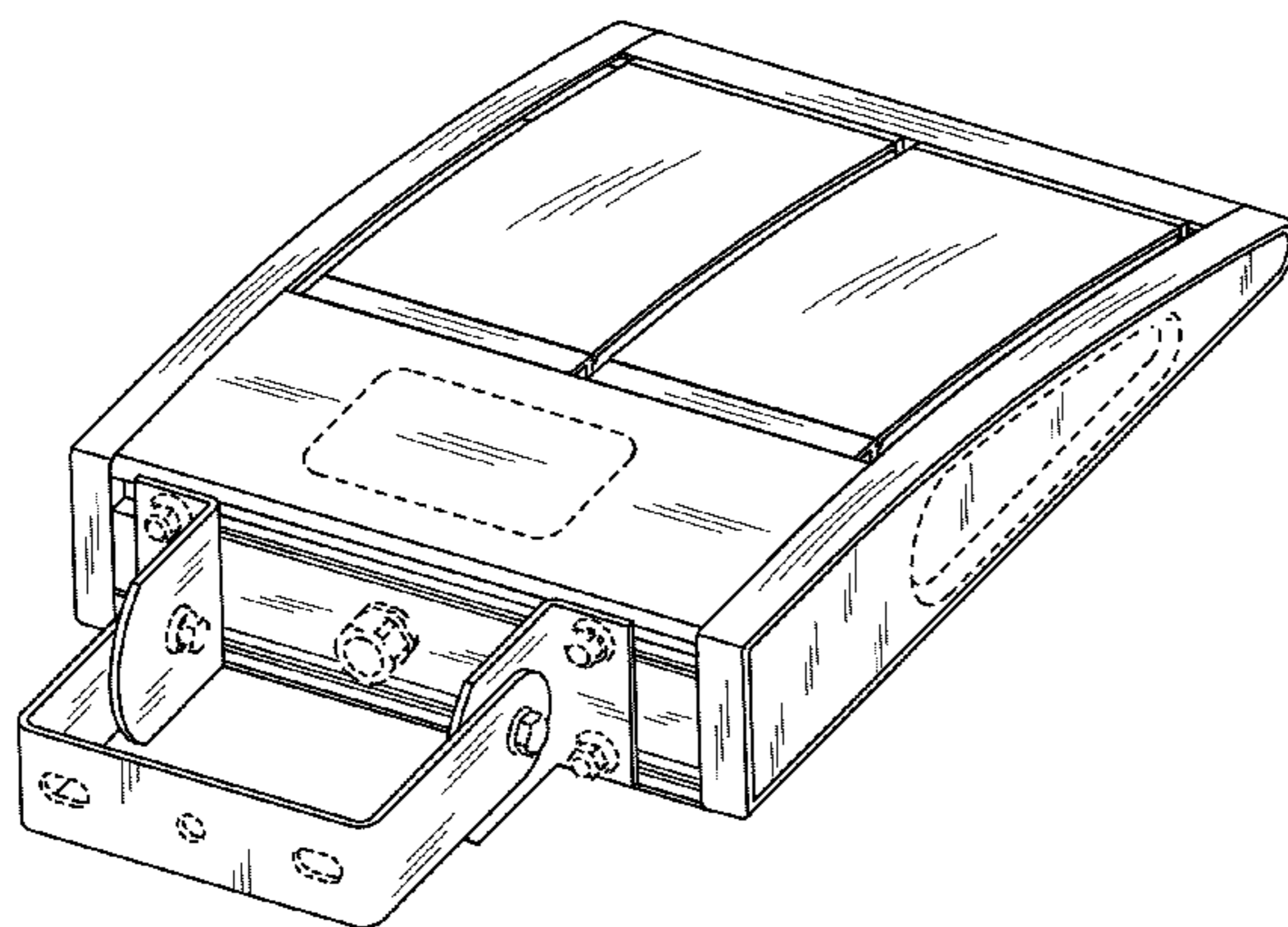
FIG. 6 is a front view thereof;

FIG. 7 is a bottom perspective view thereof; and,

FIG. 8 is a top perspective view thereof.

The broken lines are included for the purpose of illustrating environmental structure. The broken lines form no part of the claimed design.

**1 Claim, 8 Drawing Sheets**



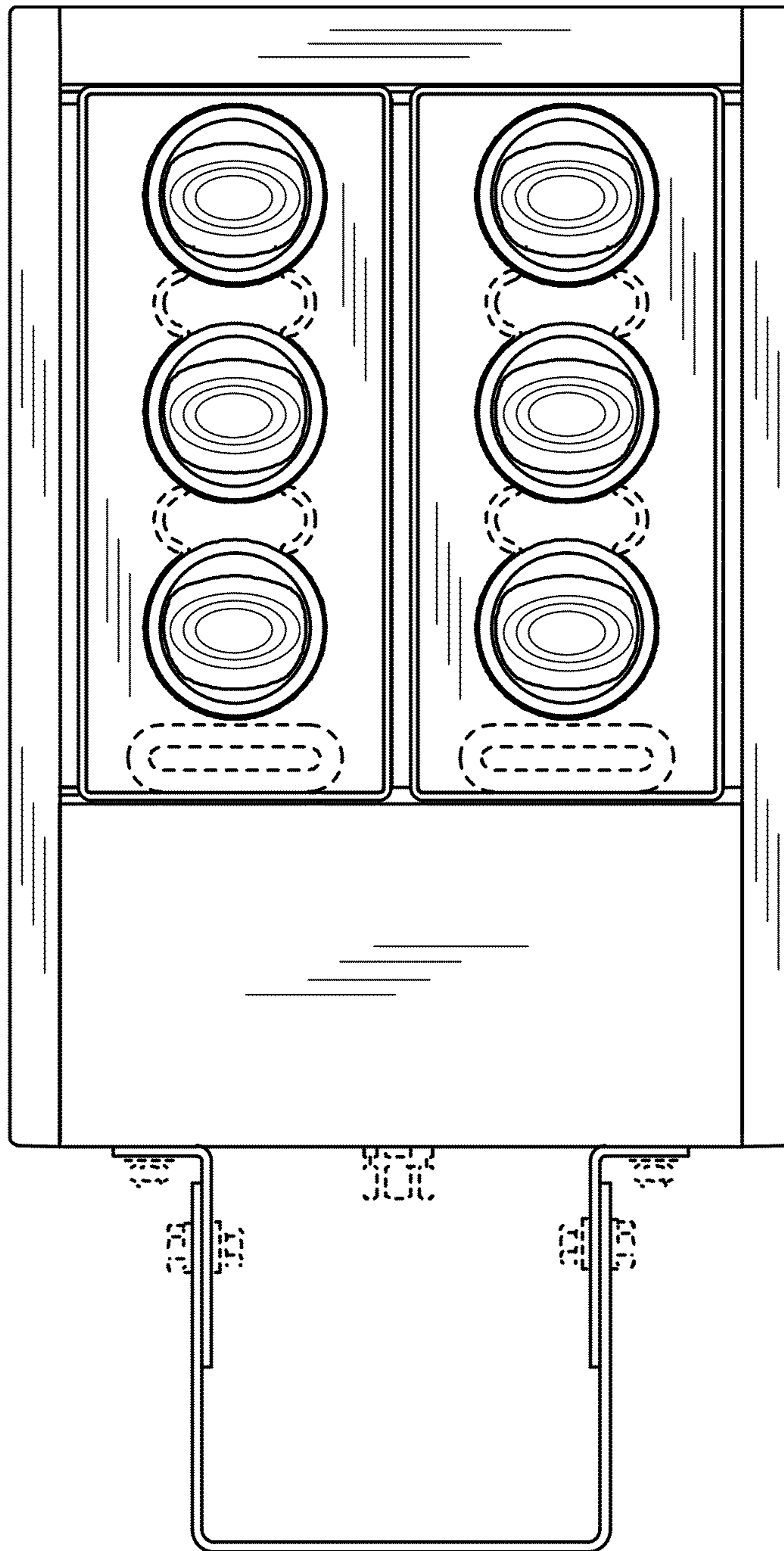


Fig. 1

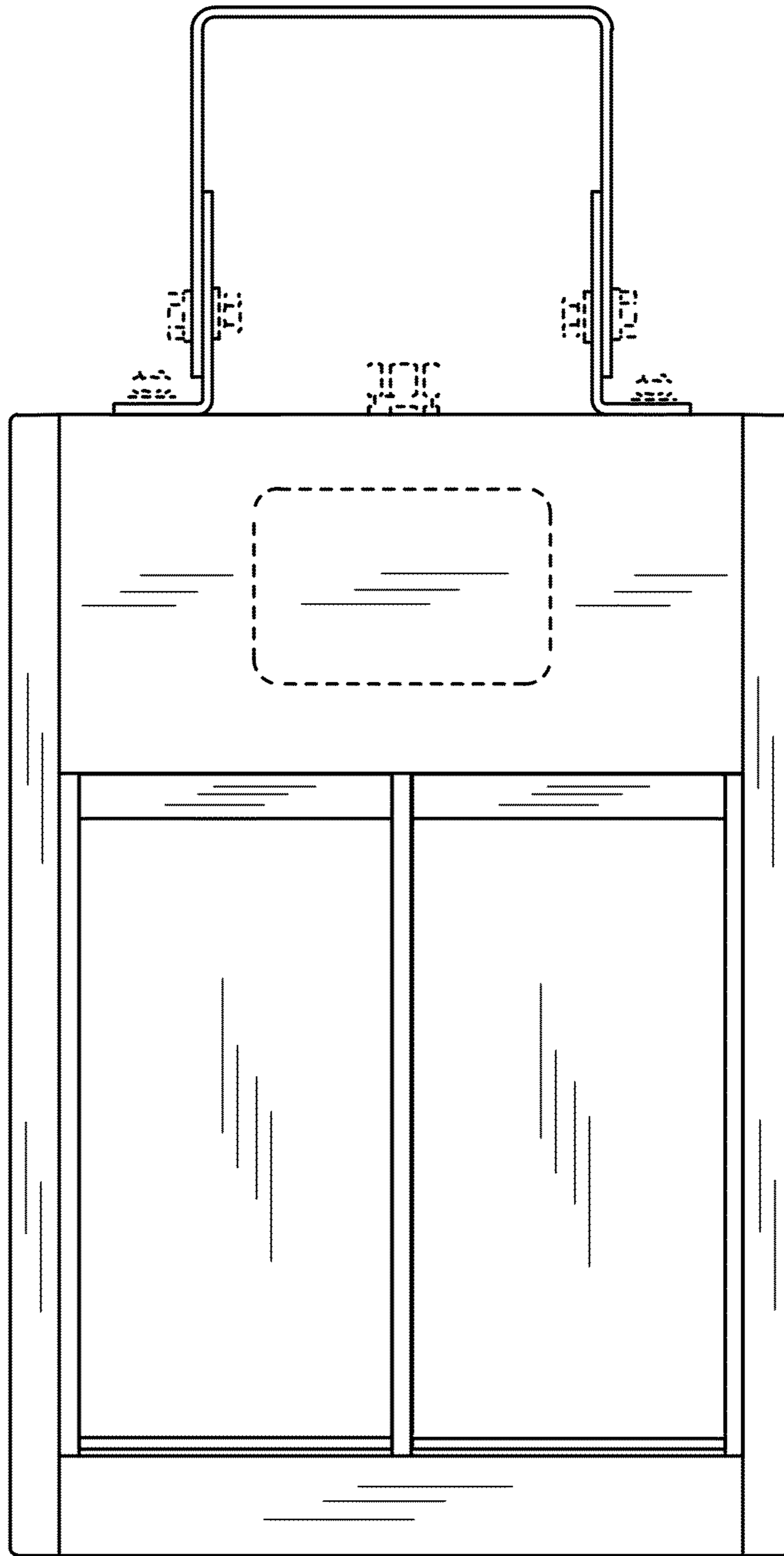


Fig. 2

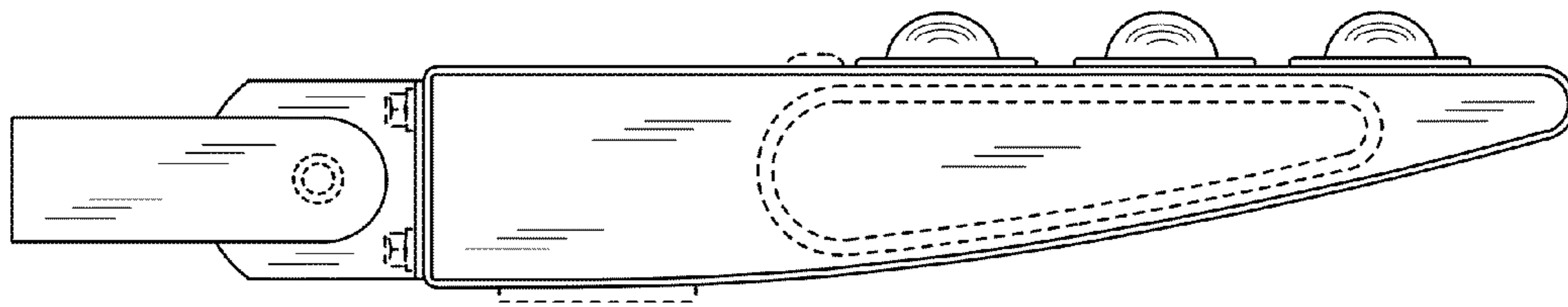


Fig. 3



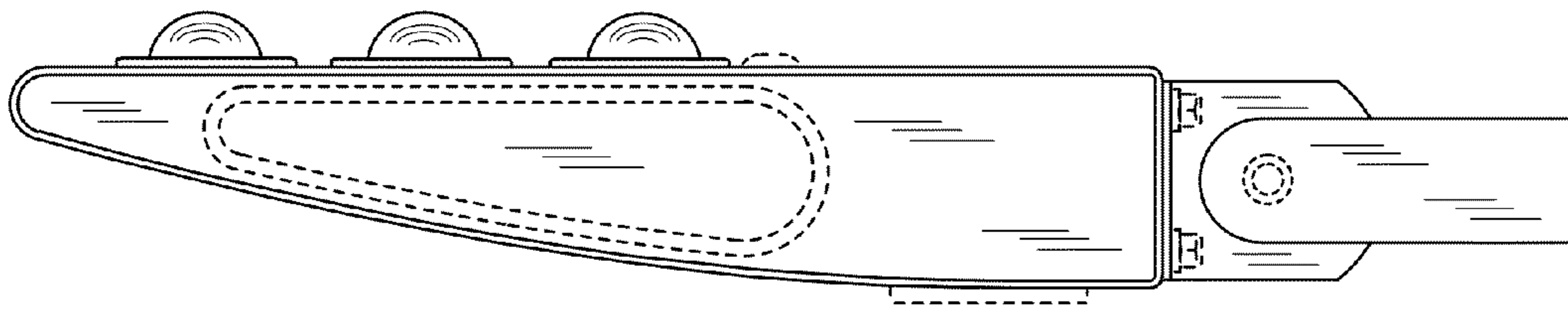


Fig. 4

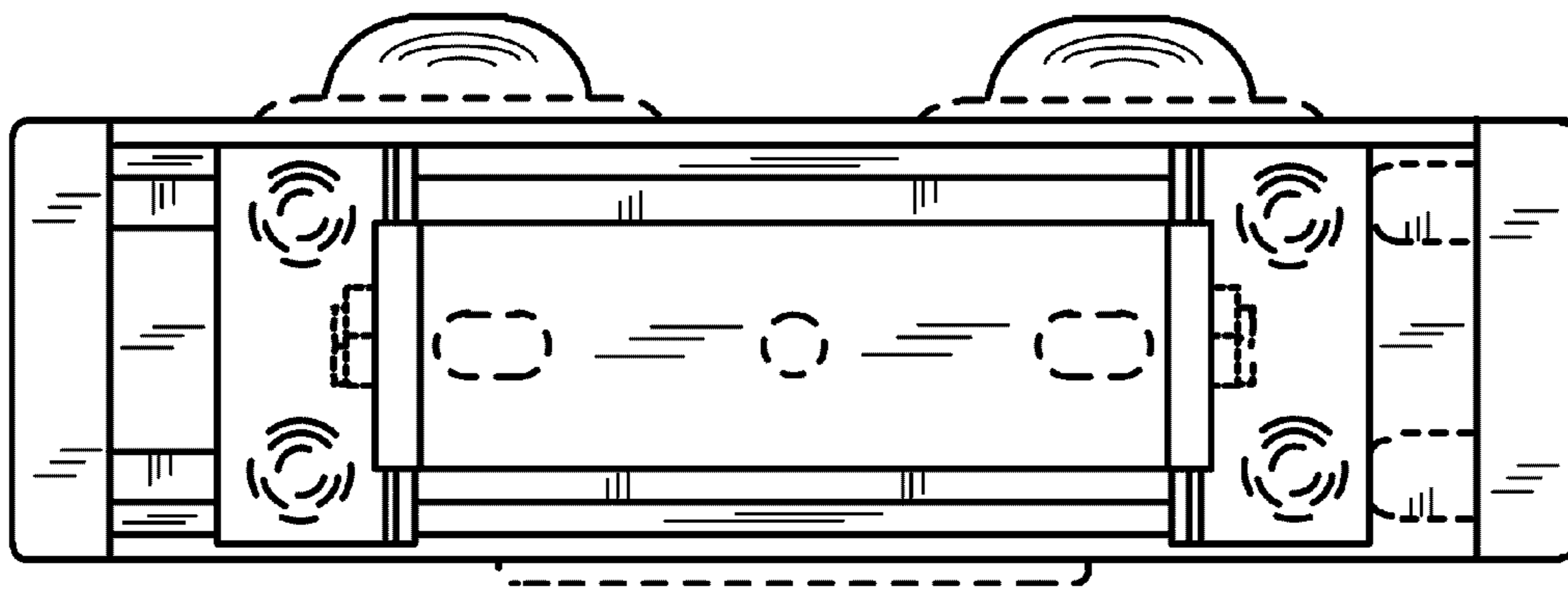


Fig. 5

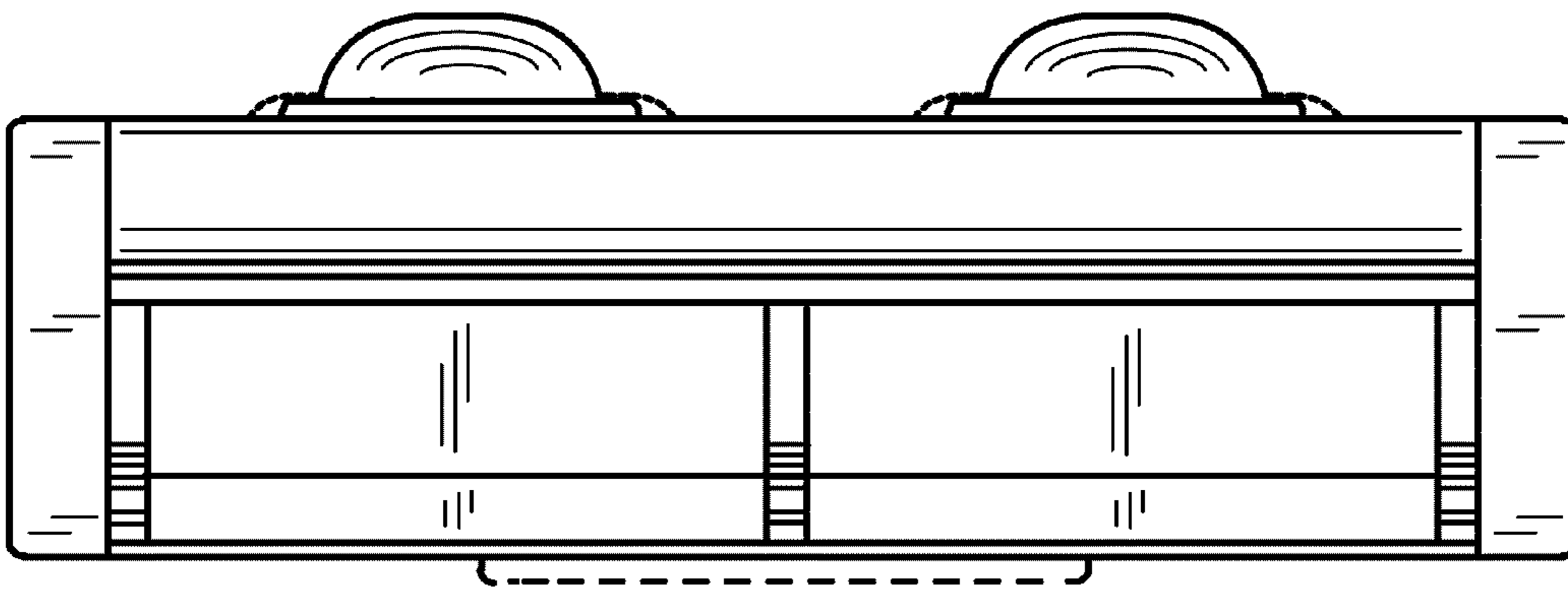


Fig. 6

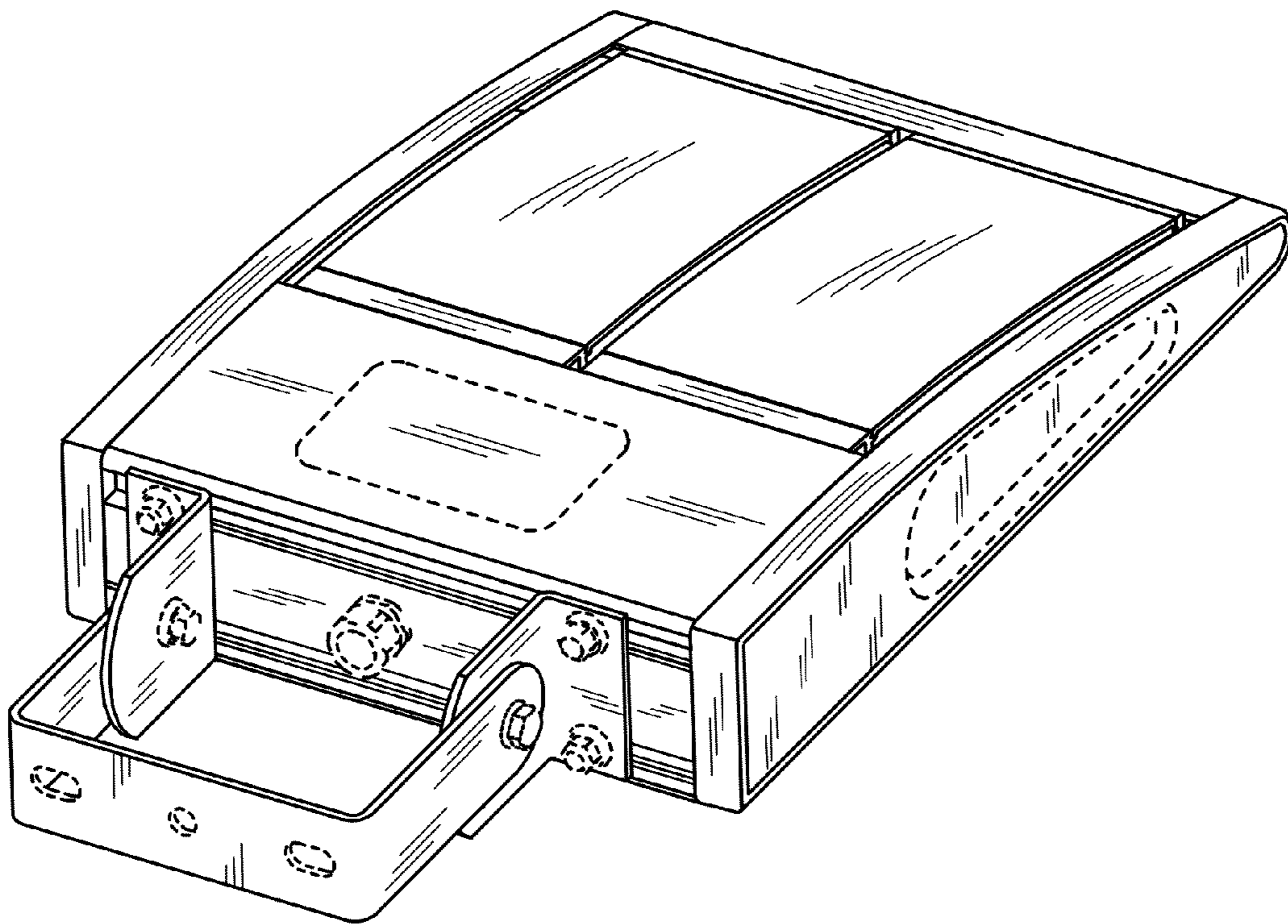


Fig. 7



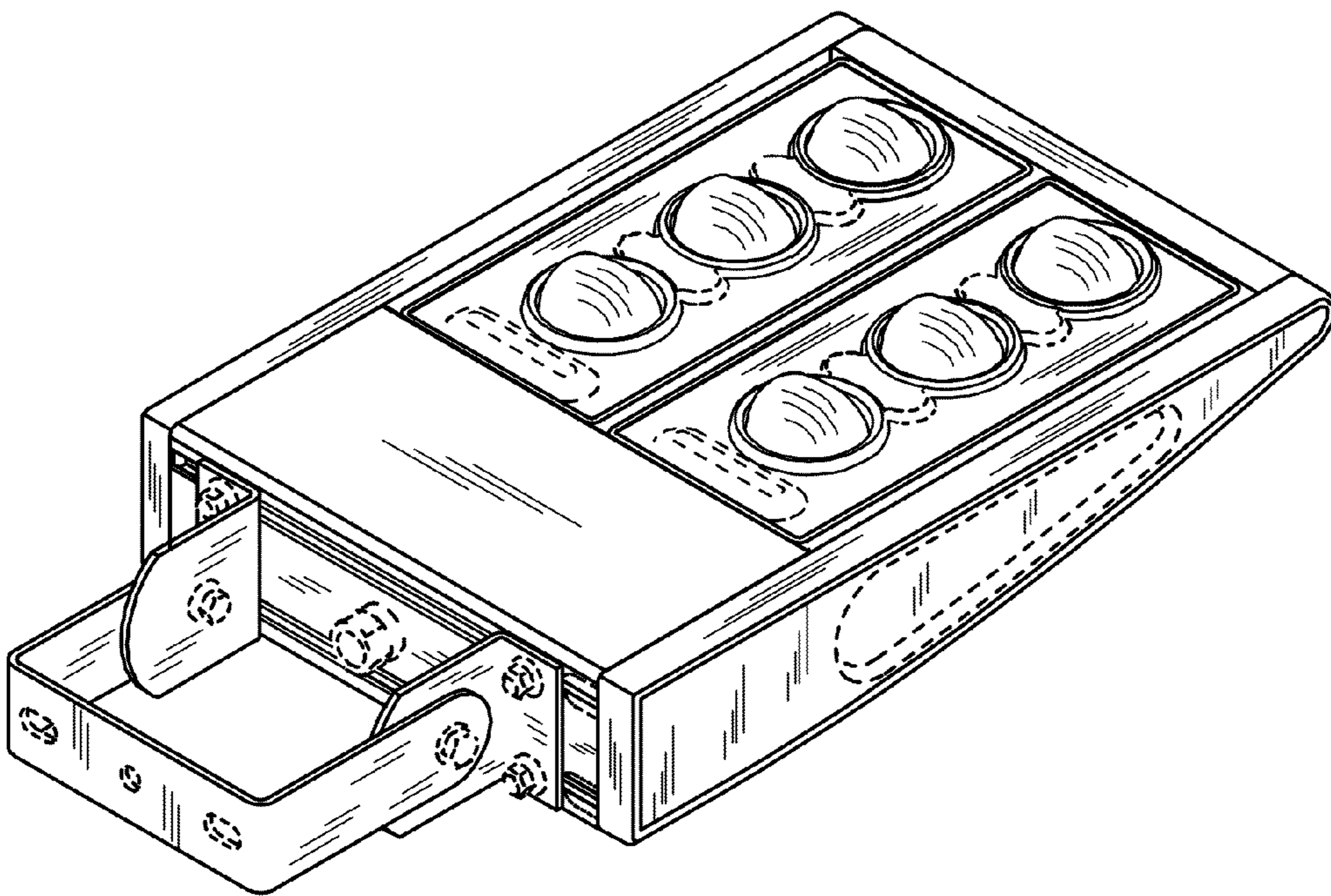


Fig. 8