



US00D734884S

(12) **United States Design Patent**
Rupp et al.

(10) **Patent No.:** **US D734,884 S**

(45) **Date of Patent:** **** Jul. 21, 2015**

(54) **LAMP**

(71) Applicants: **Timon Rupp**, Munich (DE); **Shiyong Zhang**, Boxborough, MA (US); **Phil Rioux**, Brentwood, NH (US); **Yichong Zeng**, Chelmsford, MA (US)

(72) Inventors: **Timon Rupp**, Munich (DE); **Shiyong Zhang**, Boxborough, MA (US); **Phil Rioux**, Brentwood, NH (US); **Yichong Zeng**, Chelmsford, MA (US)

(73) Assignee: **OSRAM SYLVANIA Inc.**, Danvers, MA (US)

(**) Term: **14 Years**

(21) Appl. No.: **29/495,975**

(22) Filed: **Jul. 8, 2014**

Related U.S. Application Data

(62) Division of application No. 29/436,163, filed on Nov. 2, 2012, now Pat. No. Des. 712,074.

(51) **LOC (10) CI.** **26-04**

(52) **U.S. CI.**
USPC **D26/2**

(58) **Field of Classification Search**
USPC D26/1-4; 313/313, 315, 316, 317, 318, 313/493; 315/52, 53, 56, 57, 58
See application file for complete search history.

(56) **References Cited**

U.S. PATENT DOCUMENTS

D532,532 S	11/2006	Maxik	
D541,957 S *	5/2007	Wang	D26/2
D544,110 S	6/2007	Hooker et al.	
D561,259 S *	2/2008	Frey	D20/10
D566,300 S	4/2008	Lo	
D581,555 S	11/2008	To et al.	

D584,838 S	1/2009	To et al.	
D631,571 S *	1/2011	Bobel	D26/2
D656,252 S *	3/2012	Engl et al.	D26/2
D658,790 S *	5/2012	Lee	D26/2
D661,413 S *	6/2012	Maxik et al.	D26/2
D667,969 S	9/2012	Rioux et al.	
D684,281 S	6/2013	Rioux et al.	
D689,631 S	9/2013	Zhang et al.	
D698,053 S	1/2014	Rupp et al.	
2010/0133578 A1	6/2010	Pickard et al.	

FOREIGN PATENT DOCUMENTS

EP	2256403 A2	12/2010
WO	2011029724 A1	3/2011

OTHER PUBLICATIONS

Brochure showing Osram Sylvania Ultra LED Narrow Beam PAR 38 Lamp, one design created by Shiyong Zhang, Yichong Zeng and Phil Rioux, exhibited May 7, 2012 at Las Vegas Light Fair Trade Show, Nevada, USA (1 page).

* cited by examiner

Primary Examiner — Marcus Jackson

(74) *Attorney, Agent, or Firm* — Edward S. Podszus

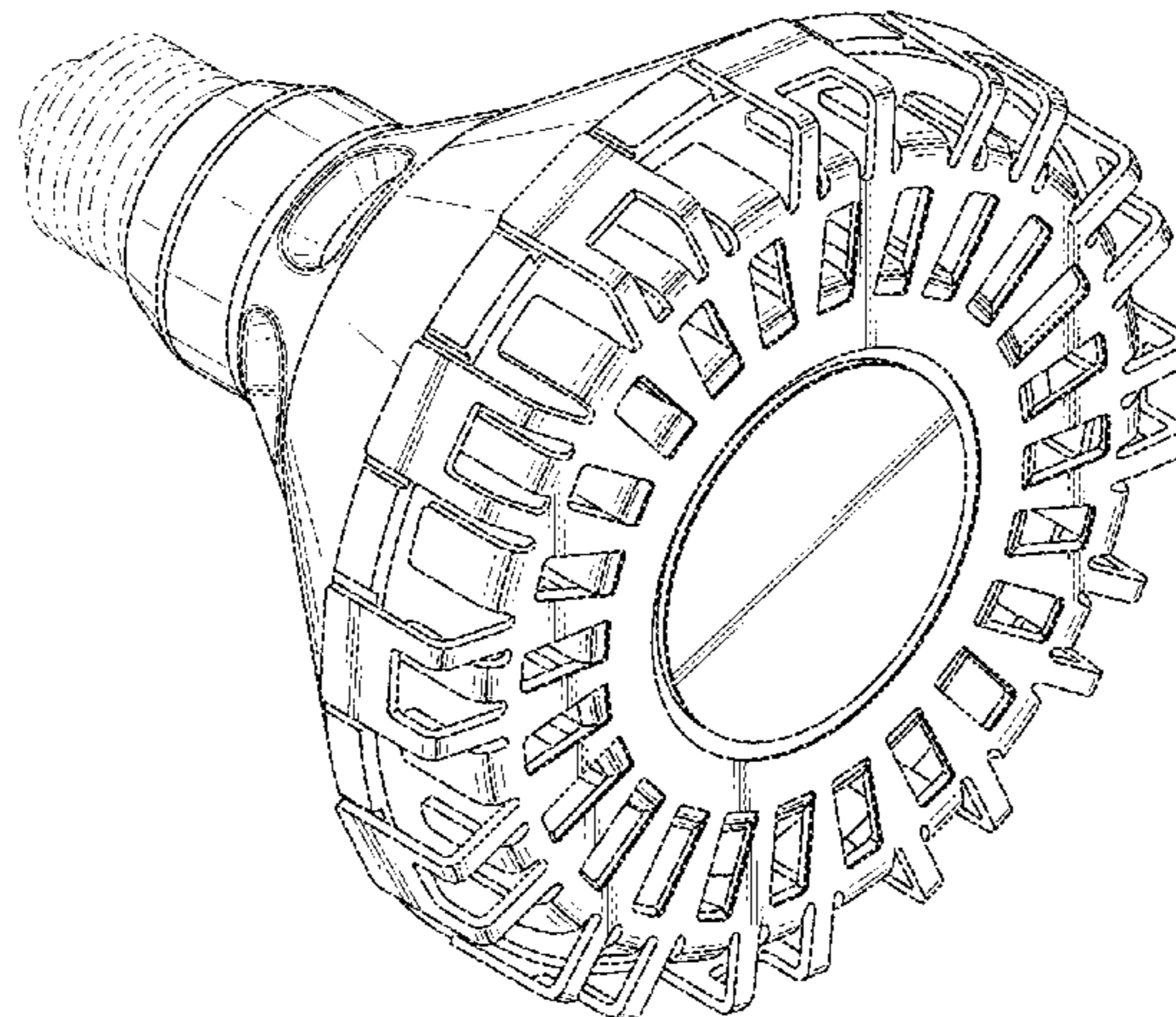
(57) **CLAIM**

The ornamental design for a lamp, as shown and described.

DESCRIPTION

FIG. 1 is a perspective view of the design for a lamp as seen from the front, top;
FIG. 2 is a rear perspective view as seen from the rear, side thereof;
FIG. 3 is a front side elevational view thereof;
FIG. 4 is a rear side elevational view thereof;
FIG. 5 is a top plan view thereof; and,
FIG. 6 is a rear plan view thereof.
The broken line disclosure is for environmental purposes only and does not form a part of the claimed design.

1 Claim, 6 Drawing Sheets



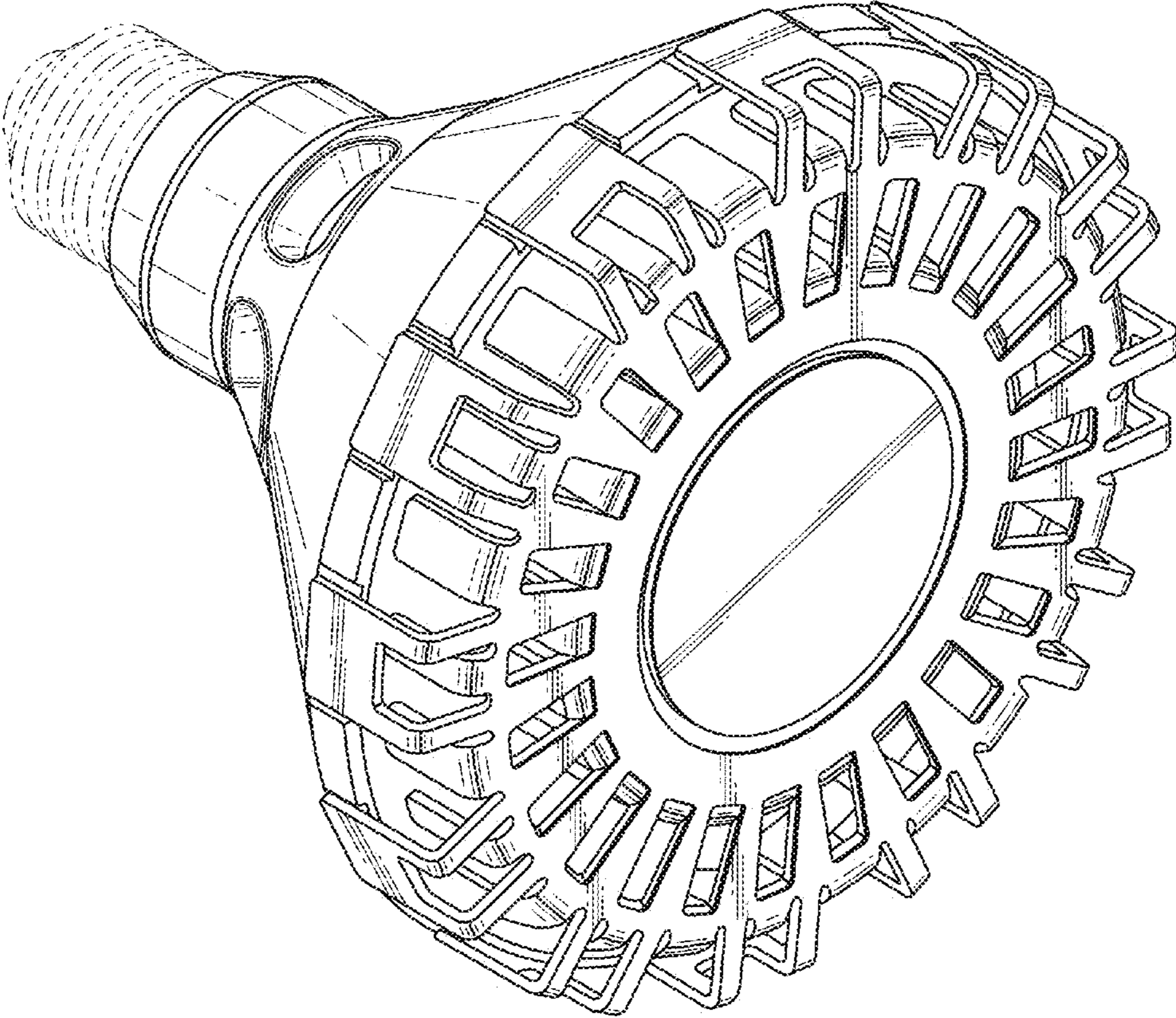


FIG. 1

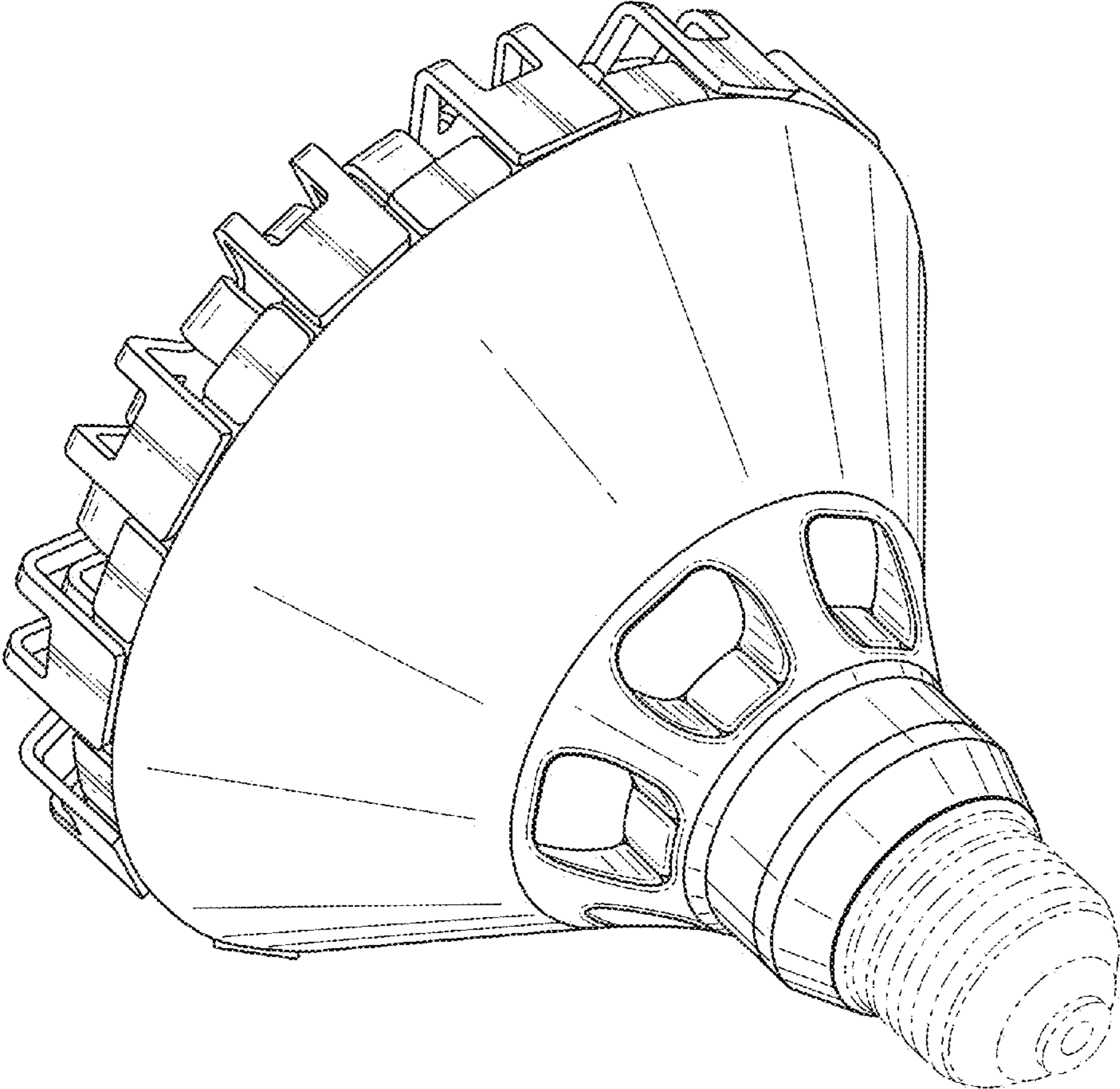


FIG. 2

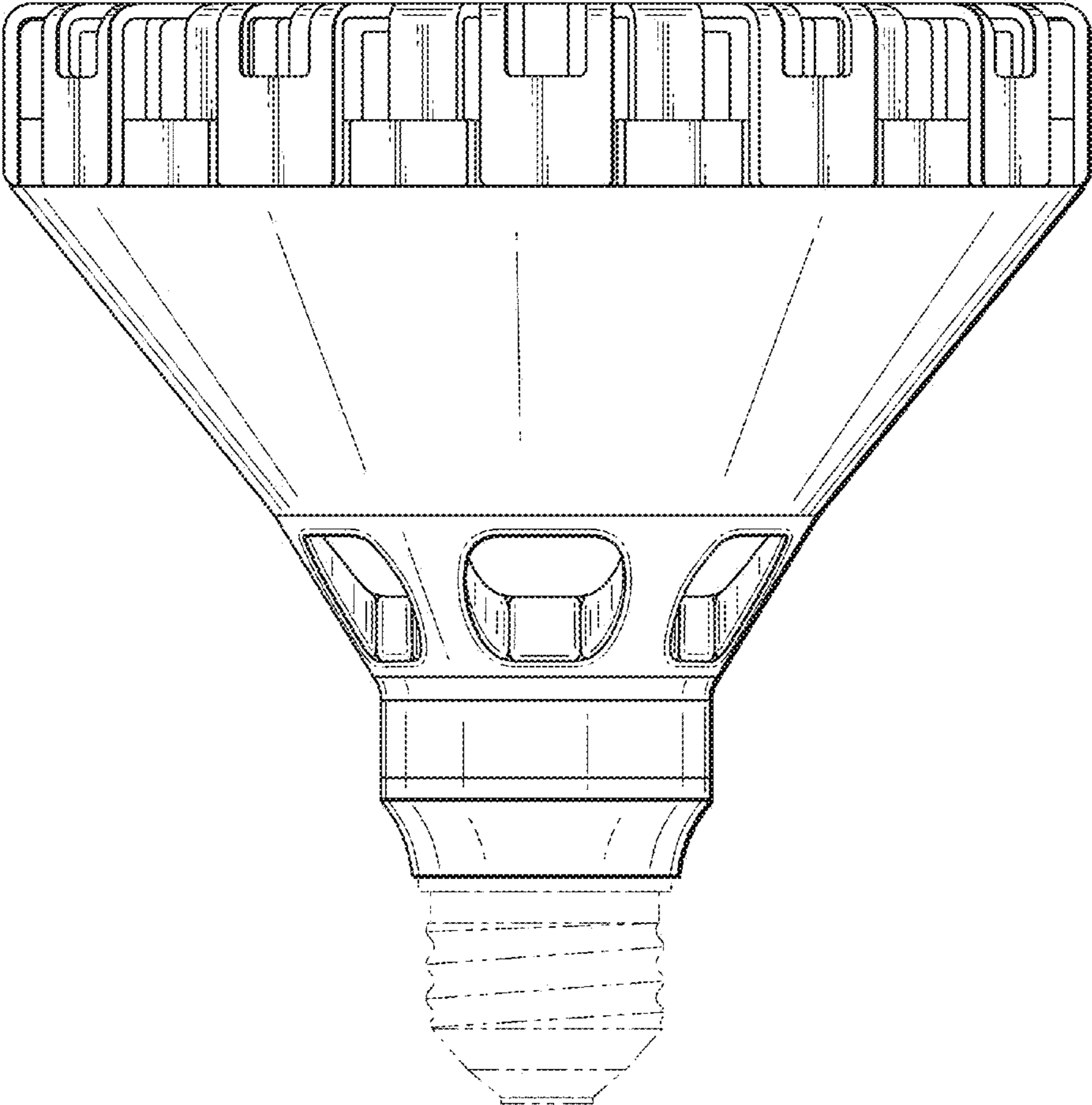


FIG. 3

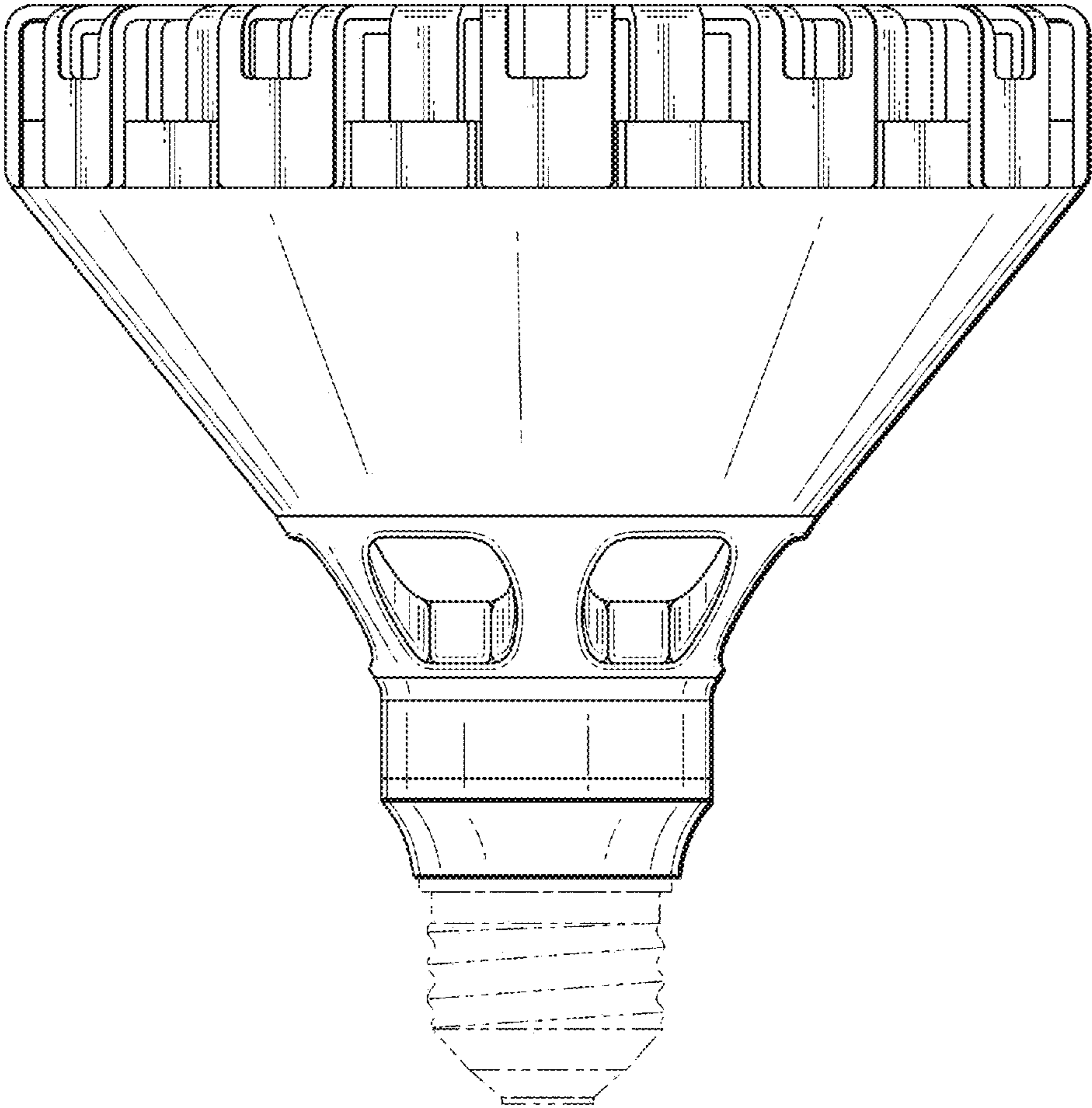


FIG. 4

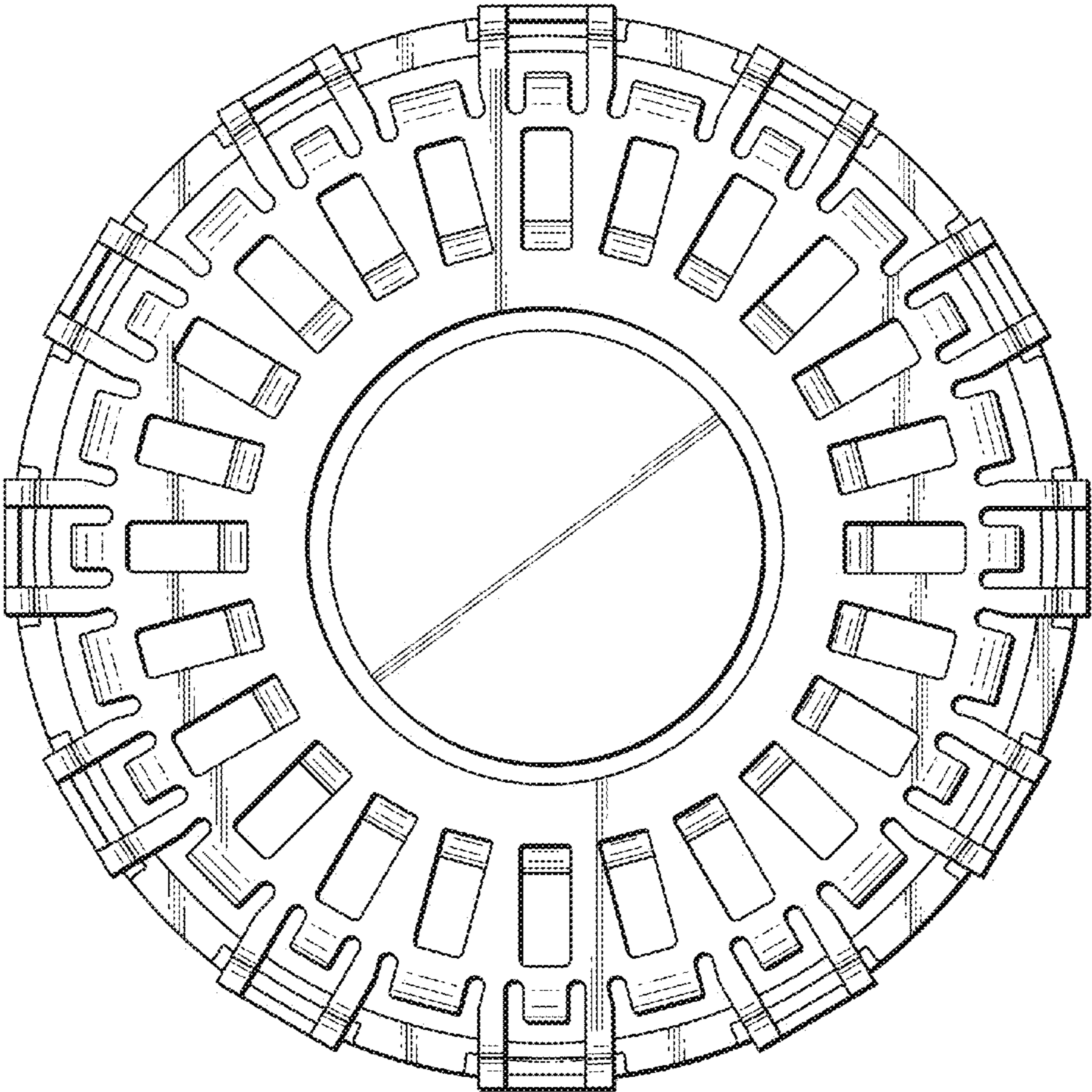


FIG. 5

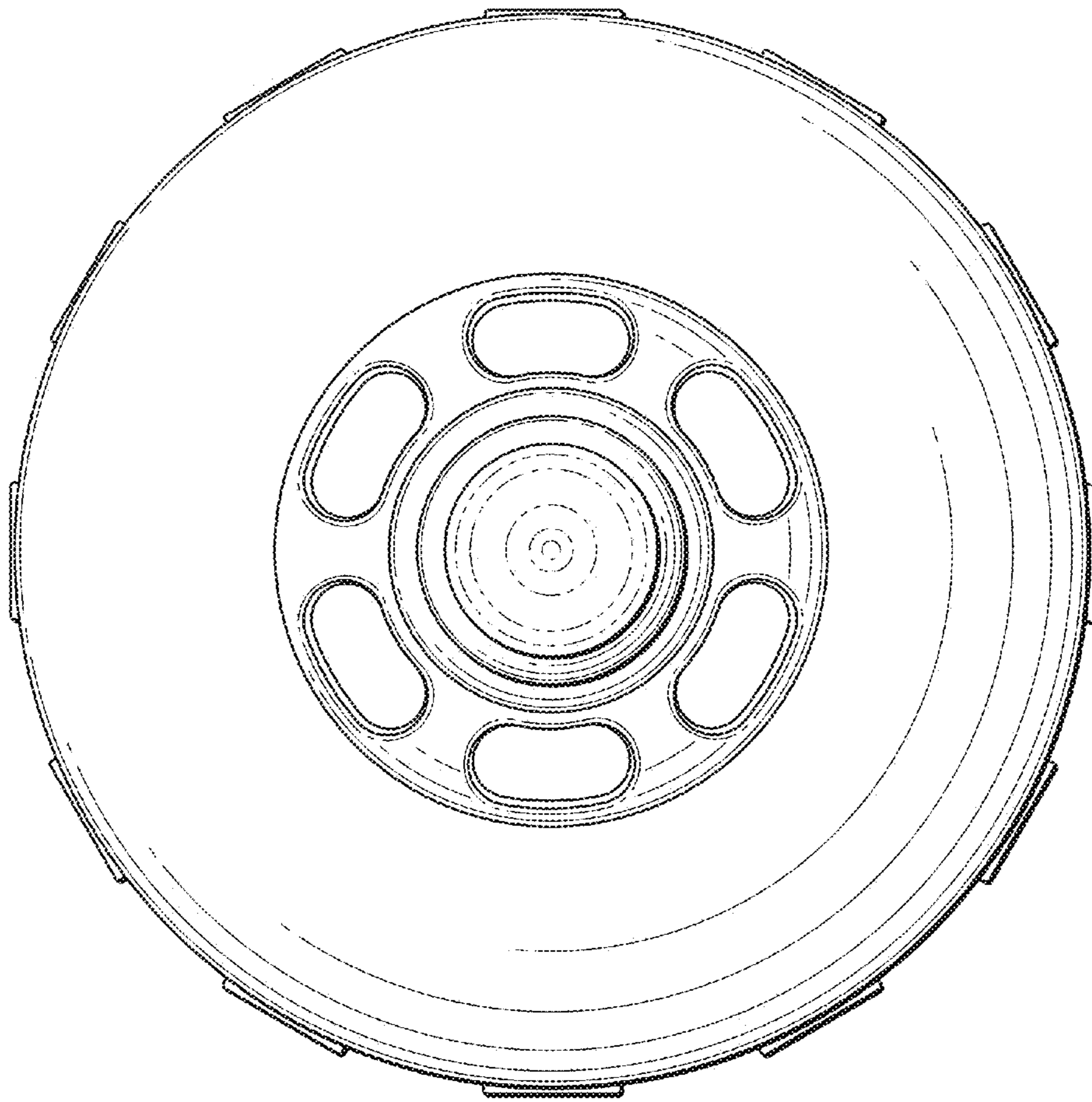


FIG. 6