

US00D734883S

(12) **United States Design Patent**  
**Yu**

(10) **Patent No.:** **US D734,883 S**  
(45) **Date of Patent:** **\*\* Jul. 21, 2015**

(54) **LED LAMP**

(56) **References Cited**

(71) Applicant: **Ningbo Paccar Electronic Co., Ltd.,**  
Cixi (CN)

U.S. PATENT DOCUMENTS

(72) Inventor: **Miaorui Yu, Cixi (CN)**

D542,943 S *	5/2007	Wang .....	D26/2
D545,457 S *	6/2007	Chen .....	D26/2
D546,980 S *	7/2007	Lo .....	D26/2
D549,854 S *	8/2007	Takahashi .....	D26/2
D566,300 S *	4/2008	Lo .....	D26/2
D582,578 S *	12/2008	Tsai et al. ....	D26/2
D691,745 S *	10/2013	Wang et al. ....	D26/2

(73) Assignee: **Ningbo Paccar Electronic Co., Ltd.,**  
Cixi (CN)

\* cited by examiner

(\*\*) Term: **14 Years**

*Primary Examiner* — Marcus Jackson

(21) Appl. No.: **29/492,970**

(74) *Attorney, Agent, or Firm* — Gemini Patent Services,  
Inc.; Stephen Hsu; Li K. Wang

(22) Filed: **Jun. 4, 2014**

(57) **CLAIM**

The ornamental design for an LED lamp, as shown and described.

(30) **Foreign Application Priority Data**

**DESCRIPTION**

Dec. 6, 2013 (CN) ..... 2013 3 0605282

(51) **LOC (10) Cl.** ..... **26-04**

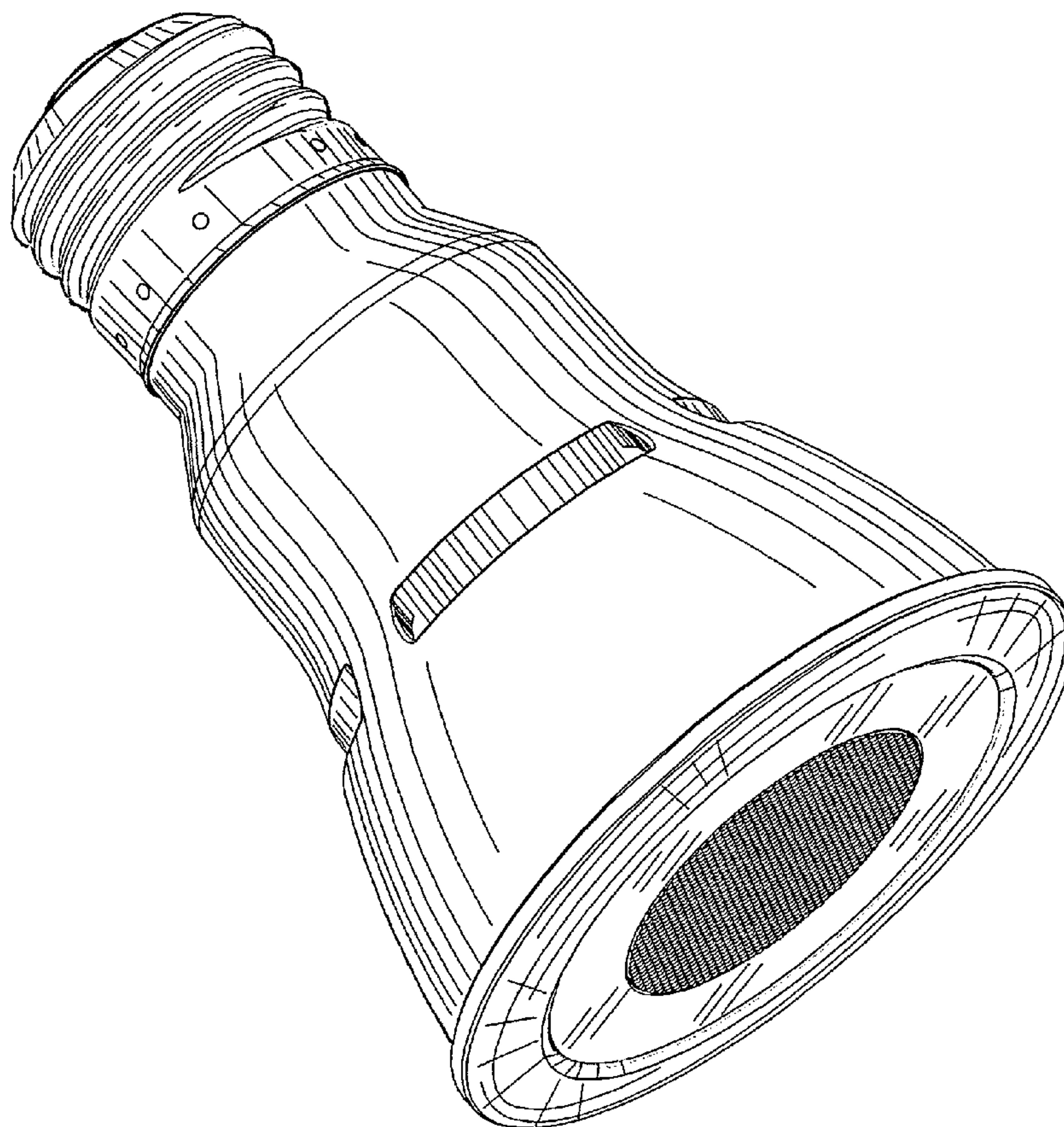
FIG. 1 is a front view of the LED lamp;  
FIG. 2 is a right side view thereof;  
FIG. 3 is a left side view thereof;  
FIG. 4 is a back side view thereof;  
FIG. 5 is a bottom plan view thereof;  
FIG. 6 is a top plan view thereof; and,  
FIG. 7 is a perspective view thereof.

(52) **U.S. Cl.**  
USPC ..... **D26/2**

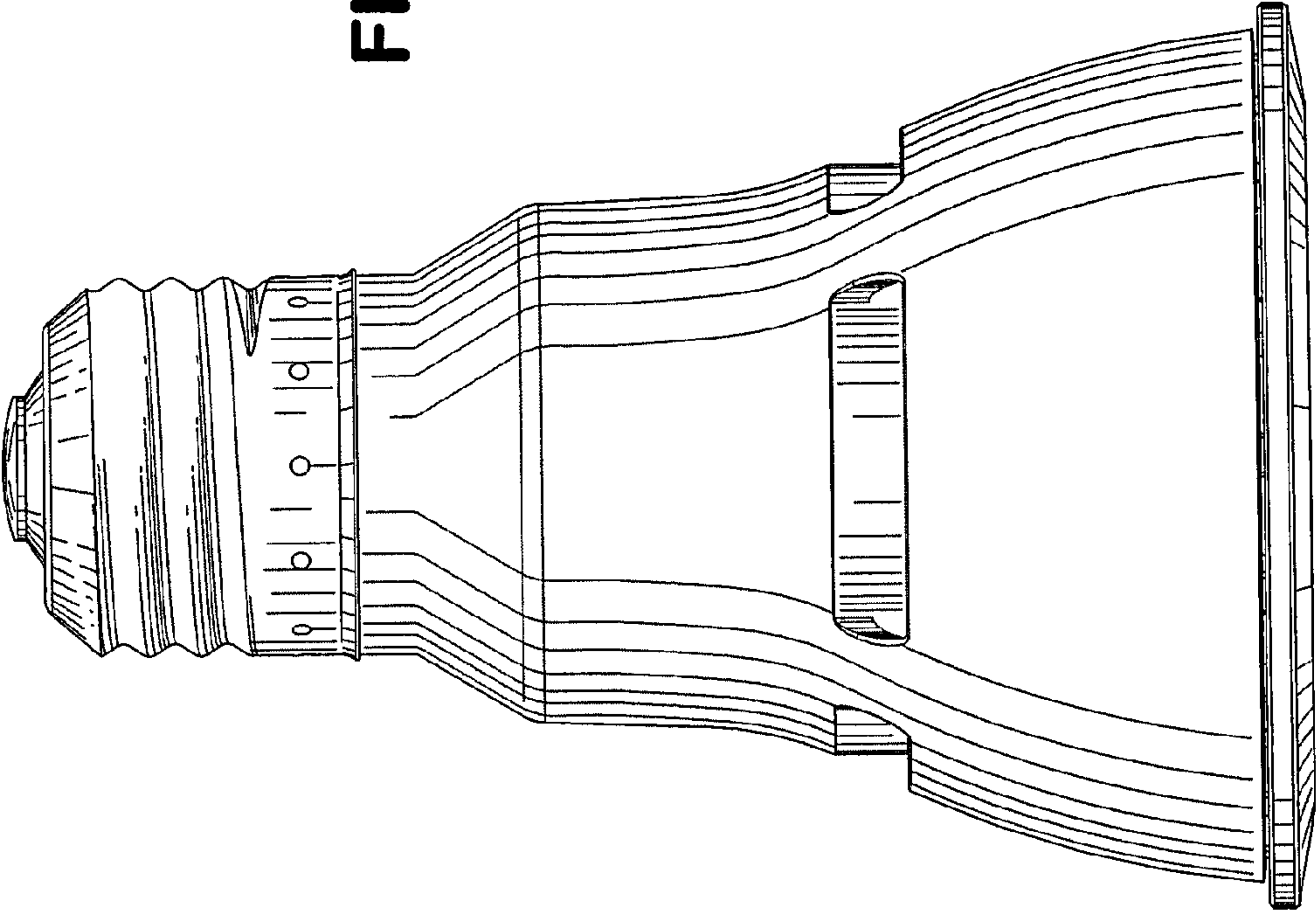
(58) **Field of Classification Search**  
USPC ..... D26/1-4; 313/313, 315, 316, 317, 318,  
313/493; 315/52, 53, 56, 57, 58

See application file for complete search history.

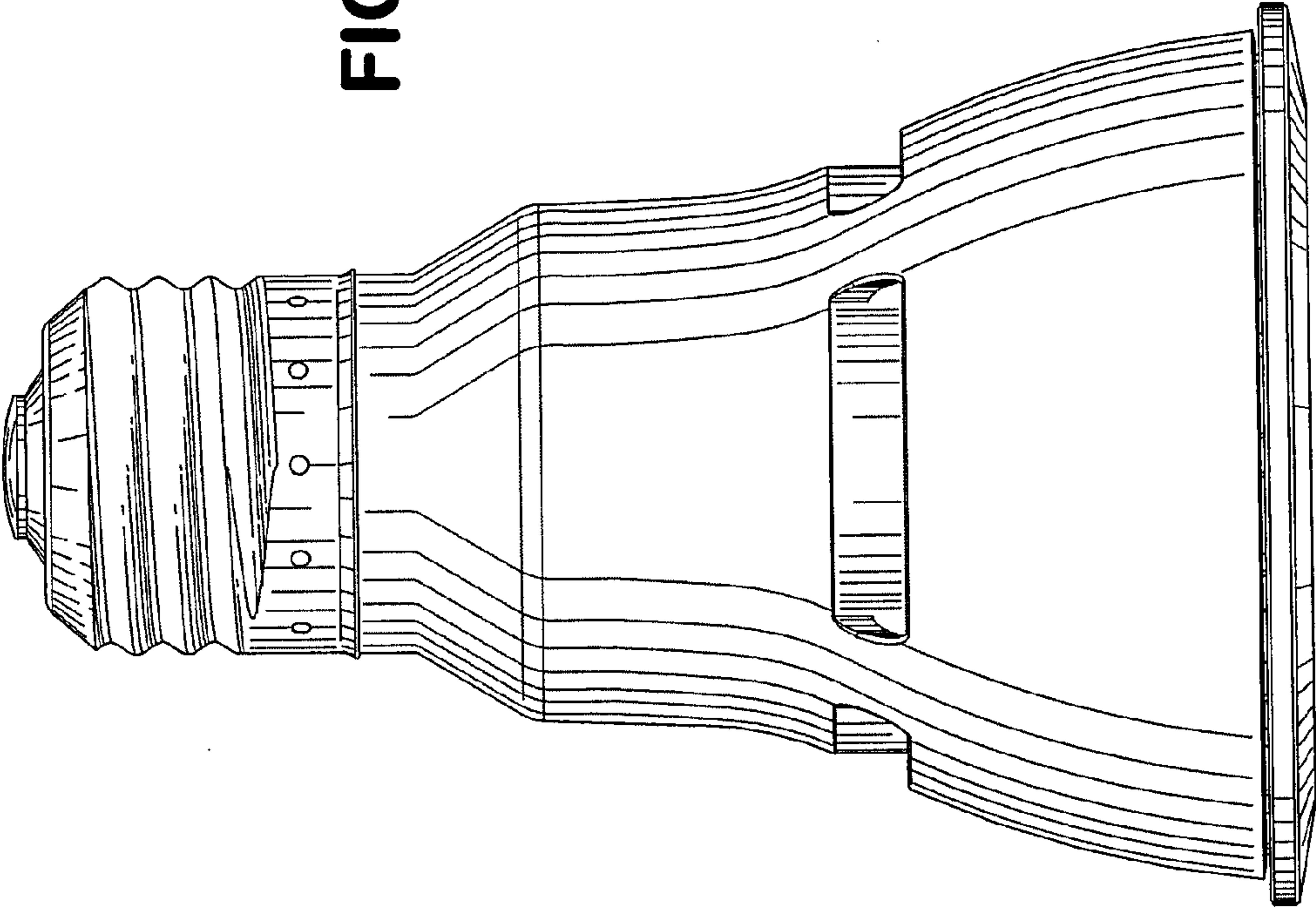
**1 Claim, 4 Drawing Sheets**



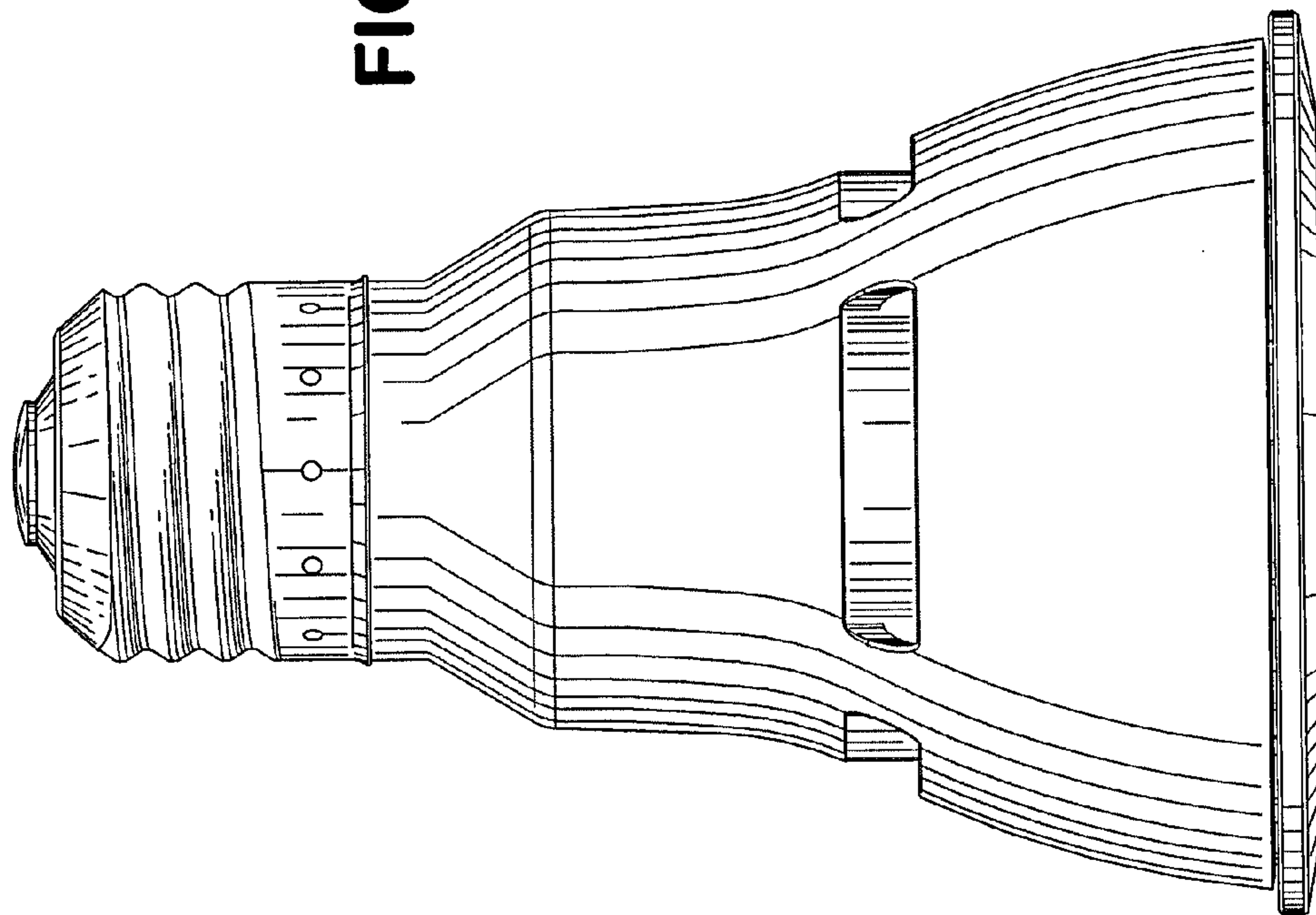
**FIG. 2**



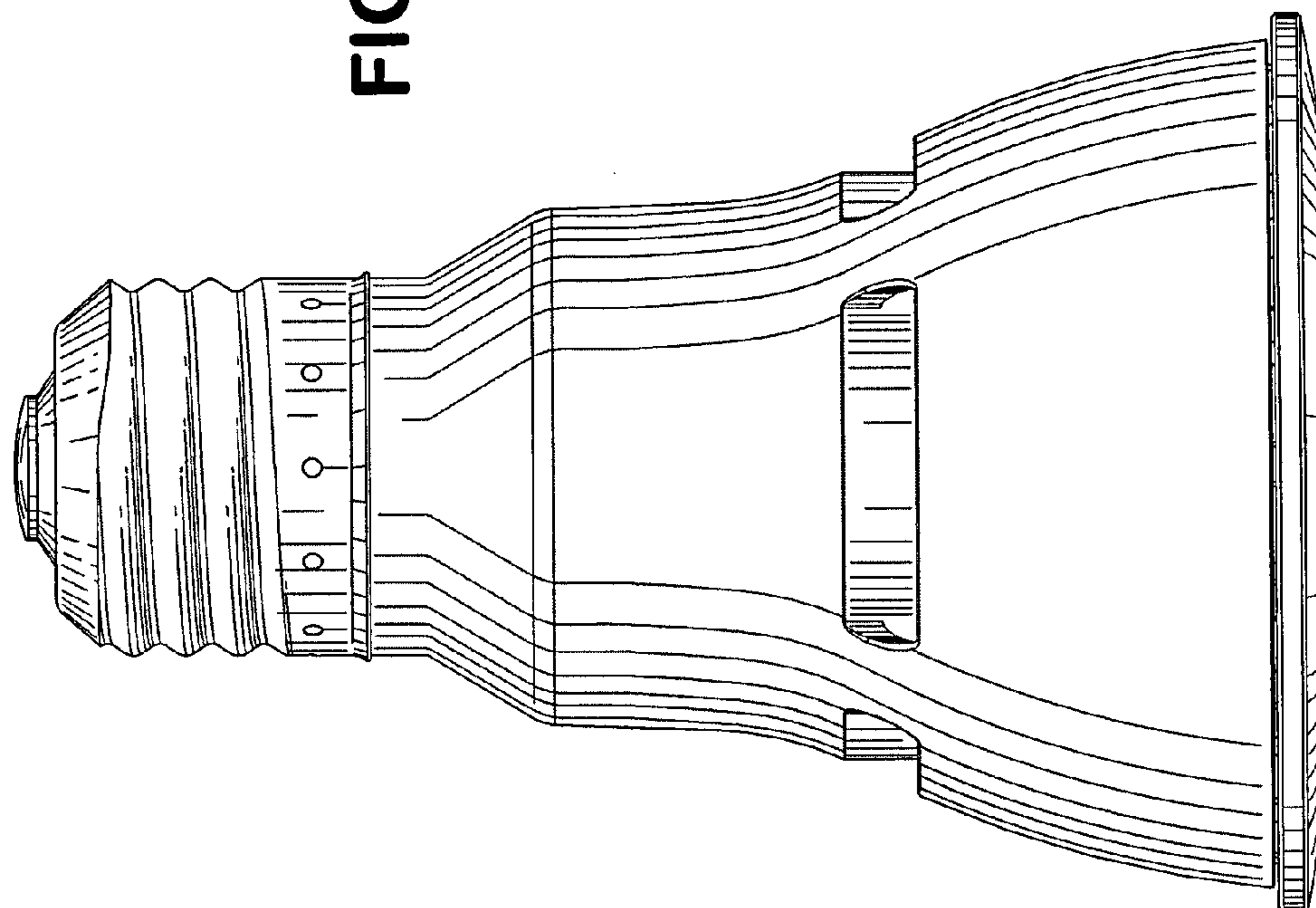
**FIG. 1**



**FIG. 4**



**FIG. 3**





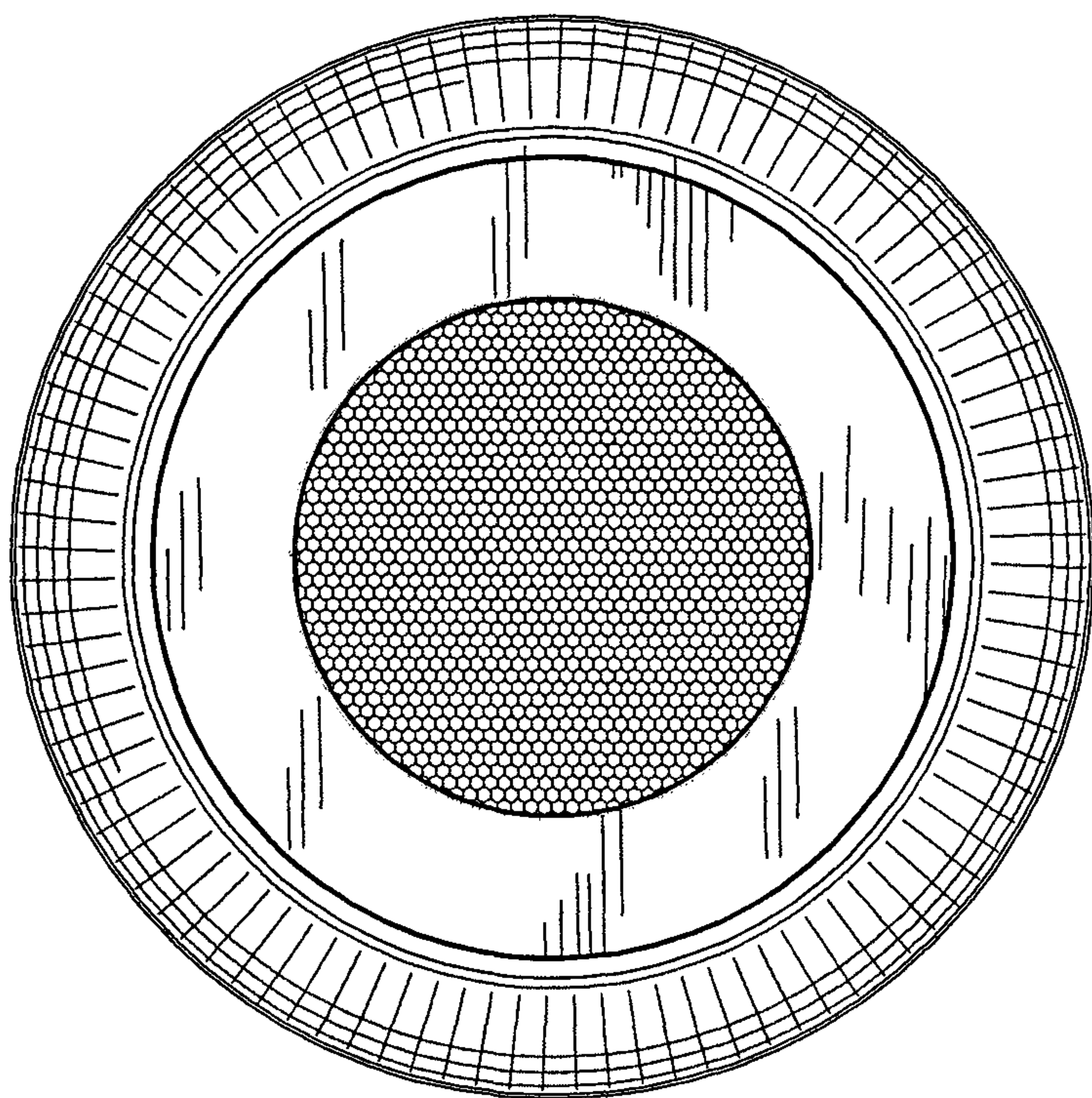


FIG. 6

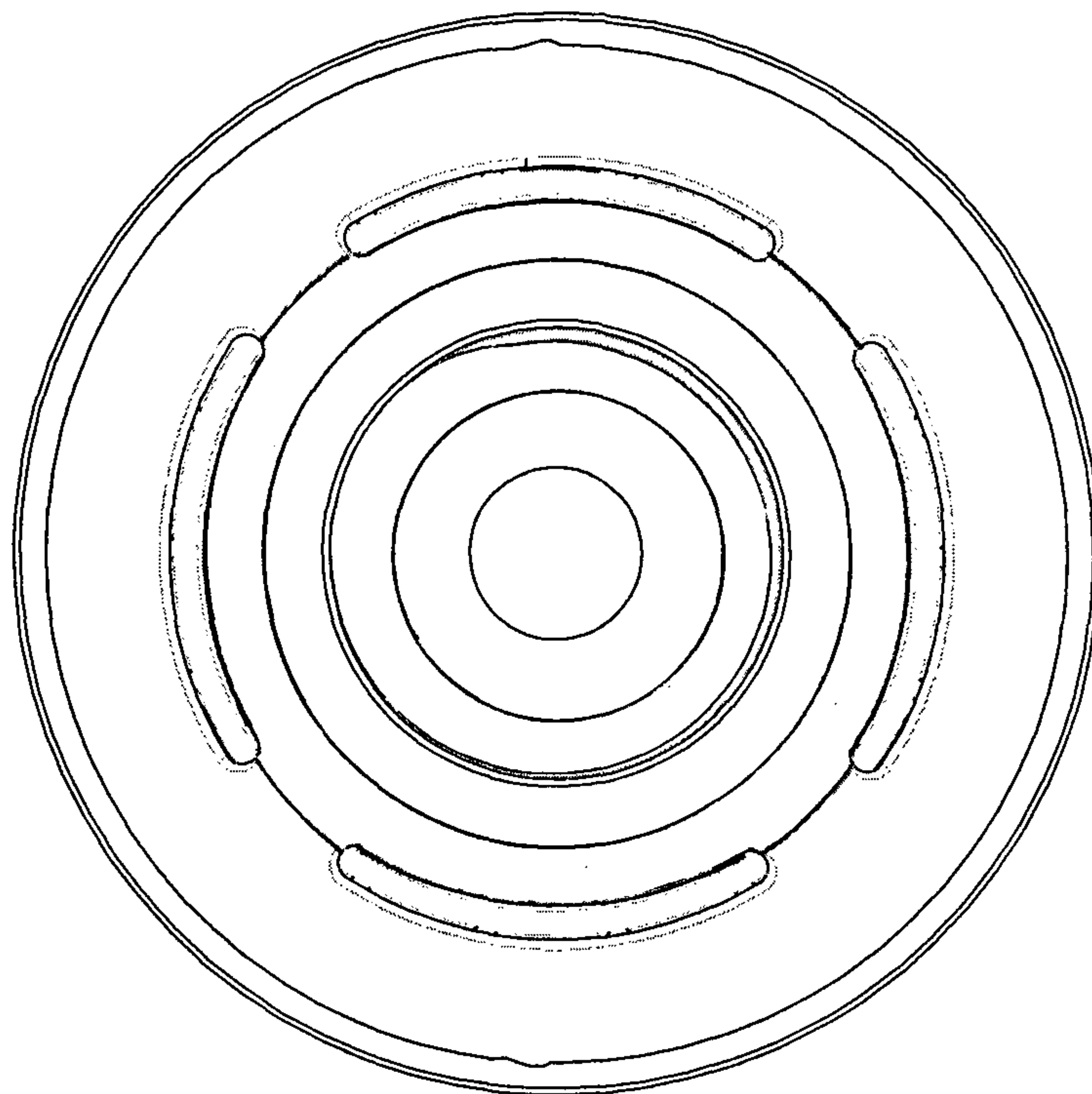


FIG. 5

**FIG. 7**

