



US00D734881S

(12) **United States Design Patent**  
**Yu**

(10) **Patent No.:** **US D734,881 S**  
(45) **Date of Patent:** **\*\* Jul. 21, 2015**

(54) **LED LAMP**

(56) **References Cited**

(71) Applicant: **Ningbo Paccar Electronic Co., Ltd.,**  
Cixi (CN)

(72) Inventor: **Miaorui Yu, Cixi (CN)**

(73) Assignee: **Ningbo Paccar Electronic Co., Ltd.,**  
Cixi (CN)

(\*\*) Term: **14 Years**

(21) Appl. No.: **29/492,389**

(22) Filed: **May 30, 2014**

(30) **Foreign Application Priority Data**

Dec. 6, 2013 (CN) ..... 2013 3 0605436

(51) **LOC (10) Cl.** ..... **26-04**

(52) **U.S. Cl.**  
USPC ..... **D26/2**

(58) **Field of Classification Search**  
USPC ..... D26/1-4; 313/313, 315, 316, 317, 318,  
313/493; 315/52, 53, 56, 57, 58

See application file for complete search history.

U.S. PATENT DOCUMENTS

D534,665 S *	1/2007	Egawa et al.	.....	D26/2
D542,426 S *	5/2007	Itaya et al.	.....	D26/2
D549,361 S *	8/2007	To et al.	.....	D26/2
D581,556 S *	11/2008	To et al.	.....	D26/2
D600,367 S *	9/2009	Bertram et al.	.....	D26/2
D602,614 S *	10/2009	Takahashi et al.	.....	D26/2
D617,918 S *	6/2010	Yamamoto et al.	.....	D26/2
D635,281 S *	3/2011	Murakami et al.	.....	D26/2
D660,469 S *	5/2012	Mase et al.	.....	D26/2

\* cited by examiner

*Primary Examiner* — Marcus Jackson

(74) *Attorney, Agent, or Firm* — Gemini Patent Services, Inc.; Stephen Hsu; Li K. Wang

(57) **CLAIM**

The ornamental design for an LED lamp, as shown and described.

**DESCRIPTION**

FIG. 1 is a front view of the LED lamp;  
FIG. 2 is a right side view thereof;  
FIG. 3 is a left side view thereof;  
FIG. 4 is a back side view thereof;  
FIG. 5 is a bottom plan view thereof;  
FIG. 6 is a top plan view thereof; and,  
FIG. 7 is a perspective view thereof.

**1 Claim, 4 Drawing Sheets**



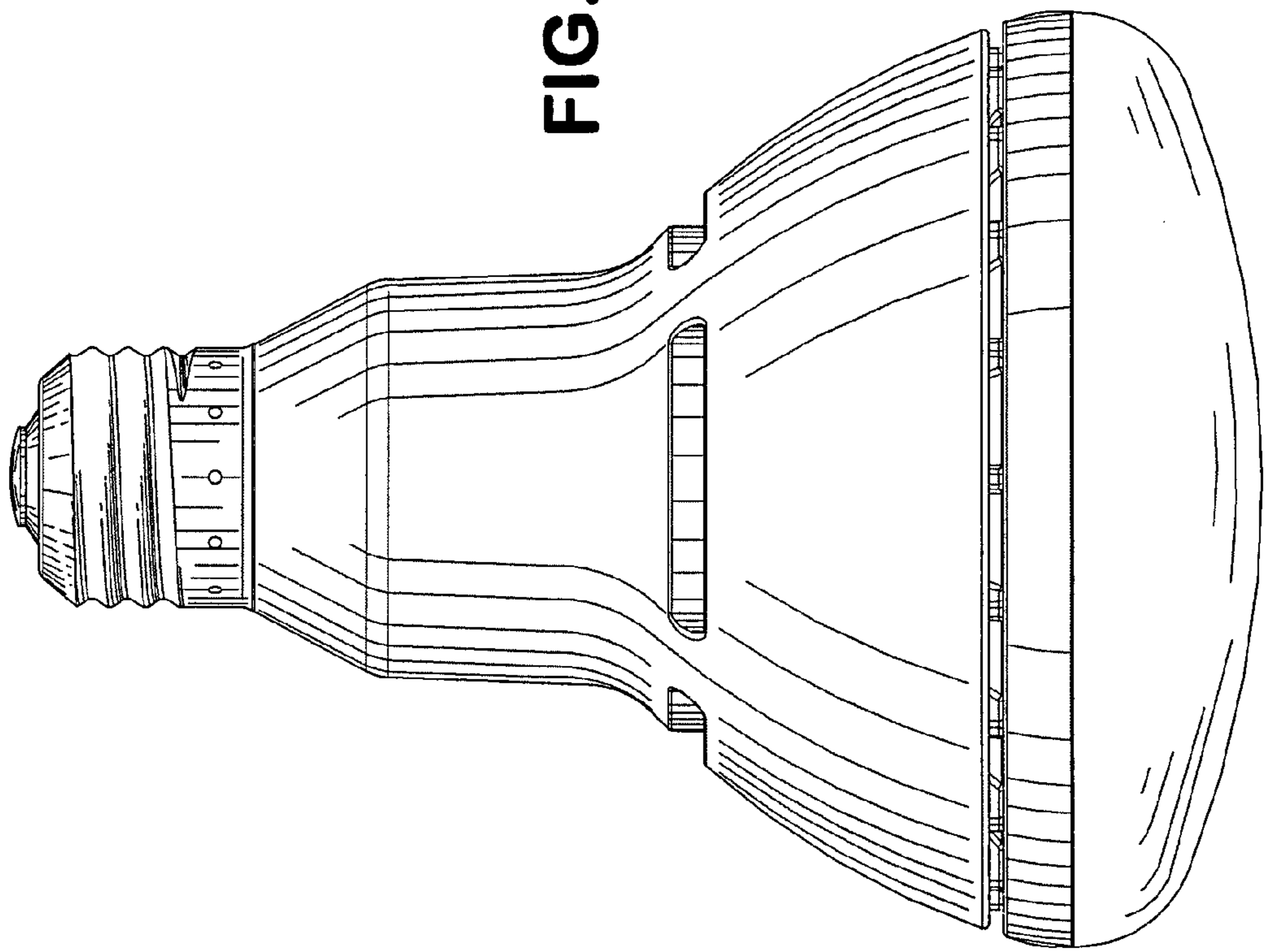


FIG. 2

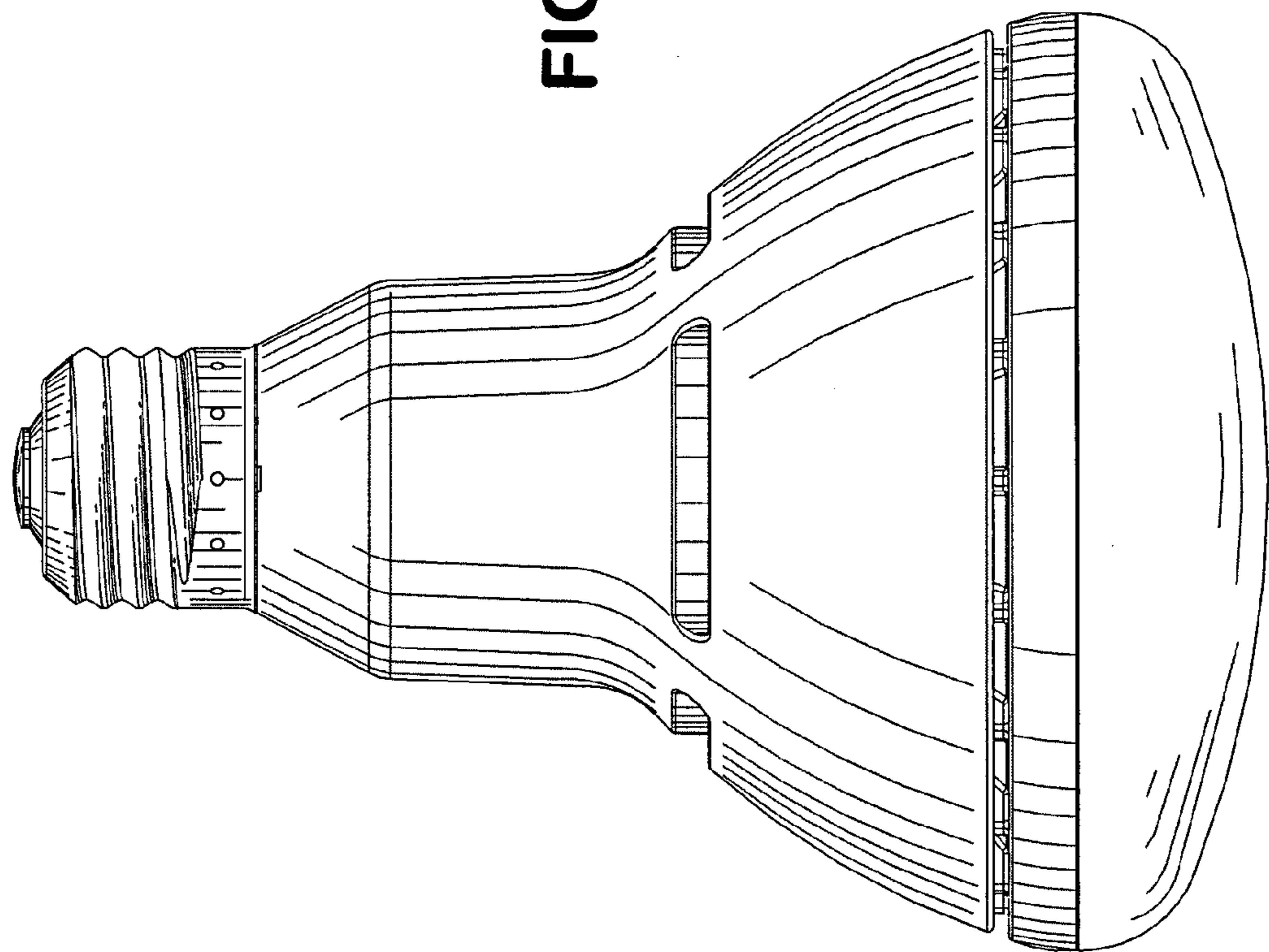
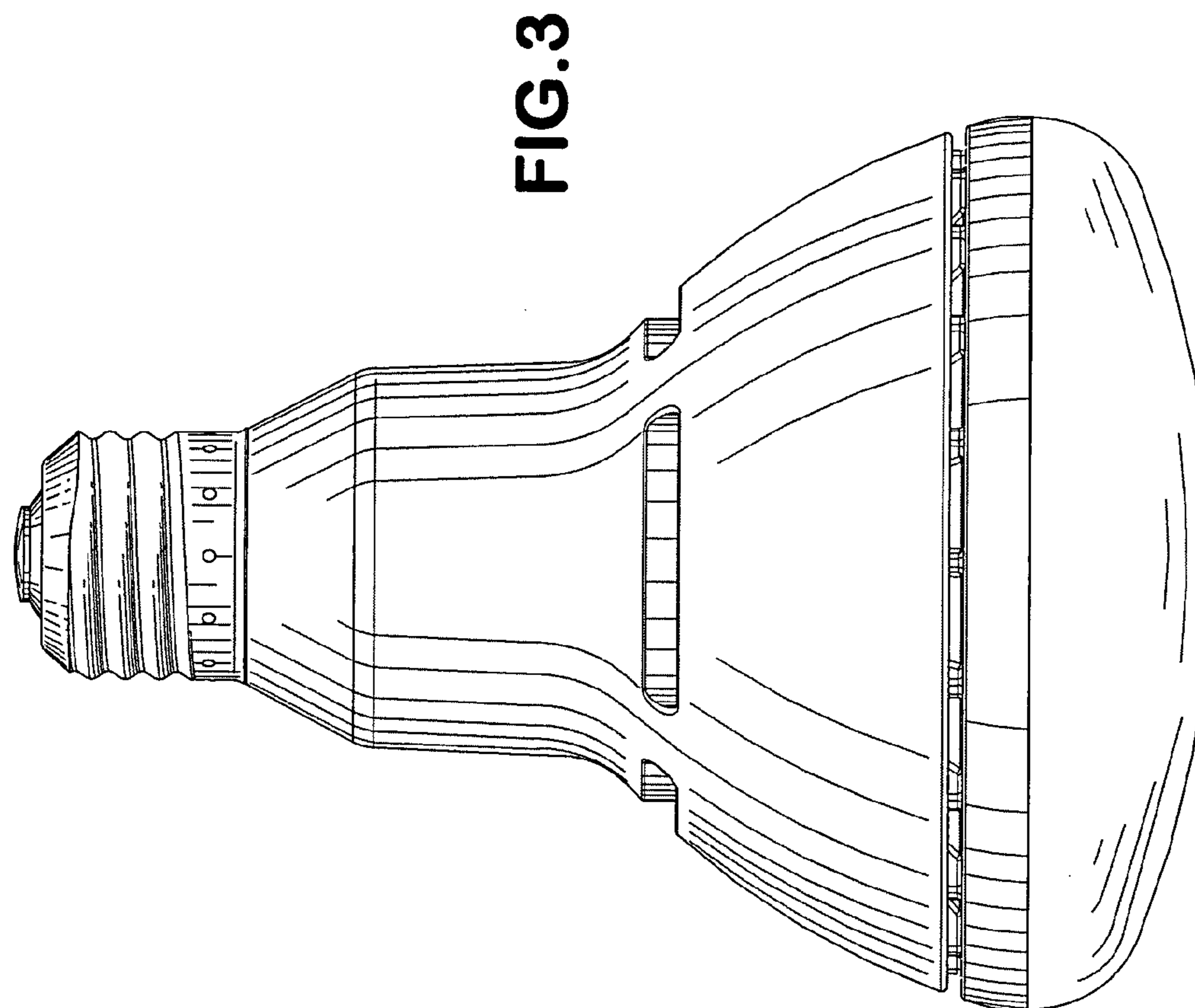
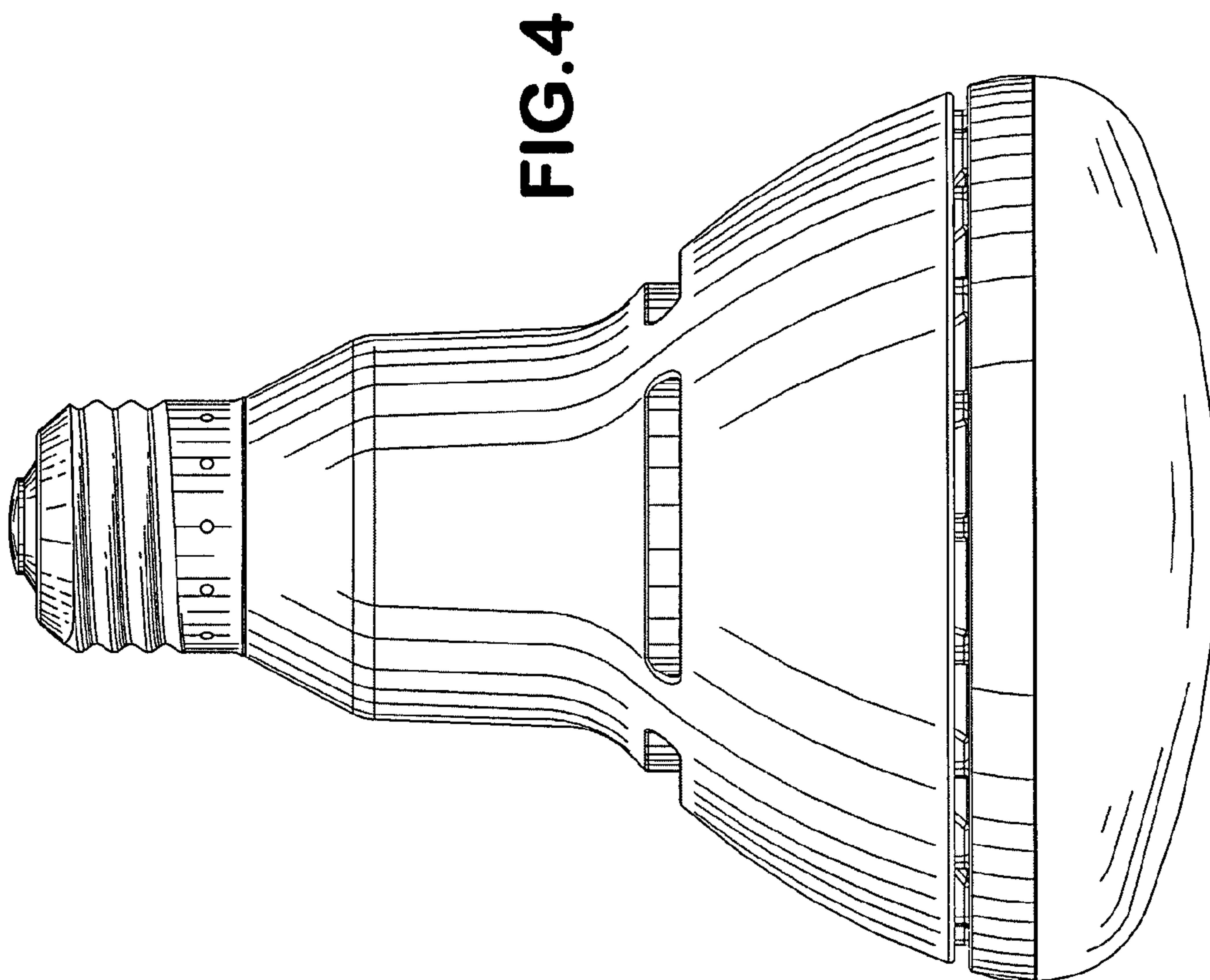


FIG. 1



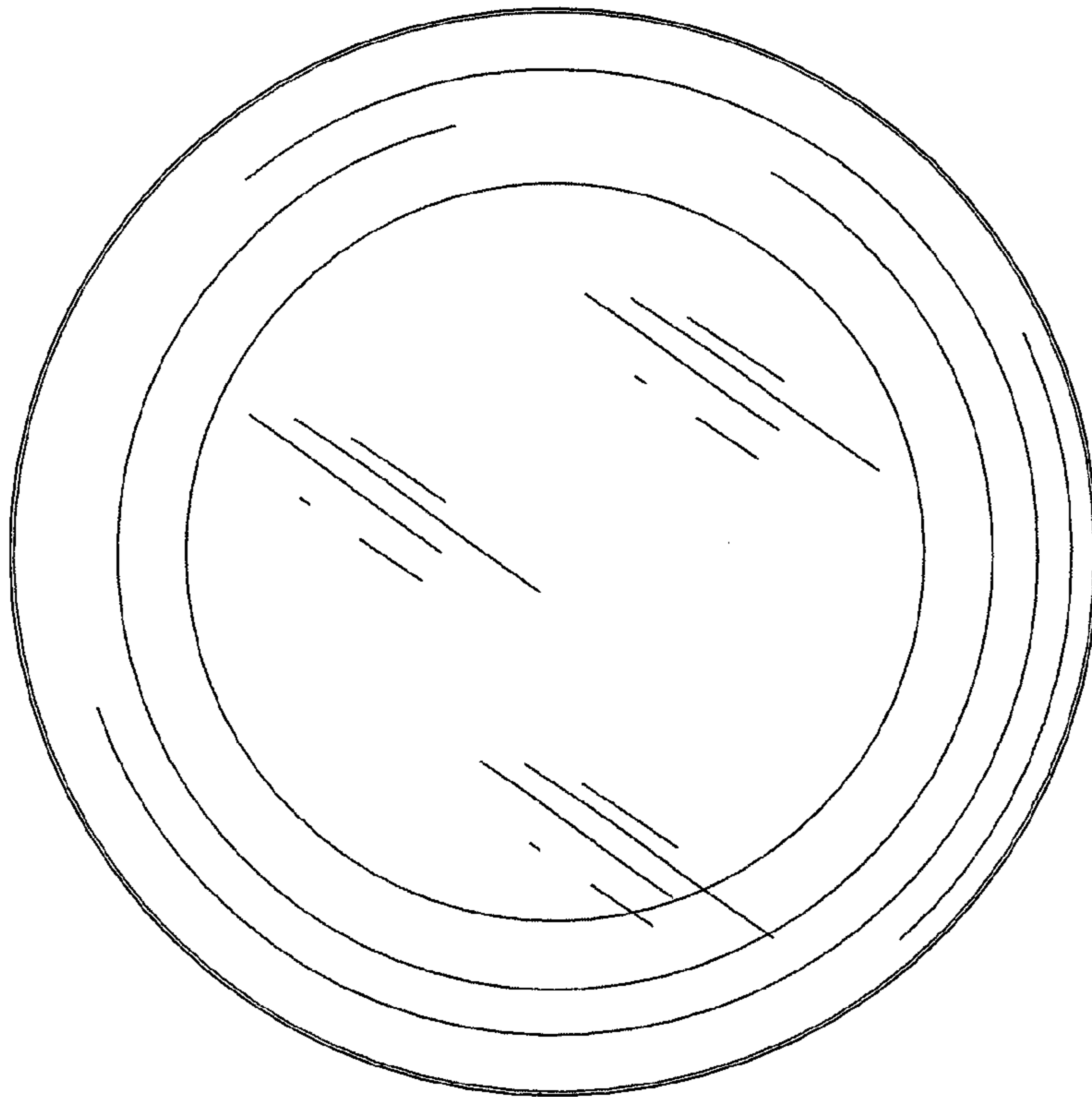


FIG. 6

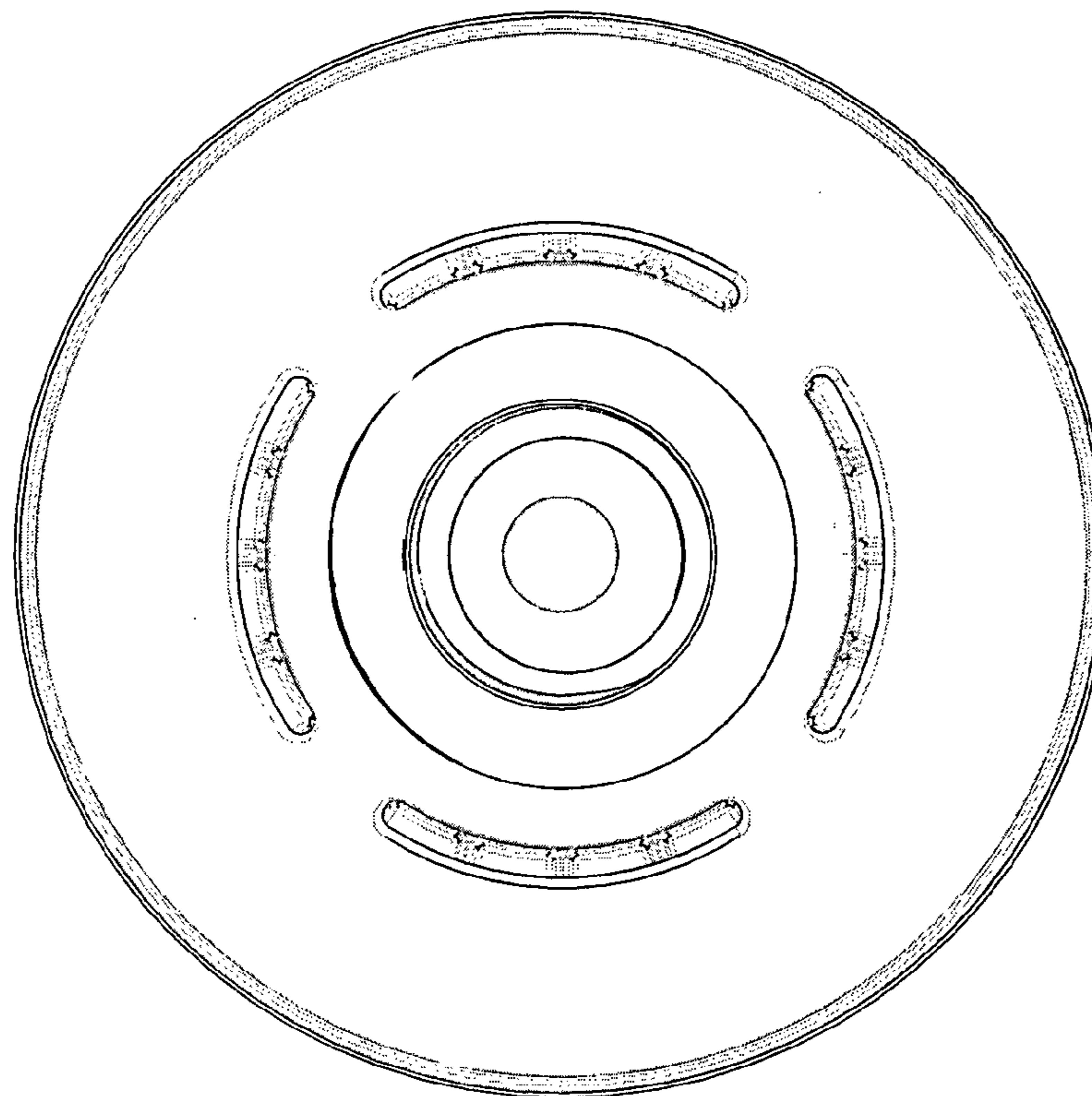


FIG. 5

FIG. 7

