



US00D734879S

(12) **United States Design Patent**
Chen et al.

(10) **Patent No.:** **US D734,879 S**
(45) **Date of Patent:** **** Jul. 21, 2015**

(54) **REFLECTIONAL LAMP**

(71) Applicant: **Zhejiang Shenghui Lighting Co., Ltd.**,
Jiaxing (CN)

(72) Inventors: **Liang Chen**, Jiaxing (CN); **Yudong Liang**, Jiaxing (CN); **Yinxiao Zhu**,
Jiaxing (CN)

(73) Assignee: **Zhejiang Shengui Lighting Co, Ltd.**,
Jiaxing (CN)

(**) Term: **14 Years**

(21) Appl. No.: **29/484,319**

(22) Filed: **Mar. 7, 2014**

(51) **LOC (10) Cl.** **26-04**

(52) **U.S. Cl.**
USPC **D26/2**

(58) **Field of Classification Search**
USPC D26/1-4; 313/313, 315, 316, 317, 318,
313/493; 315/52, 53, 56, 57, 58; 362/294,
362/373, 327
CPC B60Q 1/0064
See application file for complete search history.

(56) **References Cited**

U.S. PATENT DOCUMENTS

D306,765 S * 3/1990 Pavelin D26/2
6,814,470 B2 * 11/2004 Rizkin et al. 362/327
7,319,293 B2 * 1/2008 Maxik 313/636
D613,434 S * 4/2010 Weiss D26/2
8,226,270 B2 * 7/2012 Yamamoto et al. 362/294

D695,927 S * 12/2013 Anderson et al. D26/2
D697,239 S * 1/2014 Rupp et al. D26/2
D697,240 S * 1/2014 Rupp et al. D26/2
D698,050 S * 1/2014 Jiang et al. D26/2
D698,051 S * 1/2014 Jiang et al. D26/2
D698,053 S * 1/2014 Rupp et al. D26/2
D699,868 S * 2/2014 Zolotykh et al. D26/2
D699,869 S * 2/2014 Zolotykh et al. D26/2
D699,870 S * 2/2014 Zolotykh et al. D26/2
D712,074 S * 8/2014 Rupp et al. D26/2
D713,565 S * 9/2014 Yang D26/2
D715,971 S * 10/2014 Jian et al. D26/2
8,905,600 B2 * 12/2014 Sun et al. 362/373
D722,396 S * 2/2015 Yang D26/2
D722,710 S * 2/2015 Cho D26/2
D723,193 S * 2/2015 Taylor et al. D26/2
D723,194 S * 2/2015 Taylor et al. D26/2

* cited by examiner

Primary Examiner — Ian Simmons

Assistant Examiner — Harold Blackwell, II

(74) *Attorney, Agent, or Firm* — Wang Law Firm, Inc.; Li K.
Wang; Stephen Hsu

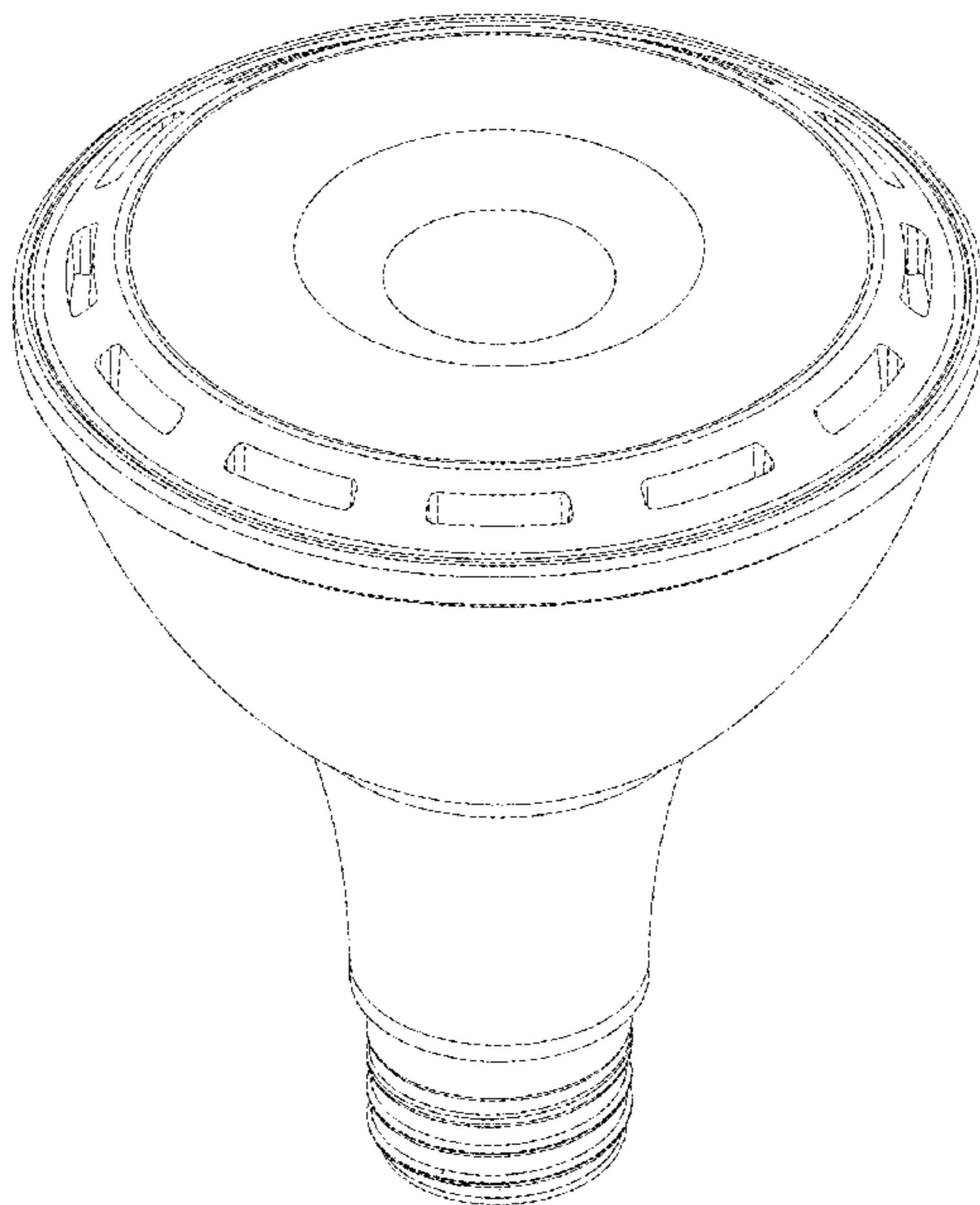
(57) **CLAIM**

The ornamental design for a reflectional lamp, as shown and described.

DESCRIPTION

FIG. 1 is a side view;
FIG. 2 is a bottom view;
FIG. 3 is a top view;
FIG. 4 is a side view on the side opposite FIG. 1;
FIG. 5 is a top perspective view; and,
FIG. 6 is a bottom perspective view.

1 Claim, 6 Drawing Sheets



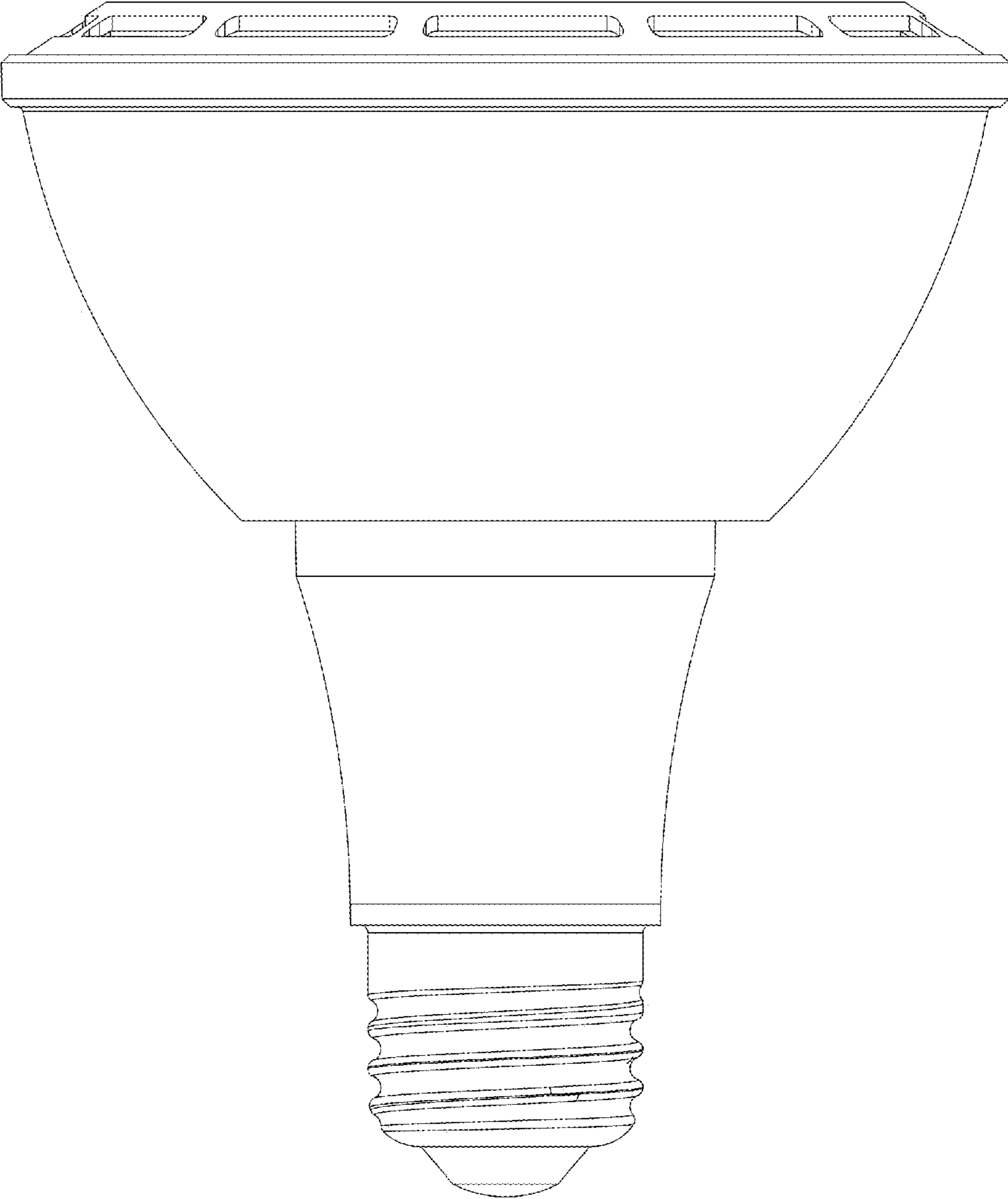


Fig.1



Fig.2

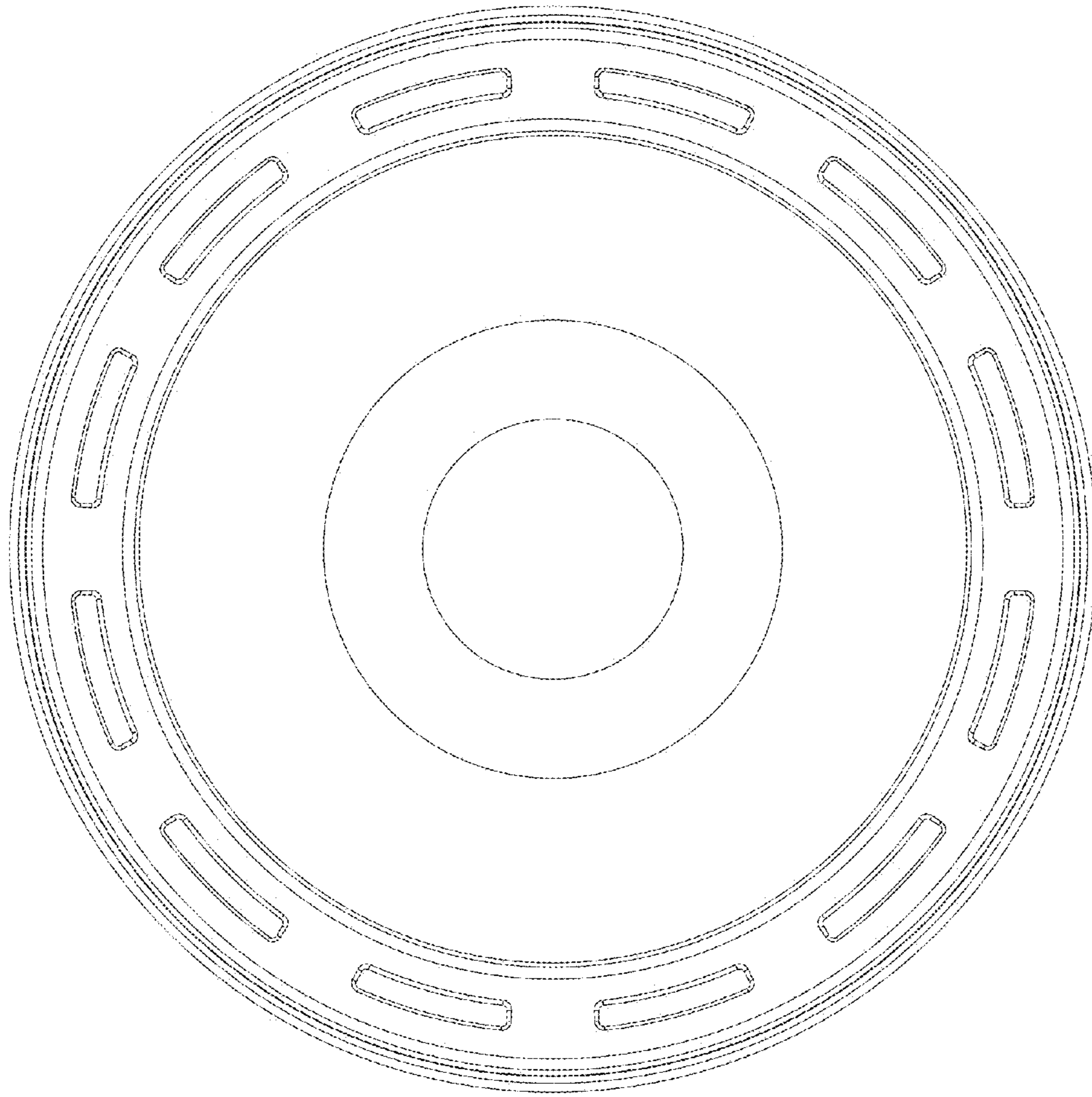


Fig.3

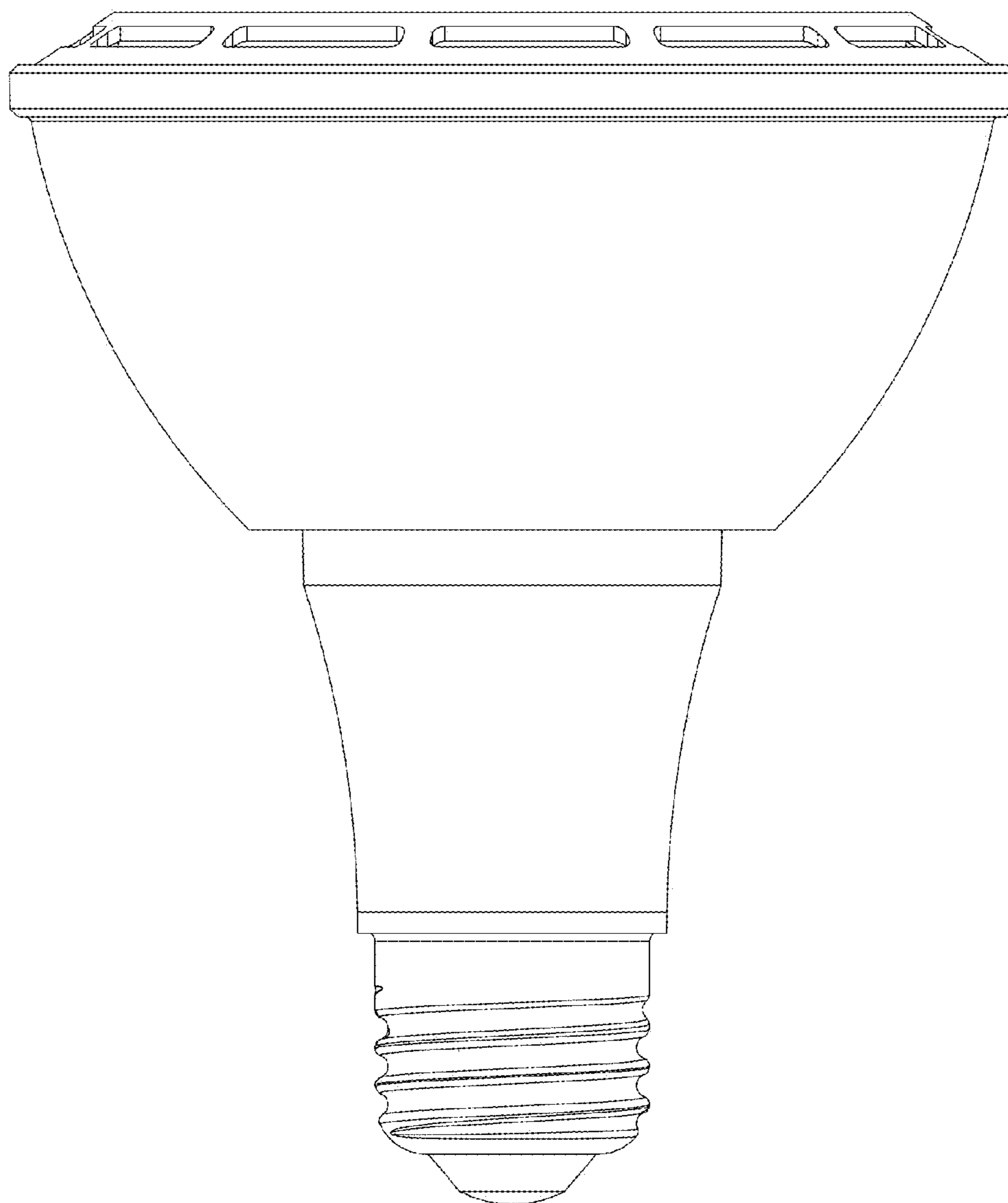


Fig.4

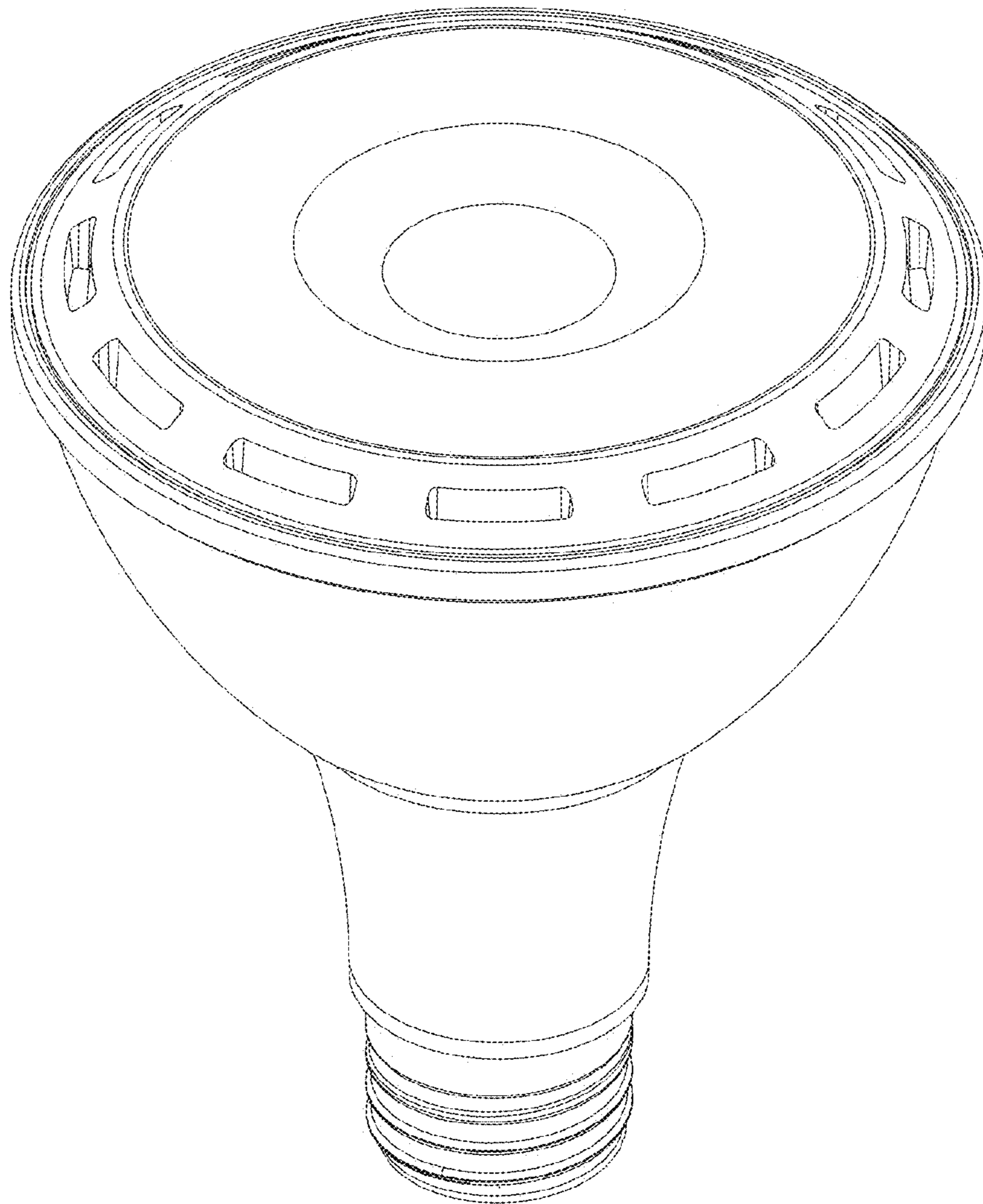


Fig. 5

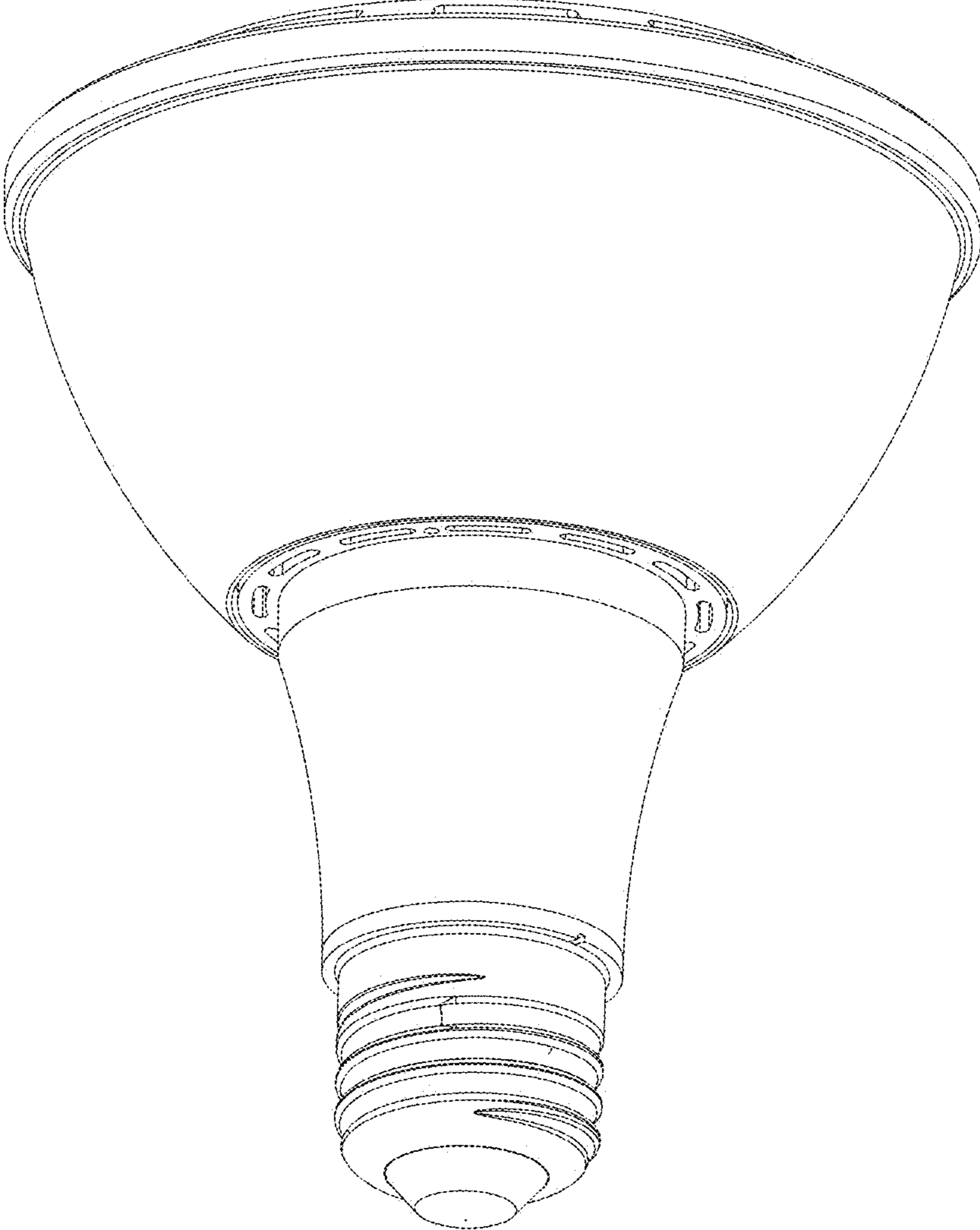


Fig. 6