



US00D734876S

(12) **United States Design Patent**  
**Masuda et al.**

(10) **Patent No.:** **US D734,876 S**  
(45) **Date of Patent:** **\*\* Jul. 21, 2015**

- (54) **COLUMN BASE METAL FITTING**
- (71) Applicant: **Hitachi Metals Techno, Ltd.**, Tokyo (JP)
- (72) Inventors: **Kumiko Masuda**, Tokyo (JP); **Taku Tomita**, Tokyo (JP); **Hideaki Takahashi**, Tokyo (JP)
- (73) Assignee: **HITACHI METALS TECHNO, LTD.**, Tokyo (JP)
- (\*\*) Term: **14 Years**
- (21) Appl. No.: **29/484,436**
- (22) Filed: **Mar. 10, 2014**
- (51) **LOC (10) Cl.** ..... **25-01**
- (52) **U.S. Cl.**  
USPC ..... **D25/133**
- (58) **Field of Classification Search**  
USPC ..... D25/133, 126, 68; 256/63, 64, 65.04, 256/65.14; 52/704, 710, 713, 698, 146, 52/147, 150, 223.12, 297, 731.1, 252, 174, 52/745.05; 248/519, 547, 200.1, 218.4, 248/231.9; 29/428; 211/41.2; 280/504; D8/349, 353, 354, 385, 404, 374, 366, D8/350; D6/572, 550, 699.4, 328; D13/177, 156; D2/946; D21/773; D26/138; D32/25; D34/27  
CPC ..... B01D 15/22; E04B 2001/2644; E04B 2001/2684; E04B 1/24; E02D 5/72; E02D 5/80; E04H 12/2261; E04H 12/2269; E04H 12/2253; E04H 17/20; E04H 9/021; E04H 12/08; E04H 12/2223; E04C 3/32  
See application file for complete search history.

D194,373	S	*	1/1963	Long	.....	D8/354
3,853,291	A	*	12/1974	Burke	.....	248/158
4,048,776	A	*	9/1977	Sato	.....	52/297
4,070,837	A	*	1/1978	Sato	.....	52/297
4,574,551	A	*	3/1986	Giannuzzi	.....	52/512
5,290,028	A	*	3/1994	Bartoli	.....	473/499
6,336,620	B1	*	1/2002	Belli	.....	248/519
D470,038	S	*	2/2003	Lapp et al.	.....	D8/374
D533,547	S	*	12/2006	Sergi	.....	D14/238
D547,463	S	*	7/2007	Gross et al.	.....	D25/133
D571,486	S	*	6/2008	Miller et al.	.....	D25/133
8,757,598	B1	*	6/2014	Jones	.....	256/65.14
2004/0211876	A1	*	10/2004	Cote	.....	248/519
2011/0303665	A1	*	12/2011	Wilson	.....	220/89.1

**FOREIGN PATENT DOCUMENTS**

JP	09059996	A	*	3/1997	.....	E02D 27/00
JP	2009293210	A	*	12/2009		
JP	2010248725	A	*	11/2010		
JP	2011012402	A	*	1/2011		
JP	2012007381	A	*	1/2012		

\* cited by examiner

*Primary Examiner* — Philip S Hyder

*Assistant Examiner* — Keith Frank

(74) *Attorney, Agent, or Firm* — Bacon & Thomas, PLLC

(57) **CLAIM**

The ornamental design for a column base metal fitting, as shown and described.

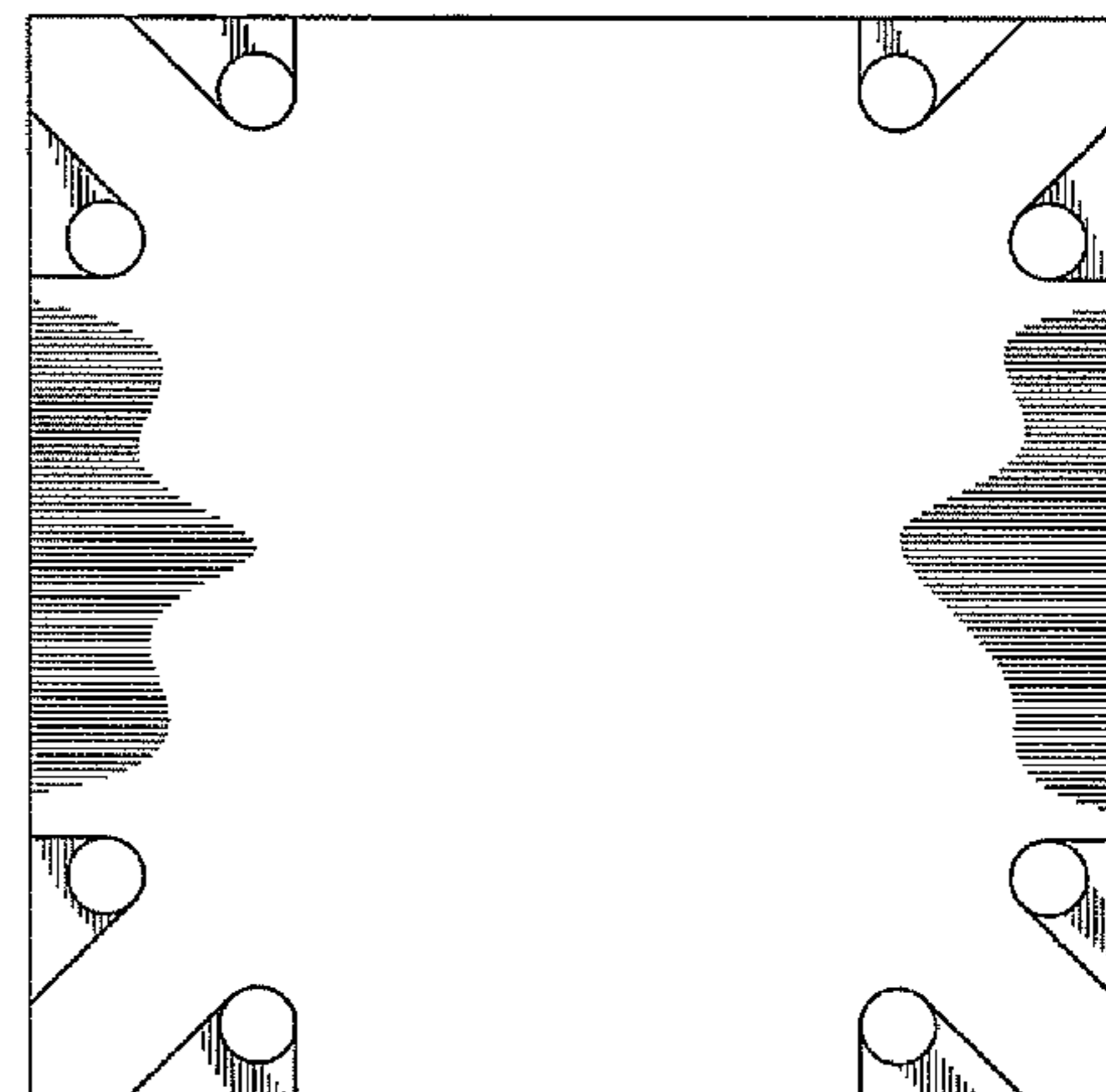
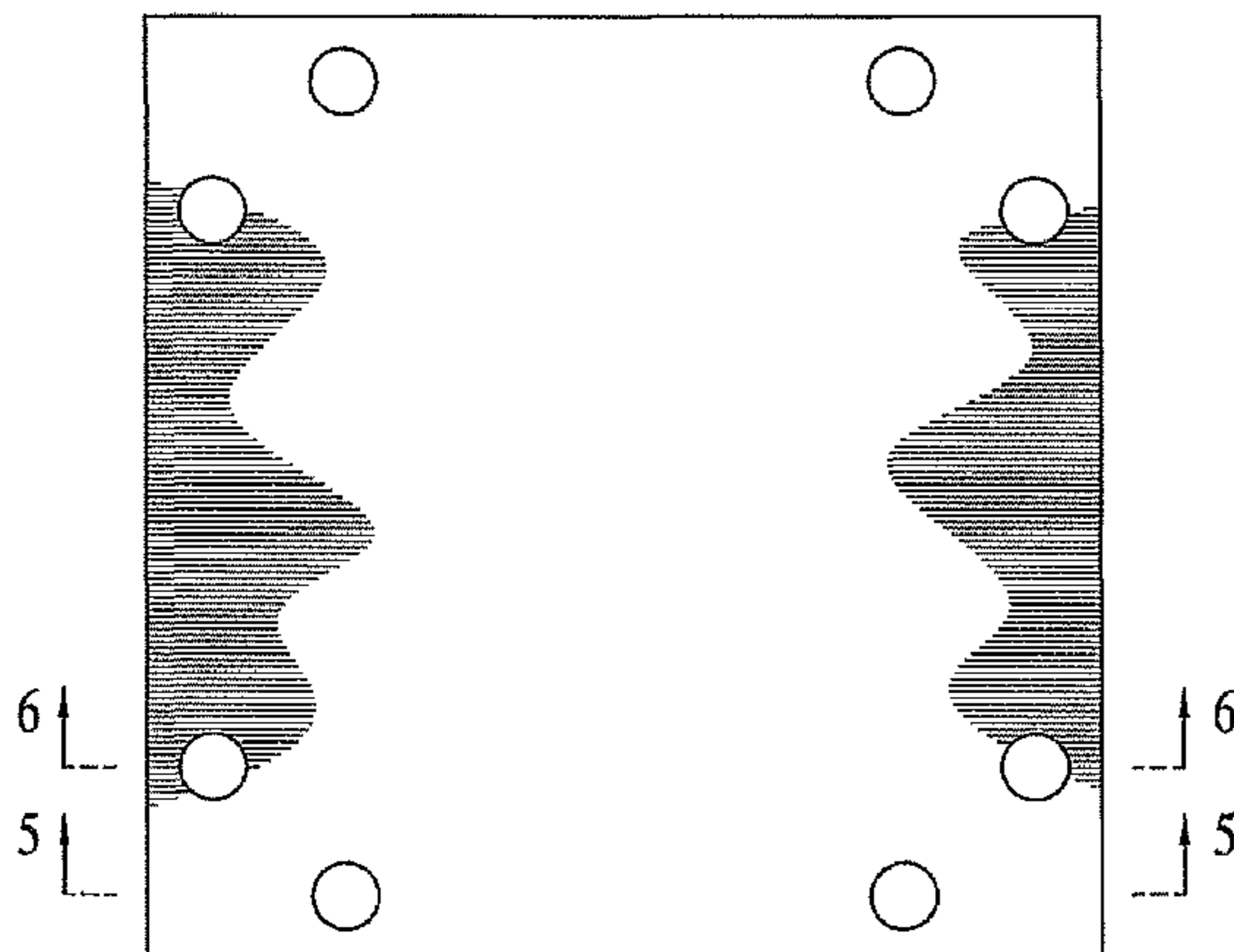
**DESCRIPTION**

FIG. 1 is a top plan view of a column base metal fitting showing our new design;  
 FIG. 2 is a bottom plan view thereof;  
 FIG. 3 is a front elevational view thereof;  
 FIG. 4 is a right side elevational view thereof;  
 FIG. 5 is a cross sectional view taken along line 5-5 of FIG. 1; and,  
 FIG. 6 is a cross sectional view taken along line 6-6 of FIG. 1.

**1 Claim, 3 Drawing Sheets**

(56) **References Cited**  
 U.S. PATENT DOCUMENTS

697,310	A	*	4/1902	Belli	.....	52/292
1,684,894	A	*	9/1928	Smiley, Jr.	.....	52/223.5



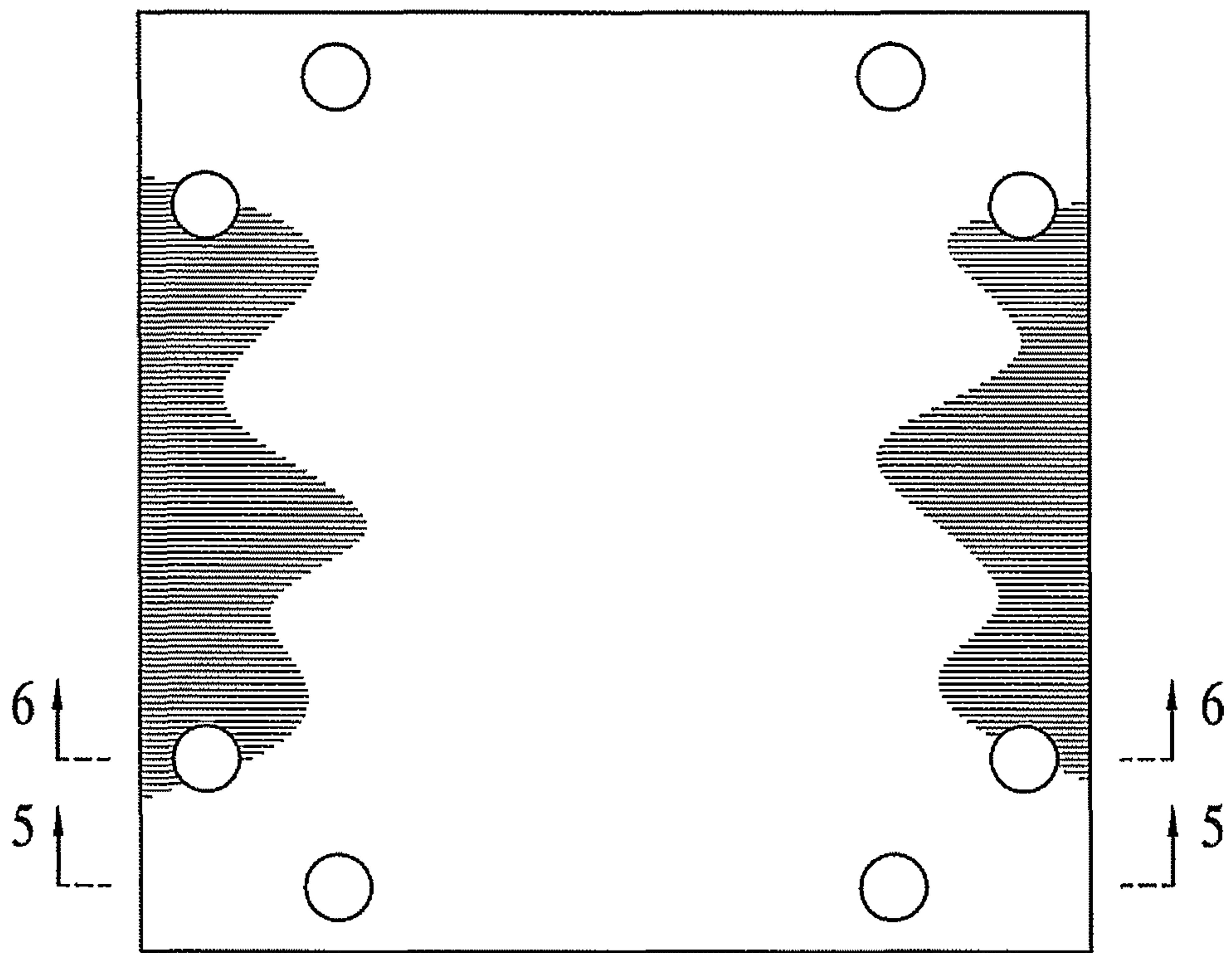


FIG. 1

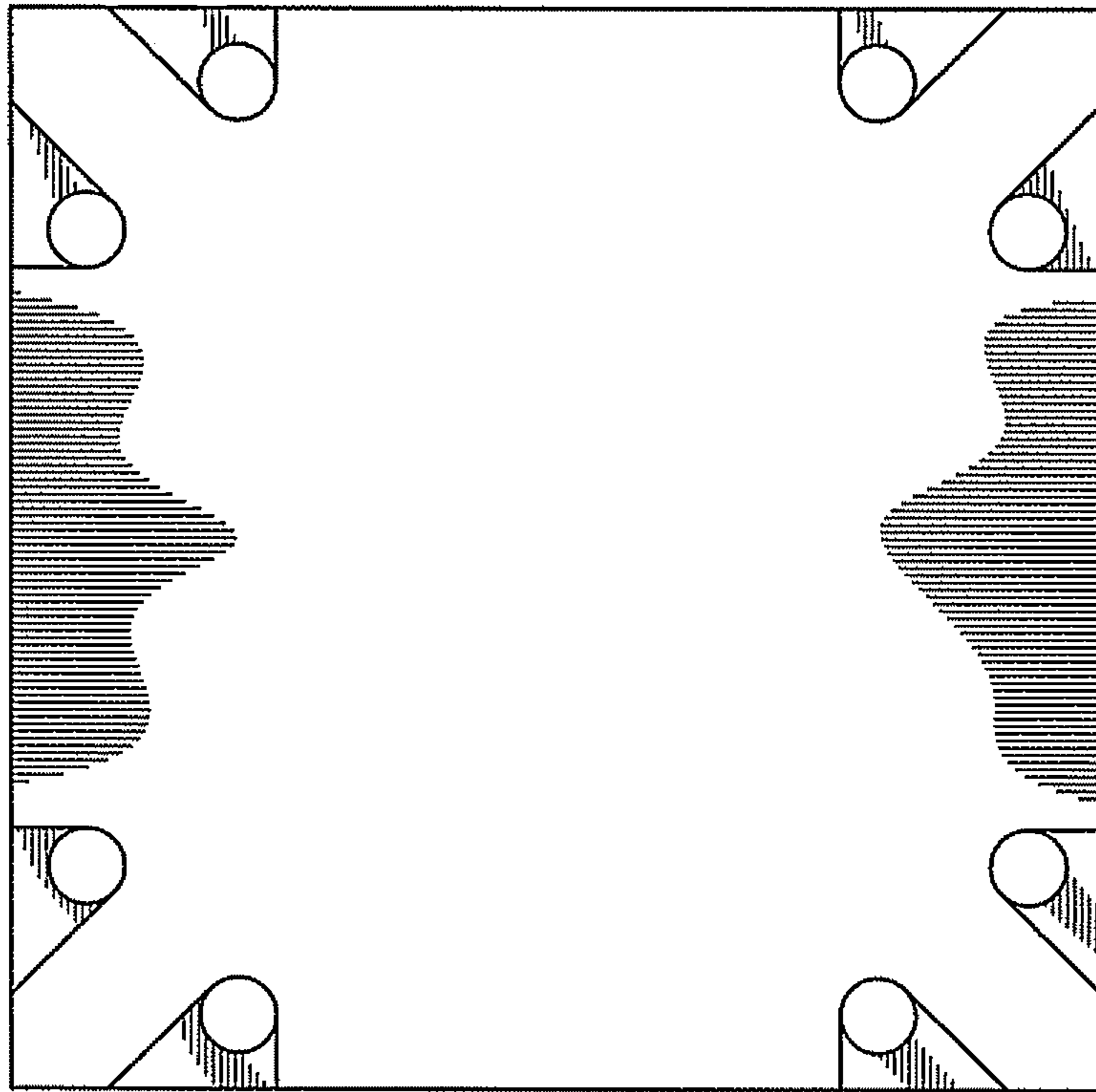


FIG. 2



FIG. 3



FIG. 4



FIG. 5

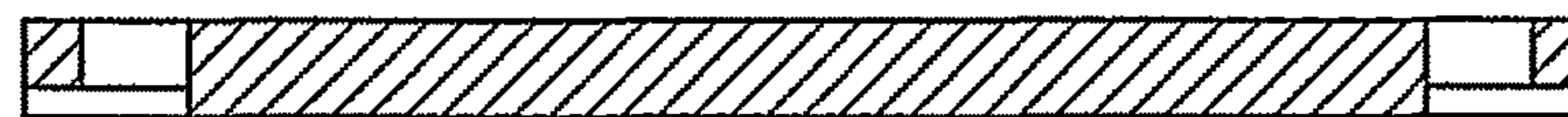


FIG. 6