



US00D734872S

(12) **United States Design Patent**
Gosling

(10) **Patent No.:** **US D734,872 S**
(45) **Date of Patent:** **** Jul. 21, 2015**

- (54) **ADJOINING INTERFACE MEMBERS FORMING A RECEIVING CHANNEL**
- (71) Applicant: **DIRTT ENVIRONMENTAL SOLUTIONS, LTD.**, Calgary (CA)
- (72) Inventor: **Geoff Gosling**, Calgary (CA)
- (73) Assignee: **DIRTT Environmental Solutions, Ltd.**, Calgary (CA)
- (**) Term: **14 Years**
- (21) Appl. No.: **29/482,695**
- (22) Filed: **Feb. 20, 2014**
- (51) **LOC (10) Cl.** **25-01**
- (52) **U.S. Cl.**
USPC **D25/119**
- (58) **Field of Classification Search**
USPC D25/60, 61, 119, 122, 126, 134, 199,
D25/271, 578, 281; 52/127.1-127.6, 456,
52/591.1; 403/205, 207, 214
CPC E04C 3/00; E04C 3/02; E04C 5/00;
E04B 1/40; E04B 1/54
See application file for complete search history.

| | | | | |
|----------------|--------|-------------|-------|-----------|
| D459,975 S * | 7/2002 | Dinh et al. | | D8/354 |
| 6,428,244 B1 * | 8/2002 | Wall | | 405/279 |
| 6,532,625 B1 * | 3/2003 | Stone | | 16/87.4 R |
| D479,798 S * | 9/2003 | Wall | | D8/382 |
| D479,983 S * | 9/2003 | Wall | | D8/382 |
| D655,021 S * | 2/2012 | Oetlinger | | D25/119 |
| D706,125 S * | 6/2014 | Wendt | | D8/395 |

* cited by examiner

Primary Examiner — Prabhakar Deshmukh
(74) *Attorney, Agent, or Firm* — Workman Nydegger

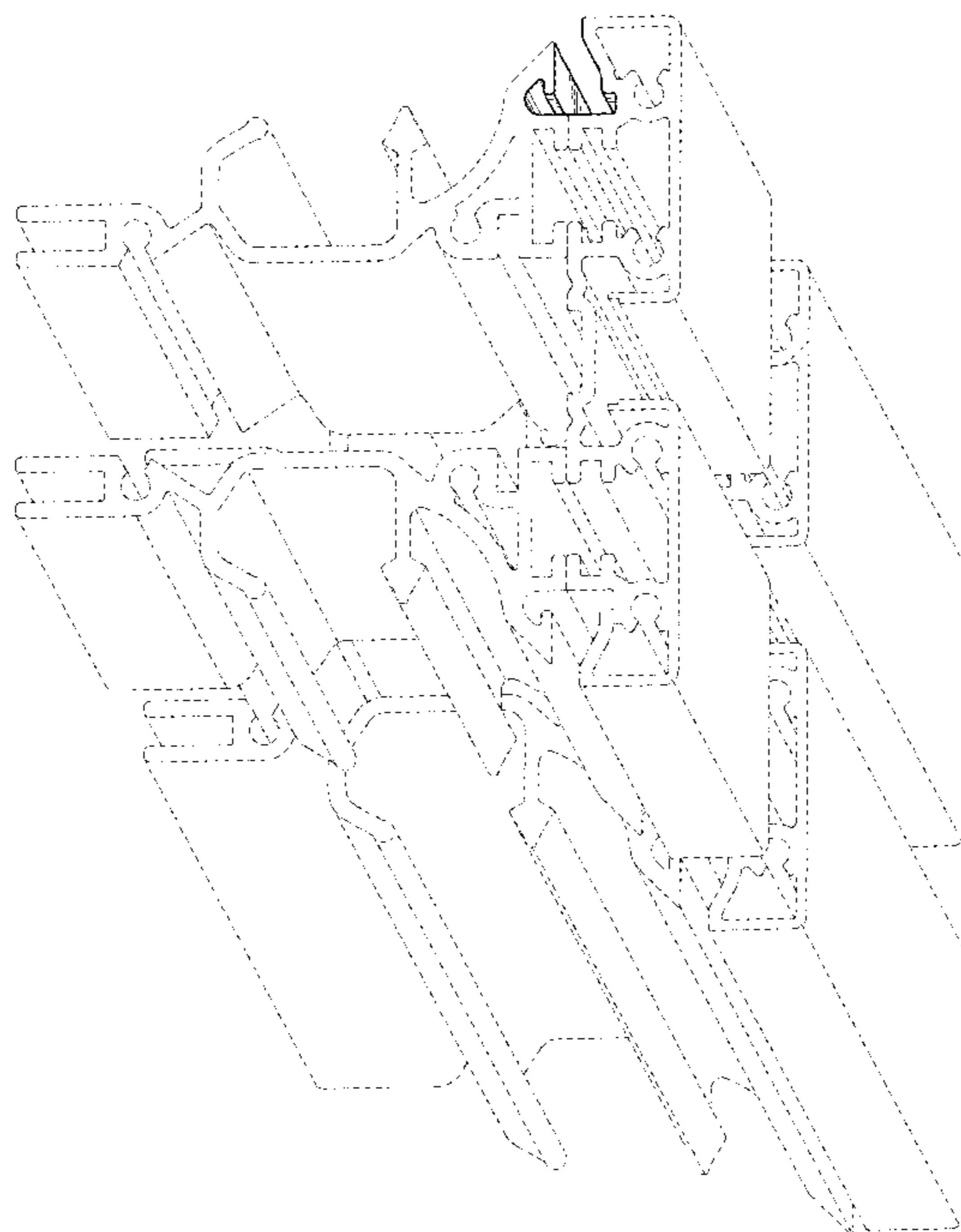
(57) **CLAIM**
The ornamental design for adjoining interface members forming a receiving channel, as shown and described.

DESCRIPTION

FIG. 1 is a perspective view of adjoining interface members forming a receiving channel showing my new design; FIG. 2 is a left elevational view thereof; FIG. 3 is a right elevational view thereof; FIG. 4 is a front elevational view thereof; FIG. 5 is a rear elevational view thereof; FIG. 6 is a top plan view thereof; FIG. 7 is a bottom plan view thereof; FIG. 8 is an exploded perspective view thereof, shown in the environmental use; and, FIG. 9 is another perspective view thereof, shown in the environmental use. The broken lines environment is for illustrative purpose only and forms no part of the claimed design.

1 Claim, 6 Drawing Sheets

- (56) **References Cited**
U.S. PATENT DOCUMENTS
3,066,773 A * 12/1962 Raidel 52/282.3
3,688,508 A * 9/1972 Taylor 405/278
4,488,324 A * 12/1984 Hartkorn 14/73.1
4,968,171 A * 11/1990 Shell 403/4
6,282,762 B1 * 9/2001 Wall 24/573.09



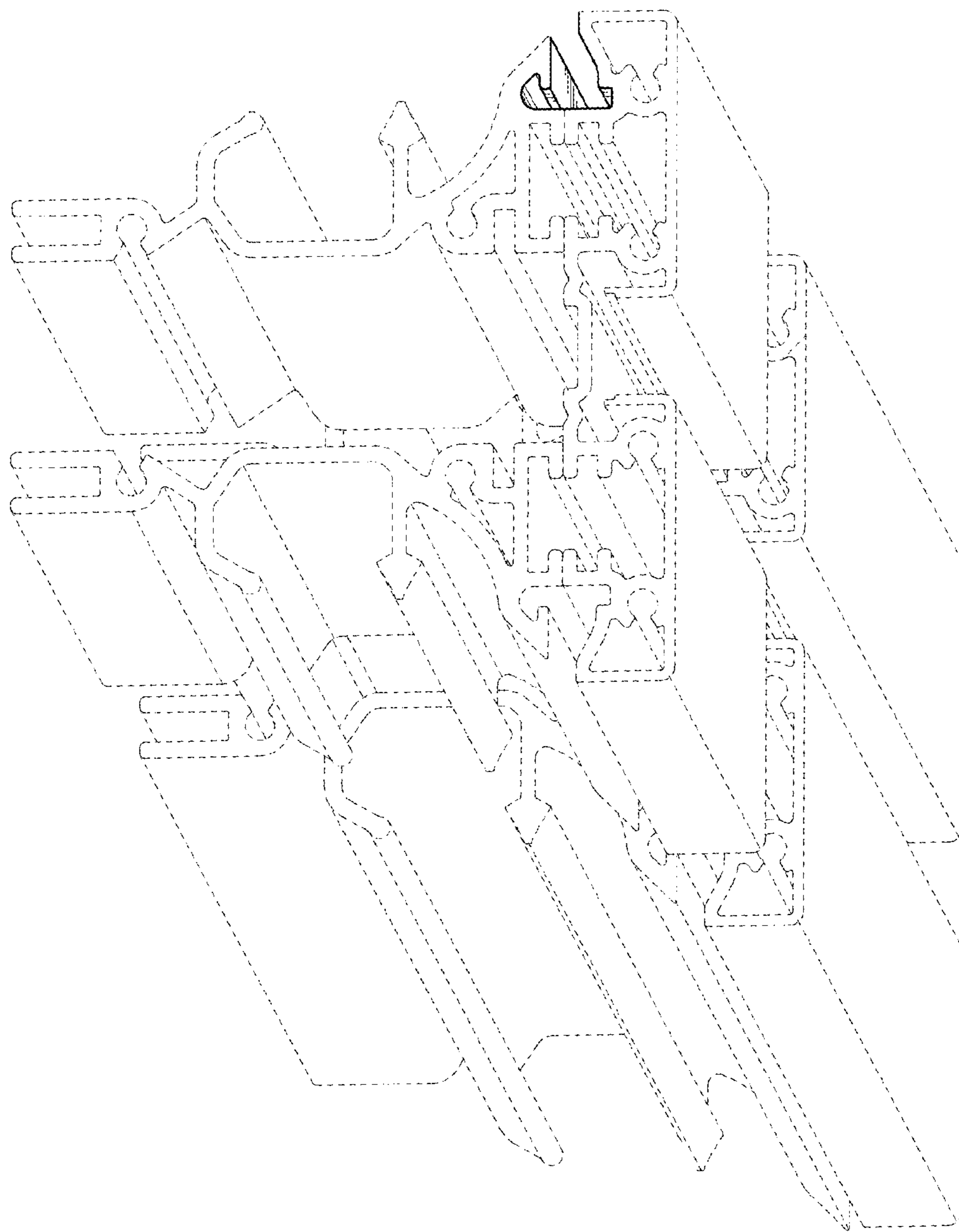


FIG. 1

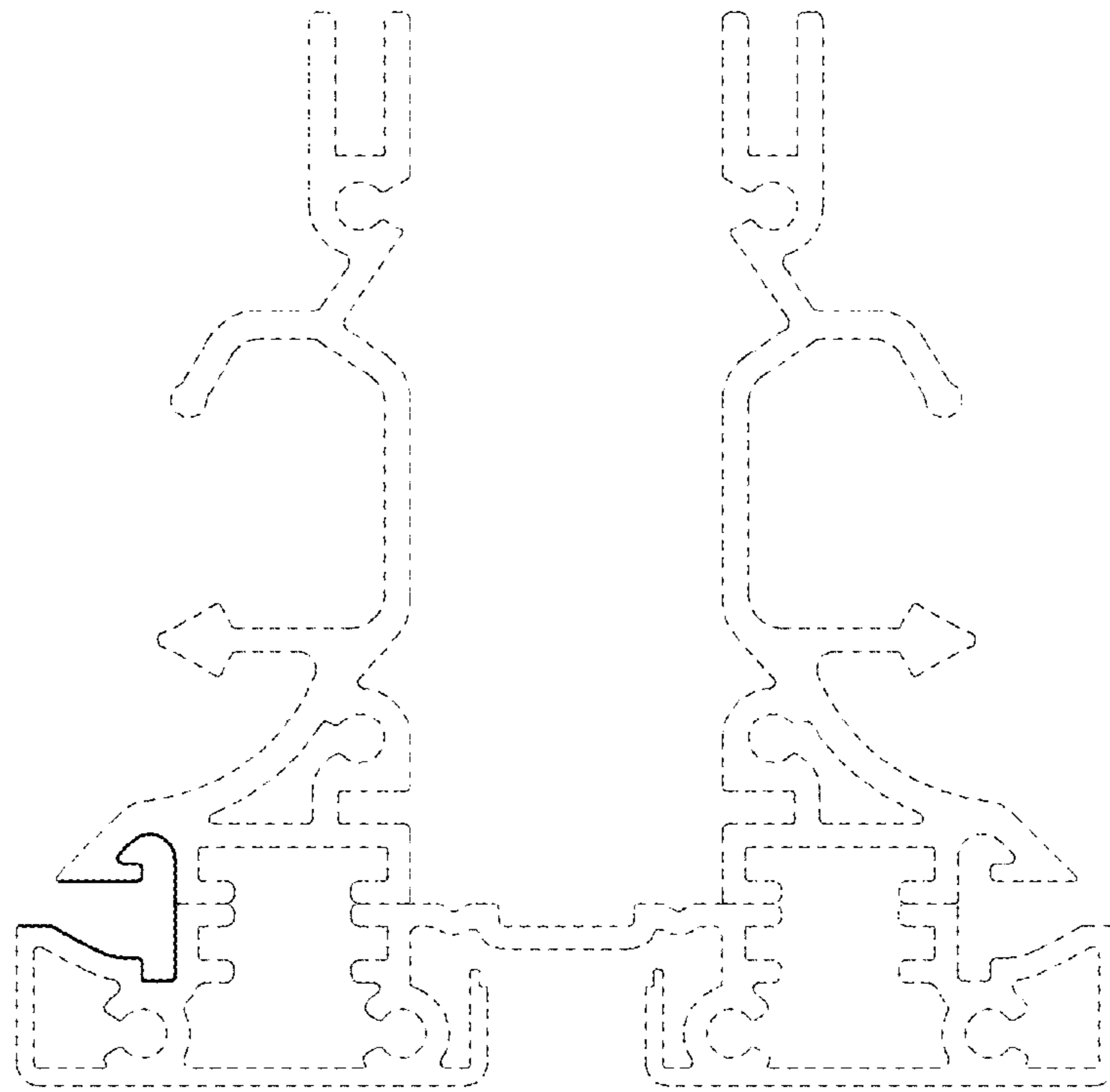


FIG. 3

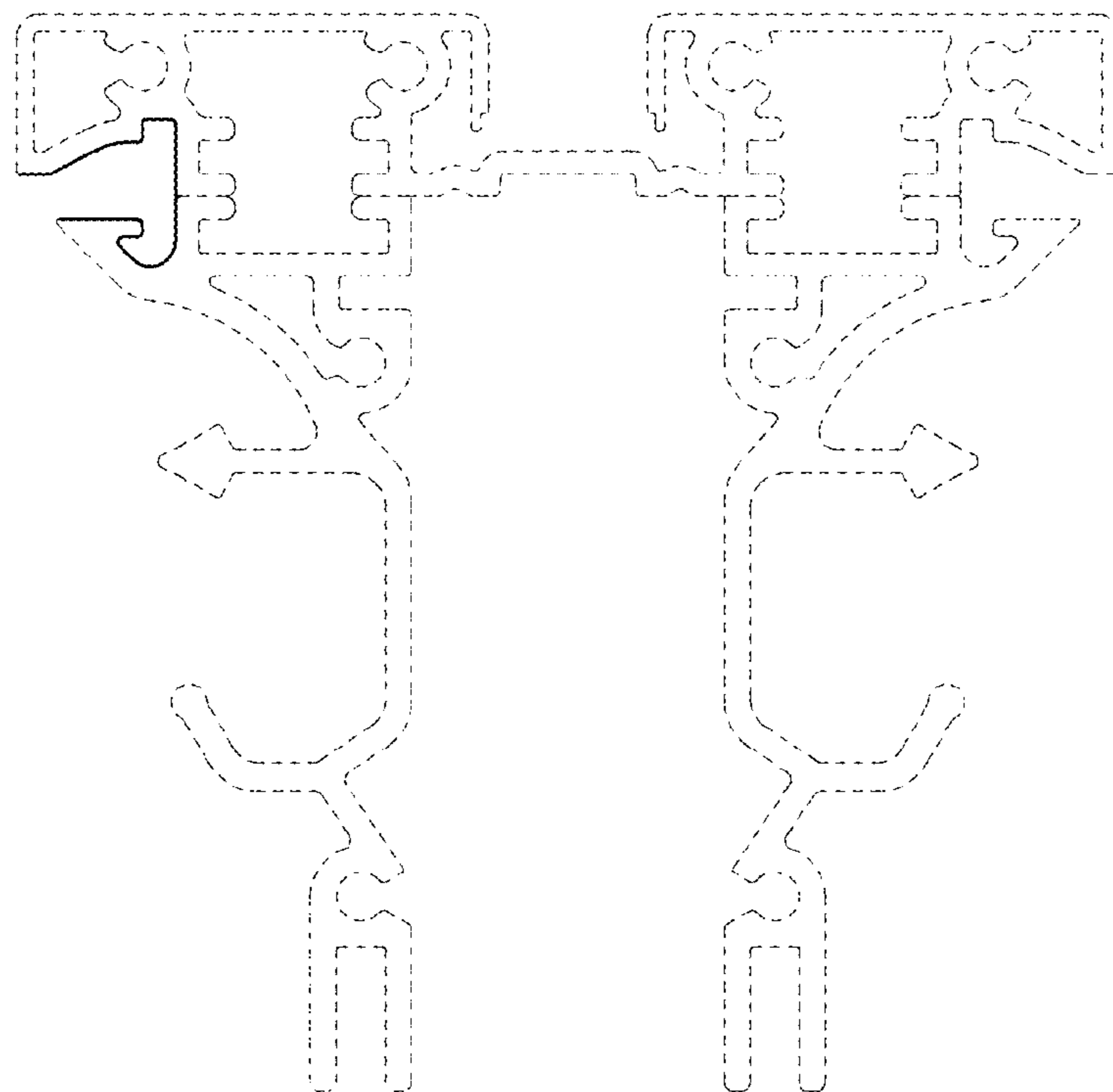


FIG. 2

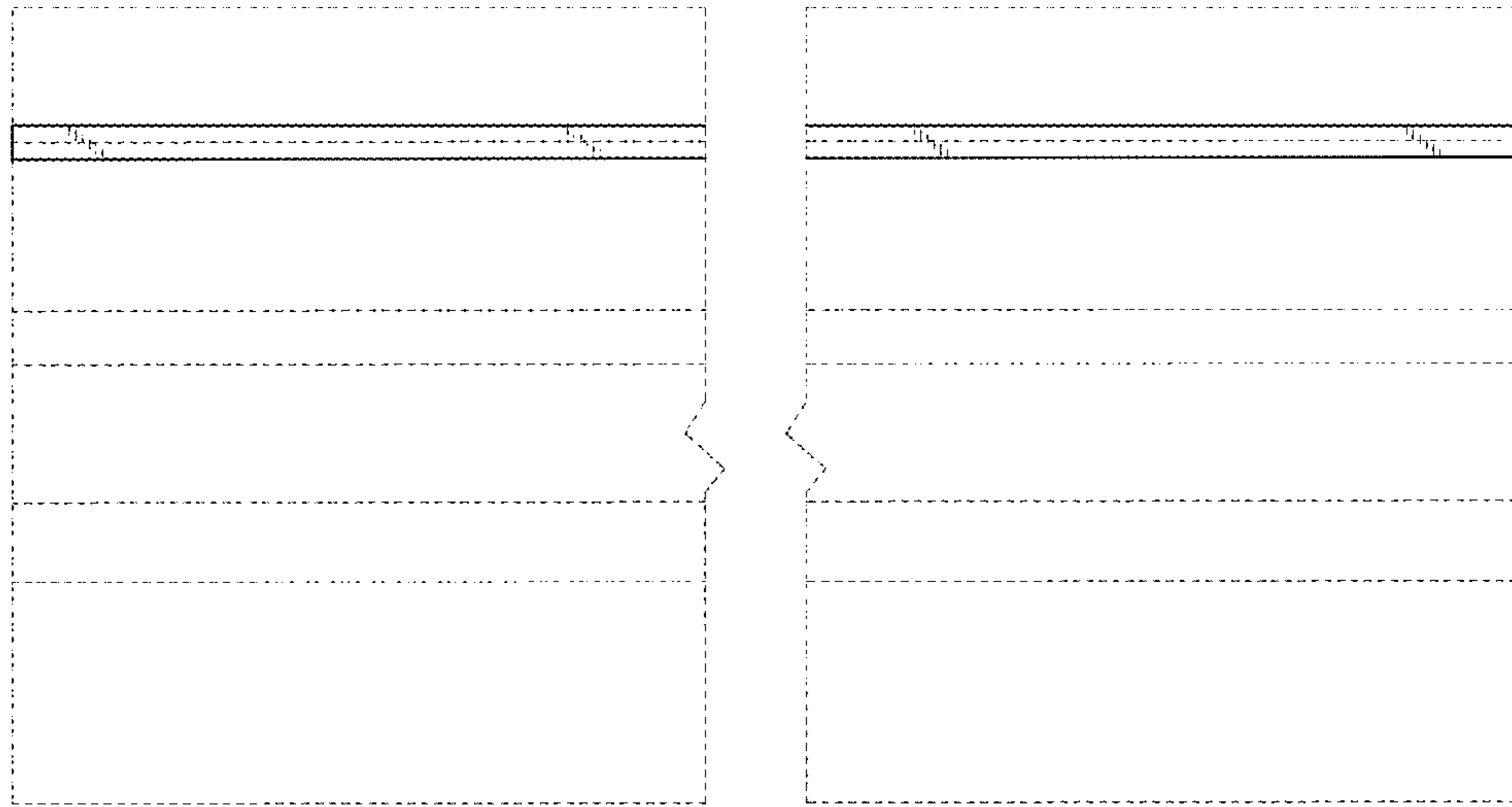


FIG. 4

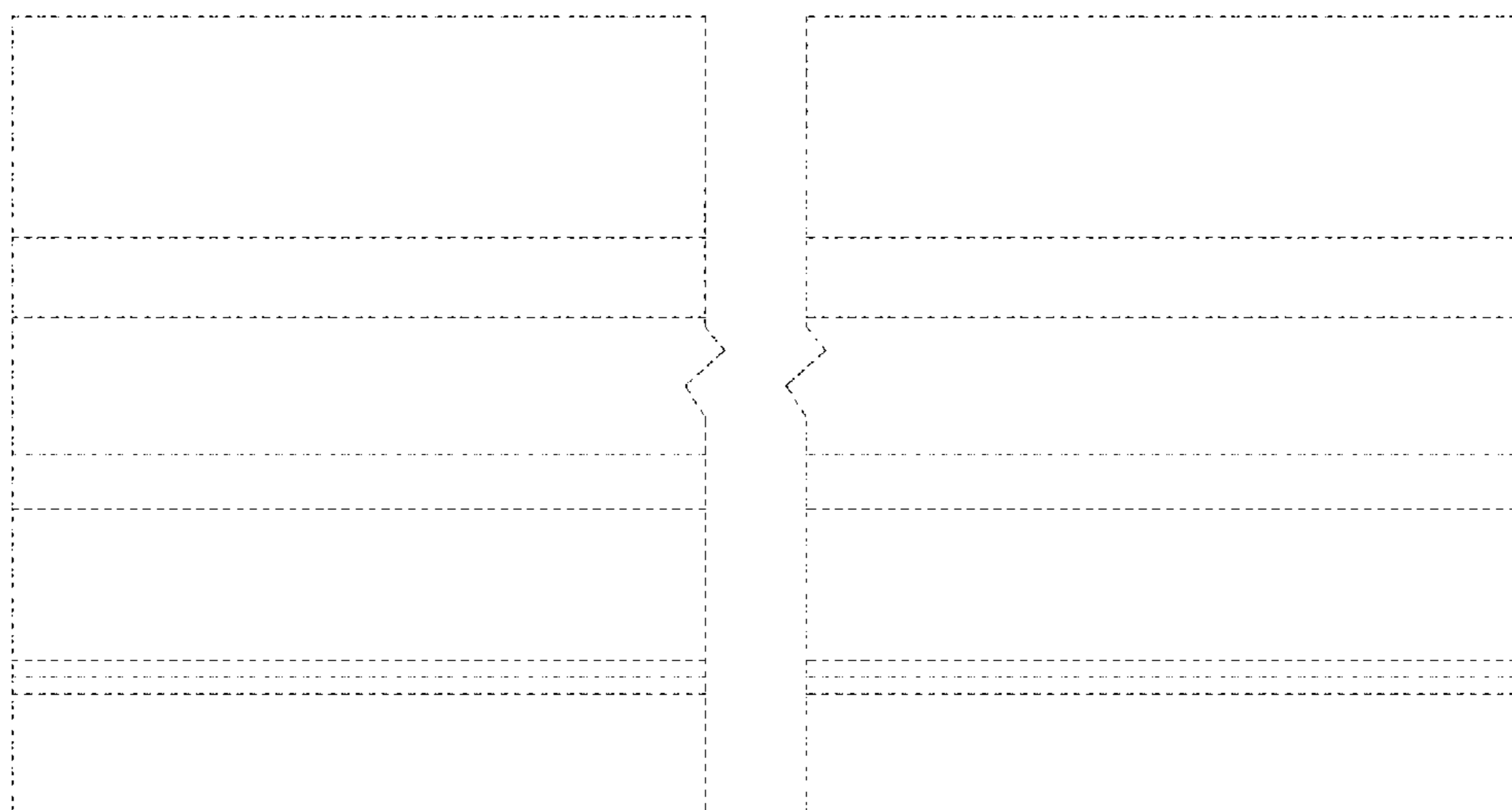


FIG. 5

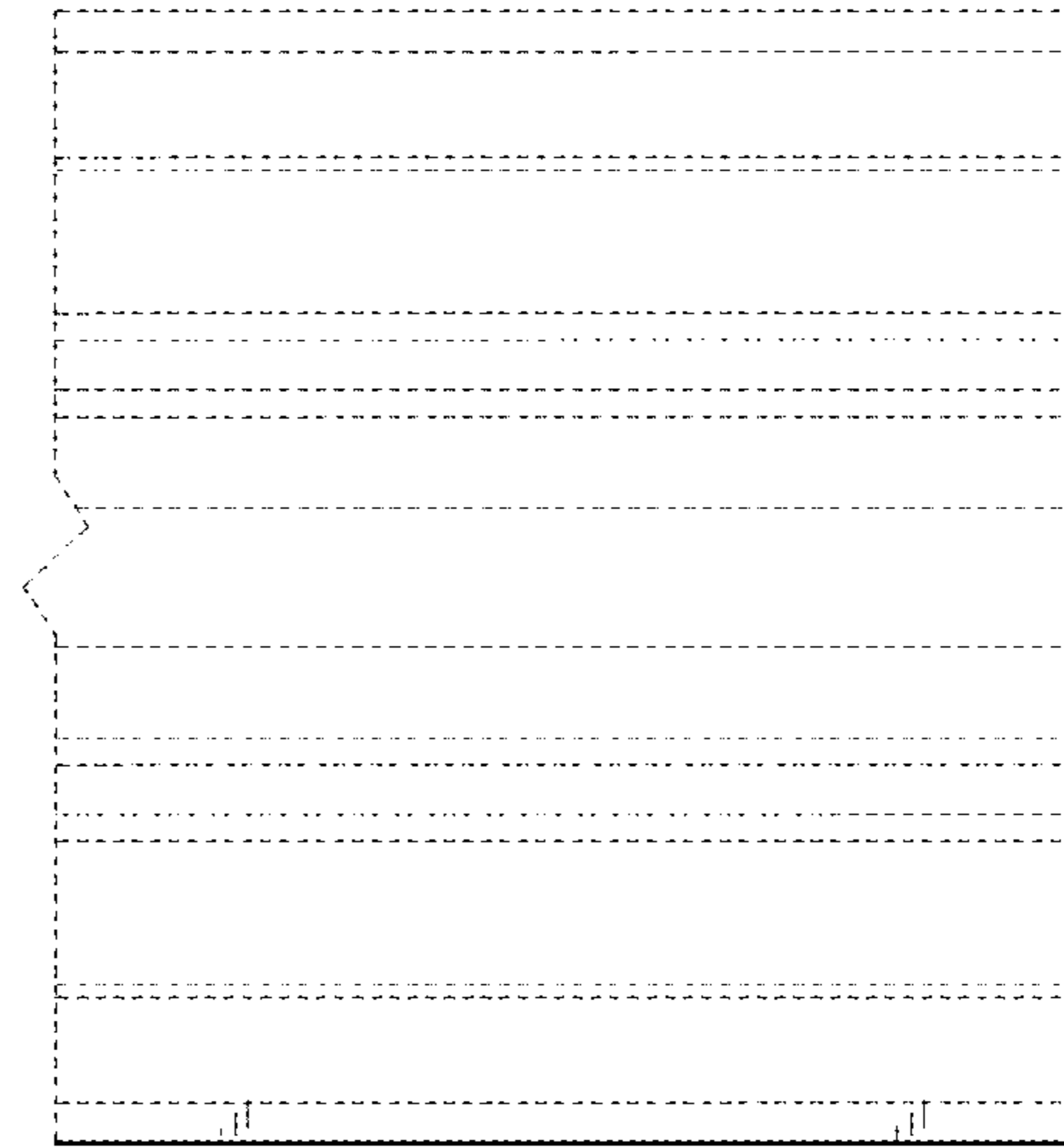
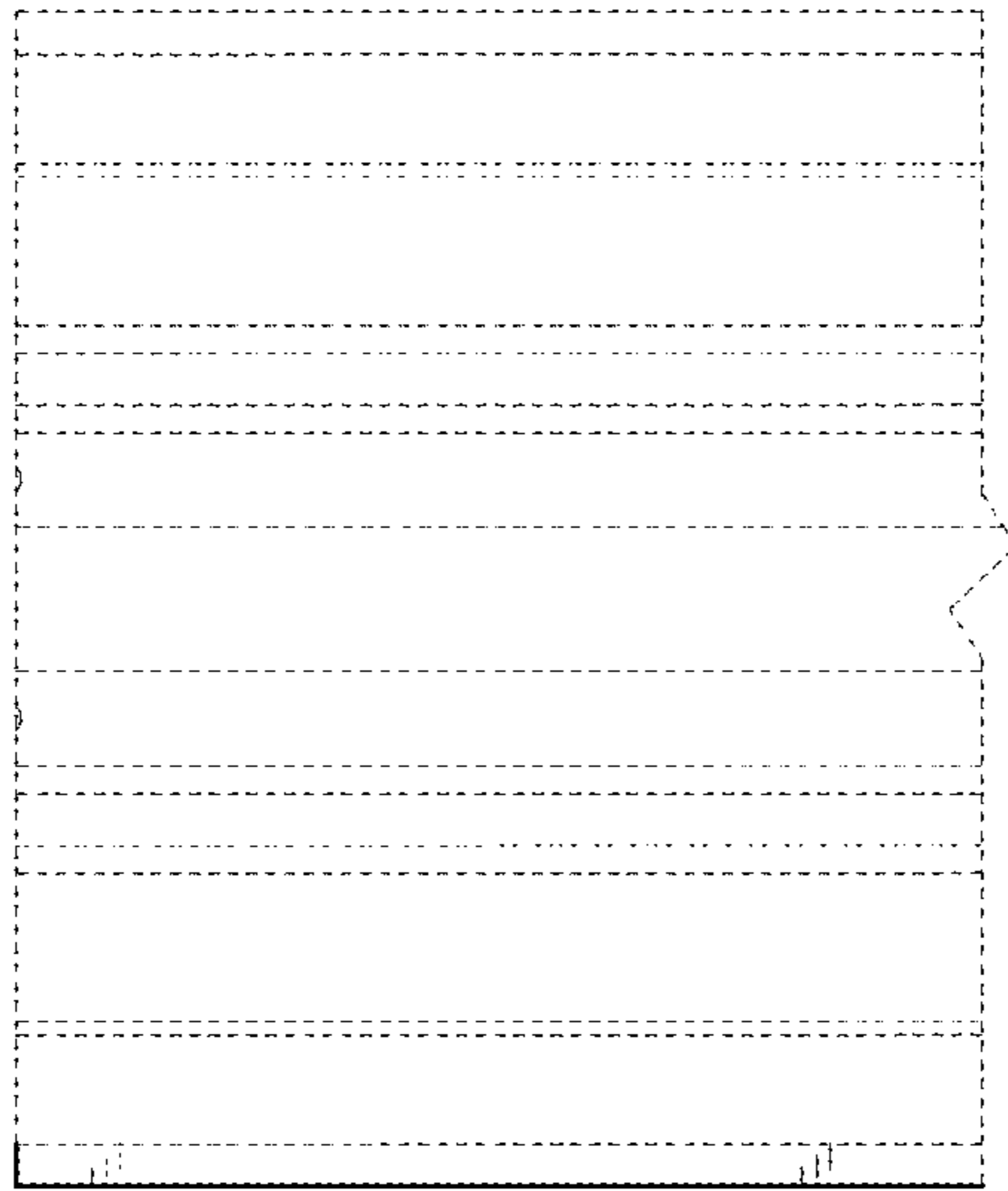


FIG. 7

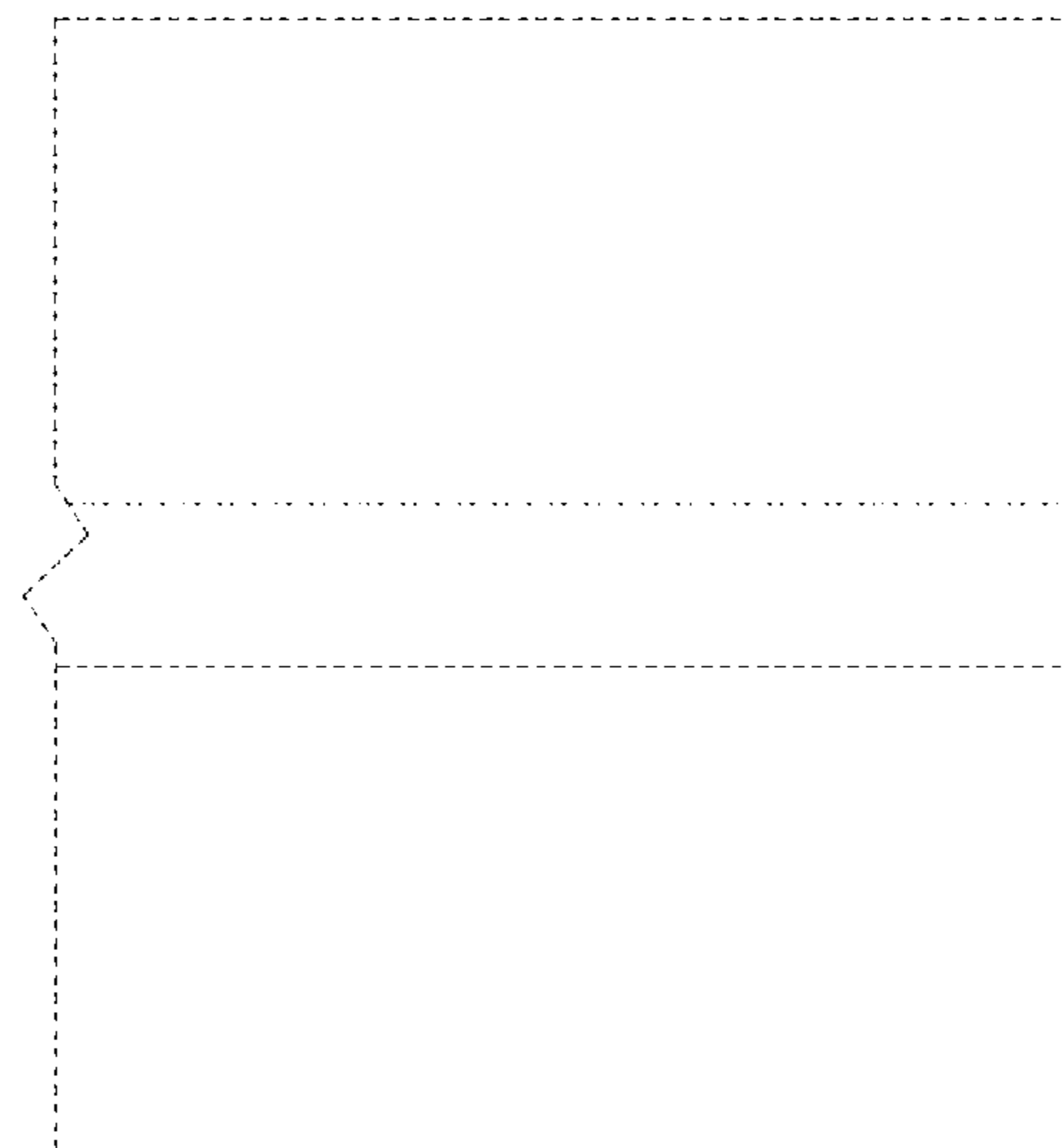
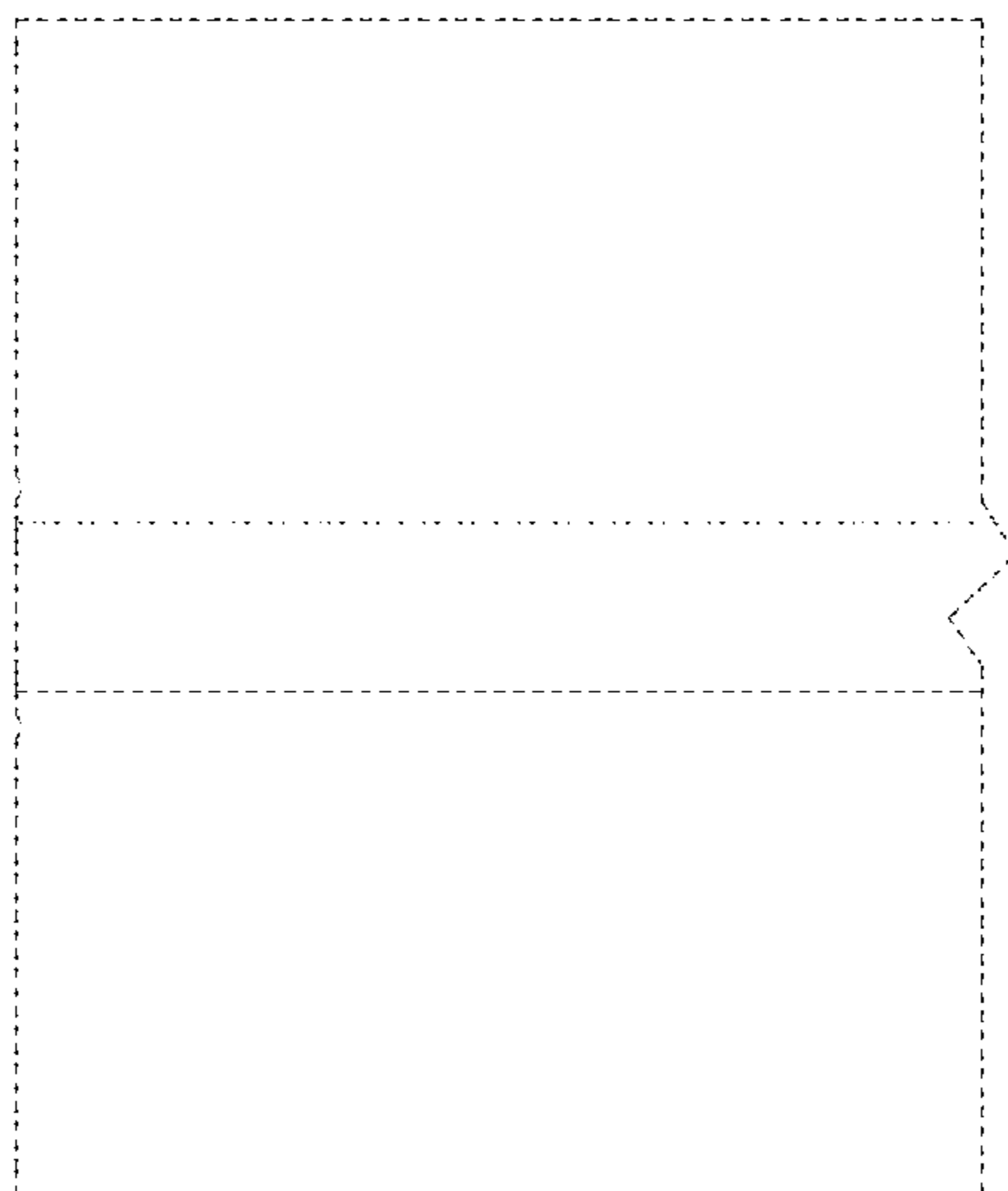


FIG. 6

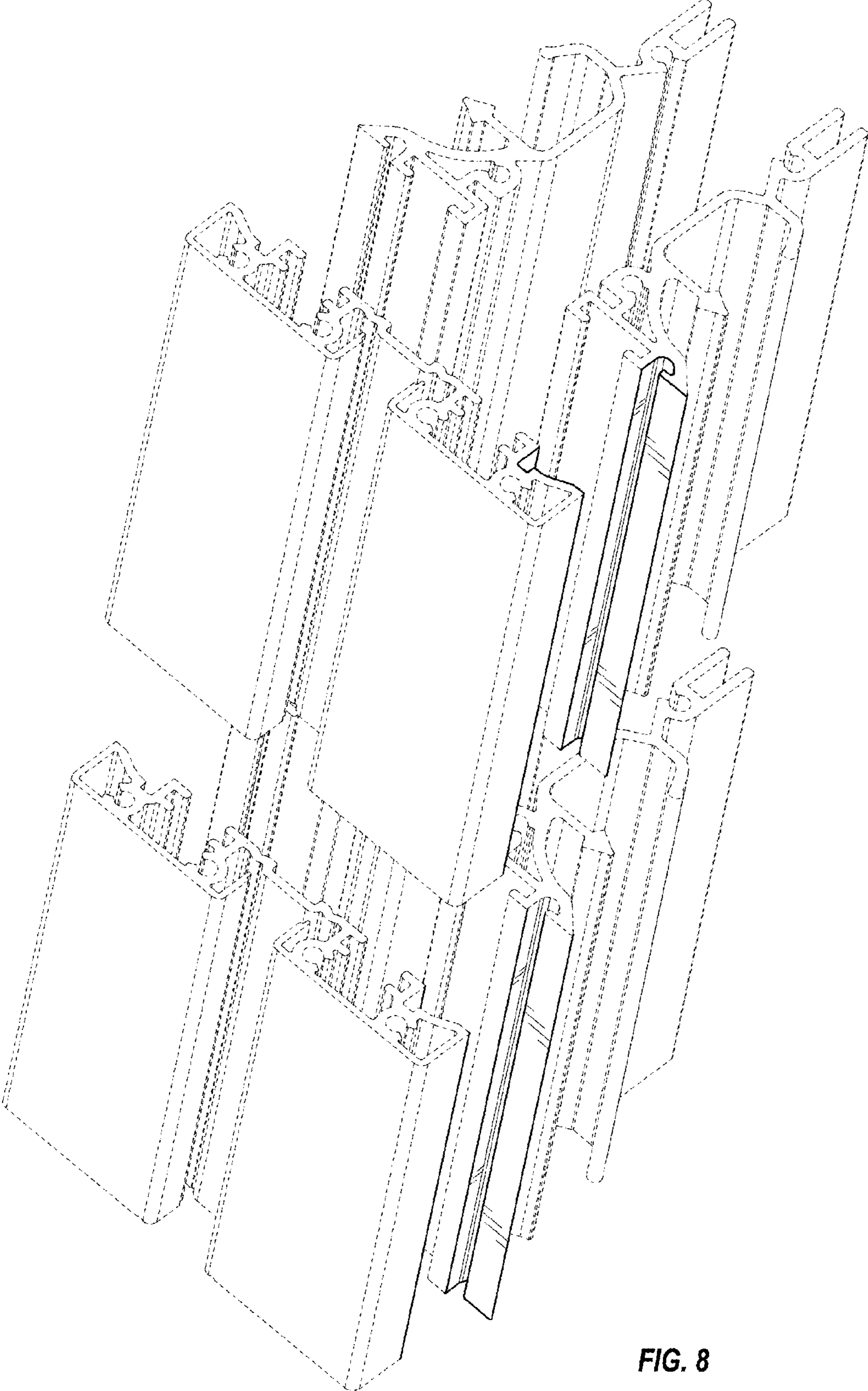


FIG. 8

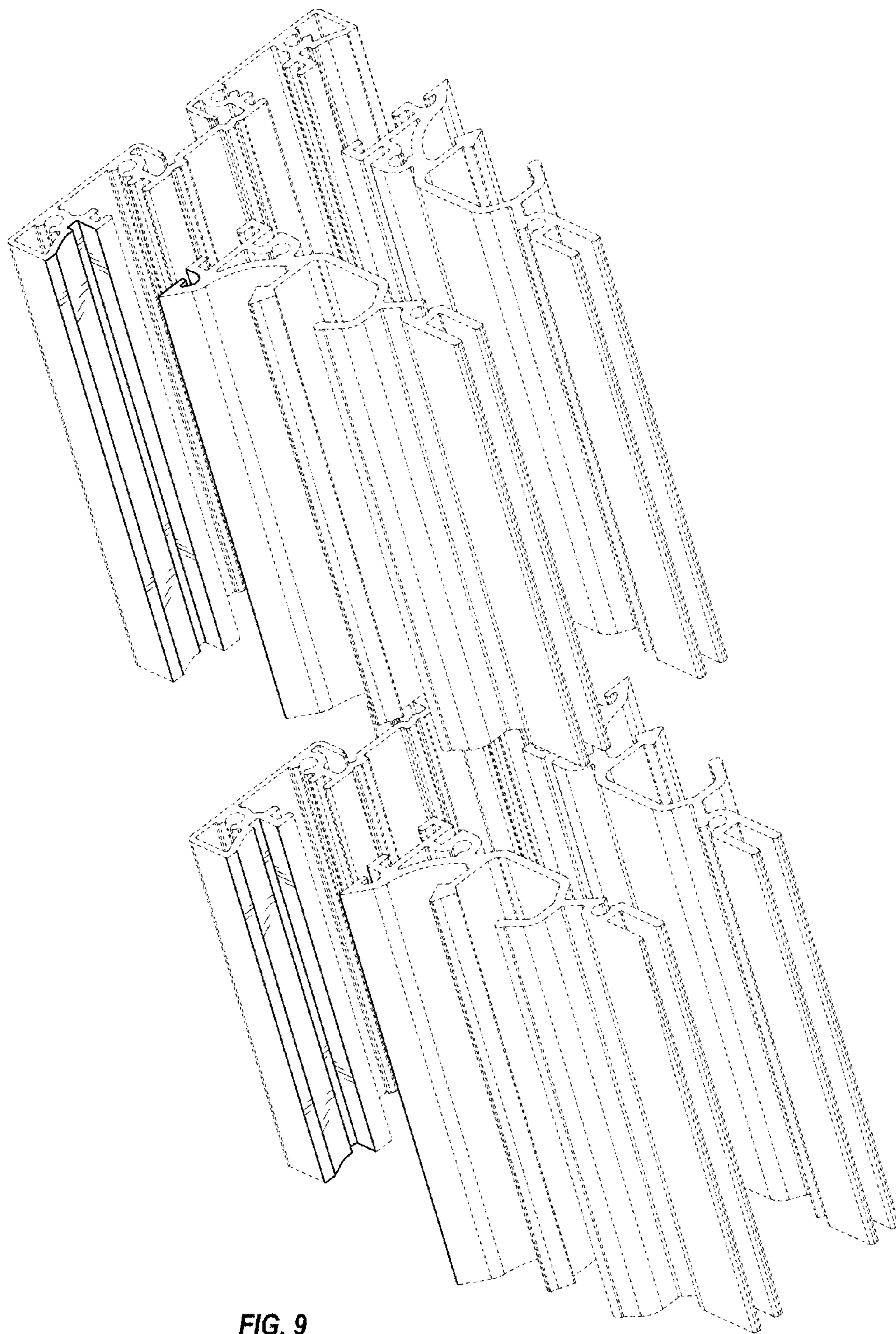


FIG. 9