



US00D734870S

(12) **United States Design Patent**
Scorsone et al.

(10) **Patent No.:** **US D734,870 S**
(45) **Date of Patent:** **** Jul. 21, 2015**

(54) **SOLAR CANOPY**

(75) Inventors: **John Scorsone**, Philadelphia, PA (US);
John Dolceamore, Drexel Hill, PA (US);
Peter Officer, Cherry Hill, NJ (US);
Michael J. Tamburri, Mt. Laurel, NJ
(US)

(73) Assignee: **SolareAmerica**, Malvern, PA (US)

(**) Term: **14 Years**

(21) Appl. No.: **29/413,999**

(22) Filed: **Feb. 23, 2012**

Related U.S. Application Data

(63) Continuation-in-part of application No. 29/411,159,
filed on Jan. 17, 2012, now Pat. No. Des. 672,472.

(51) **LOC (10) Cl.** **25-03**

(52) **U.S. Cl.**

USPC **D25/22**

(58) **Field of Classification Search**

USPC D25/15, 17-18, 20, 22-30, 33, 34, 56;
D13/102; 52/63, 74, 73, 66, 75, 78, 89

See application file for complete search history.

(56) **References Cited**

U.S. PATENT DOCUMENTS

D192,723	S	*	5/1962	Lane	D25/56
5,692,534	A	*	12/1997	Brumfield	135/90
D408,554	S	*	4/1999	Dinwoodie	D25/56
6,201,179	B1		3/2001	Dalacu		
D511,576	S	*	11/2005	Shingleton et al.	D25/56
7,531,741	B1	*	5/2009	Melton et al.	136/246
D611,404	S	*	3/2010	Mackler	D13/102
D611,405	S	*	3/2010	Mackler	D13/102
D631,824	S	*	2/2011	Tanaka et al.	D13/102
D643,937	S	*	8/2011	Boesch	D25/56
D647,216	S	*	10/2011	Richardson	D25/56
D657,736	S	*	4/2012	Mackler	D13/102

D657,737	S	*	4/2012	Mackler	D13/102
D657,738	S	*	4/2012	Mackler	D13/102
D664,916	S	*	8/2012	Conger	D13/102
D665,731	S	*	8/2012	Conger	D13/102
D671,885	S	*	12/2012	Steinau	D13/102
D672,472	S	*	12/2012	Dolceamore et al.	D25/22
D697,864	S	*	1/2014	McGrath	D13/102
8,640,394	B2	*	2/2014	Richardson	52/73
D701,828	S	*	4/2014	Garrett-Schesch	D13/102
8,701,356	B2	*	4/2014	Forsland et al.	52/66
2009/0050194	A1	*	2/2009	Noble et al.	136/251
2009/0266400	A1		10/2009	DeLiddo et al.		

(Continued)

OTHER PUBLICATIONS

Office Action issued Dec. 18, 2014 in U.S. Appl. No. 13/409,421 by Scorsone.

Primary Examiner — Ian Simmons

Assistant Examiner — Samantha Q Lawrence

(74) *Attorney, Agent, or Firm* — Panitch Schwarze
Bellisario & Nadel LLP

(57) **CLAIM**

The ornamental design for a solar canopy, as shown and described.

DESCRIPTION

FIG. 1 is a top perspective view of a solar canopy in accordance with our new design;

FIG. 2 is a front elevational view thereof;

FIG. 3 is a rear elevational view thereof;

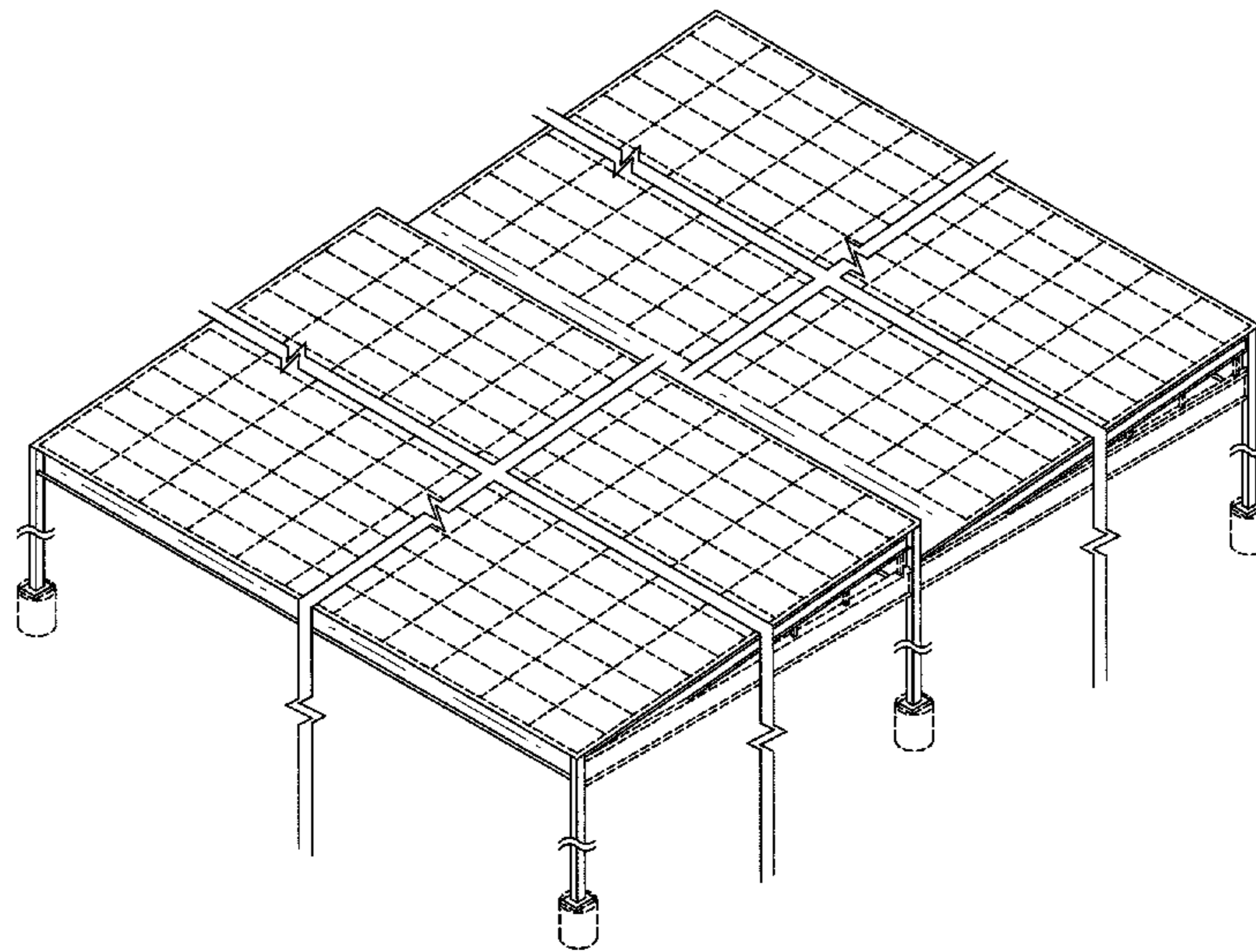
FIG. 4 is a right side elevational view thereof, a left side elevational view thereof being identical; and,

FIG. 5 is a top plan view thereof.

The broken lines in the figures illustrate portions of the solar canopy that form no part of the claimed design.

The bottom plan view of the solar canopy is not shown in the drawings and forms no part of the claimed design.

1 Claim, 4 Drawing Sheets



(56)

References Cited

U.S. PATENT DOCUMENTS

2010/0269428	A1	10/2010	Stancel et al.	2011/0233157	A1	9/2011	Kmita
2010/0314509	A1*	12/2010	Conger 248/121	2012/0016815	A1	1/2012	DeBartolo, III et al.
2011/0094569	A1	4/2011	Hartley et al.	2012/0017526	A1	1/2012	Eide
2011/0179727	A1	7/2011	Liu	2012/0031456	A1	2/2012	Christman et al.
				2012/0037214	A1	2/2012	Sagayama

* cited by examiner

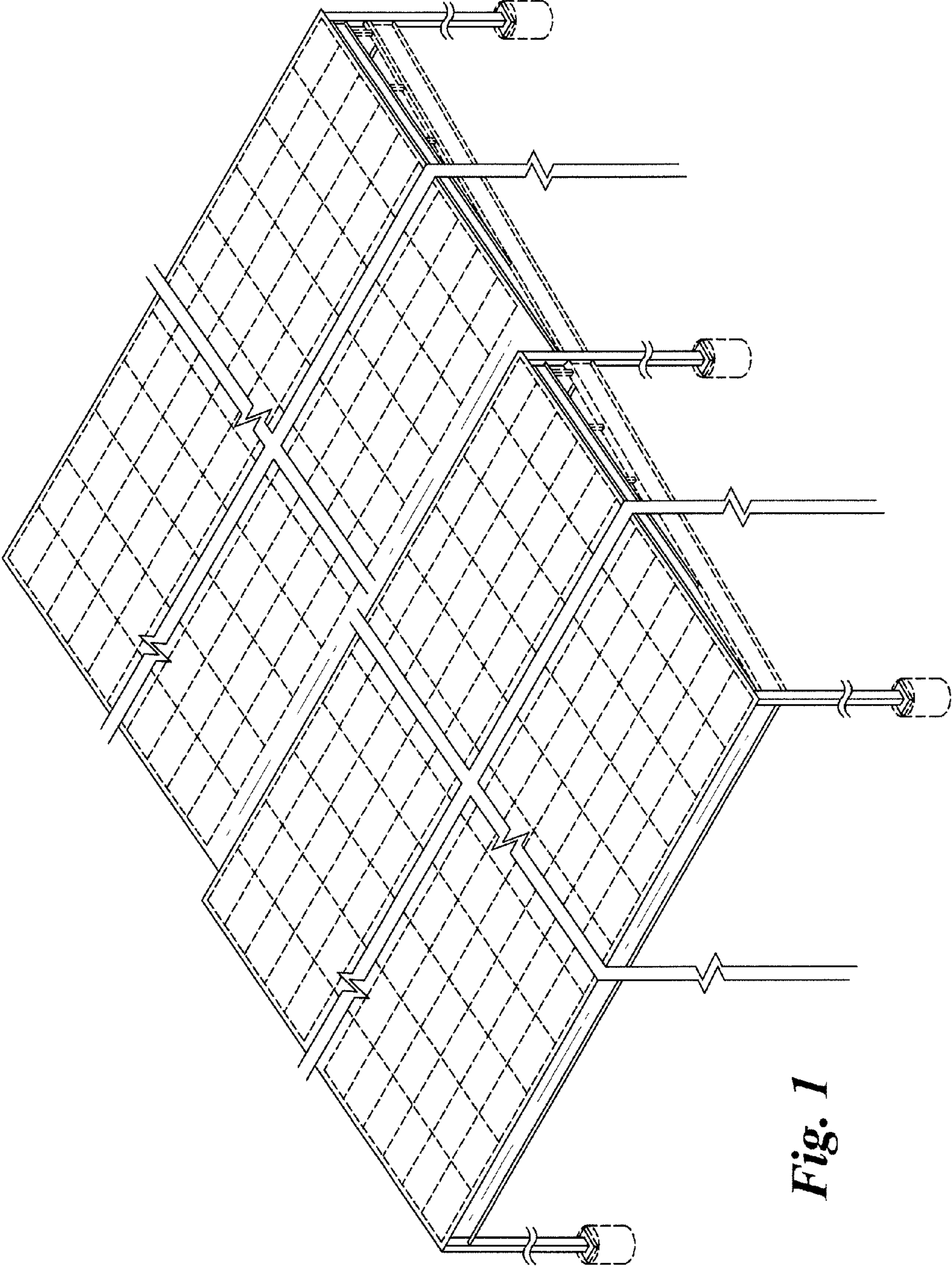


Fig. 1

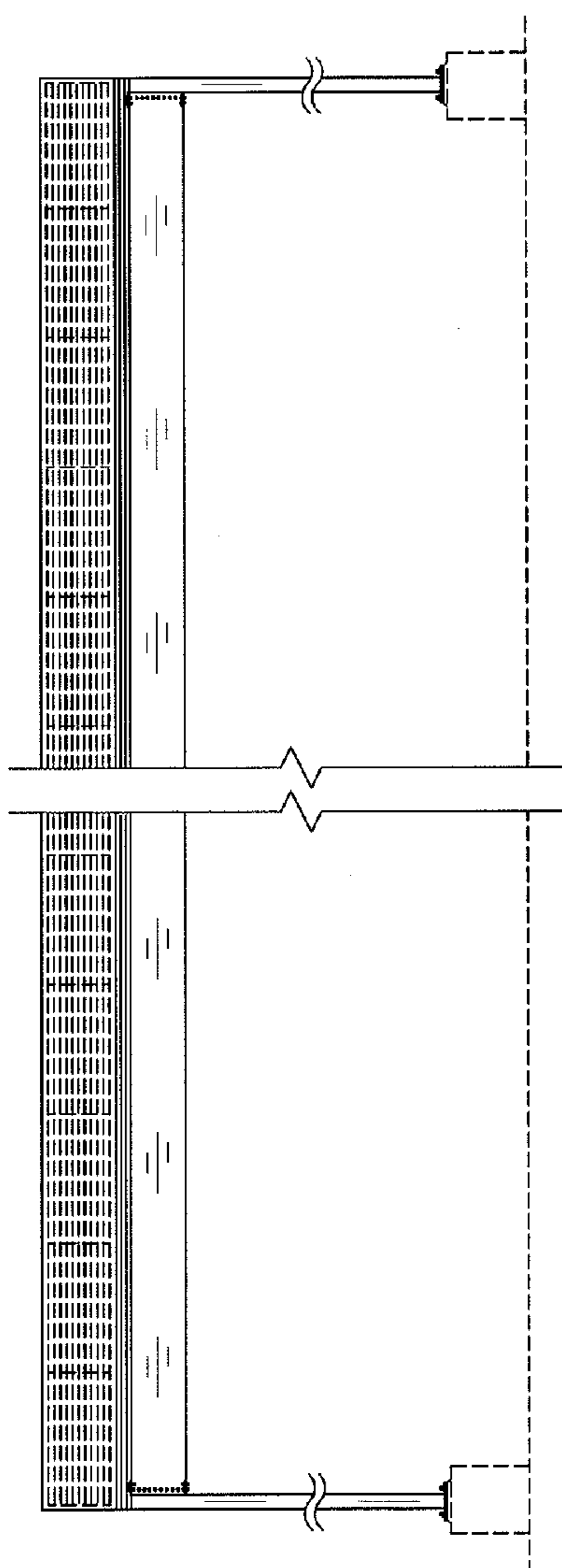


Fig. 2

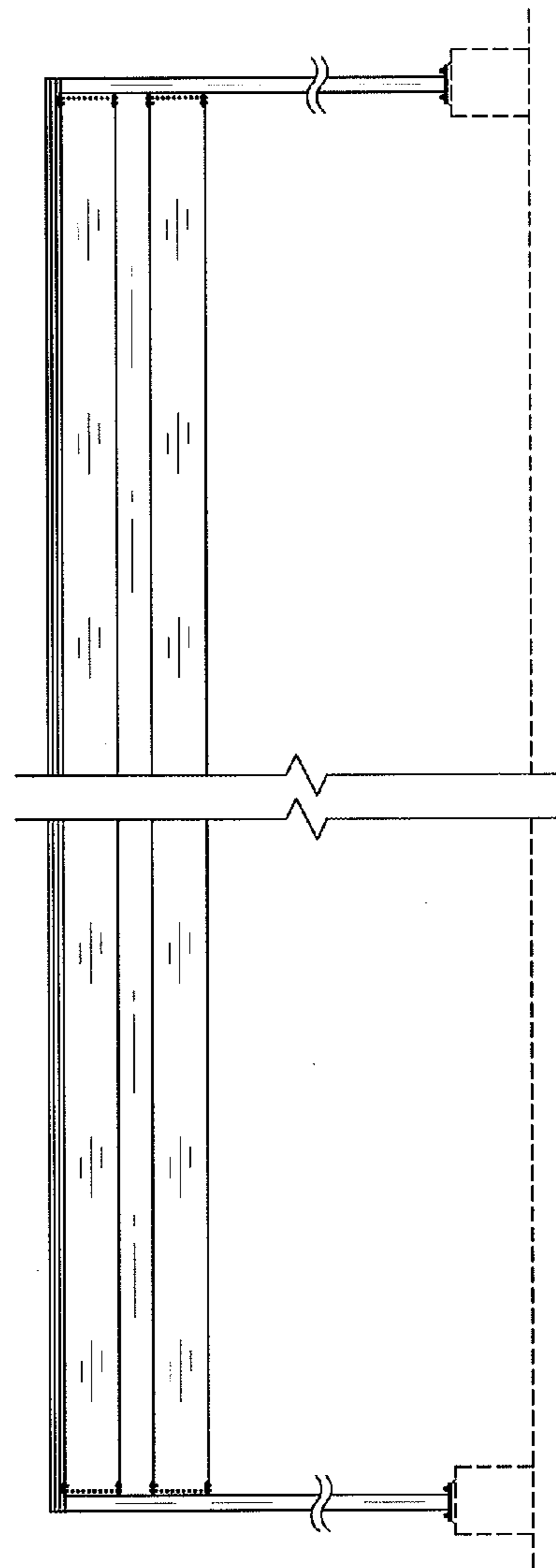


Fig. 3

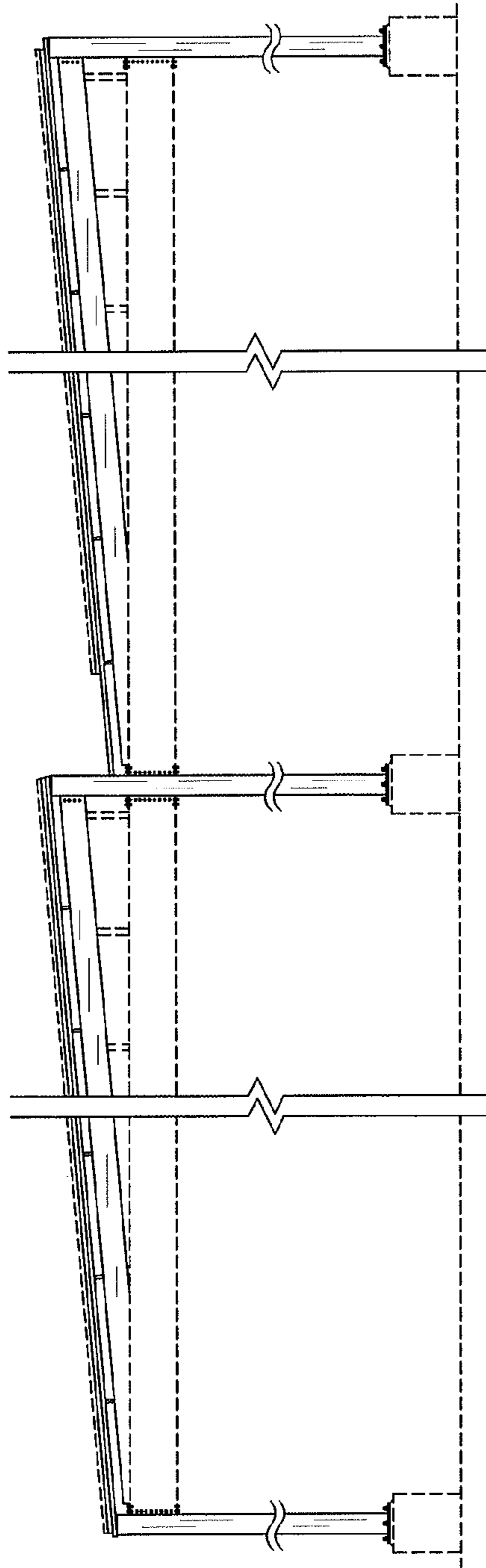


Fig. 4

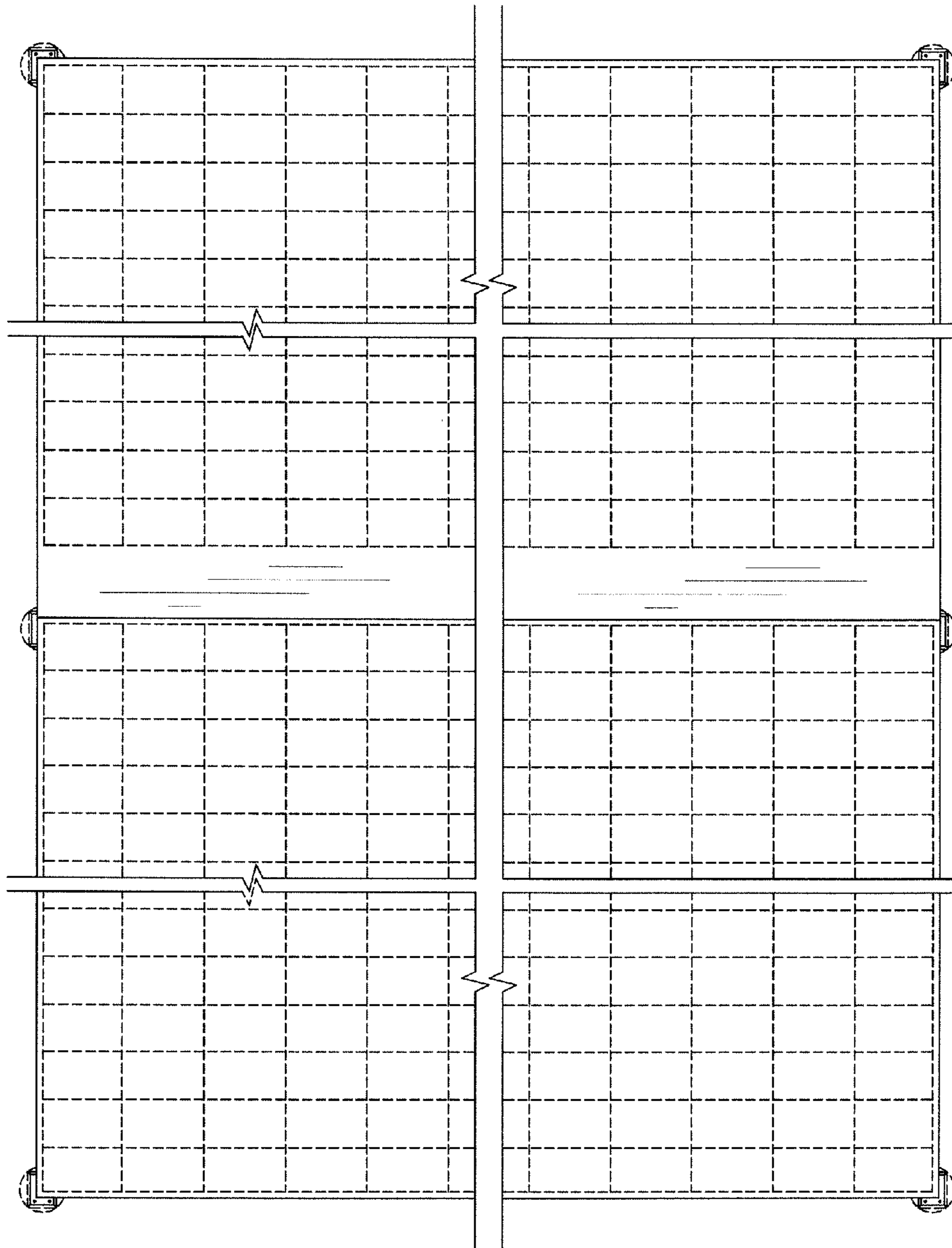


Fig. 5