



US00D734866S

(12) **United States Design Patent**
Maier

(10) **Patent No.:** **US D734,866 S**
(45) **Date of Patent:** **** Jul. 21, 2015**

(54) **BEAKER**

(71) Applicant: **Karl-Heinz Maier**, Icking (DE)

(72) Inventor: **Karl-Heinz Maier**, Icking (DE)

(**) Term: **14 Years**

(21) Appl. No.: **29/453,417**

(22) Filed: **Apr. 29, 2013**

(30) **Foreign Application Priority Data**

Mar. 1, 2013 (EP) 001362875

(51) **LOC (10) Cl.** **24-02**

(52) **U.S. Cl.**
USPC **D24/224**

(58) **Field of Classification Search**
USPC D24/216, 222-226, 231, 232;
D10/46.2, 81; D3/203.1-203.8;
422/99, 102, 300; D9/778, 503-504,
D9/529, 746; 435/288.1, 288.3, 288.4,
435/304.1, 305.1, 305.3, 305.4; D7/608,
D7/629, 612; 432/263; 220/359.2; D28/76;
600/573

See application file for complete search history.

(56) **References Cited**

U.S. PATENT DOCUMENTS

D171,578 S * 3/1954 Brucker D9/778
D217,438 S * 5/1970 Ballbauch D9/504
D254,180 S * 2/1980 Morin D7/612
4,428,384 A * 1/1984 Raitto 600/573
D274,848 S * 7/1984 Chevassus D28/76
D307,053 S * 4/1990 Muller D24/224
D381,259 S * 7/1997 Hayes D9/504
D411,747 S * 6/1999 Kokenge et al. D9/503
D446,456 S * 8/2001 Adachi et al. D9/529
D479,951 S * 9/2003 Segura D7/608
D605,529 S * 12/2009 Holtrop D9/746
D612,240 S * 3/2010 Cresswell et al. D9/504
D621,261 S * 8/2010 DeMarco D9/504

D621,603 S * 8/2010 Traylor D3/203.2
D643,694 S * 8/2011 Lu D7/629
D659,004 S * 5/2012 McCoy D9/529
D659,005 S * 5/2012 McCoy D9/529

(Continued)

FOREIGN PATENT DOCUMENTS

CH 685321 6/1995
WO 9928214 6/1999

(Continued)

Primary Examiner — T. Chase Nelson

Assistant Examiner — Mark Cavanna

(74) *Attorney, Agent, or Firm* — Sand & Sebolt

(57) **CLAIM**

The ornamental design for a beaker, as shown and described.

DESCRIPTION

FIG. 1 is a perspective view of the beaker in accordance with my design;

FIG. 2 is a front elevational view thereof;

FIG. 3 is a right side view thereof;

FIG. 4 is a rear view thereof;

FIG. 5 is a left side view thereof;

FIG. 6 is a top view thereof;

FIG. 7 is a bottom view thereof;

FIG. 8 is a perspective view of a base of the beaker of FIG. 1;

FIG. 9 is a front elevational view thereof;

FIG. 10 is a right side view thereof;

FIG. 11 is a rear view thereof;

FIG. 12 is a left side view thereof;

FIG. 13 is a top view thereof;

FIG. 14 is a bottom view thereof;

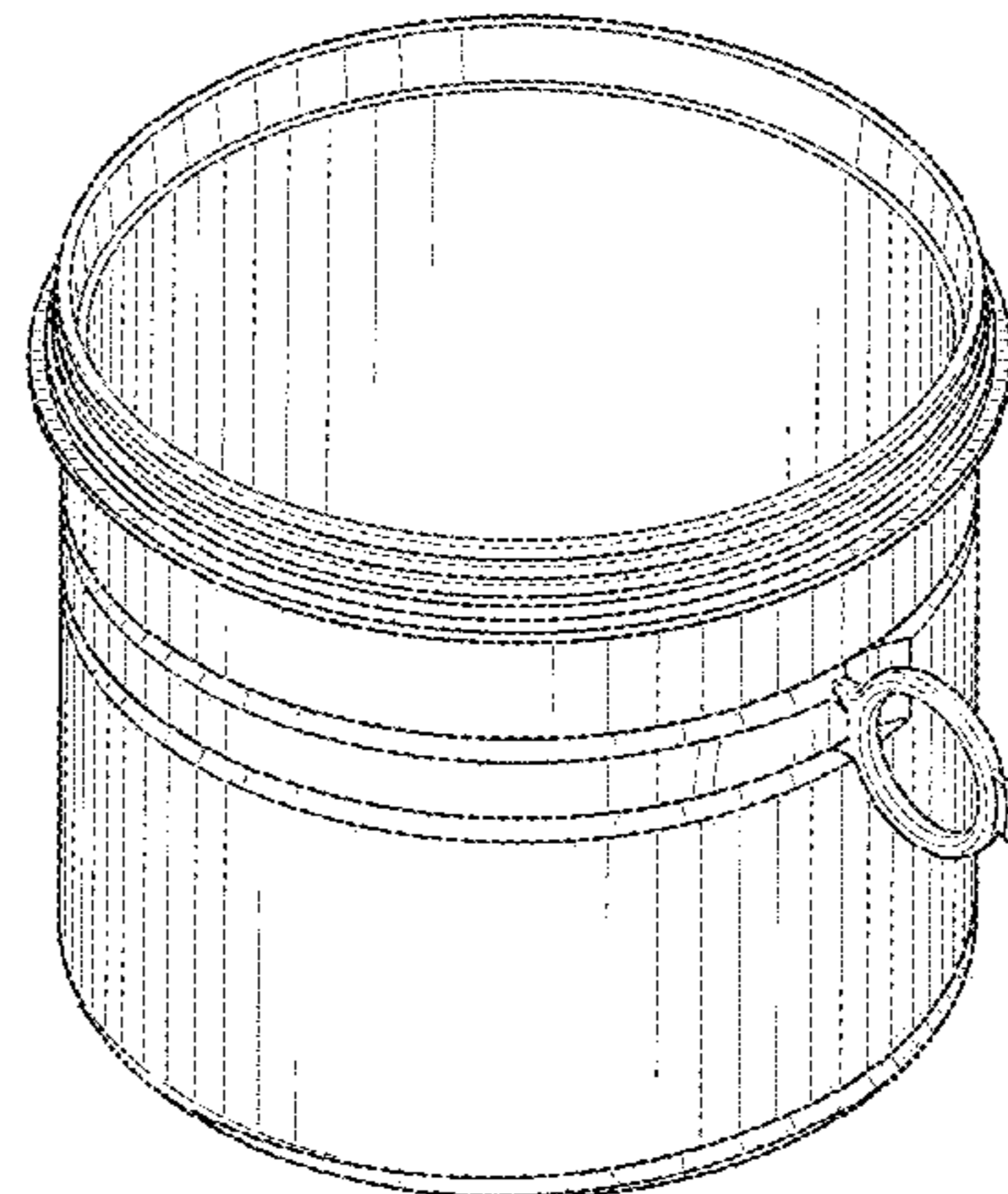
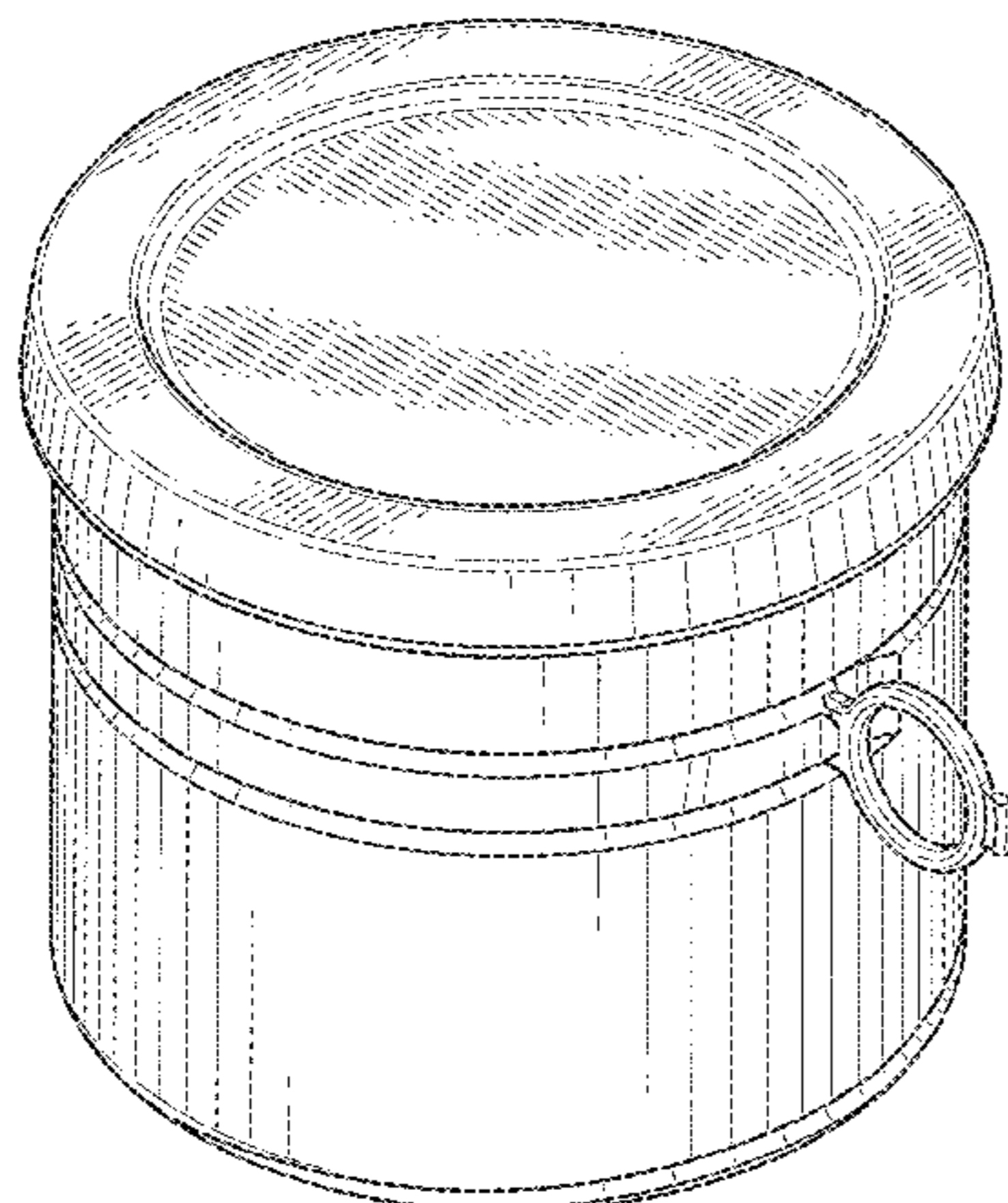
FIG. 15 is a cross-sectional view thereof taken along line 15-15 of FIG. 13;

FIG. 16 is a perspective top view of a lid of the beaker of FIG. 1;

FIG. 17 is a top view thereof; and,

FIG. 18 is a front view thereof.

1 Claim, 17 Drawing Sheets



(56)

References Cited

FOREIGN PATENT DOCUMENTS

U.S. PATENT DOCUMENTS

D659,539 S * 5/2012 Bakic D9/503
2004/0069677 A1* 4/2004 Baudin 206/581

WO 2007028623 3/2007
WO 2008009372 1/2008

* cited by examiner

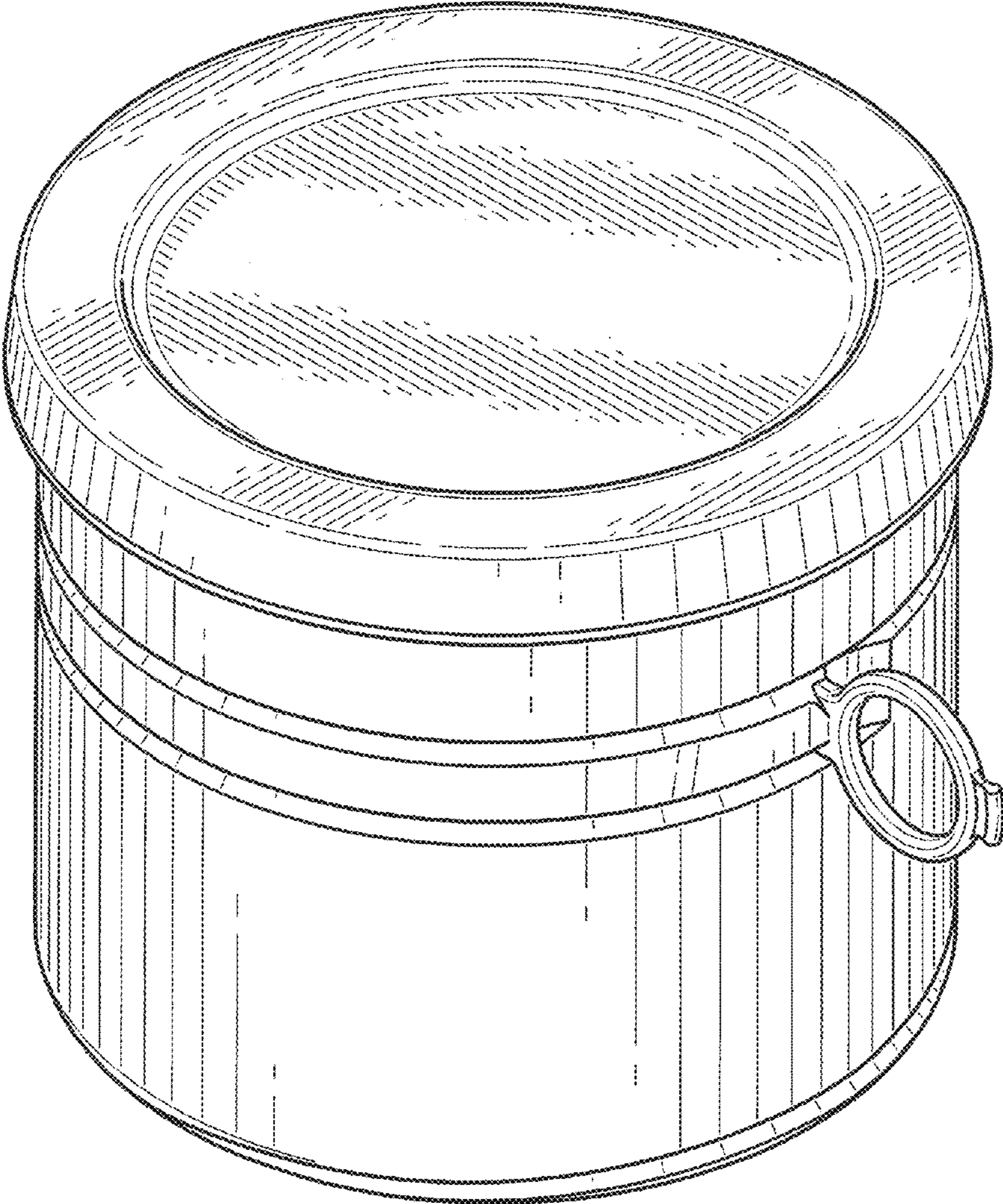


FIG-1

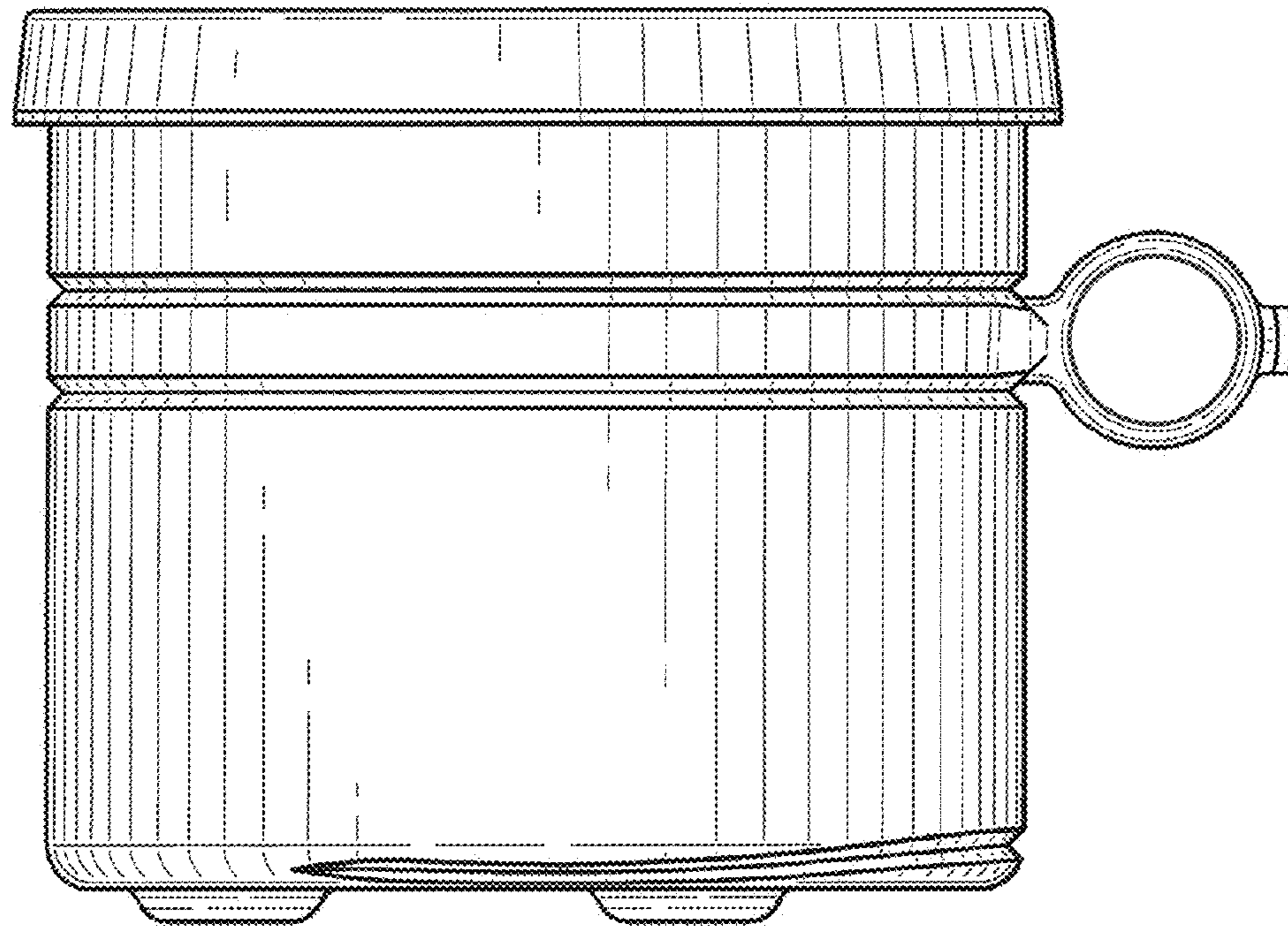


FIG-2

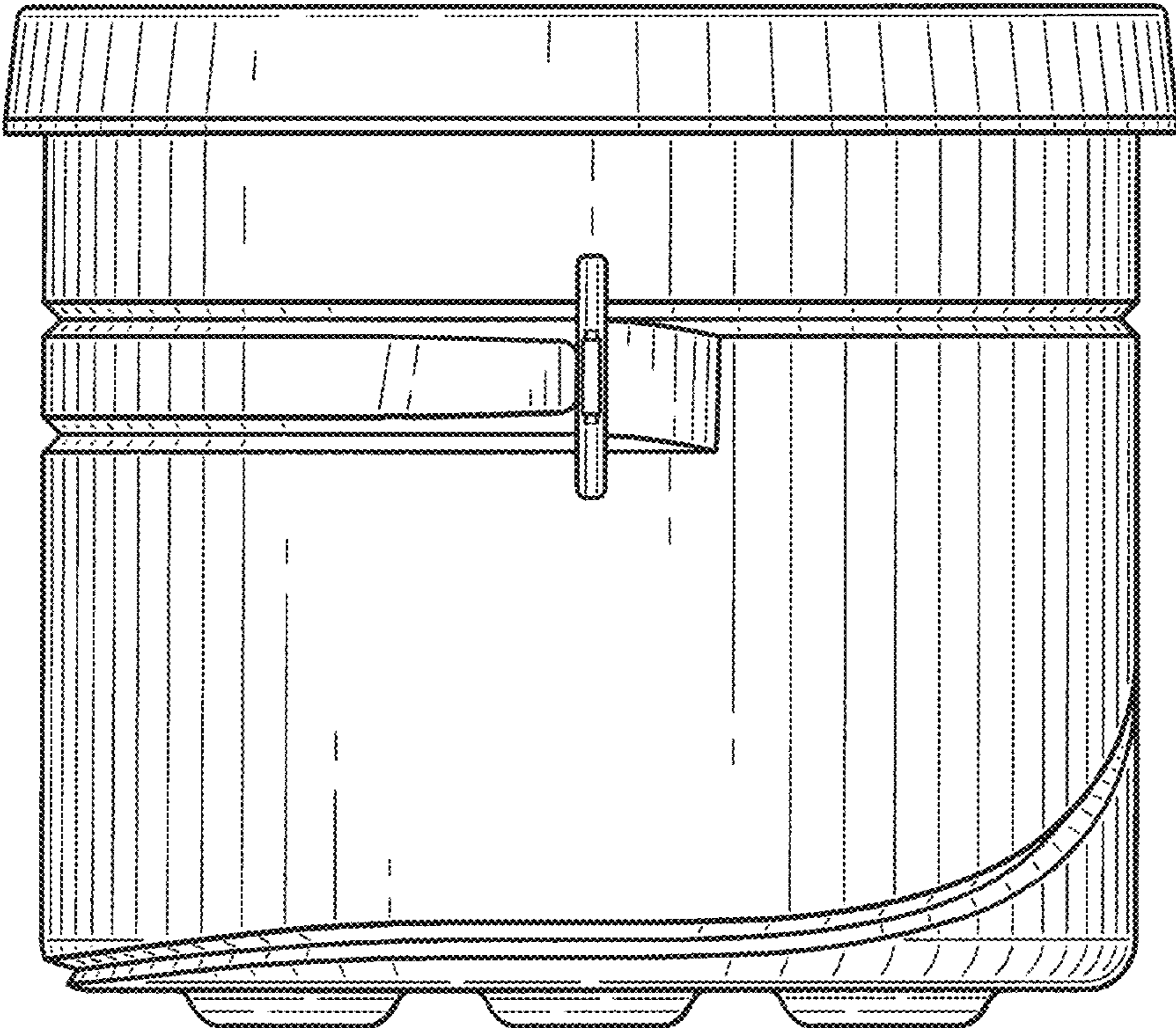


FIG-3

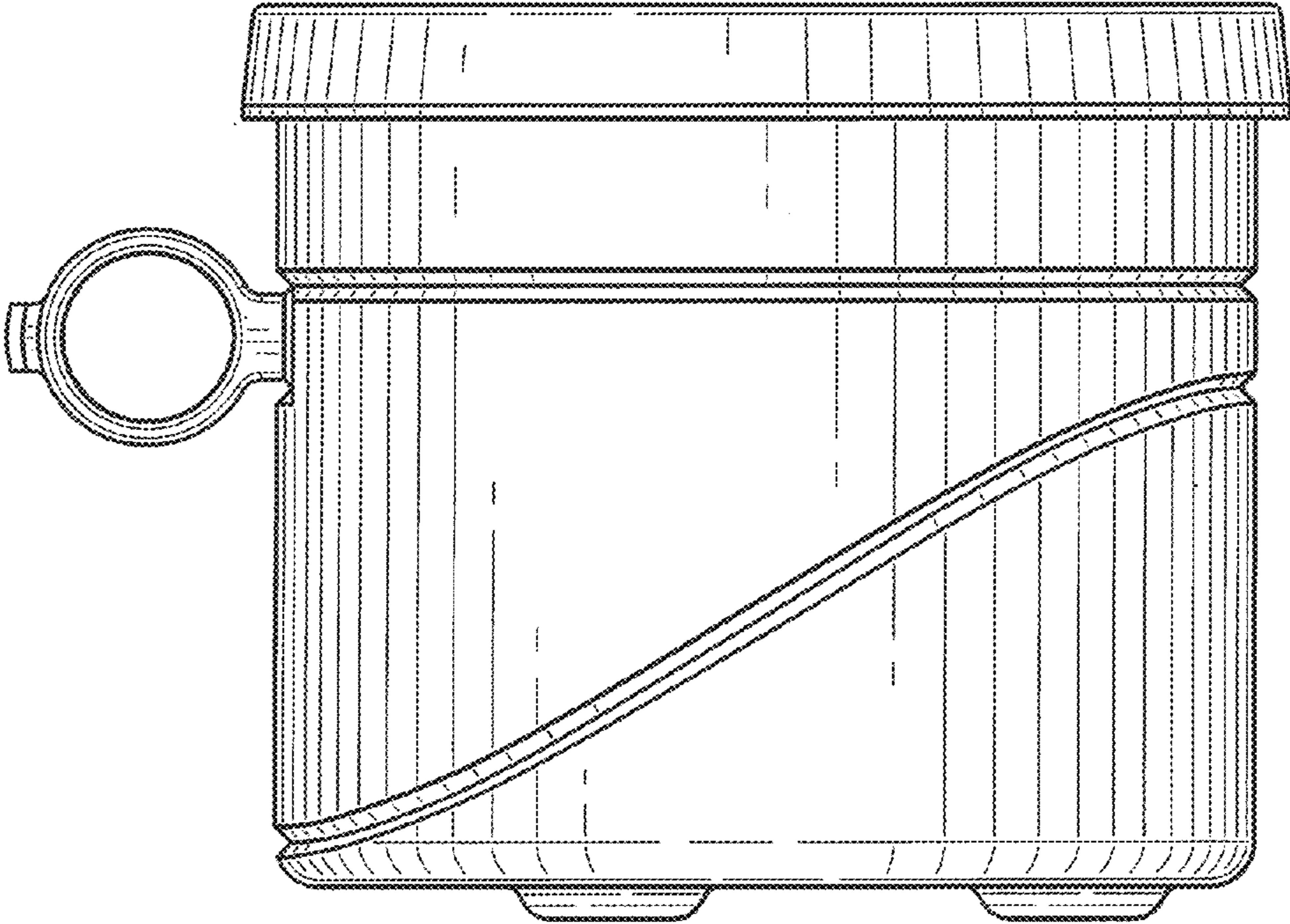


FIG-4

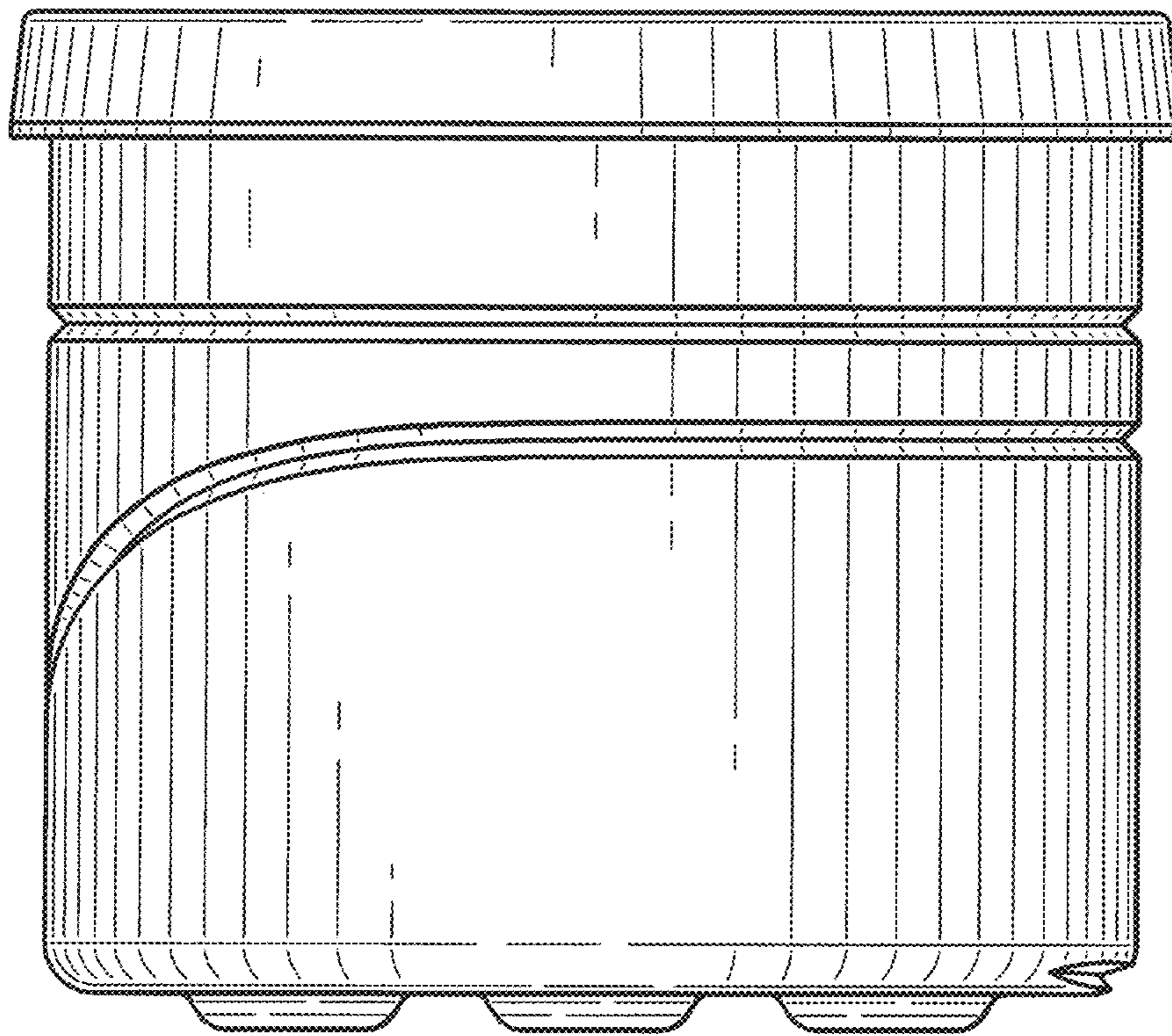


FIG-5

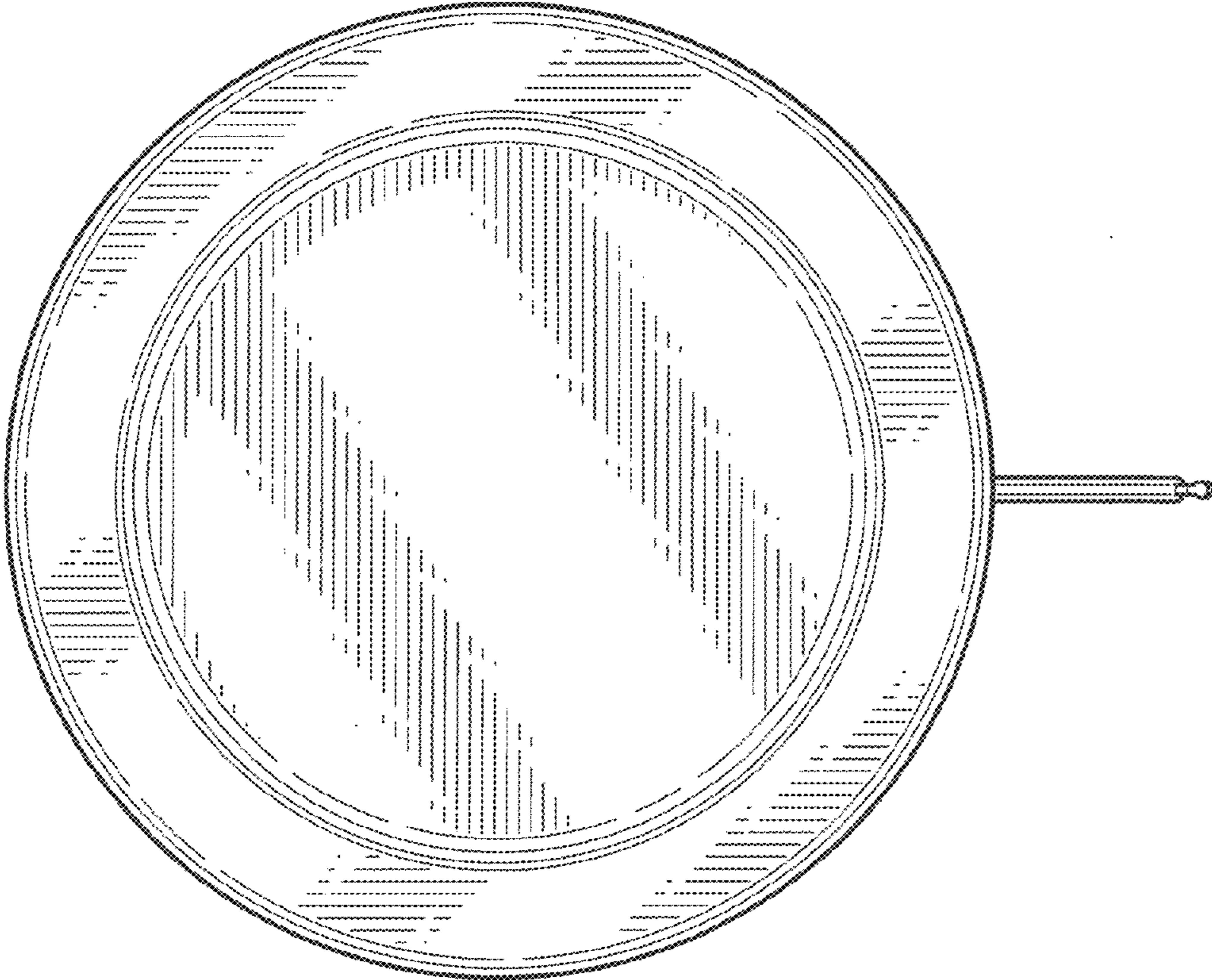


FIG-6

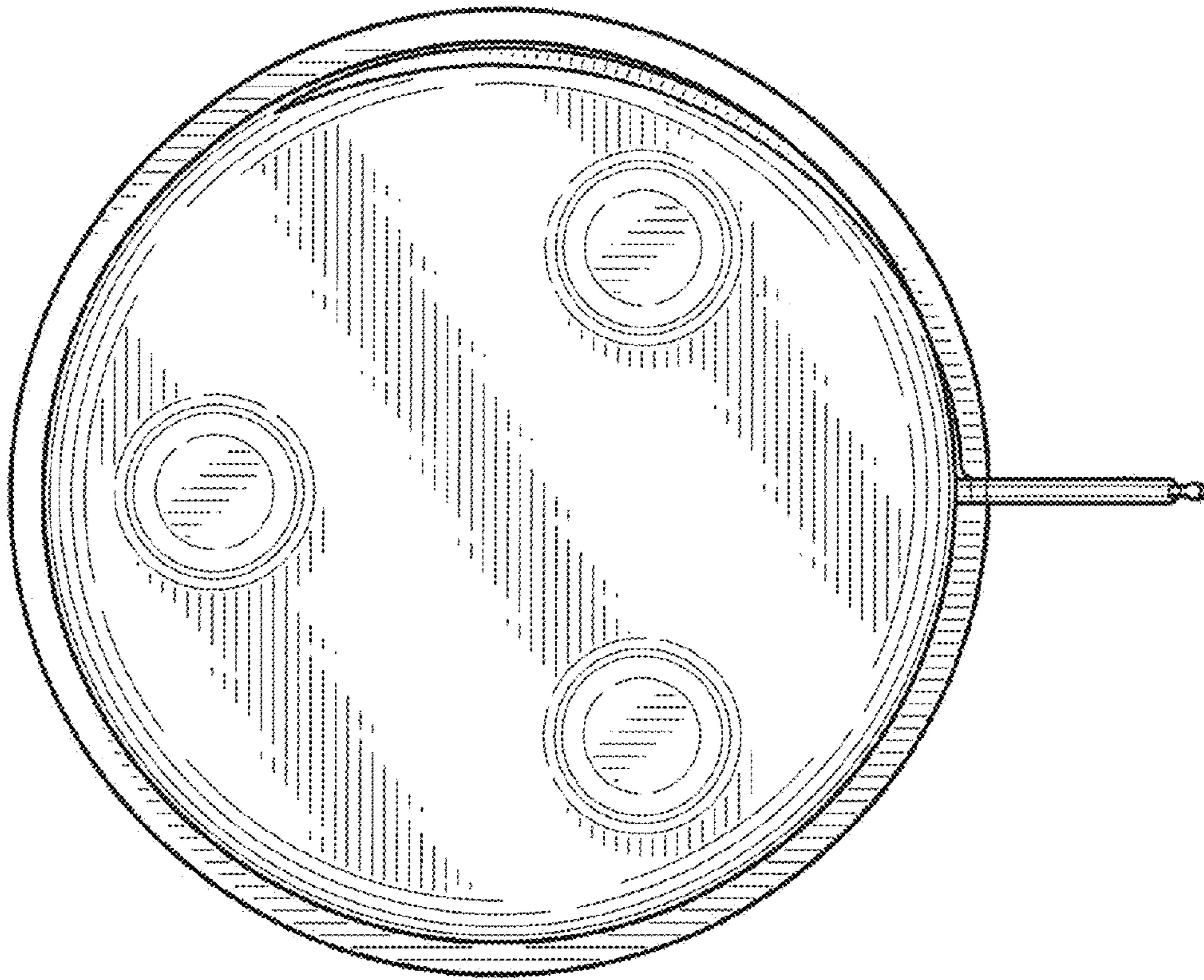


FIG-7

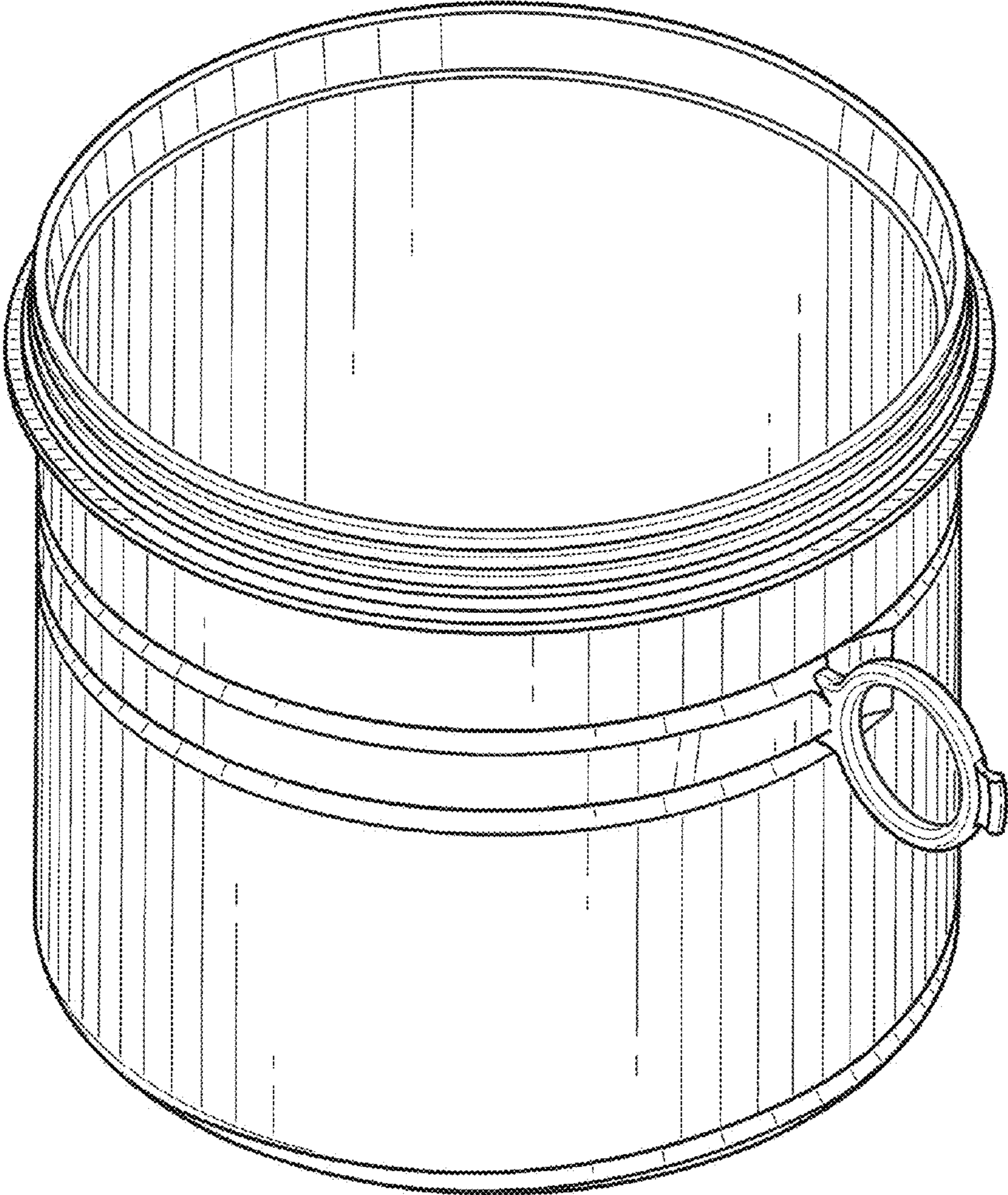


FIG-8

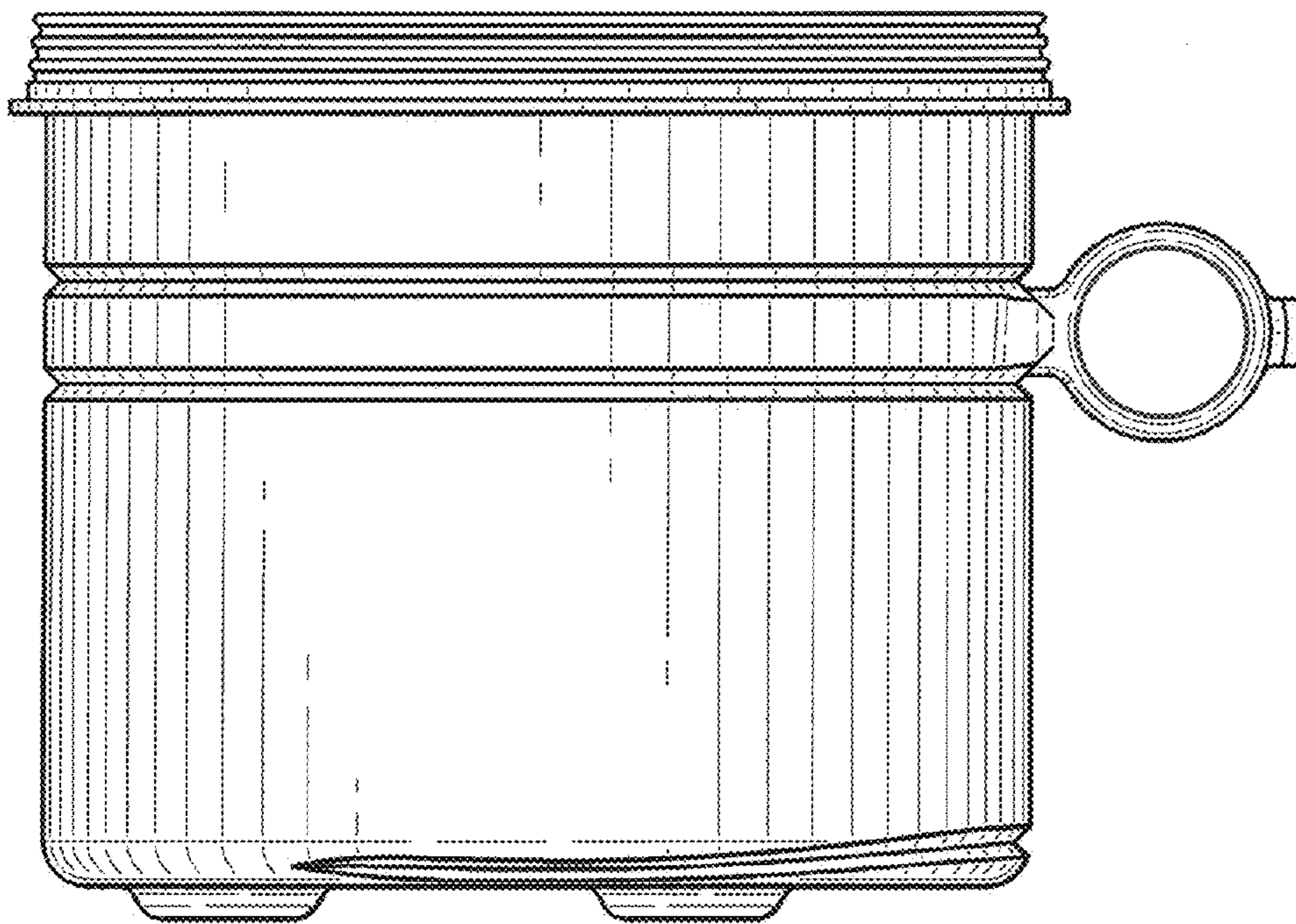


FIG-9

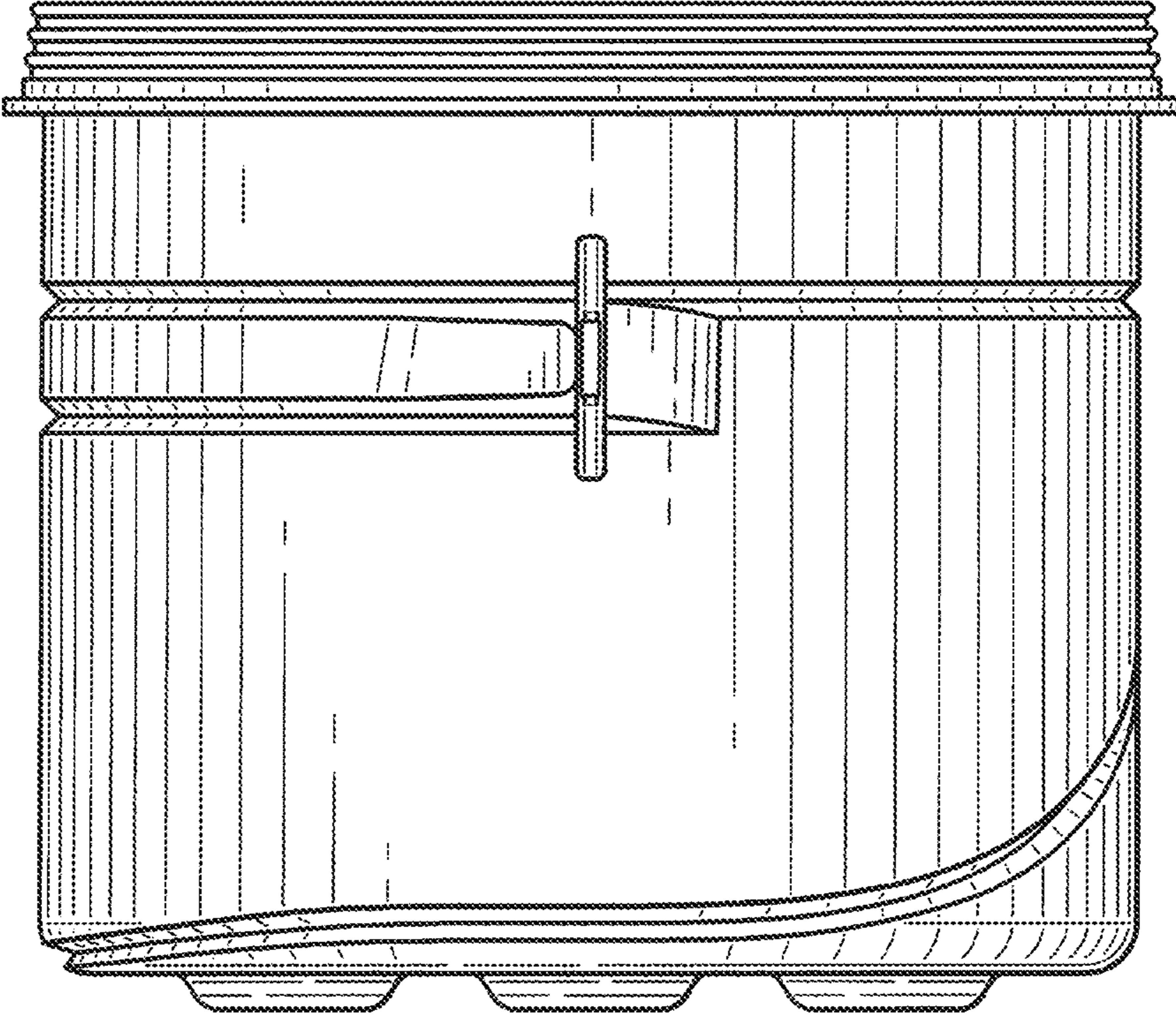


FIG-10

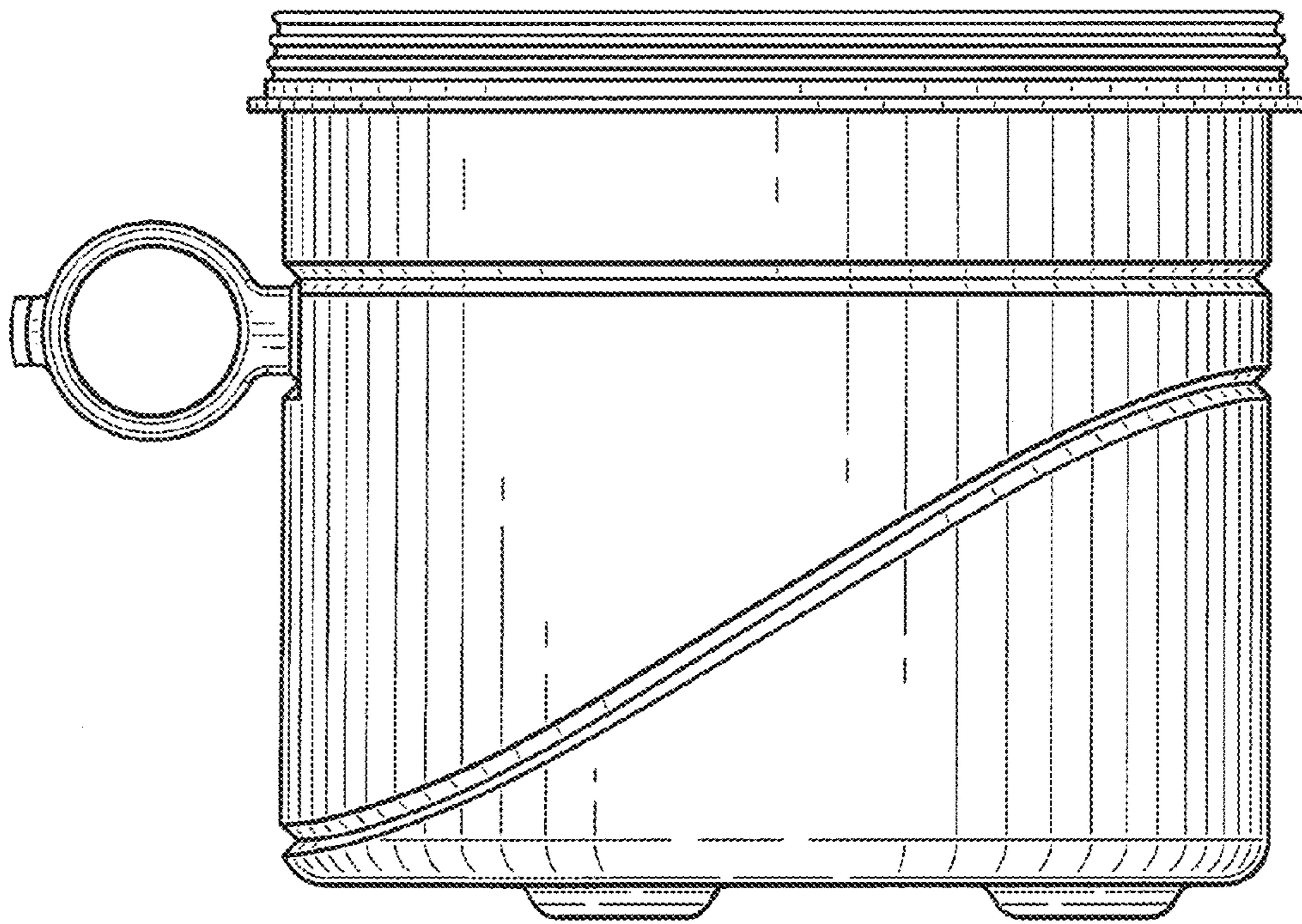


FIG-11

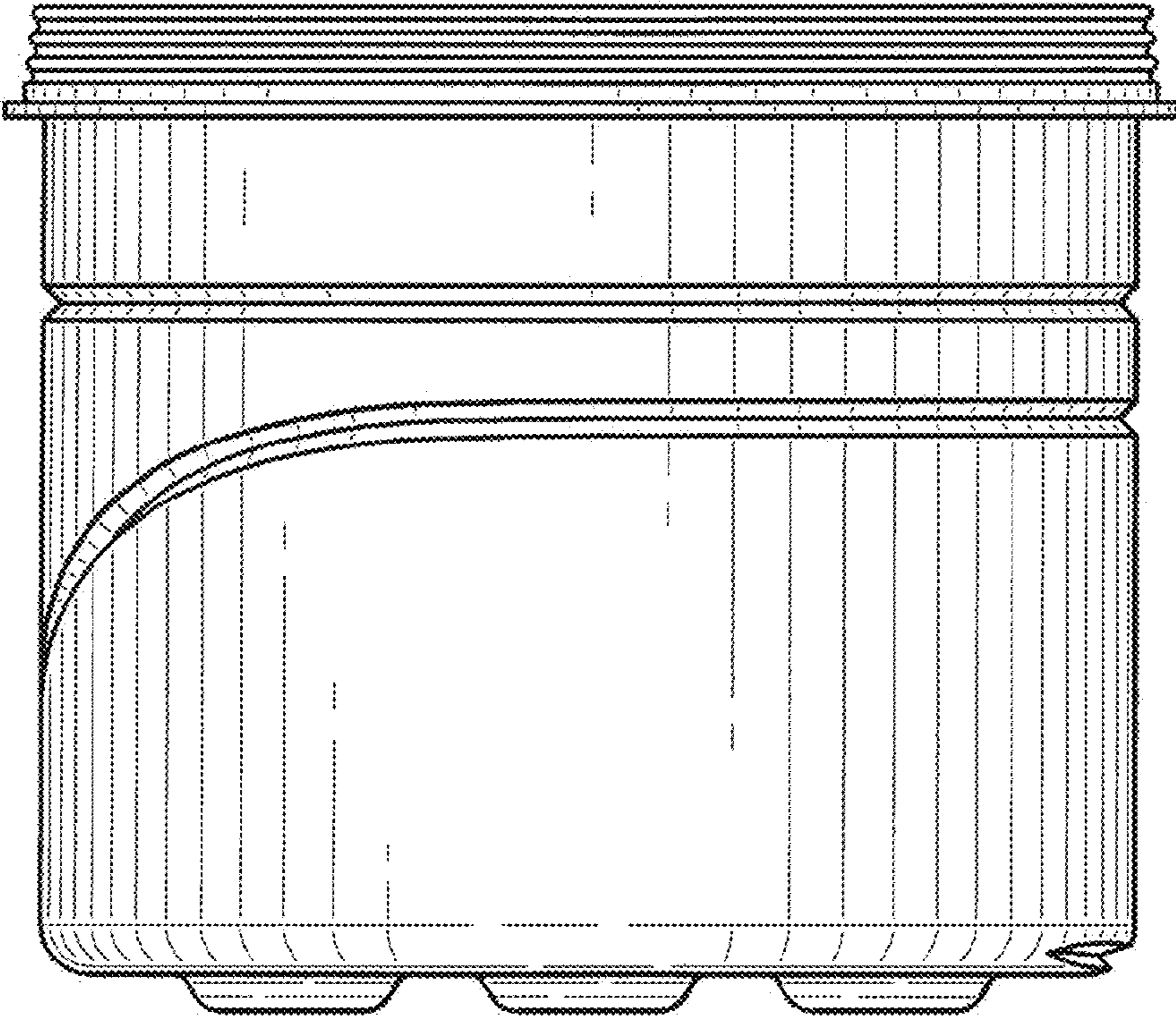


FIG-12

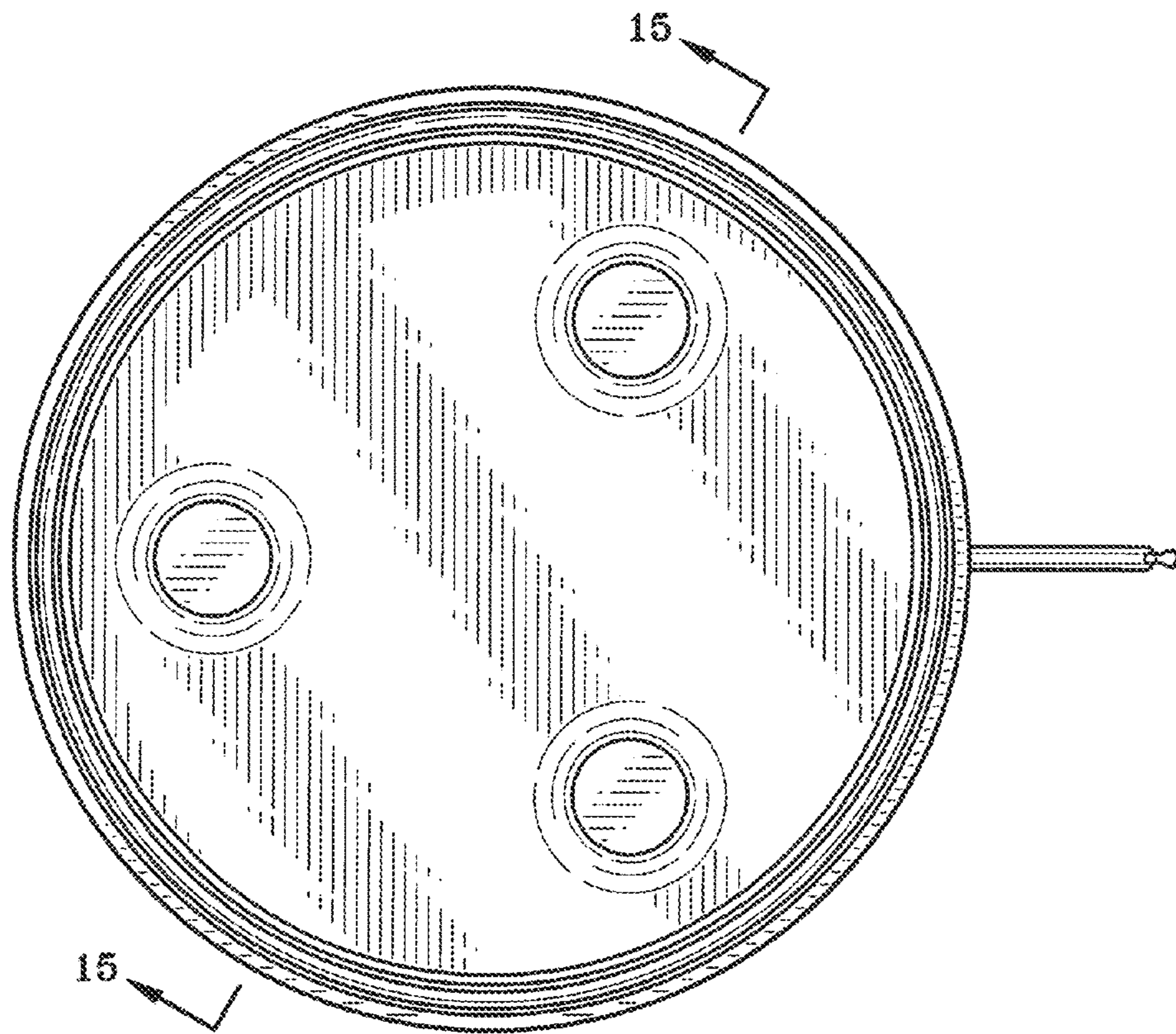


FIG-13

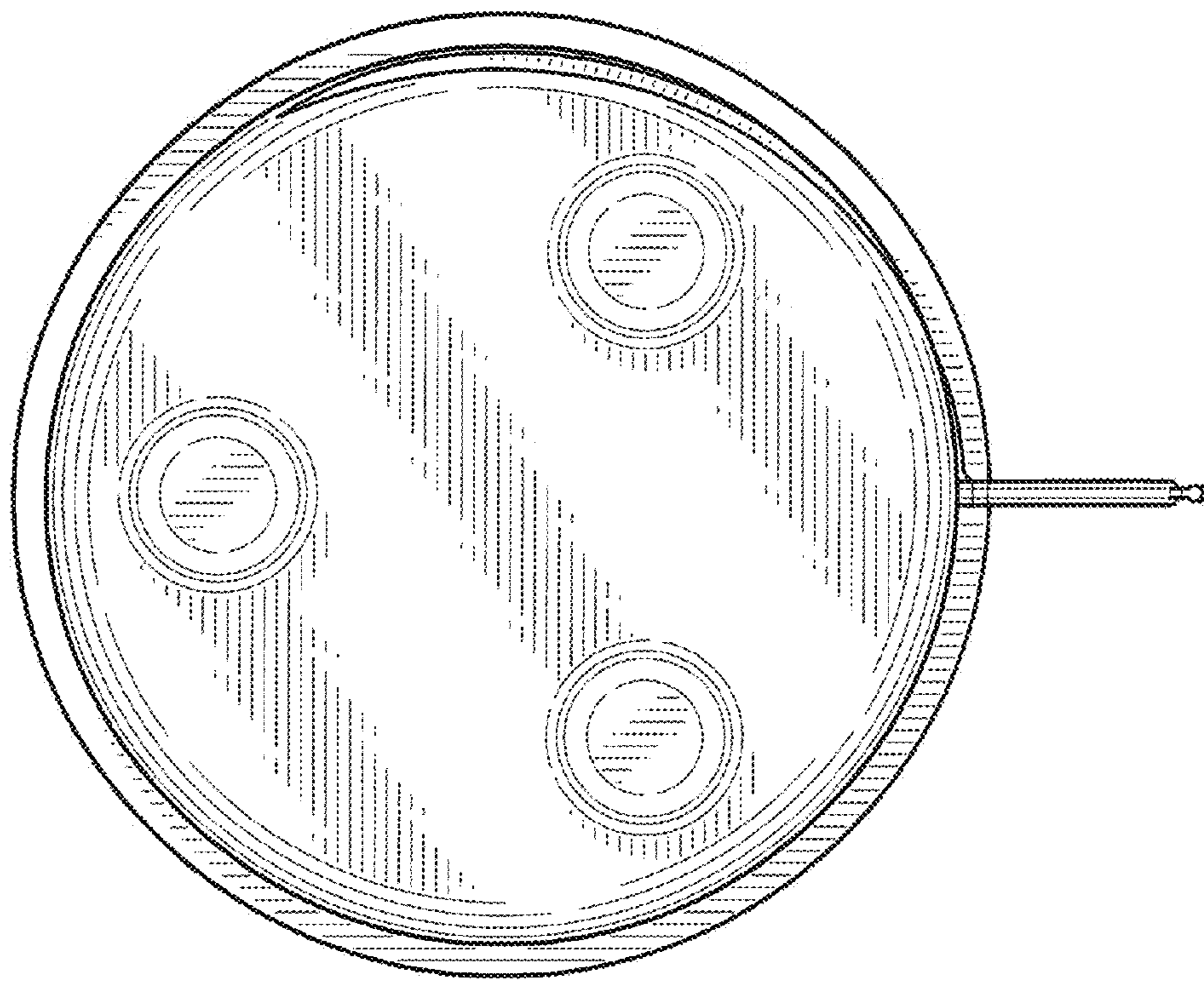


FIG-14

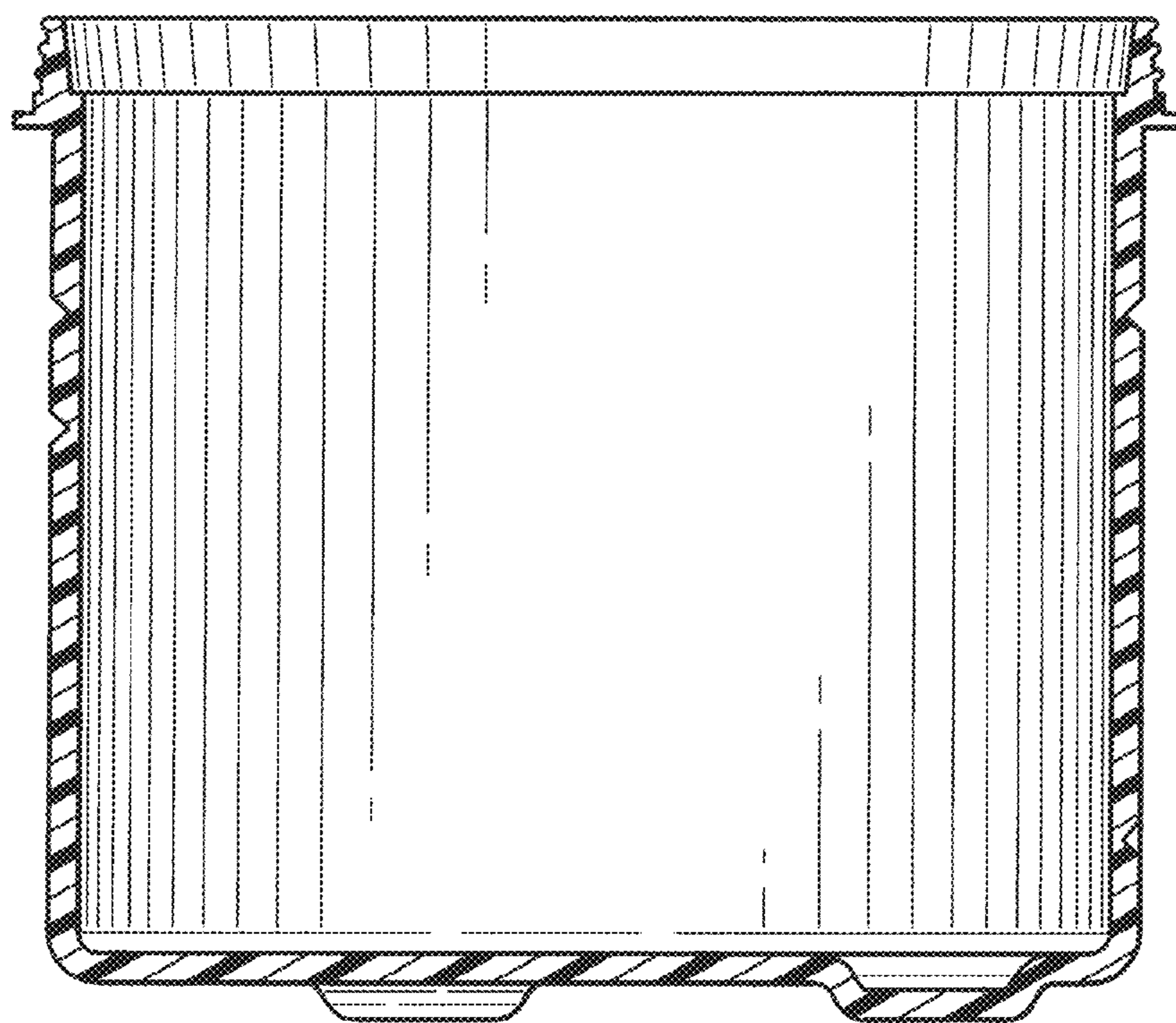


FIG-15

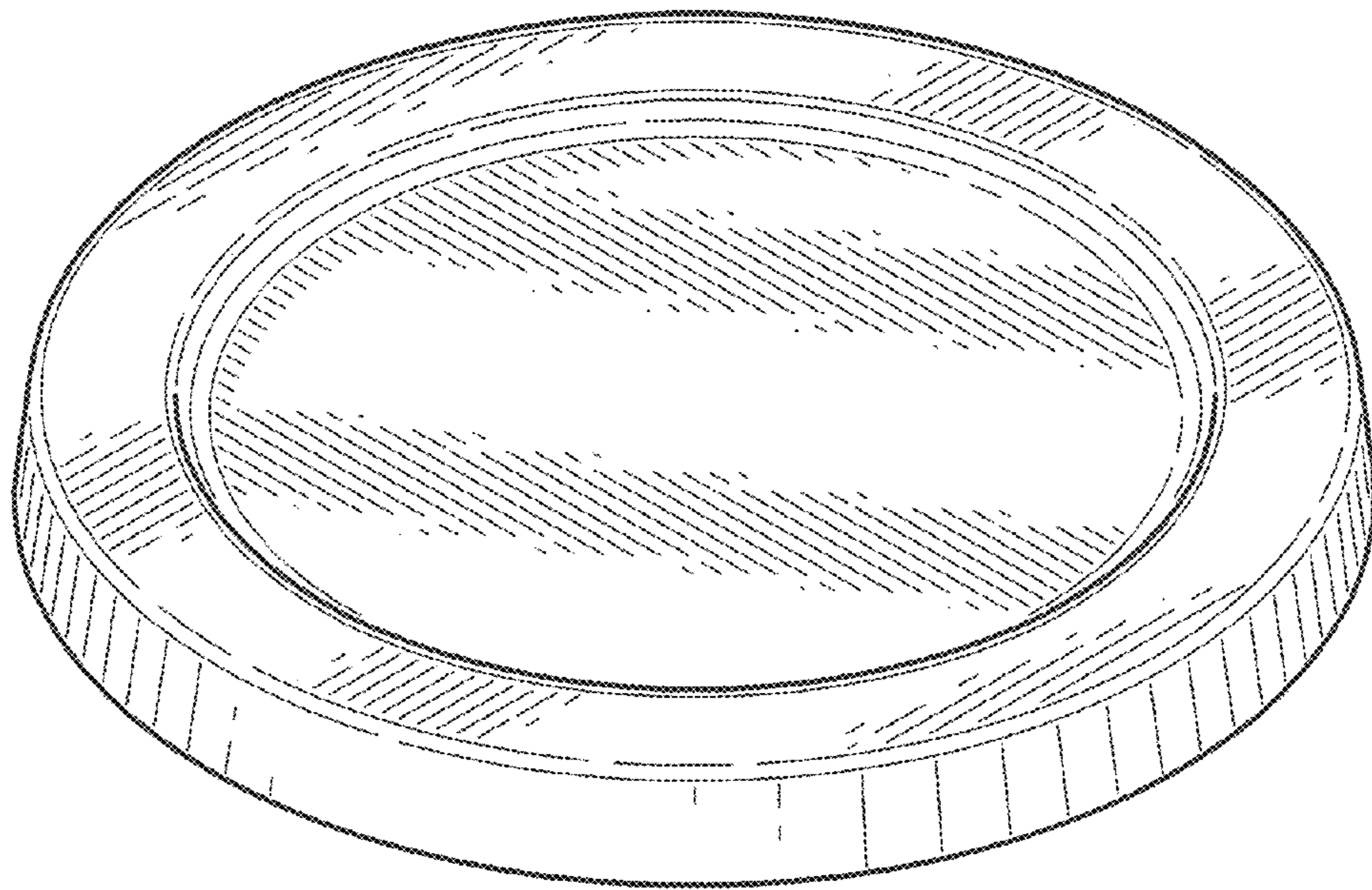


FIG-16

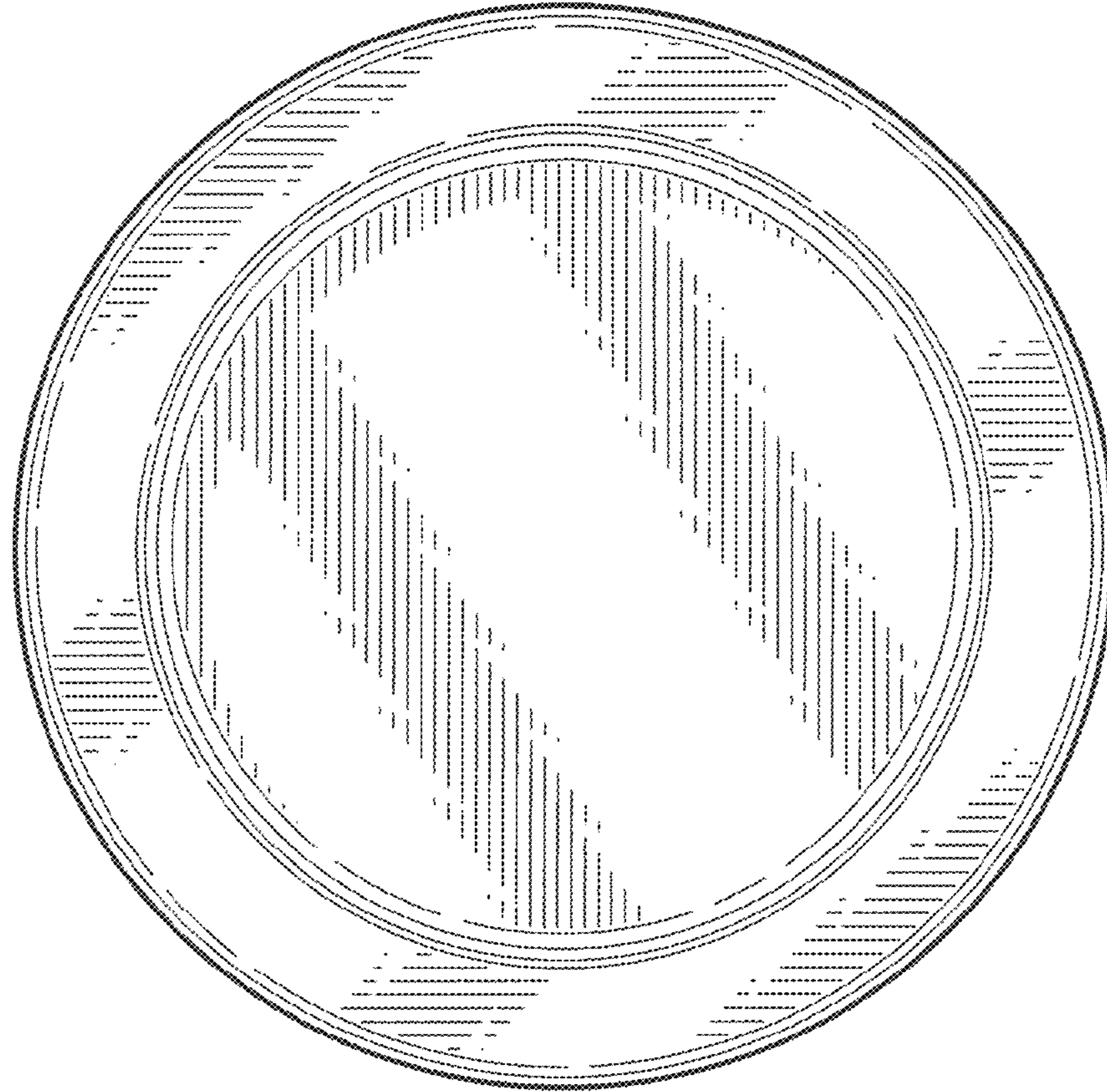


FIG-17

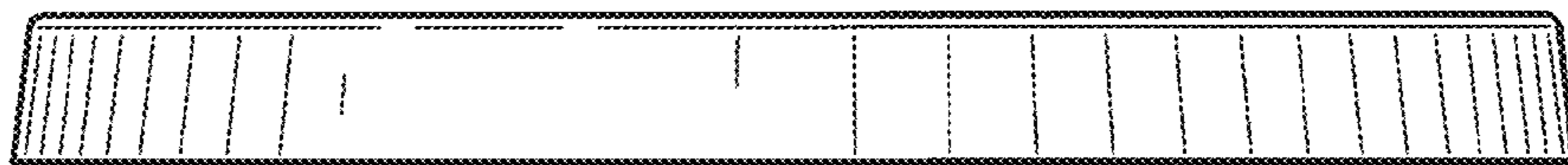


FIG-18