



US00D734865S

(12) **United States Design Patent**
Chapdelaine et al.

(10) **Patent No.:** **US D734,865 S**
(45) **Date of Patent:** **** Jul. 21, 2015**

(54) **INSTRUMENT**

(71) Applicant: **GenePOC INC.**, Québec (CA)

(72) Inventors: **Sébastien Chapdelaine**, Saint-Nicolas (CA); **Thomas-Éric Beliveau**, Montréal (CA); **Patrick Mainville**, Montréal (CA); **François Gaucher**, Beloeil (CA); **Antoine Dallaire**, Montréal (CA); **Michel G. Bergeron**, Québec (CA)

(73) Assignee: **GENEPOC INC.**, Québec, QC (CA)

(**) Term: **14 Years**

(21) Appl. No.: **29/487,718**

(22) Filed: **Apr. 11, 2014**

Related U.S. Application Data

(62) Division of application No. 29/429,959, filed on Aug. 20, 2012, now Pat. No. Des. 714,458.

(51) **LOC (10) Cl.** **24-01**

(52) **U.S. Cl.**
USPC **D24/219**; D24/216

(58) **Field of Classification Search**
USPC D24/216, 219, 186, 231, 232; D10/81;
422/62-65, 67, 68.1, 69, 70, 72, 500;
435/287.1; 436/43, 45, 47, 177
See application file for complete search history.

(56) **References Cited**

U.S. PATENT DOCUMENTS

3,970,245 A 7/1976 Aeschlimann
D329,902 S * 9/1992 Kim D24/219
D415,840 S 10/1999 Lamond et al.

D617,909 S 6/2010 Taniguchi et al.
D663,041 S 7/2012 Henssler et al.
D689,193 S * 9/2013 Shinohara et al. D24/216
D705,437 S * 5/2014 Chamberlin et al. D24/216

FOREIGN PATENT DOCUMENTS

WO 2012120463 9/2012

OTHER PUBLICATIONS

Glide et al., Manufacturing obstacles in IVD product development, IVD Technology, Jan. 2010, pp. 1-8. Available on the internet at www.ivdtechnology.com/print/1395 on Nov. 19, 2012.

* cited by examiner

Primary Examiner — Anhdao Doan

(74) *Attorney, Agent, or Firm* — Fasken Martineau DuMoulin

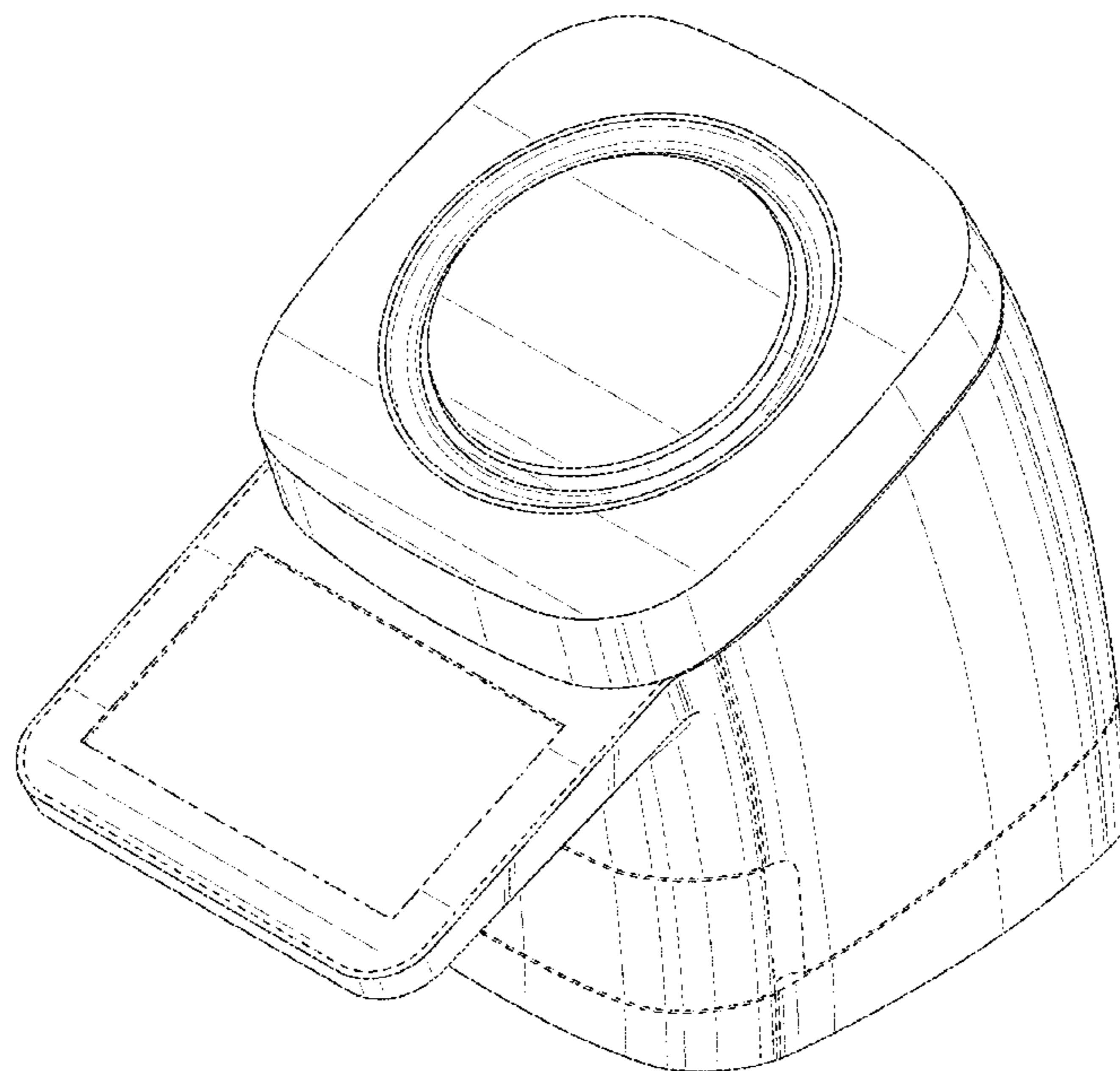
(57) **CLAIM**

The ornamental design for an instrument, as shown and described.

DESCRIPTION

FIG. 1 is a perspective view taken from a top, front, left side of the instrument;
FIG. 2 is a front view thereof;
FIG. 3 is a right side elevation view thereof;
FIG. 4 is a left side elevation view thereof;
FIG. 5 is a top view thereof;
FIG. 6 is a back view thereof; and,
FIG. 7 is a bottom view thereof.
Throughout the Figures, the dash-dotted lines represent the bounds of the claim, and all other broken lines illustrate unclaimed portions of the instrument. None of the broken lines form a part of the claimed design.

1 Claim, 7 Drawing Sheets



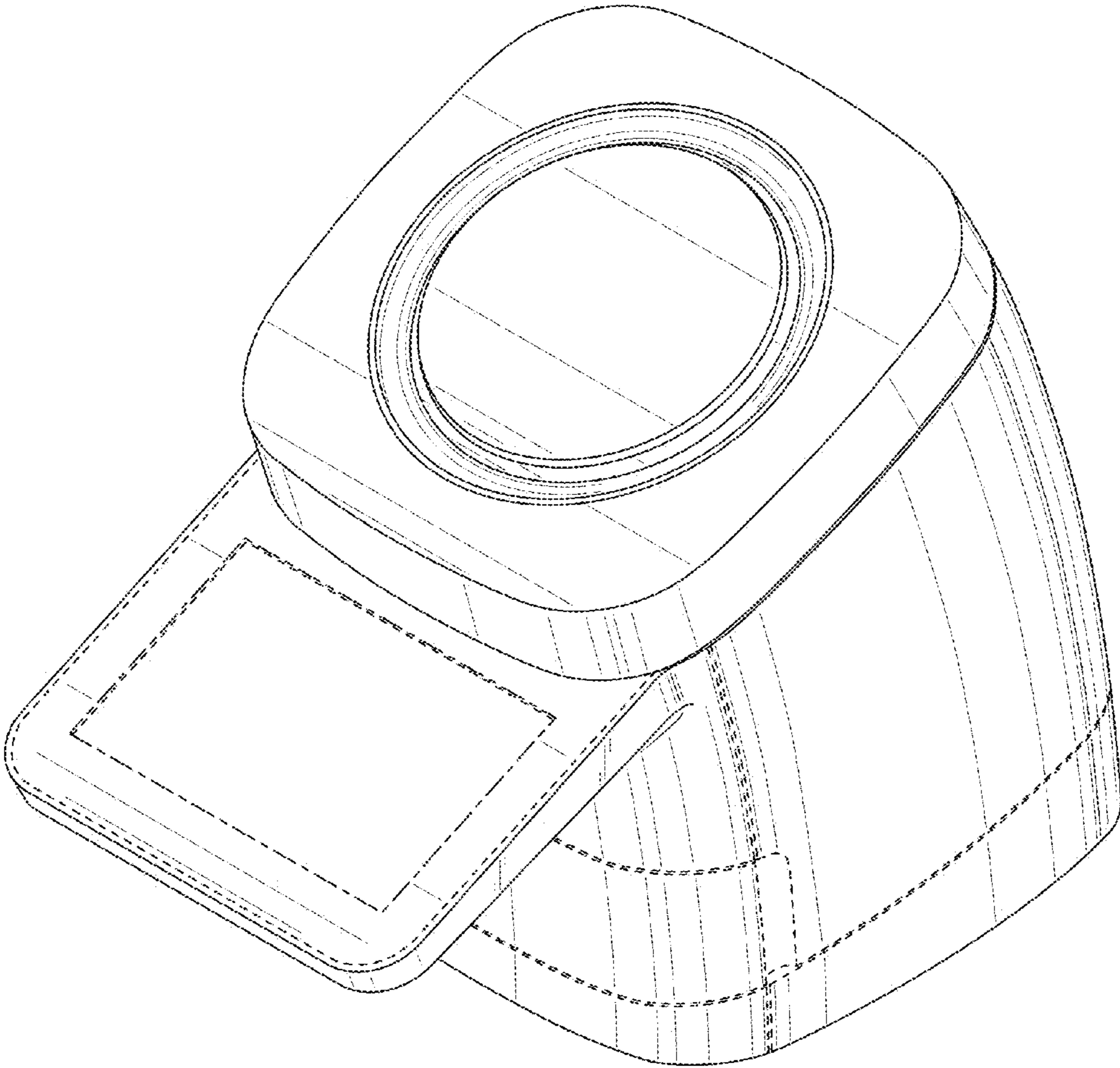


FIG. 1

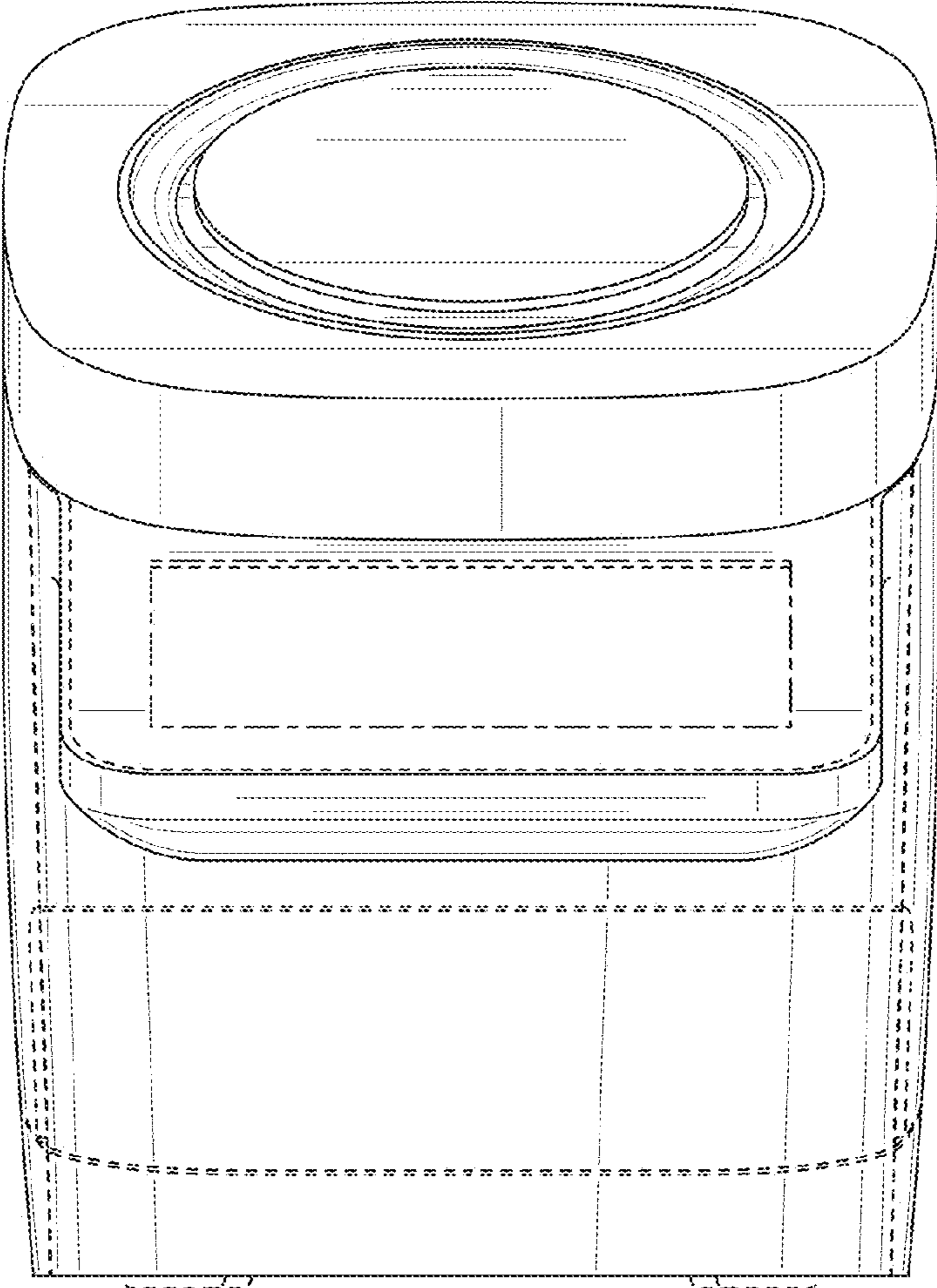


FIG. 2

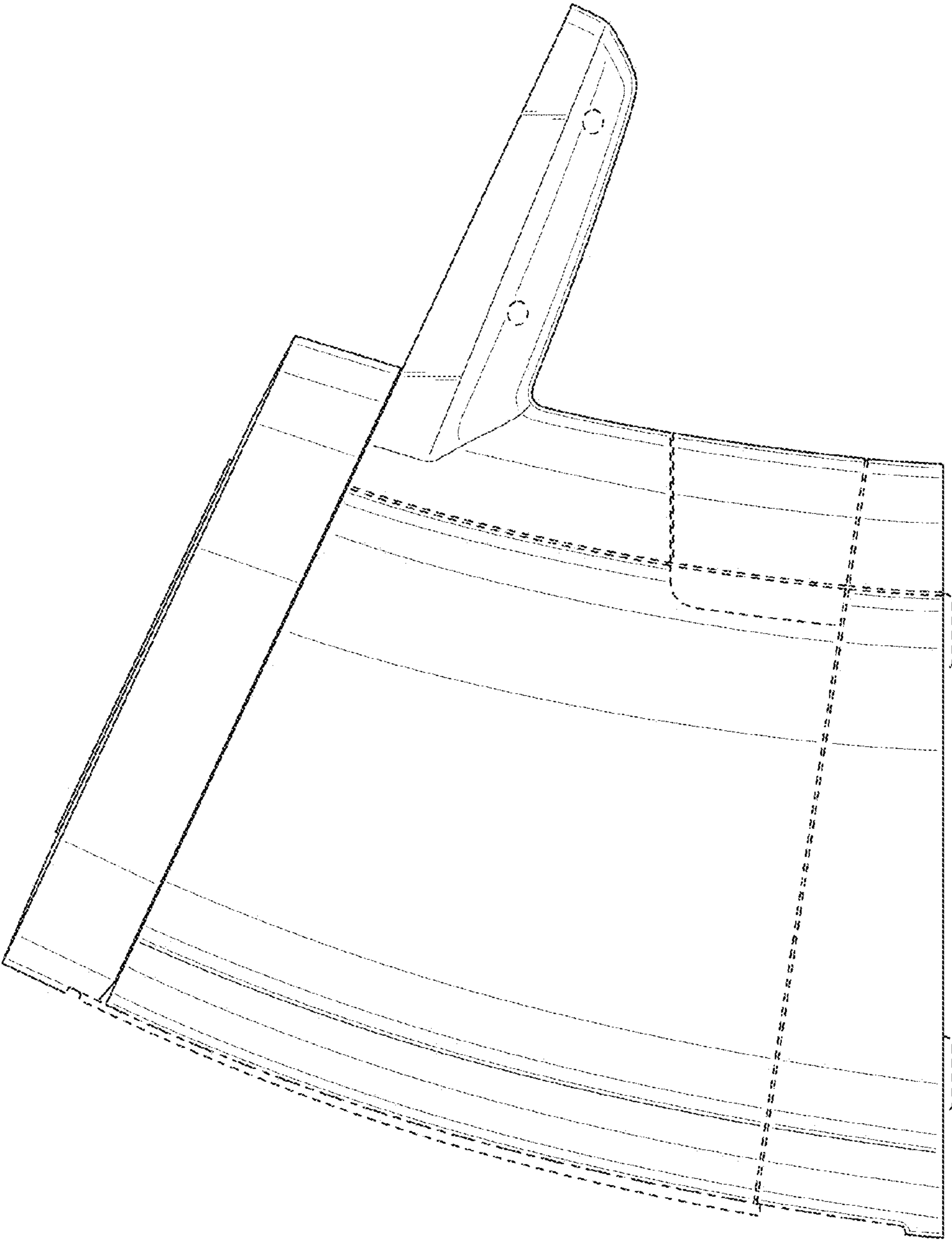


FIG. 3

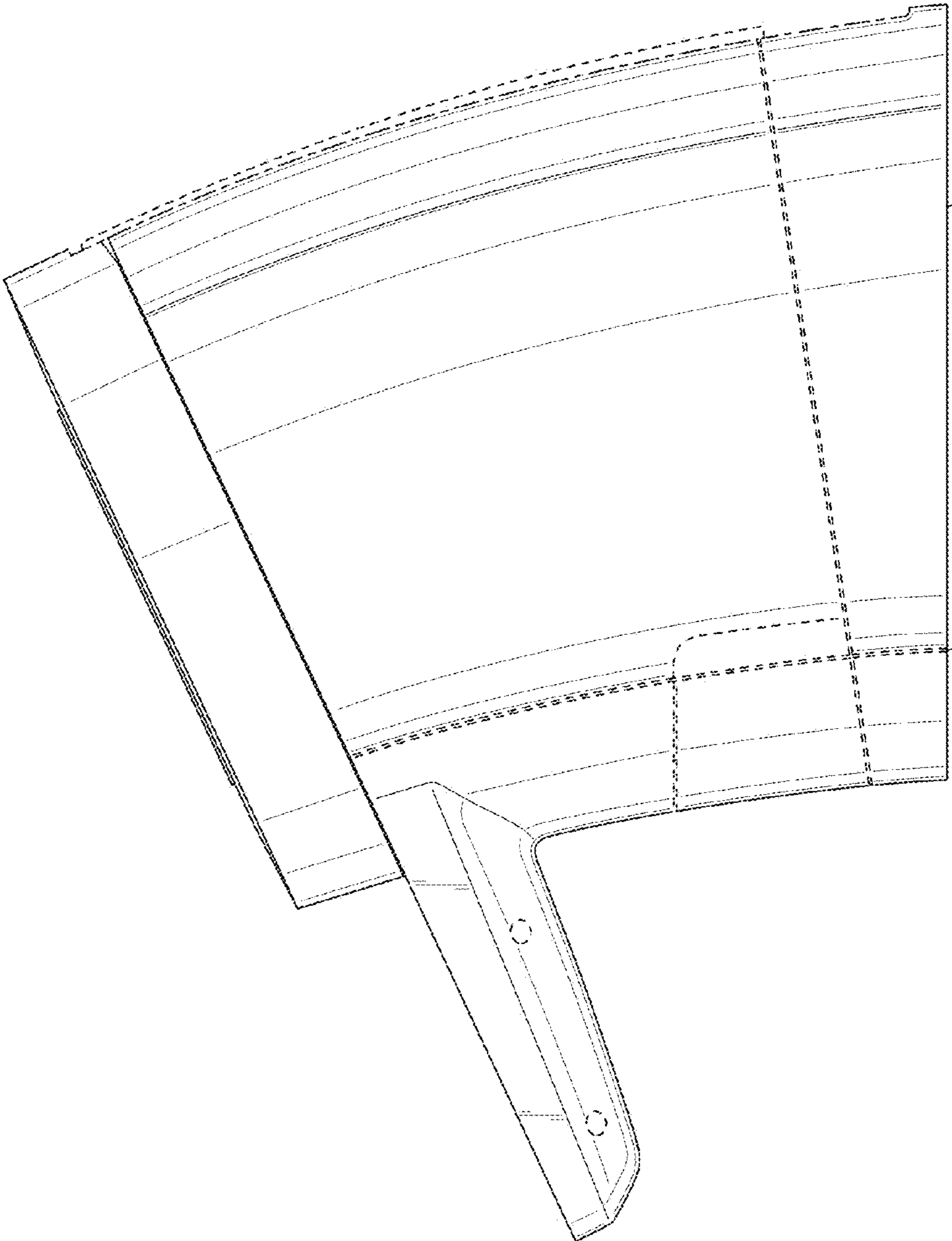


FIG. 4

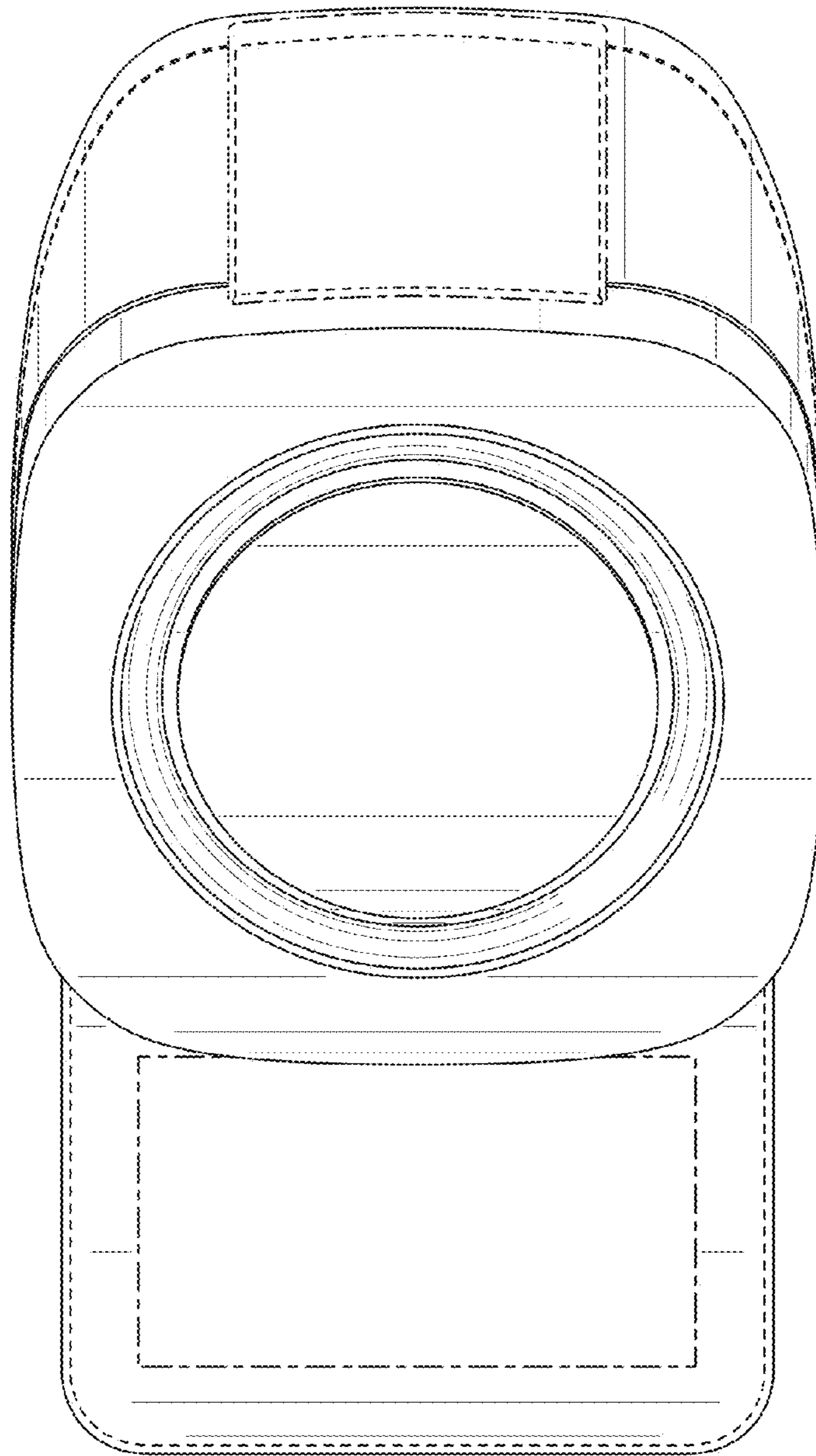


FIG. 5

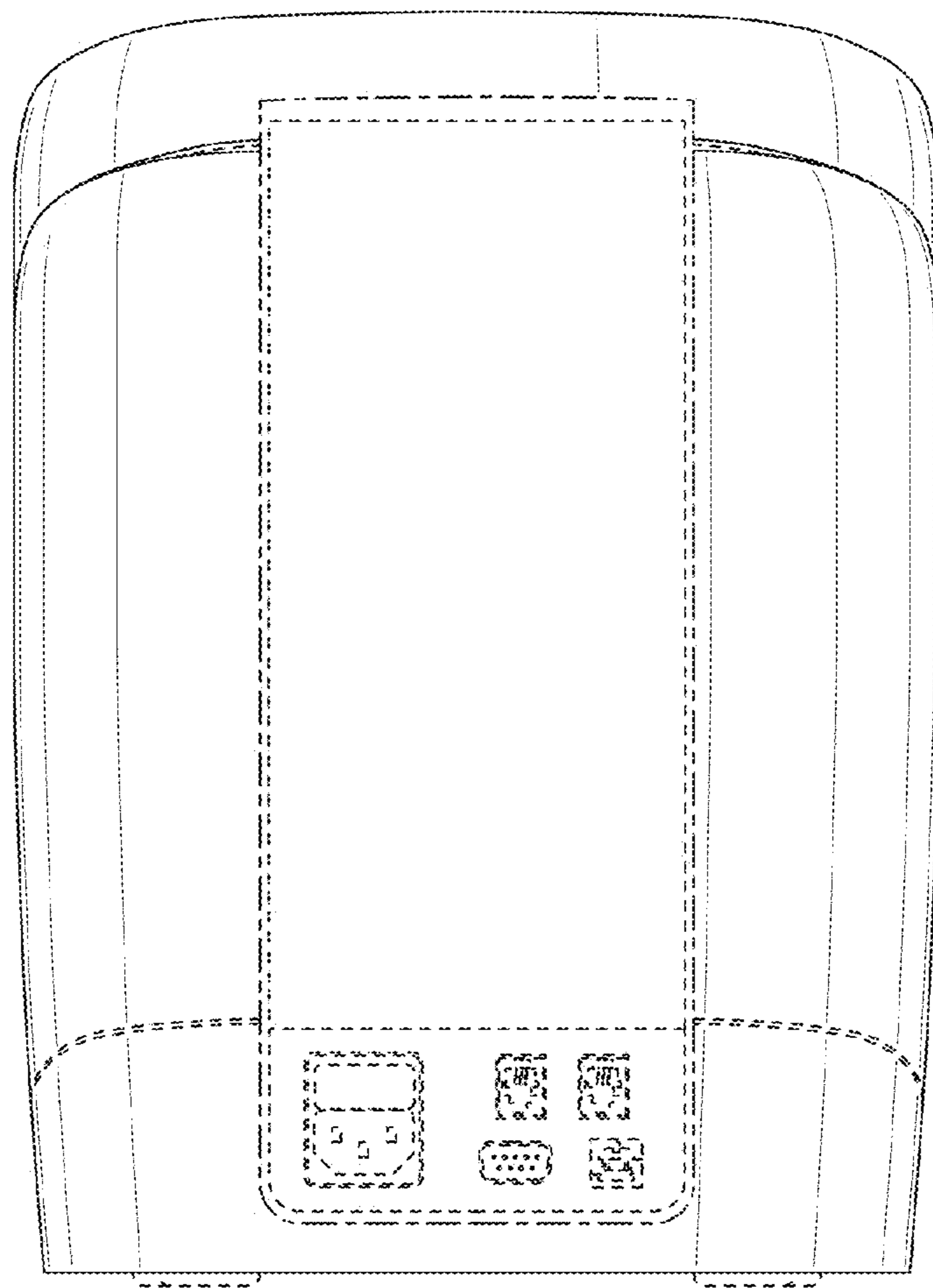


FIG. 6

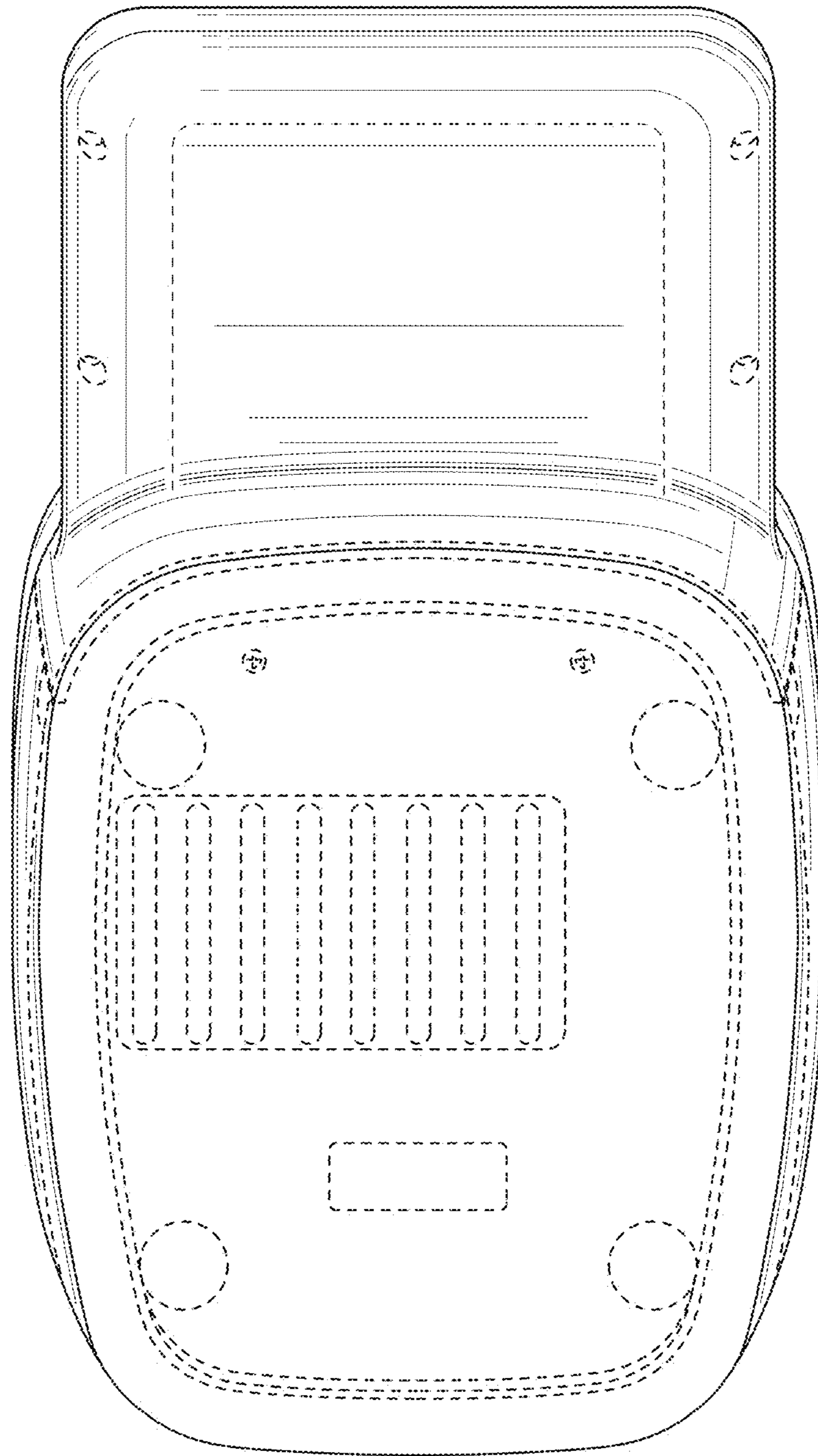


FIG. 7