



US00D734864S

(12) **United States Design Patent**
Oonuma et al.

(10) **Patent No.:** **US D734,864 S**

(45) **Date of Patent:** **** Jul. 21, 2015**

(54) **COVER FOR A SAMPLE TRANSPORTING APPARATUS**

(56) **References Cited**

U.S. PATENT DOCUMENTS

(71) Applicant: **Hitachi High-Technologies Corporation**, Tokyo (JP)
(72) Inventors: **Mitsuru Oonuma**, Tokyo (JP); **Yoko Sato**, Tokyo (JP); **Hiroyuki Noda**, Tokyo (JP); **Shinji Azuma**, Tokyo (JP); **Naoto Tsujimura**, Tokyo (JP)

D106,245 S *	9/1937	Young	D9/418
D327,203 S *	6/1992	Kahl	D7/605
D339,471 S *	9/1993	Maple et al.	D3/323
D376,260 S *	12/1996	Haley et al.	D3/323
D388,282 S *	12/1997	Floyd et al.	D7/605
6,401,484 B2 *	6/2002	Gano, III	62/457.5
D616,741 S *	6/2010	Andre et al.	D9/432
D625,430 S *	10/2010	Meyer-Hayoz	D24/229
D671,653 S *	11/2012	Kravitz et al.	D24/216
D692,573 S *	10/2013	Steinman et al.	D24/216
D692,575 S *	10/2013	Steinman et al.	D24/216

(73) Assignee: **HITACHI HIGH-TECHNOLOGIES CORPORATION**, Tokyo (JP)

* cited by examiner

(**) Term: **14 Years**

Primary Examiner — Anhdao Doan

(21) Appl. No.: **29/493,662**

(74) *Attorney, Agent, or Firm* — Baker Botts L.L.P.

(22) Filed: **Jun. 12, 2014**

(57) **CLAIM**

We claim the ornamental design for a cover for a sample transporting apparatus, as shown.

(30) **Foreign Application Priority Data**

DESCRIPTION

Dec. 13, 2013 (JP) 2013-029246

(51) **LOC (10) Cl.** **24-01**

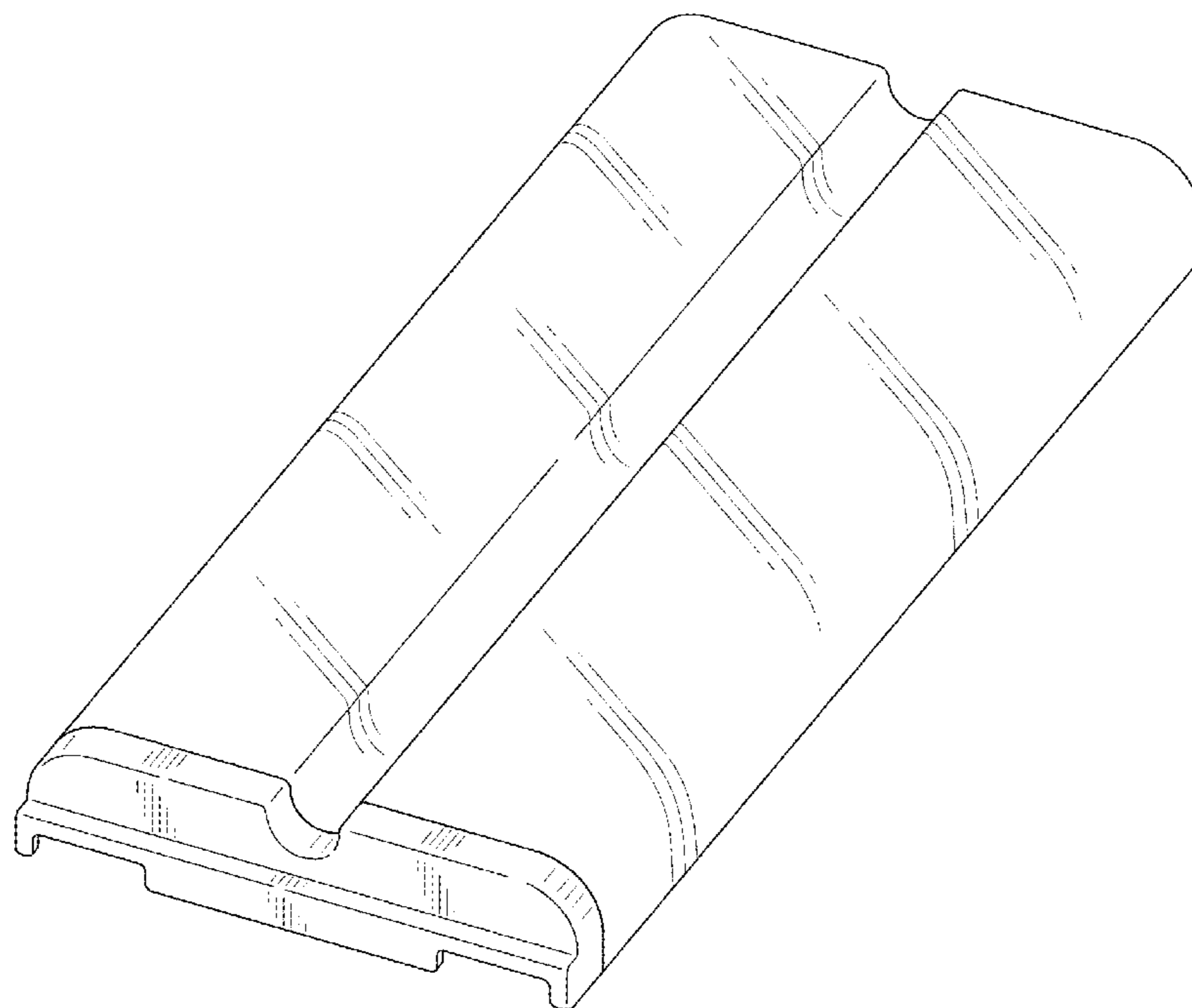
(52) **U.S. Cl.**
USPC **D24/216**

(58) **Field of Classification Search**
USPC D24/216, 231, 232, 107; D34/19, 23;
D7/605, 552.2; D15/81, 83; 62/78,
62/457.1, 457.2, 457.9; 435/1.1, 1.2, 1.3,
435/284.1; D3/323, 326, 273; D6/440;
D9/435, 439, 443; D30/107

FIG. 1 is a front, top and left side perspective view of a cover for a sample transporting apparatus showing our new design; FIG. 2 is a front elevational view thereof; FIG. 3 is a rear elevational view thereof; FIG. 4 is a left side elevational view thereof; FIG. 5 is a right side elevational view thereof; FIG. 6 is a top plan view thereof; FIG. 7 is a bottom plan view thereof; and, FIG. 8 is a cross sectional view taken along the lines 8-8 of FIG. 2 thereof.

See application file for complete search history.

1 Claim, 5 Drawing Sheets



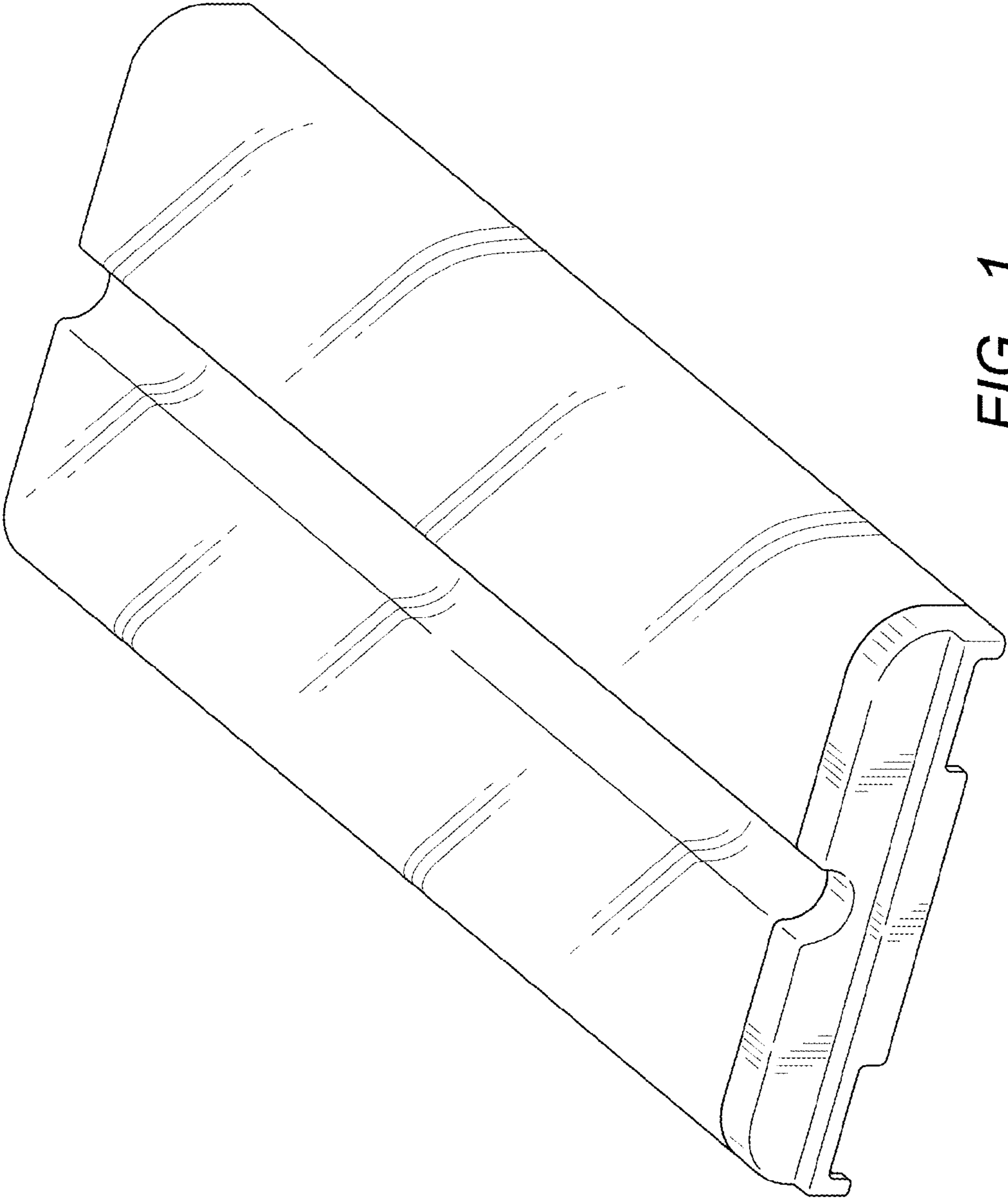
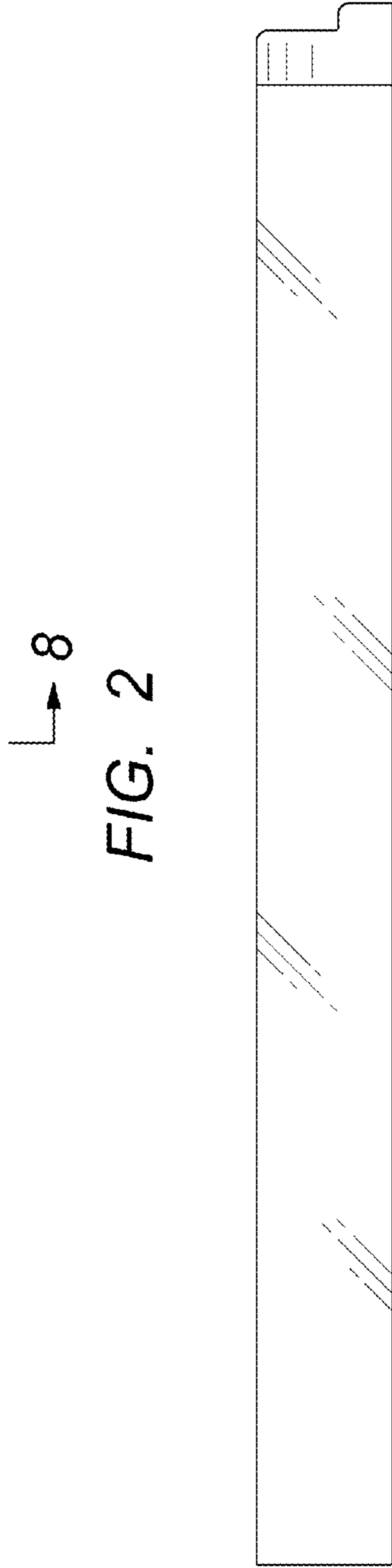
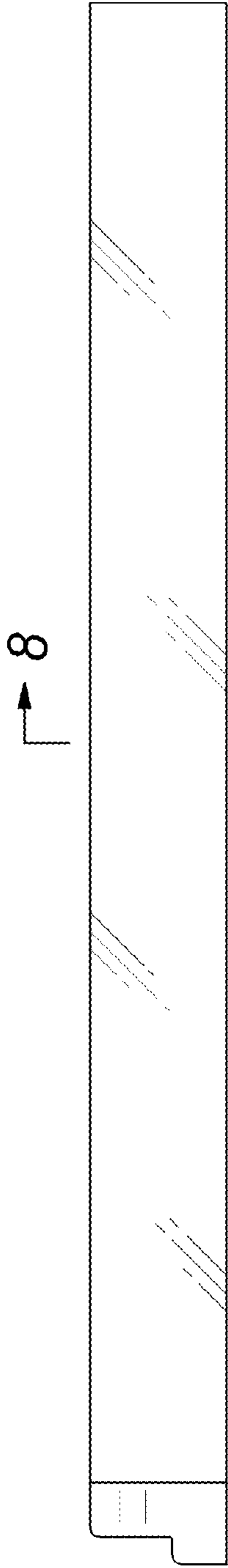


FIG. 1



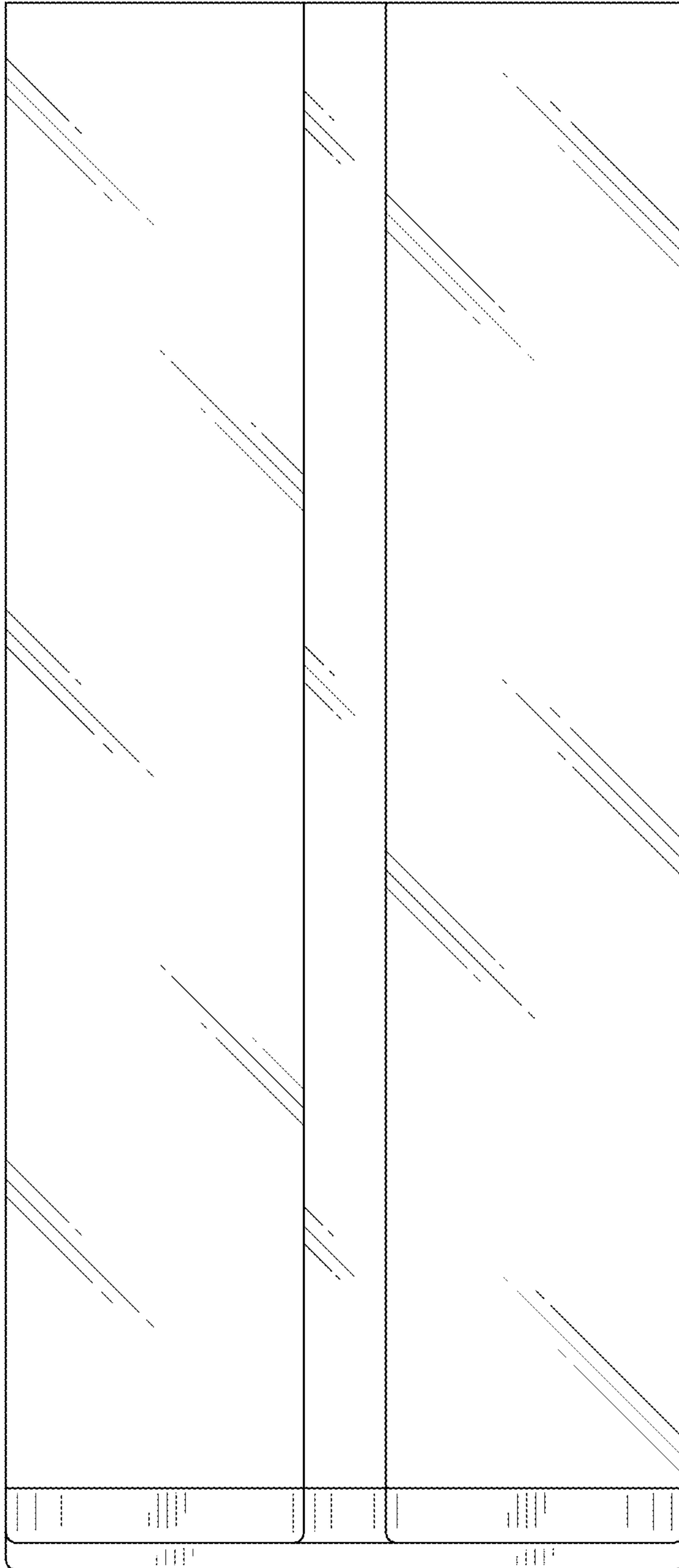


FIG. 6

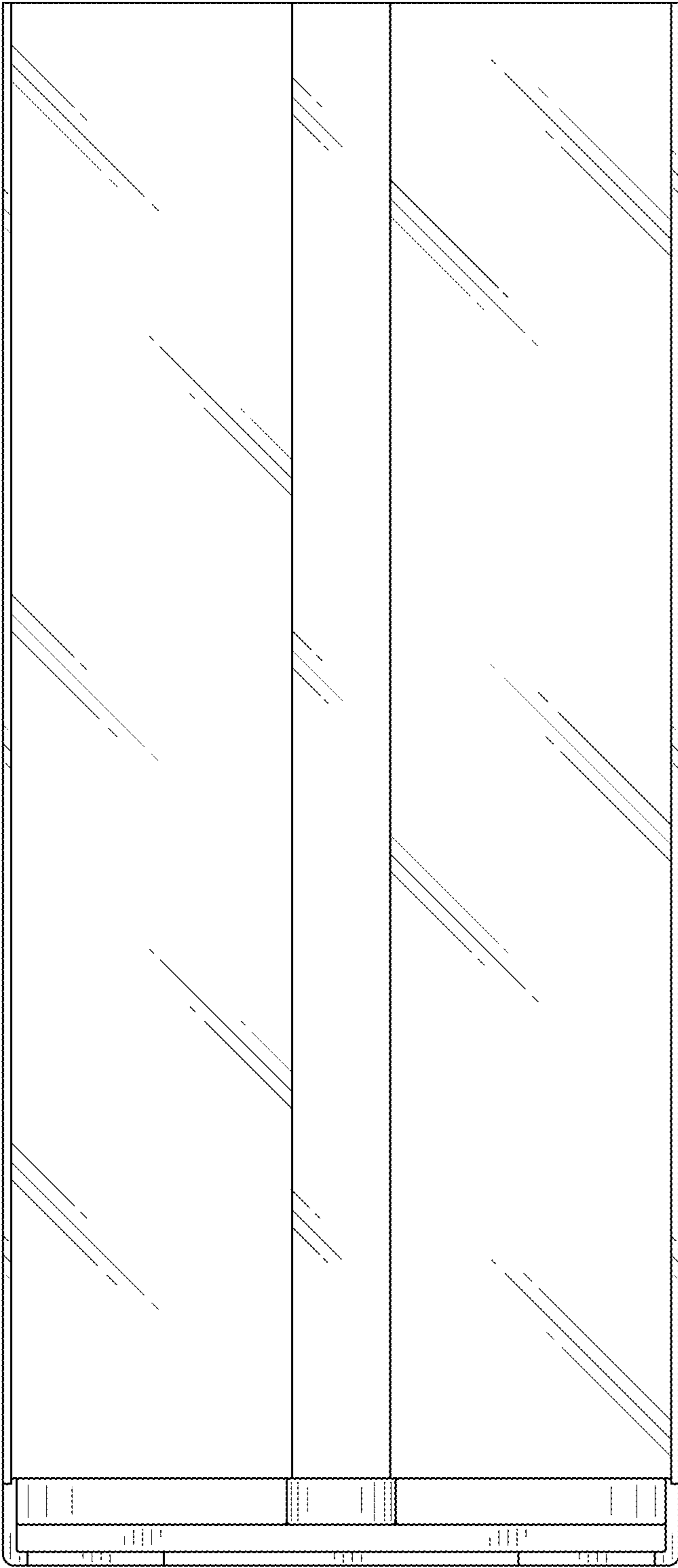


FIG. 7

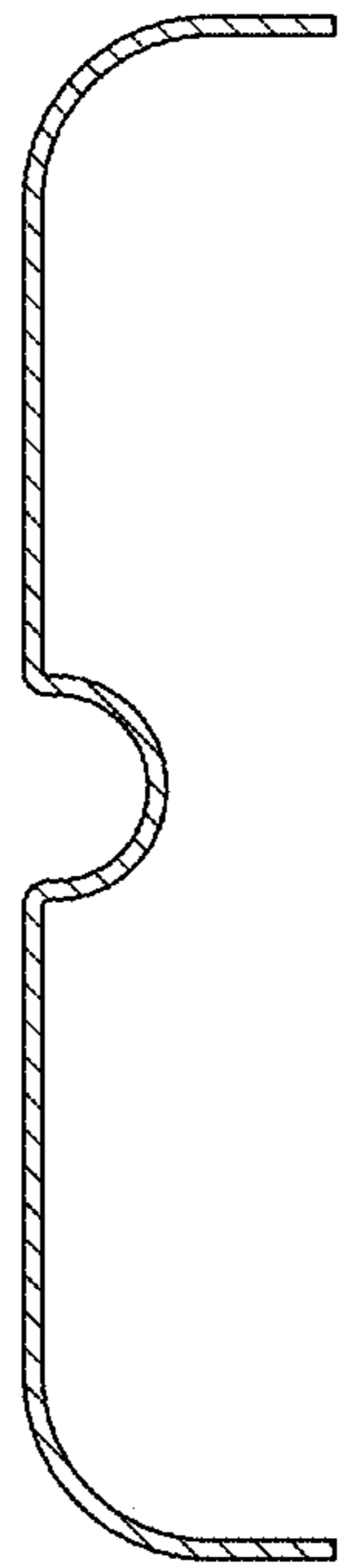


FIG. 8