

US00D734862S

(12) **United States Design Patent**  
**Lee**

(10) **Patent No.:** **US D734,862 S**  
(45) **Date of Patent:** **\*\* Jul. 21, 2015**

(54) **LOWER BODY SAUNA**  
(71) Applicant: **Sang Won Lee**, Yorba Linda, CA (US)  
(72) Inventor: **Sang Won Lee**, Yorba Linda, CA (US)  
(\*\*) Term: **14 Years**  
(21) Appl. No.: **29/493,421**  
(22) Filed: **Jun. 9, 2014**  
(51) **LOC (10) Cl.** ..... **24-02**  
(52) **U.S. Cl.**  
USPC ..... **D24/203**  
(58) **Field of Classification Search**  
USPC ..... D24/201-205; 4/524, 526, 528, 531,  
4/532  
See application file for complete search history.

6,965,097 B2 \* 11/2005 Lee ..... 219/492  
D548,848 S \* 8/2007 Schwarzenberger  
et al. .... D24/203  
7,458,111 B2 \* 12/2008 Sappenfield et al. .... 4/524  
7,784,118 B2 \* 8/2010 Lee ..... 4/531  
7,784,120 B2 \* 8/2010 Spicer ..... 4/592  
D663,855 S \* 7/2012 Zack et al. .... D24/203

\* cited by examiner

*Primary Examiner* — David Muller  
(74) *Attorney, Agent, or Firm* — John K. Park; Park Law Firm

(57) **CLAIM**  
The ornamental design for a lower body sauna, as shown and described.

**DESCRIPTION**

FIG. 1 is a perspective view of a lower body sauna showing my new design;  
FIG. 2 is a side view thereof;  
FIG. 3 is a front view thereof;  
FIG. 4 is a rear view thereof;  
FIG. 5 is a top plan view thereof; and,  
FIG. 6 is a bottom view thereof.  
The dashed lines immediately adjacent to the claimed areas in FIGS. 1 and 5 represent the boundaries of the claimed design.

(56) **References Cited**  
U.S. PATENT DOCUMENTS  
D255,267 S \* 6/1980 Sinaiko ..... D24/205  
D257,490 S \* 11/1980 Davis ..... D24/202  
D271,523 S \* 11/1983 Richburg ..... D24/204  
5,117,481 A \* 5/1992 Sung ..... 392/416  
D341,425 S \* 11/1993 Lee ..... D24/203  
5,446,929 A \* 9/1995 Sills et al. .... 4/555  
D455,497 S \* 4/2002 Jensen et al. .... D24/203

**1 Claim, 4 Drawing Sheets**

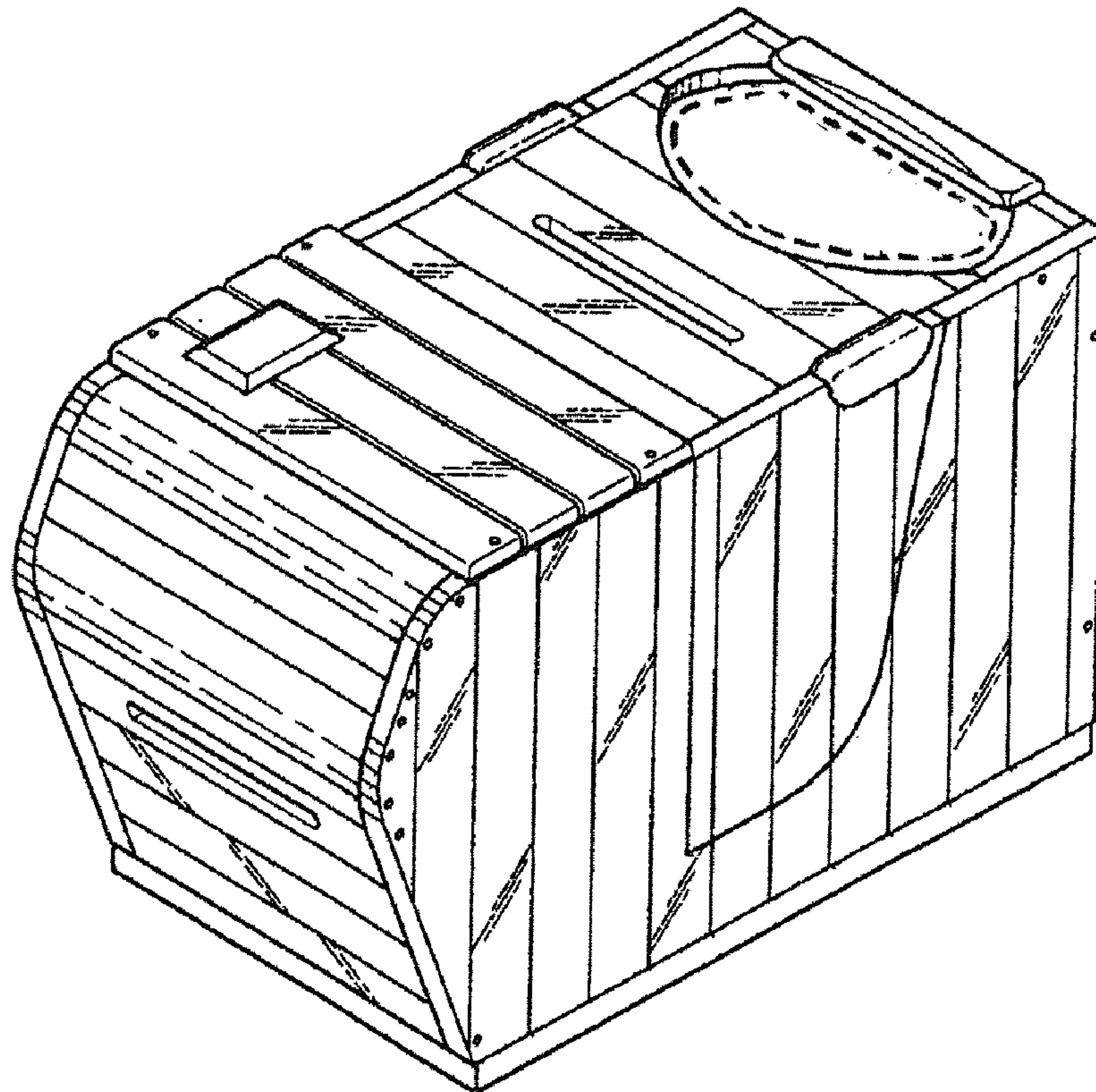


FIG. 1

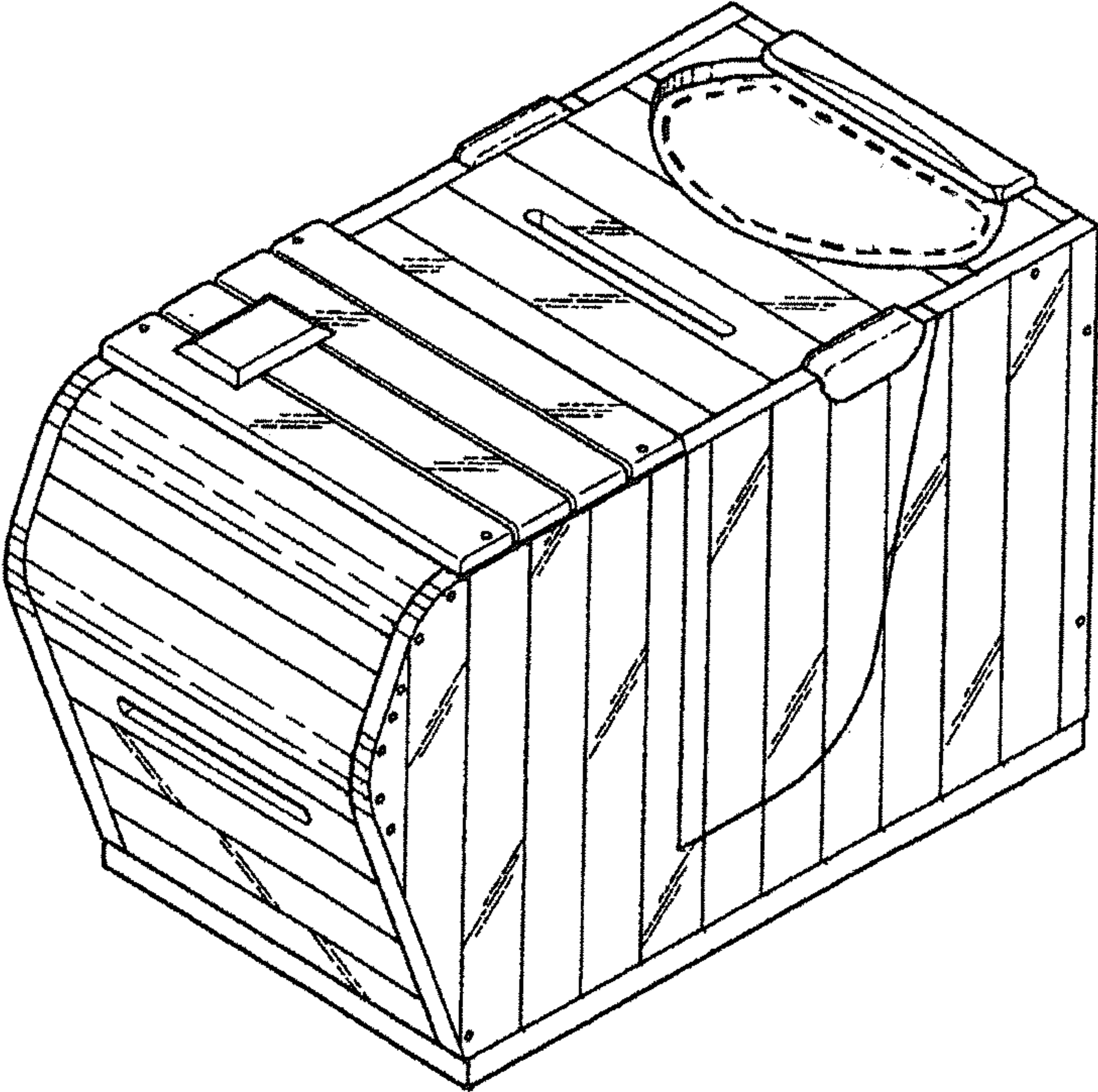


FIG. 2

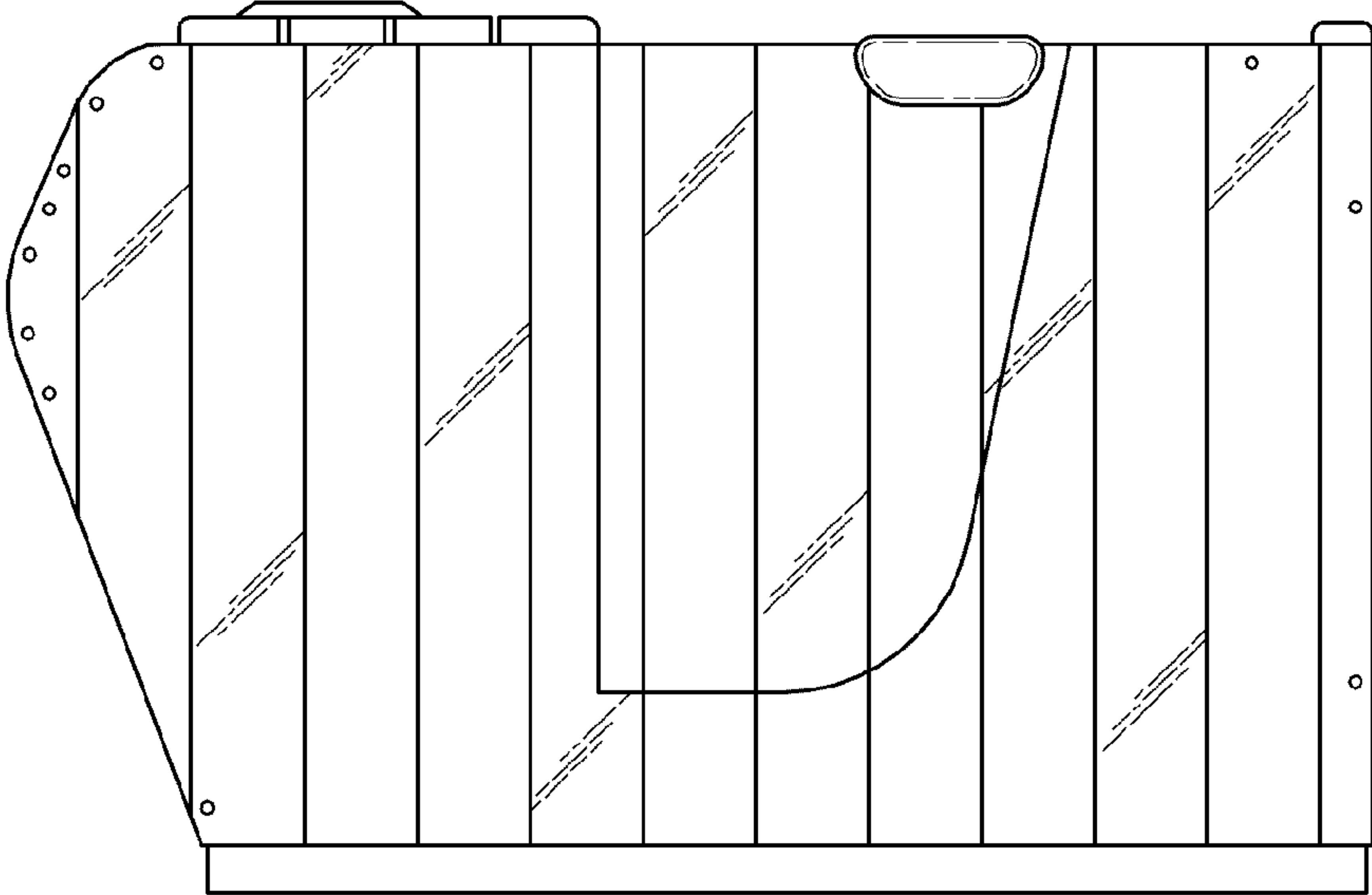


FIG. 3

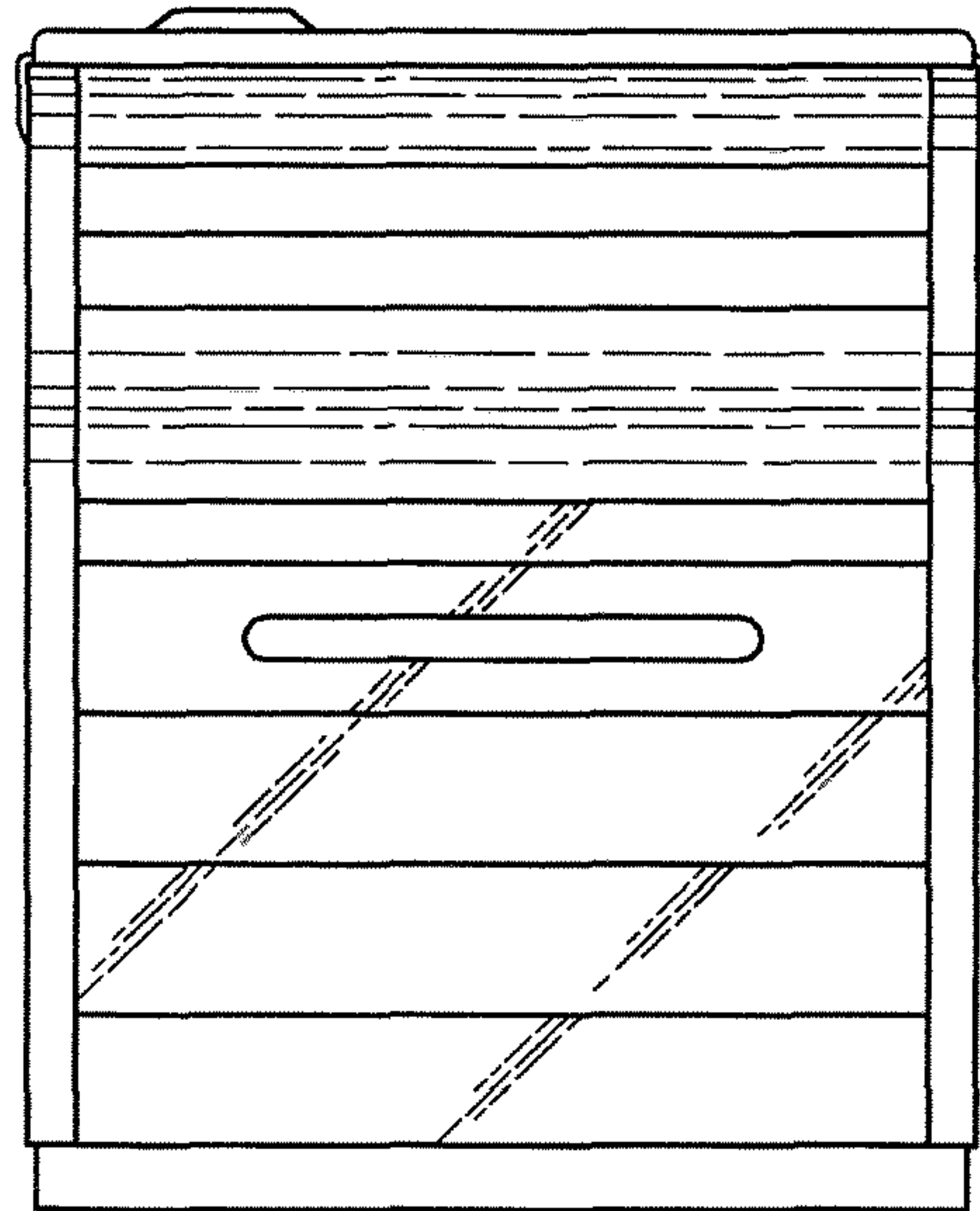


FIG. 4

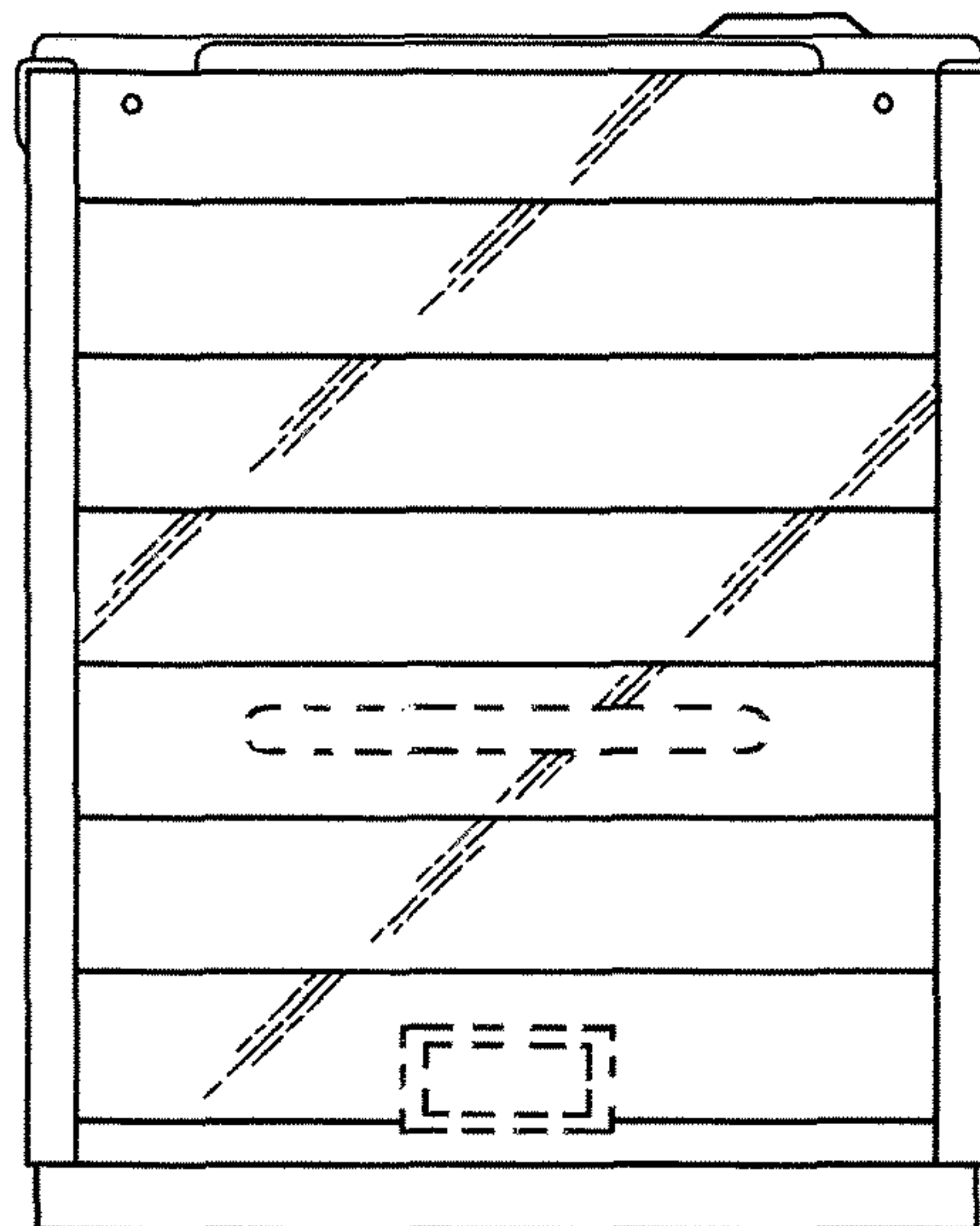




FIG. 5

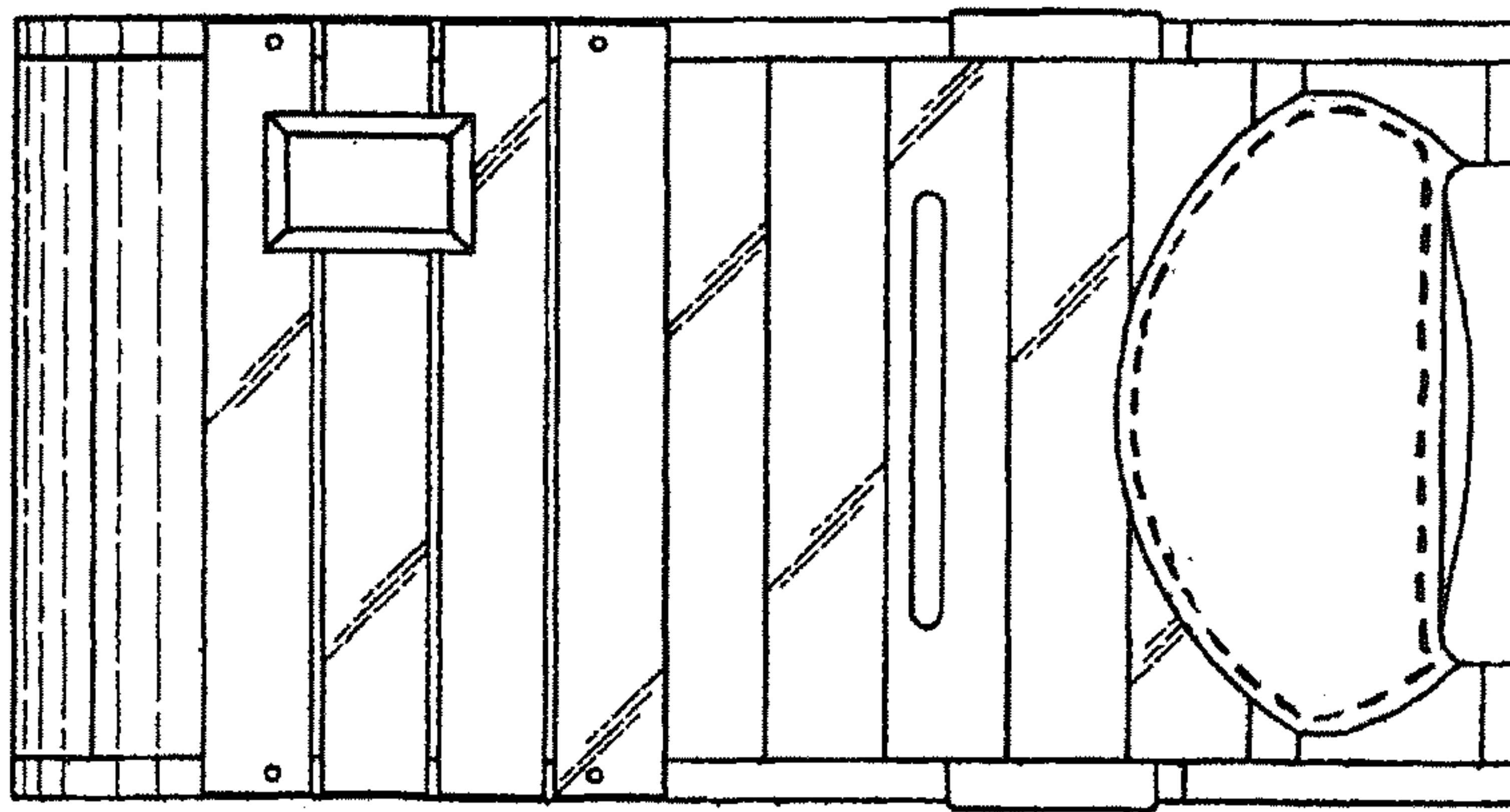


FIG. 6

