

US00D734861S

(12) **United States Design Patent**
Johnson et al.

(10) **Patent No.:** **US D734,861 S**
(45) **Date of Patent:** **** Jul. 21, 2015**

(54) **FRONT FACE FOR AN ILLUMINATING WATER BUBBLER**

(75) Inventors: **Bruce Johnson**, Lighthouse Point, FL (US); **Kevin Doyle**, Delray Bch, FL (US)

(73) Assignee: **Pentair Water Pool and Spa, Inc.**, Sanford, NC (US)

(**) Term: **14 Years**

(21) Appl. No.: **29/388,463**

(22) Filed: **Mar. 29, 2011**

Related U.S. Application Data

(62) Division of application No. 29/359,455, filed on Apr. 12, 2010, now Pat. No. Des. 690,389.

(51) **LOC (10) Cl.** **24-04**

(52) **U.S. Cl.**
USPC **D24/201**

(58) **Field of Classification Search**
USPC D24/201, 204, 205, 200; D23/277, 254, D23/269, 213, 262, 266, 386, 393; 601/154-160, 169, 167, 134; 4/541.1-541.6, 547, 578.1, 579; 277/606, 626, 602; 55/502, 506, 55/DIG. 26; 248/62-64; 204/298.11, 204/298.02

See application file for complete search history.

(56) **References Cited**

U.S. PATENT DOCUMENTS

1,342,001	A *	6/1920	Schulte	429/121
2,212,766	A *	8/1940	Andelenis	473/588
4,040,284	A *	8/1977	Fuchs, Jr.	72/272
4,228,873	A *	10/1980	Nyborg, Jr.	187/314
4,490,998	A *	1/1985	Wellekens	70/419
4,516,749	A *	5/1985	Sullivan	248/56

4,551,857	A *	11/1985	Galvin	2/7
4,698,010	A *	10/1987	Toncelli	425/200
4,819,689	A *	4/1989	Owsley et al.	137/512.1
5,150,886	A *	9/1992	Hamberg et al.	267/220
D346,429	S *	4/1994	Warshawsky	D23/213
D355,242	S *	2/1995	Warshawsky	D23/213
5,431,582	A *	7/1995	Carvalho et al.	439/372
5,457,607	A *	10/1995	Carvalho	361/740
D366,947	S *	2/1996	Brown	D26/37
D378,578	S *	3/1997	Eberhardt	D10/104.1
D428,155	S *	7/2000	Chalberg et al.	D24/204
D447,649	S *	9/2001	Mason	D6/495
D481,562	S *	11/2003	Shilling et al.	D6/495
6,837,974	B2 *	1/2005	Lawson et al.	204/298.11

(Continued)

Primary Examiner — David Muller

(74) *Attorney, Agent, or Firm* — Quarles & Brady LLP

(57) **CLAIM**

The ornamental design for a front face for an illuminating water bubbler, as shown and described.

DESCRIPTION

FIG. 1 is a top perspective view of a first embodiment of our ornamental design for a front face for an illuminating water bubbler;

FIG. 2 is a top view of the embodiment of FIG. 1;

FIG. 3 is a back view of the embodiment of FIG. 1;

FIG. 4 is a front view of the embodiment of FIG. 1;

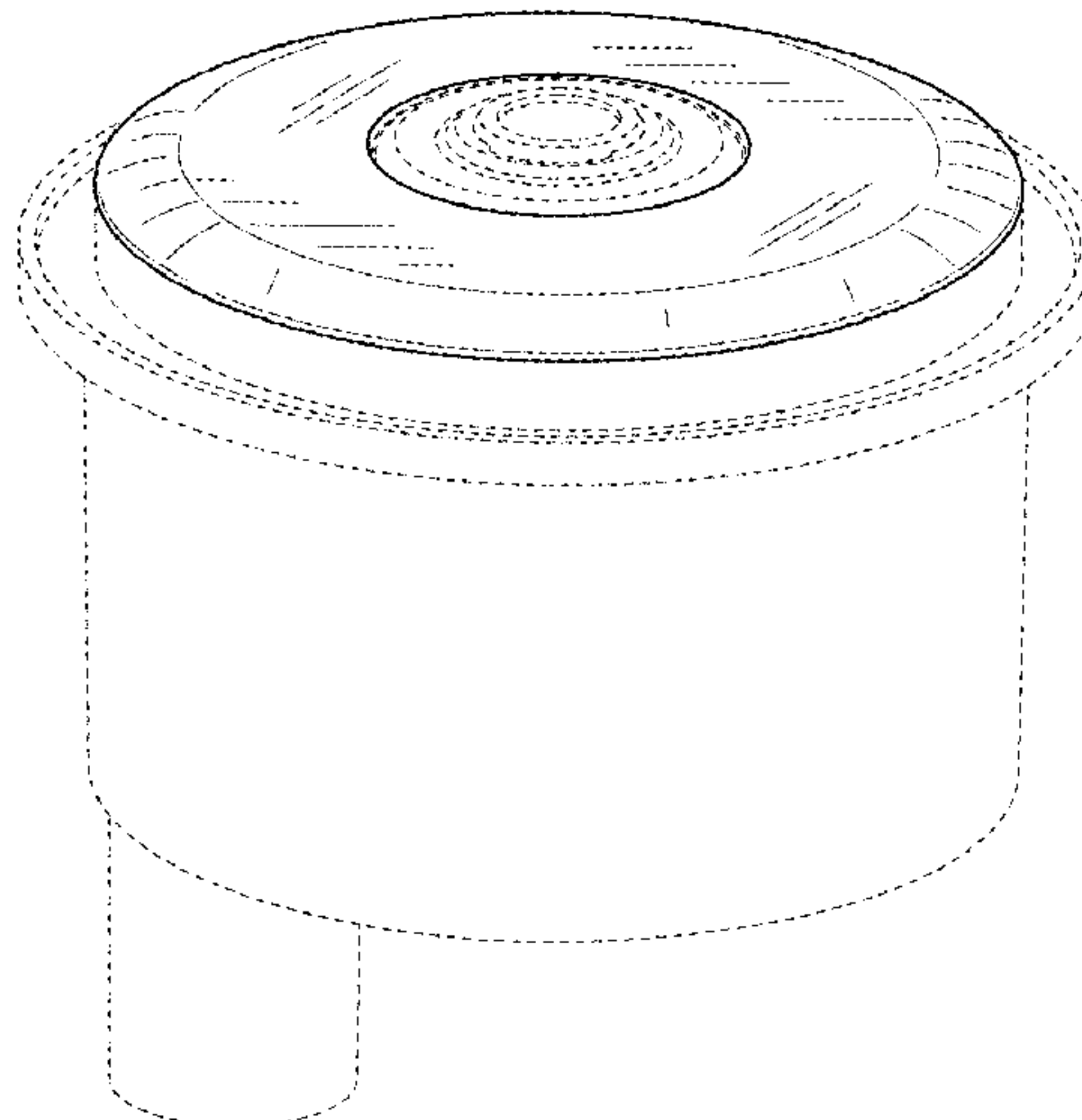
FIG. 5 is a left side view of the embodiment of FIG. 1;

FIG. 6 is a right side view of the embodiment of FIG. 1; and,

FIG. 7 is a top perspective view of the embodiment of FIG. 1 as installed in an exemplary position of use in a swimming pool.

The structures shown in broken lines in FIGS. 1-7 form no part of the claimed design and are included only to illustrate an environment. The bottom portions of the front face for the illuminating water bubbler, which are not shown in the drawings, form no part of the claimed design.

1 Claim, 7 Drawing Sheets



US D734,861 S

Page 2

(56)

References Cited

U.S. PATENT DOCUMENTS

7,182,739 B2 * 2/2007 Kopanic et al. 601/15
D571,639 S * 6/2008 Whitney, Jr. D8/352
D581,089 S * 11/2008 St-Hilaire D26/118

D598,959 S * 8/2009 Kiddoo D21/385
D644,781 S * 9/2011 Kawagoe et al. D26/120
D655,820 S * 3/2012 Thomas D24/204
2003/0007360 A1 * 1/2003 Hsieh 362/411
2008/0211226 A1 * 9/2008 Whitney 285/46

* cited by examiner

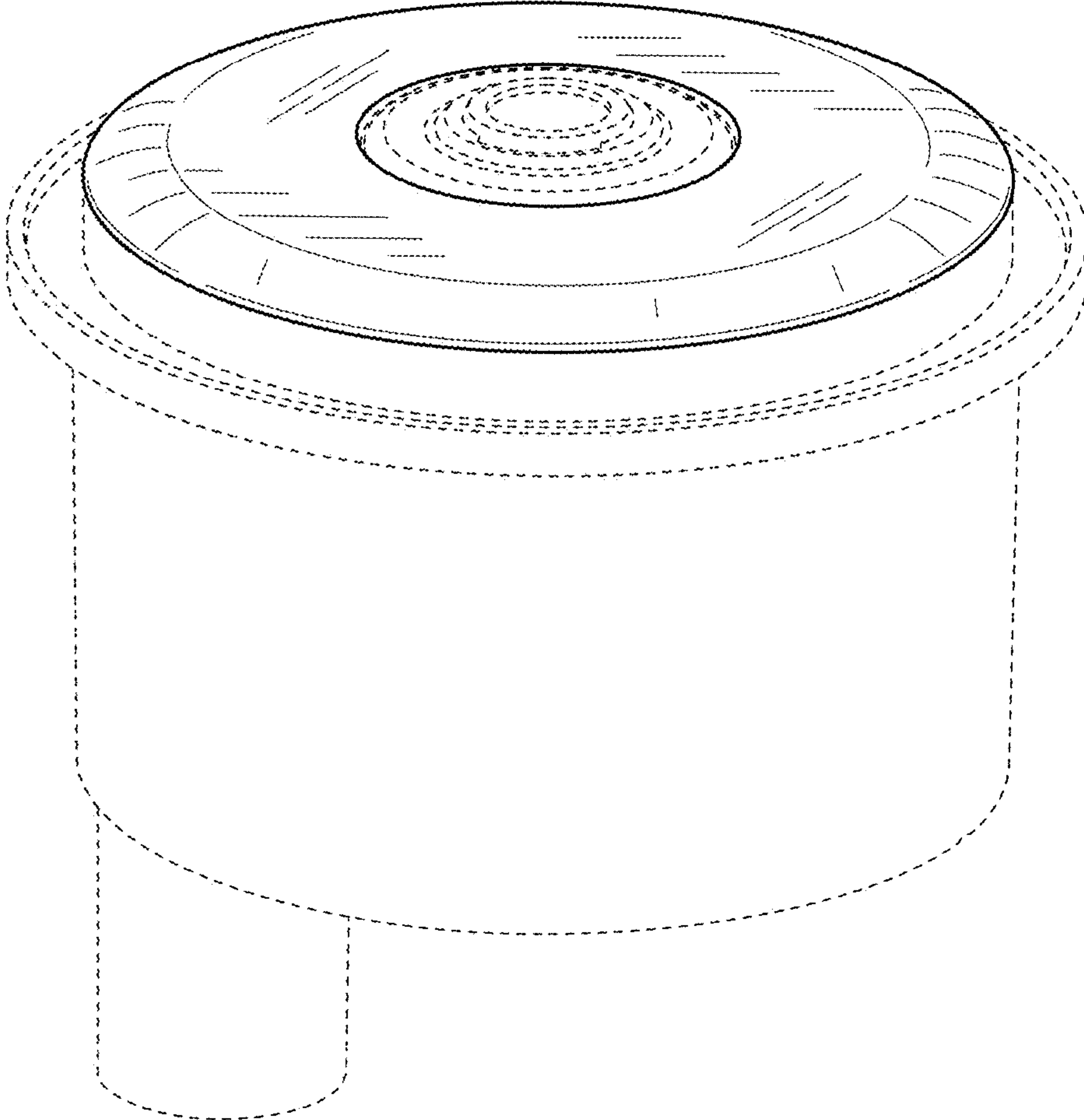


FIG. 1

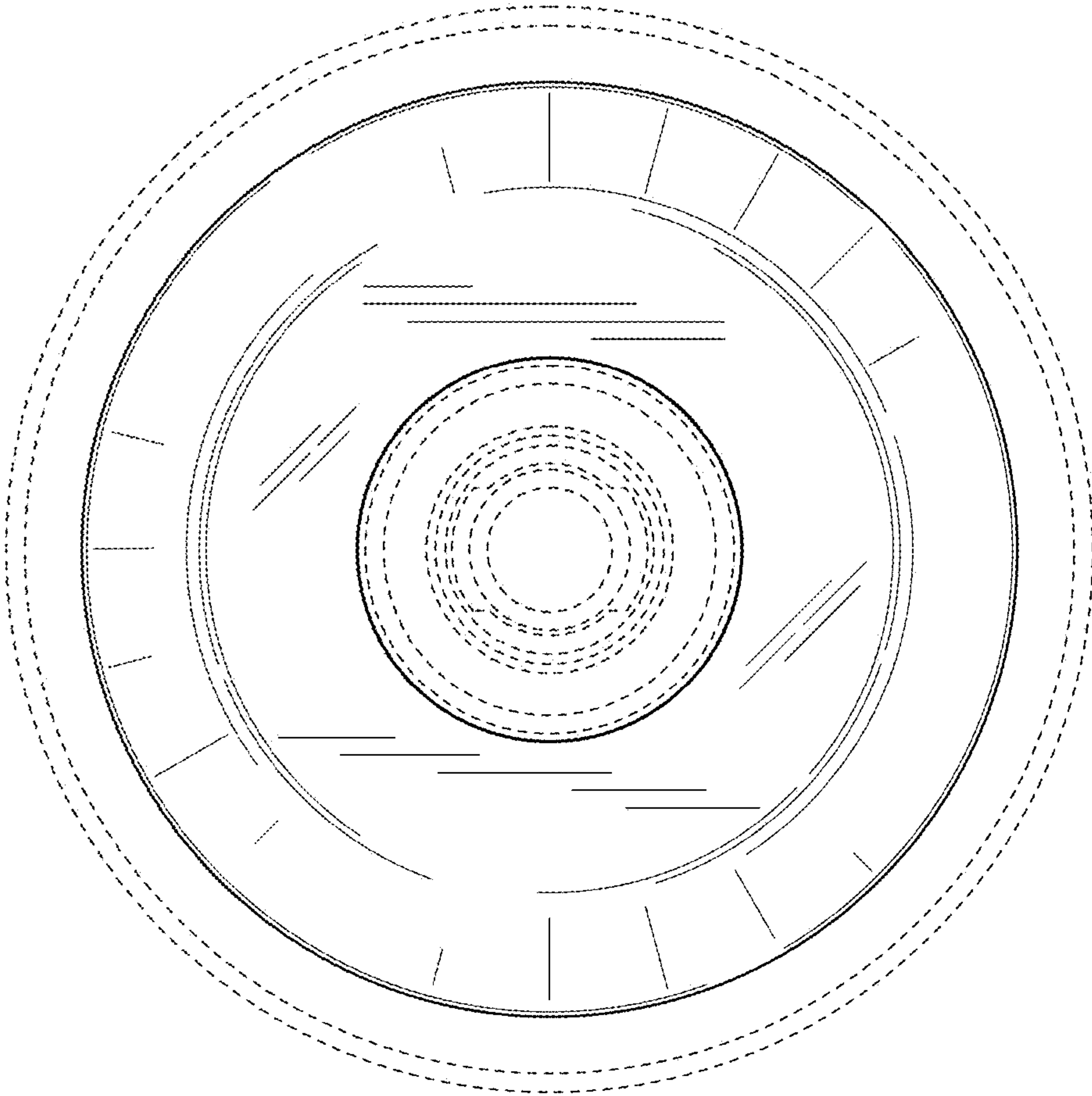


FIG. 2

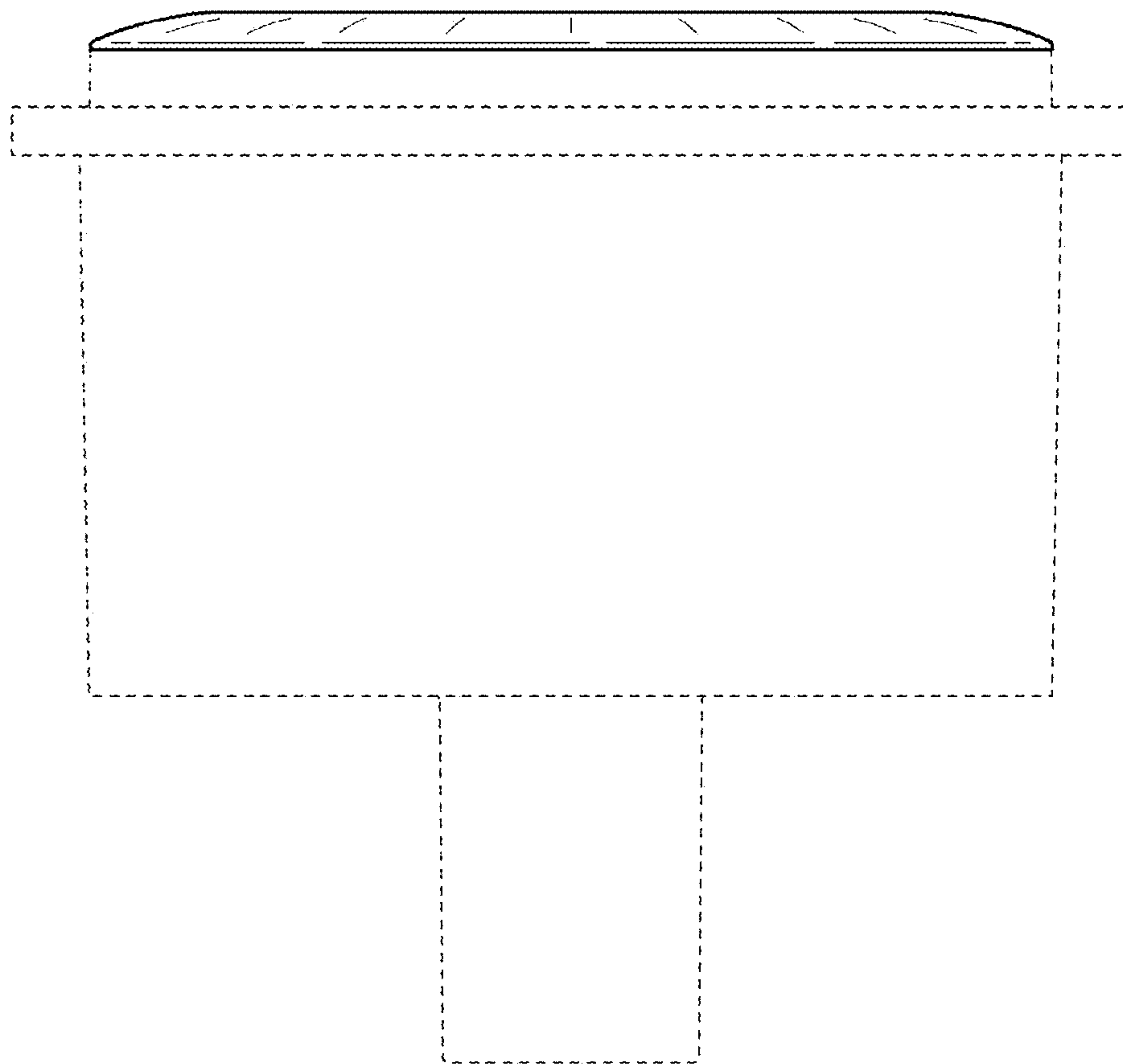


FIG. 3

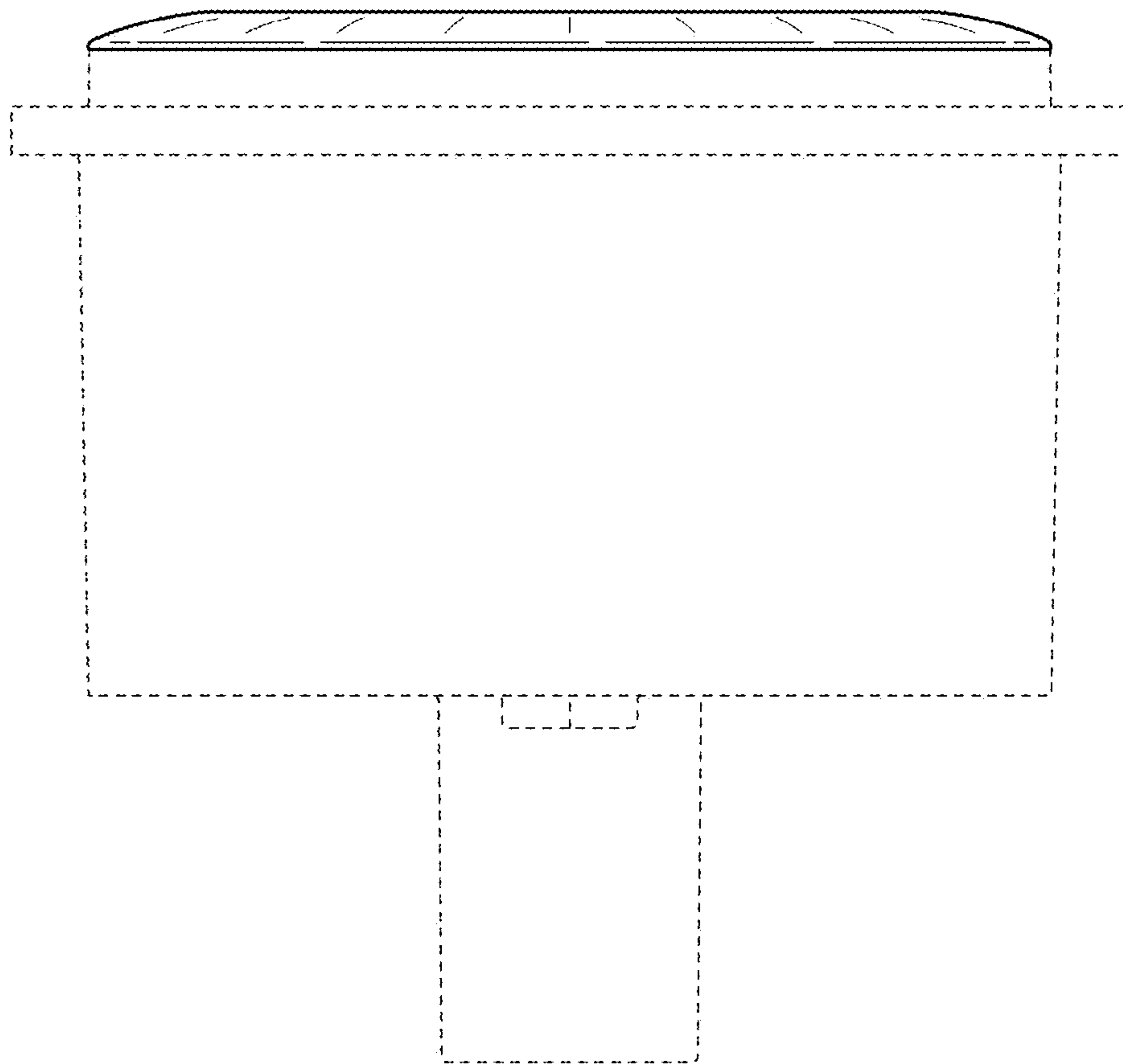


FIG. 4

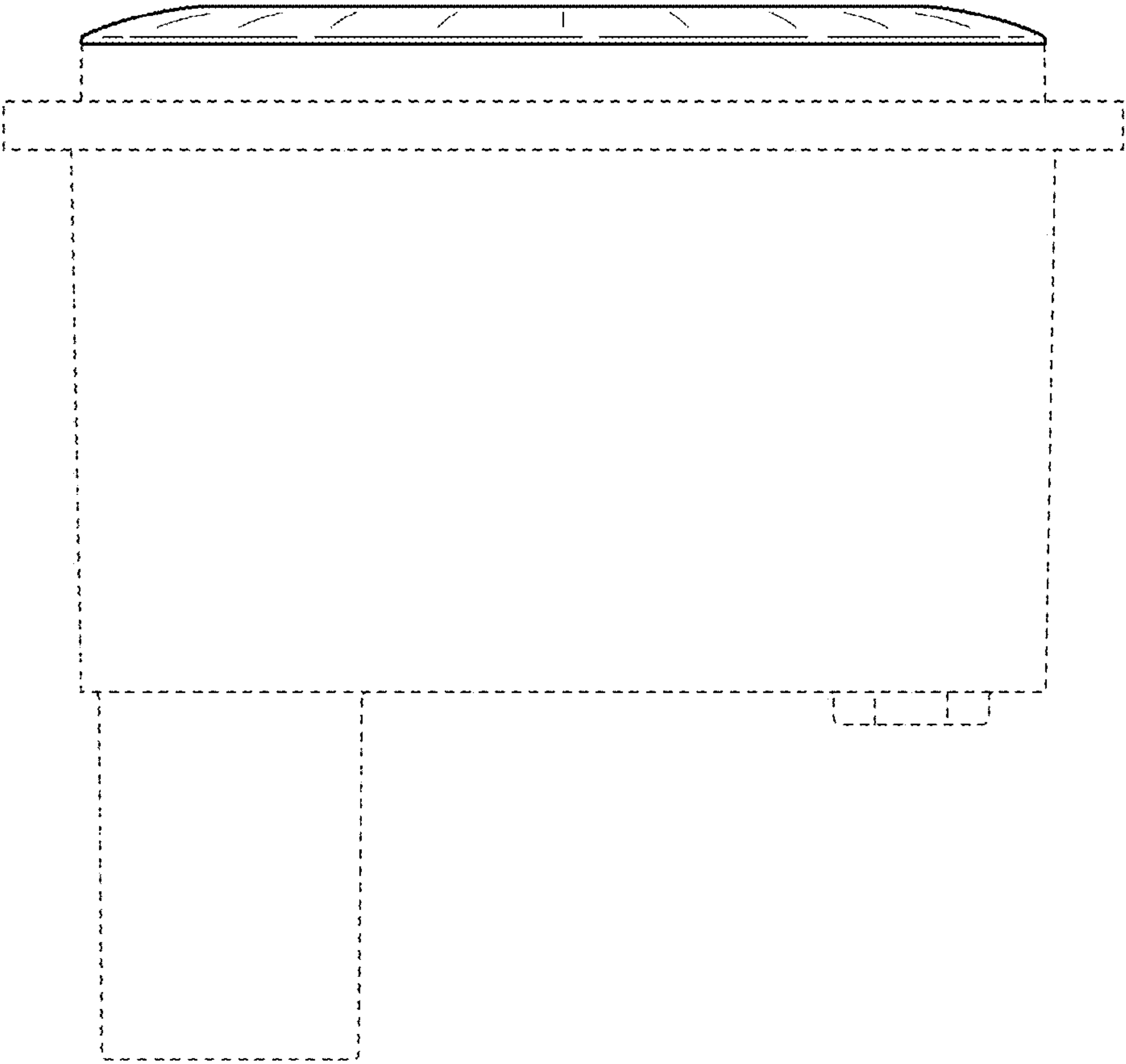


FIG. 5

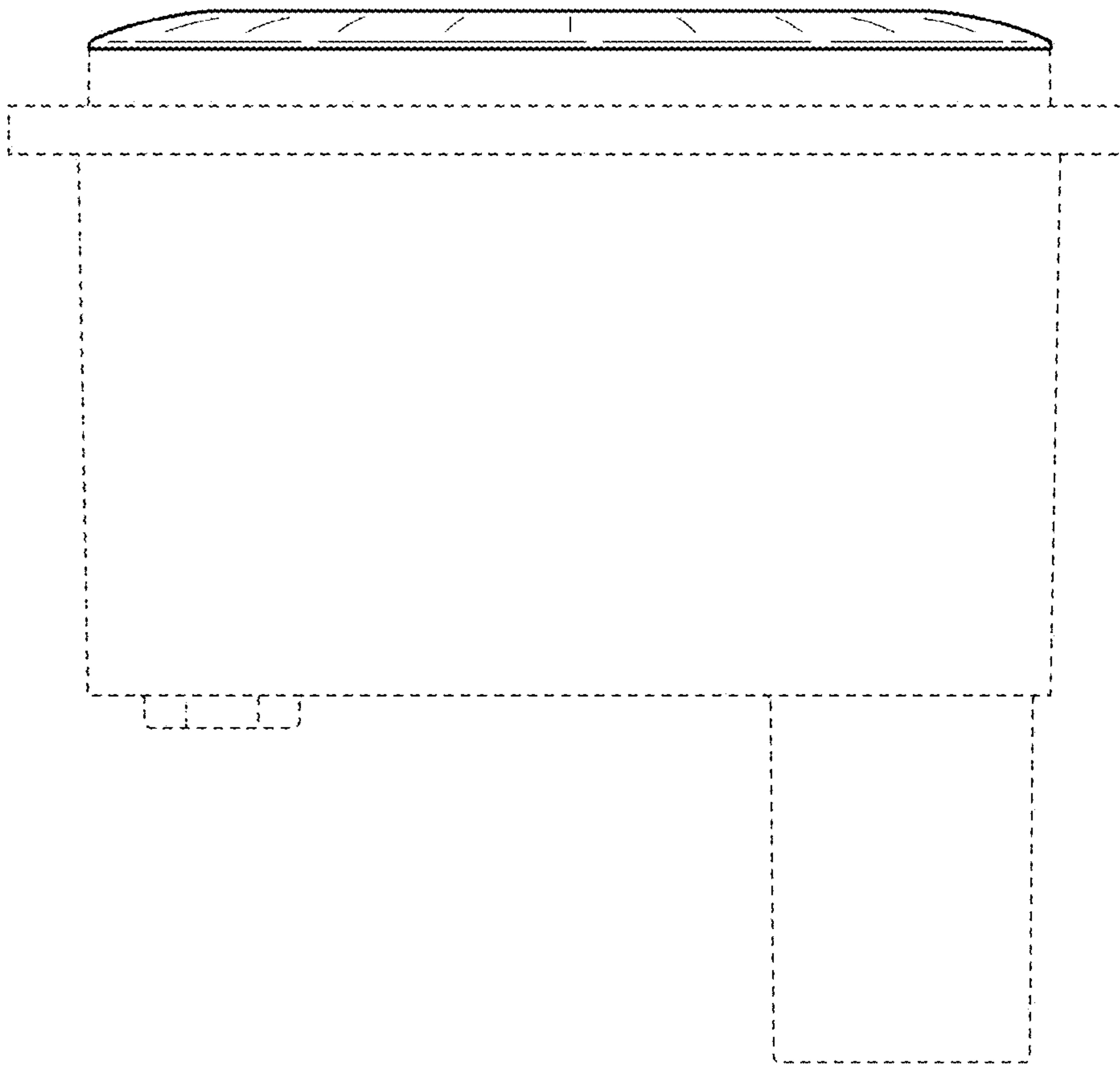


FIG. 6

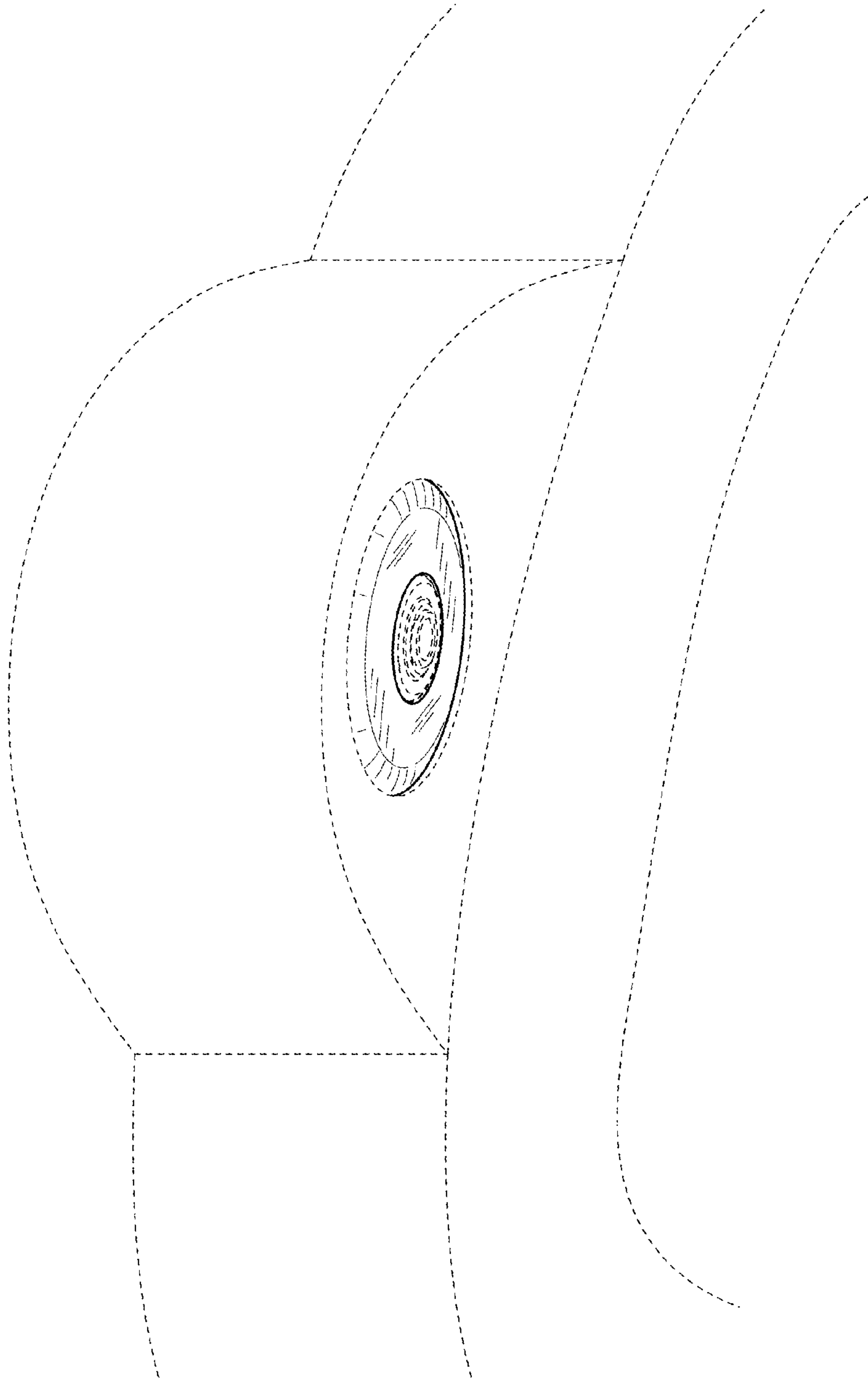


FIG. 7