



US00D734859S

(12) **United States Design Patent**
Weichert et al.

(10) **Patent No.:** **US D734,859 S**
(45) **Date of Patent:** **** Jul. 21, 2015**

(54) **MEDICAL MONITOR**

(71) Applicant: **KONINKLIJKE PHILIPS N.V.**,
Eindhoven (NL)

(72) Inventors: **Sven Weichert**, Eindhoven (NL); **Stefan Melles**, Stuttgart (DE)

(73) Assignee: **KONINKLIJKE PHILIPS N.V.**,
Eindhoven (NL)

(**) Term: **14 Years**

(21) Appl. No.: **29/483,505**

(22) Filed: **Feb. 28, 2014**

(30) **Foreign Application Priority Data**

Sep. 3, 2013 (EM) 002301796-0005

(51) **LOC (10) Cl.** **24-01**

(52) **U.S. Cl.**
USPC **D24/186**

(58) **Field of Classification Search**
USPC D24/138, 160, 164-165, 167-169,
D24/185-186; 600/301, 481, 483-485, 509,
600/513, 519, 544; 128/900; D10/81, 104;
D14/381, 126, 371
See application file for complete search history.

(56) **References Cited**

U.S. PATENT DOCUMENTS

D393,072 S * 3/1998 Rogler D24/186

D395,513 S * 6/1998 Rogler D24/186
D549,831 S * 8/2007 Ward et al. D24/186
D552,741 S * 10/2007 Zhou et al. D24/186
D562,456 S * 2/2008 Scruggs et al. D24/160
D592,754 S * 5/2009 Koike et al. D24/186
D600,814 S * 9/2009 Lathrop et al. D24/186
D621,511 S * 8/2010 Lathrop et al. D24/167
D624,654 S * 9/2010 Shimizu D24/186
D643,126 S * 8/2011 Barker et al. D24/186
D697,214 S * 1/2014 Rosenfeldt et al. D24/186

* cited by examiner

Primary Examiner — T. Chase Nelson

Assistant Examiner — Mark Cavanna

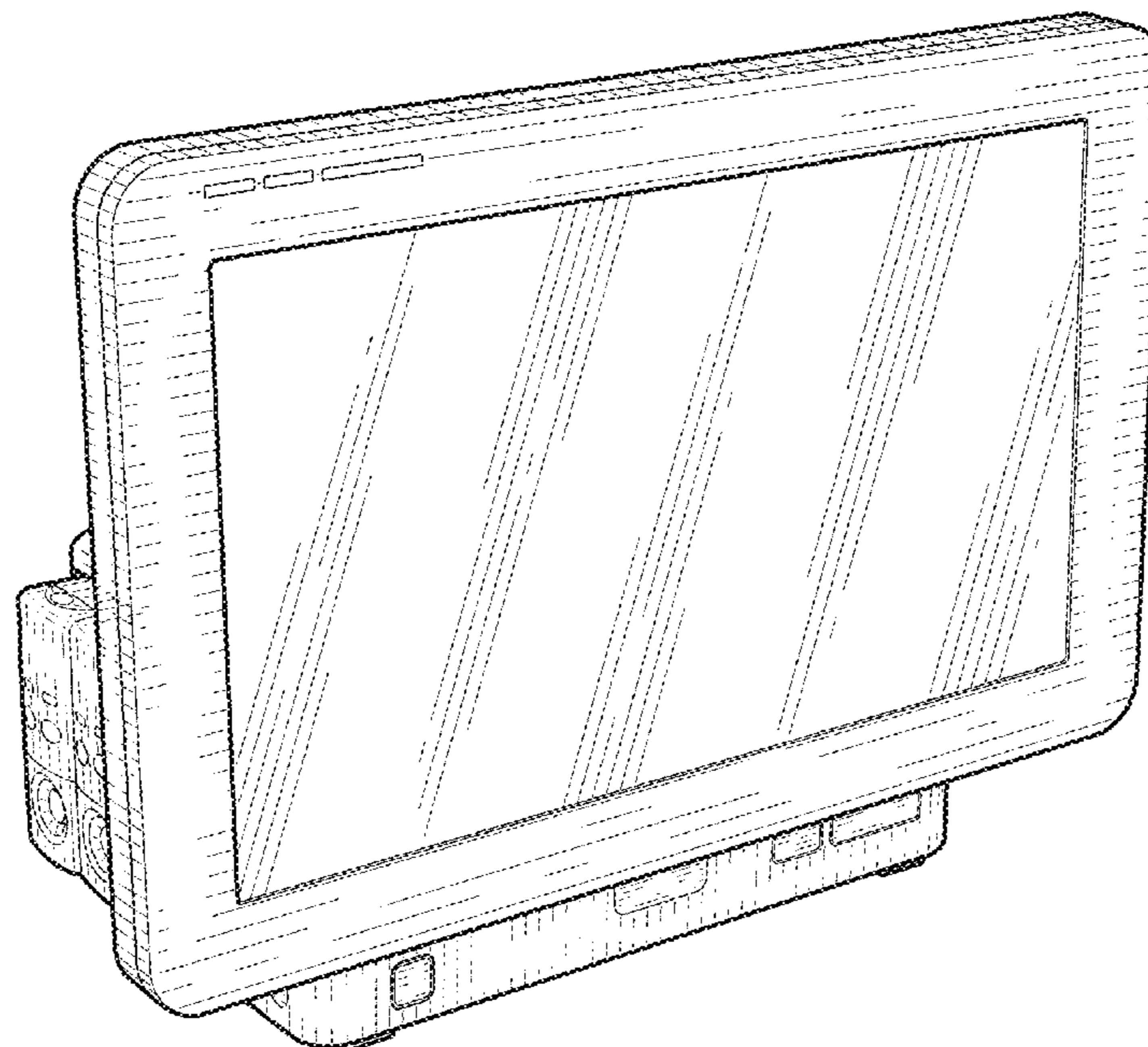
(57) **CLAIM**

The ornamental design for a medical monitor, as shown and described.

DESCRIPTION

FIG. 1 is a perspective view showing my design;
FIG. 2 is a front elevational view thereof;
FIG. 3 is a rear elevational view thereof;
FIG. 4 is a right side elevational view thereof;
FIG. 5 is a left side elevational view thereof;
FIG. 6 is a top plan view thereof; and,
FIG. 7 is a bottom plan view thereof.
The broken lines are included for the purpose of illustrating unclaimed portions of the medical monitor and forms no part of the claimed design.

1 Claim, 6 Drawing Sheets



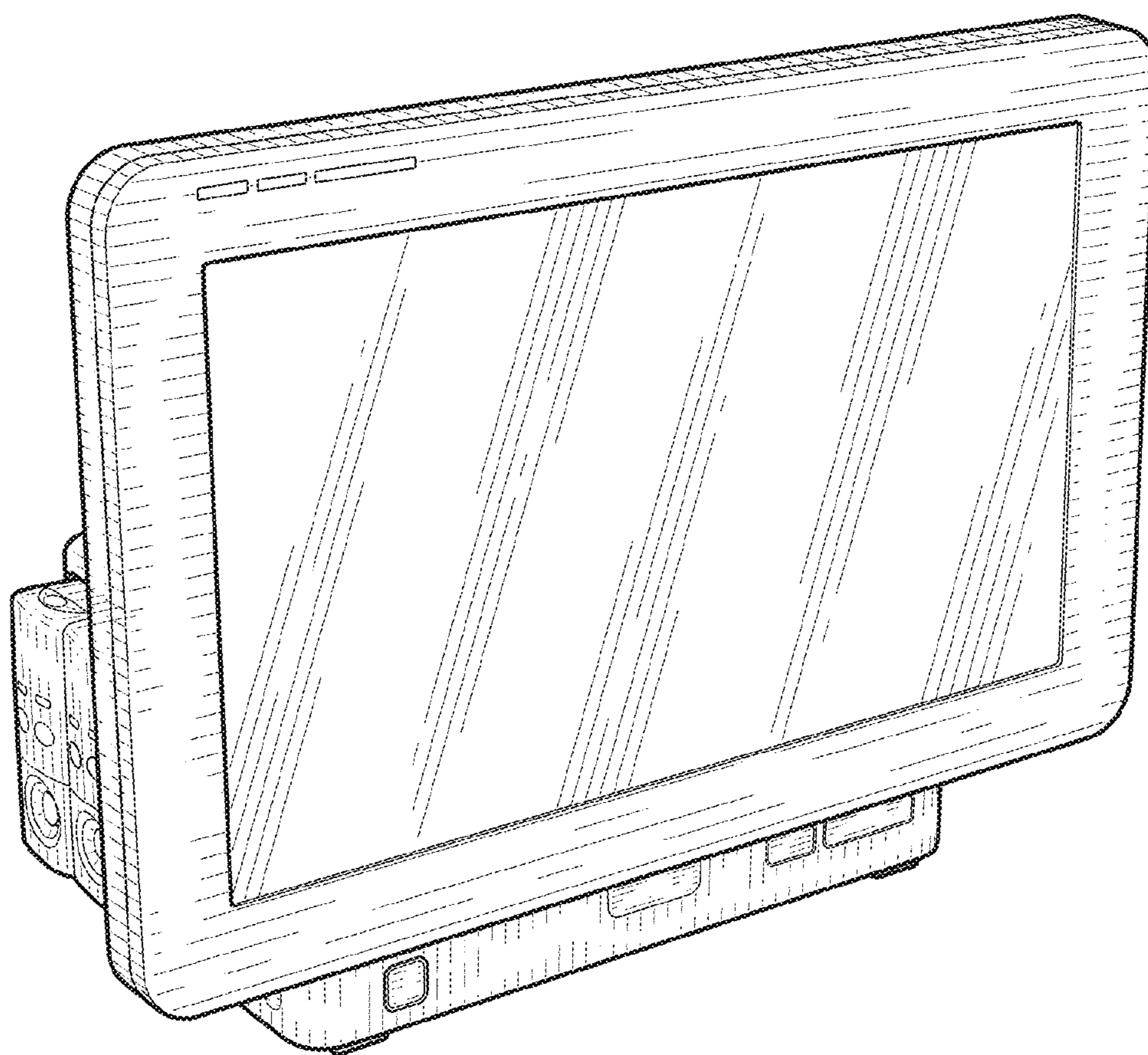


FIG. 1

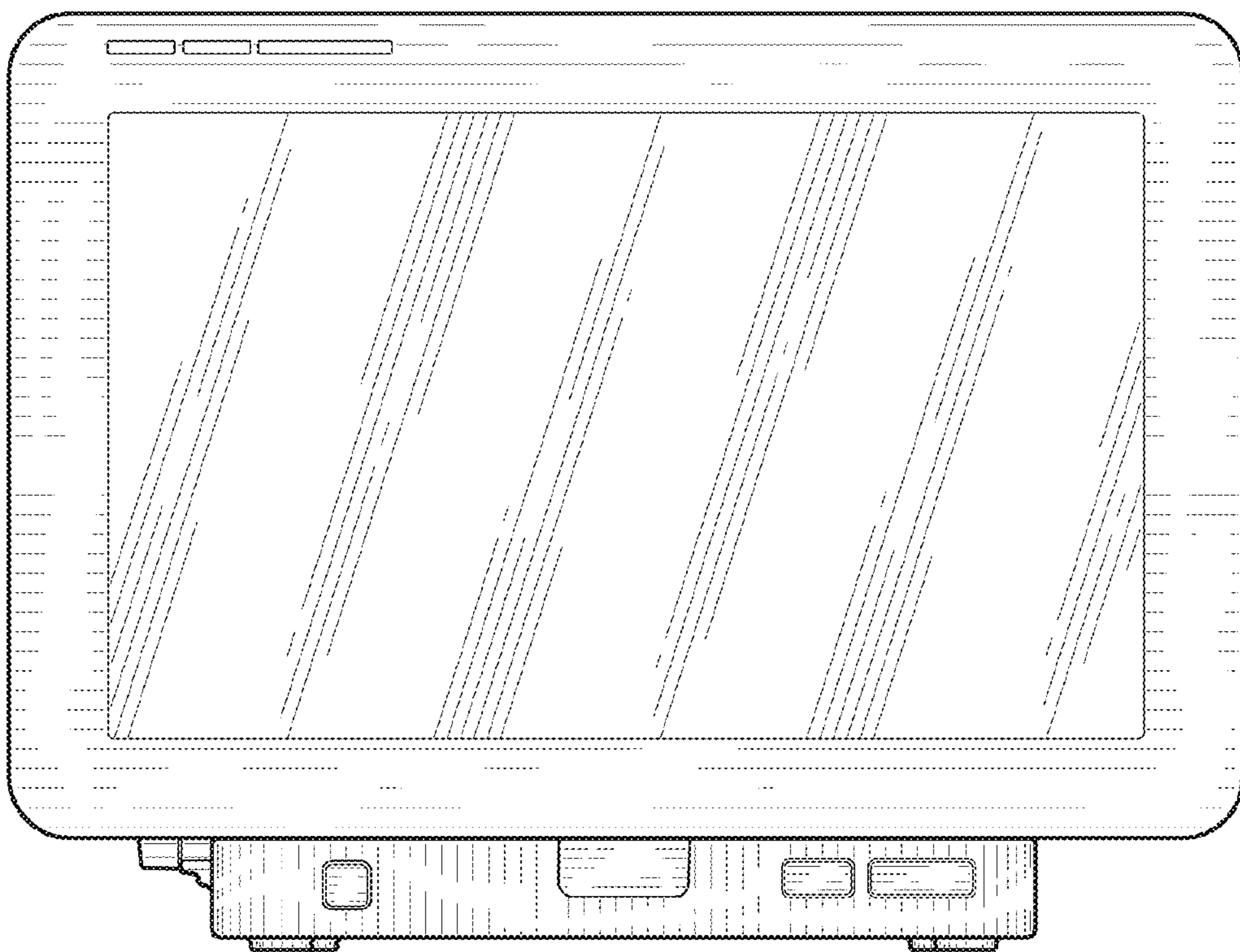


FIG. 2

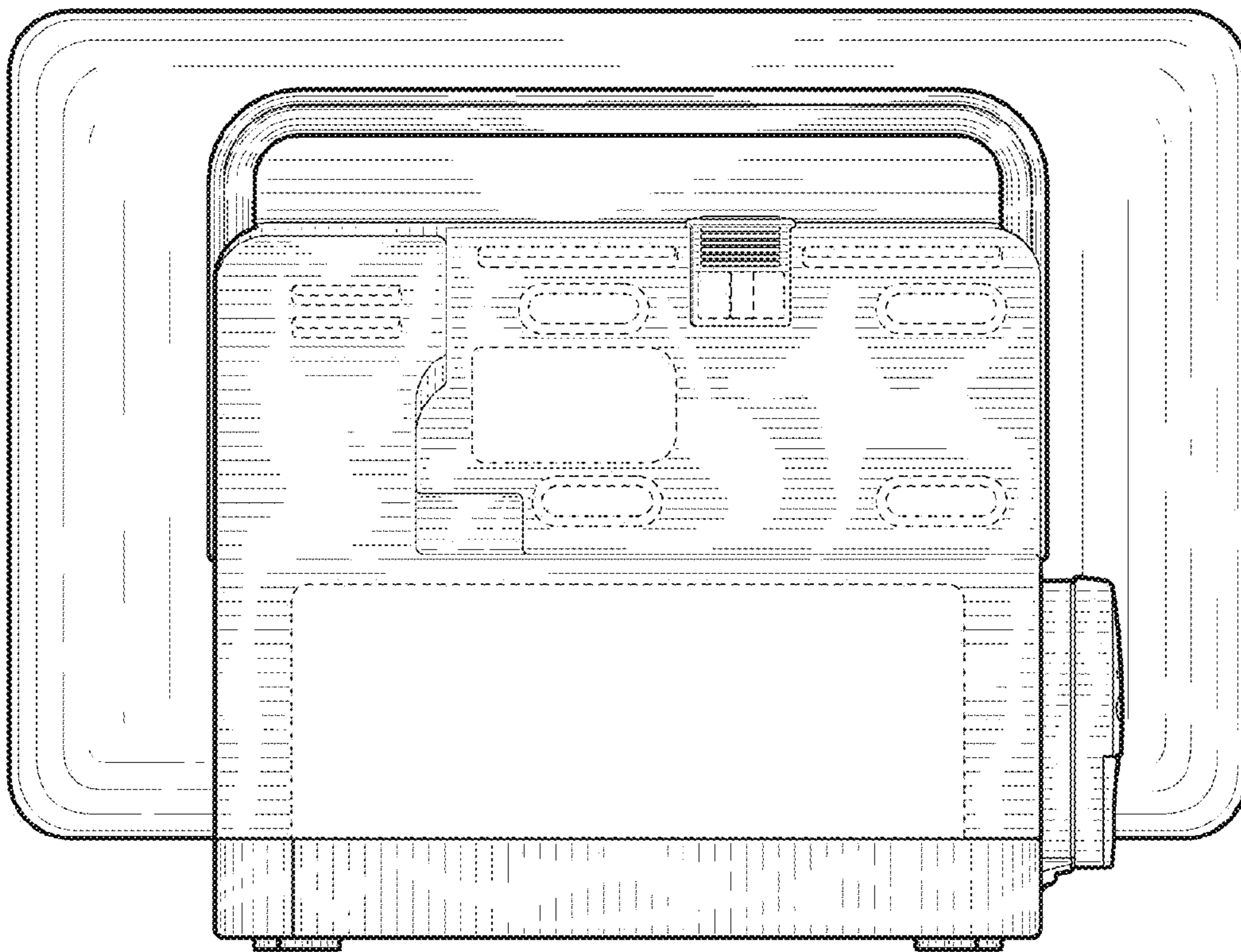


FIG. 3

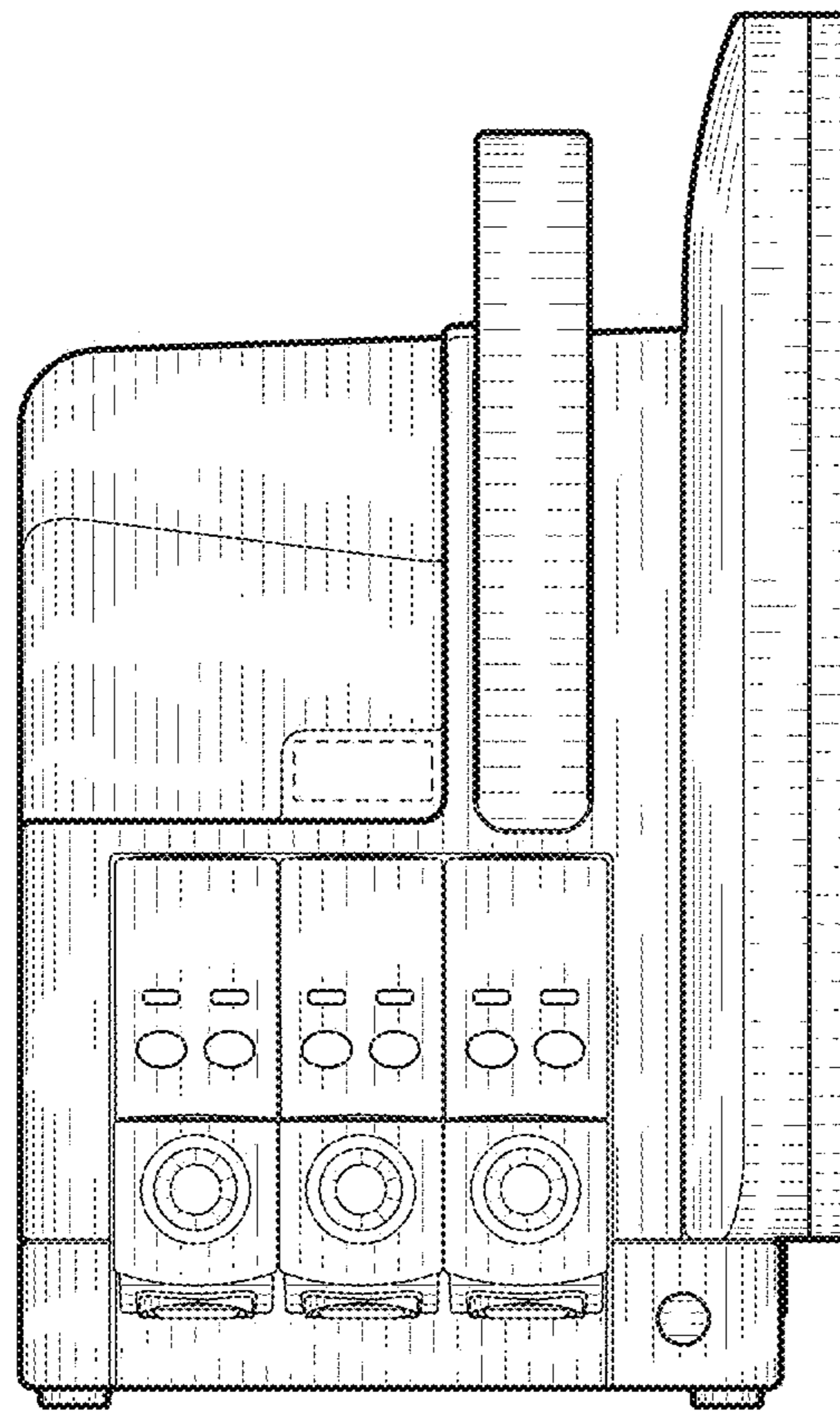


FIG. 4

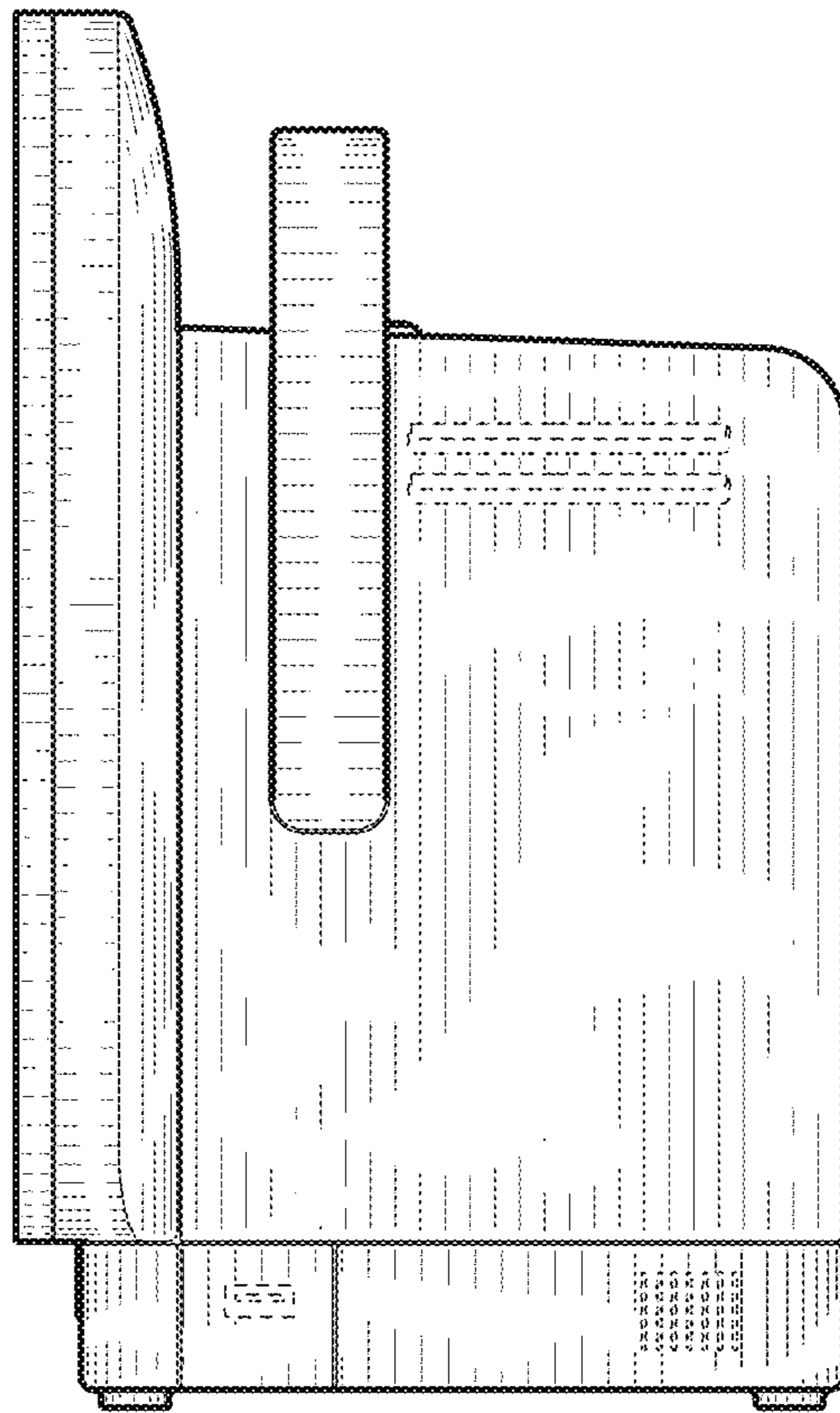


FIG. 5

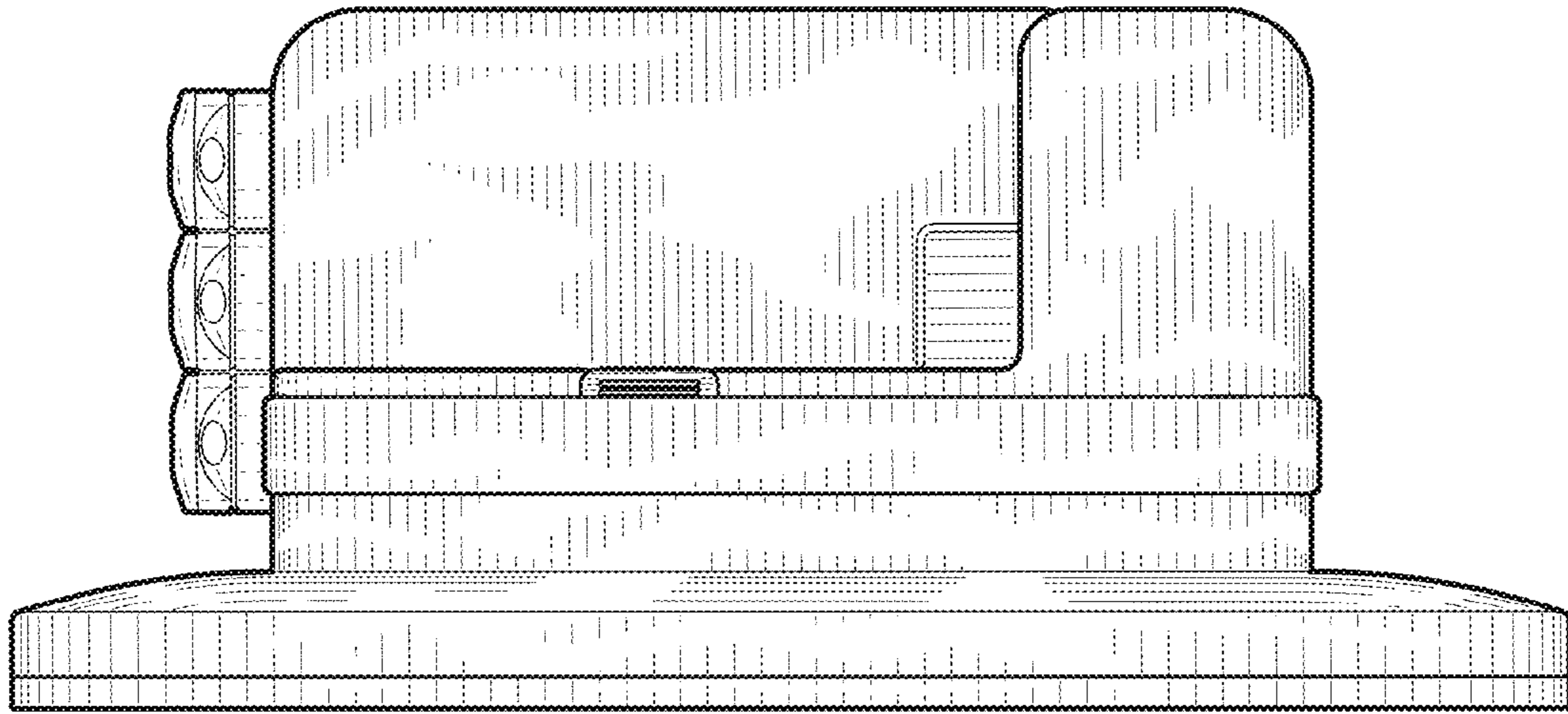


FIG. 6

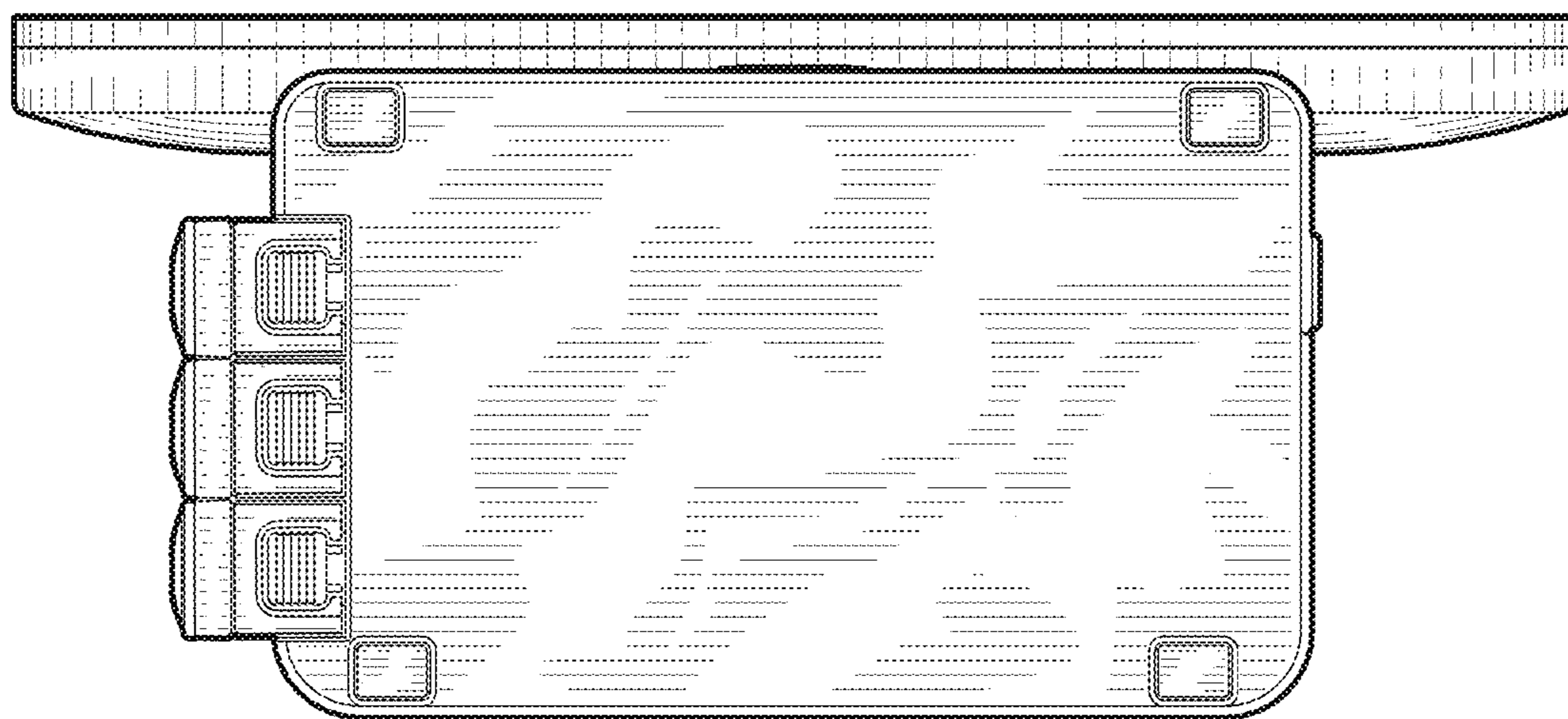


FIG. 7