



US00D734854S

(12) **United States Design Patent**  
**Conner**

(10) **Patent No.:** **US D734,854 S**

(45) **Date of Patent:** **\*\* \*Jul. 21, 2015**

(54) **MEDICAL GAS MANIFOLD**

(71) Applicant: **BeaconMedaes LLC**, Rock Hill, SC  
(US)

(72) Inventor: **Timothy Brian Conner**, Gastonia, NC  
(US)

(73) Assignee: **BeaconMedaes LLC**, Rock Hill, SC  
(US)

(\*) Notice: This patent is subject to a terminal disclaimer.

(\*\*) Term: **14 Years**

(21) Appl. No.: **29/496,190**

(22) Filed: **Jul. 10, 2014**

**Related U.S. Application Data**

(63) Continuation of application No. 29/471,217, filed on Oct. 29, 2013.

(51) **LOC (10) Cl.** ..... **24-00**

(52) **U.S. Cl.**  
USPC ..... **D24/164**

(58) **Field of Classification Search**  
USPC ..... D24/164, 184, 162, 110, 129, 110.5,  
D24/158, 169, 110.6, 108, 111; 128/205.24,  
128/204.21; D23/235; 137/512, 102  
See application file for complete search history.

(56) **References Cited**

**U.S. PATENT DOCUMENTS**

D215,052 S \* 8/1969 Evans ..... D23/235  
3,643,686 A \* 2/1972 Koegel ..... 137/512  
3,902,516 A \* 9/1975 Rudolph ..... 137/102

D243,635 S \* 3/1977 Miller ..... D24/129  
4,077,404 A \* 3/1978 Elam ..... 128/204.28  
4,121,580 A \* 10/1978 Fabish ..... 128/205.11  
D264,388 S \* 5/1982 Dryden ..... D24/110  
D276,464 S \* 11/1984 Weigl et al. .... D24/129  
D300,273 S \* 3/1989 Rudolph et al. .... D24/110.6  
4,957,107 A \* 9/1990 Sipin ..... 128/204.21  
D341,657 S \* 11/1993 Sever ..... D24/164  
D344,585 S \* 2/1994 Morse ..... D24/129  
D367,704 S \* 3/1996 Cotter ..... D24/111  
D389,571 S \* 1/1998 Duplesse ..... D24/110.6  
D399,008 S \* 9/1998 Thomas ..... D24/232  
D519,632 S \* 4/2006 Bayron et al. .... D24/110.6  
D561,331 S \* 2/2008 Benzick et al. .... D24/110  
D687,943 S \* 8/2013 Kobayashi et al. .... D24/108  
2006/0278230 A1 \* 12/2006 Nguyen ..... 128/205.24

\* cited by examiner

*Primary Examiner* — Holly Baynham

*Assistant Examiner* — Rhea Shields

(74) *Attorney, Agent, or Firm* — Parsons Summa

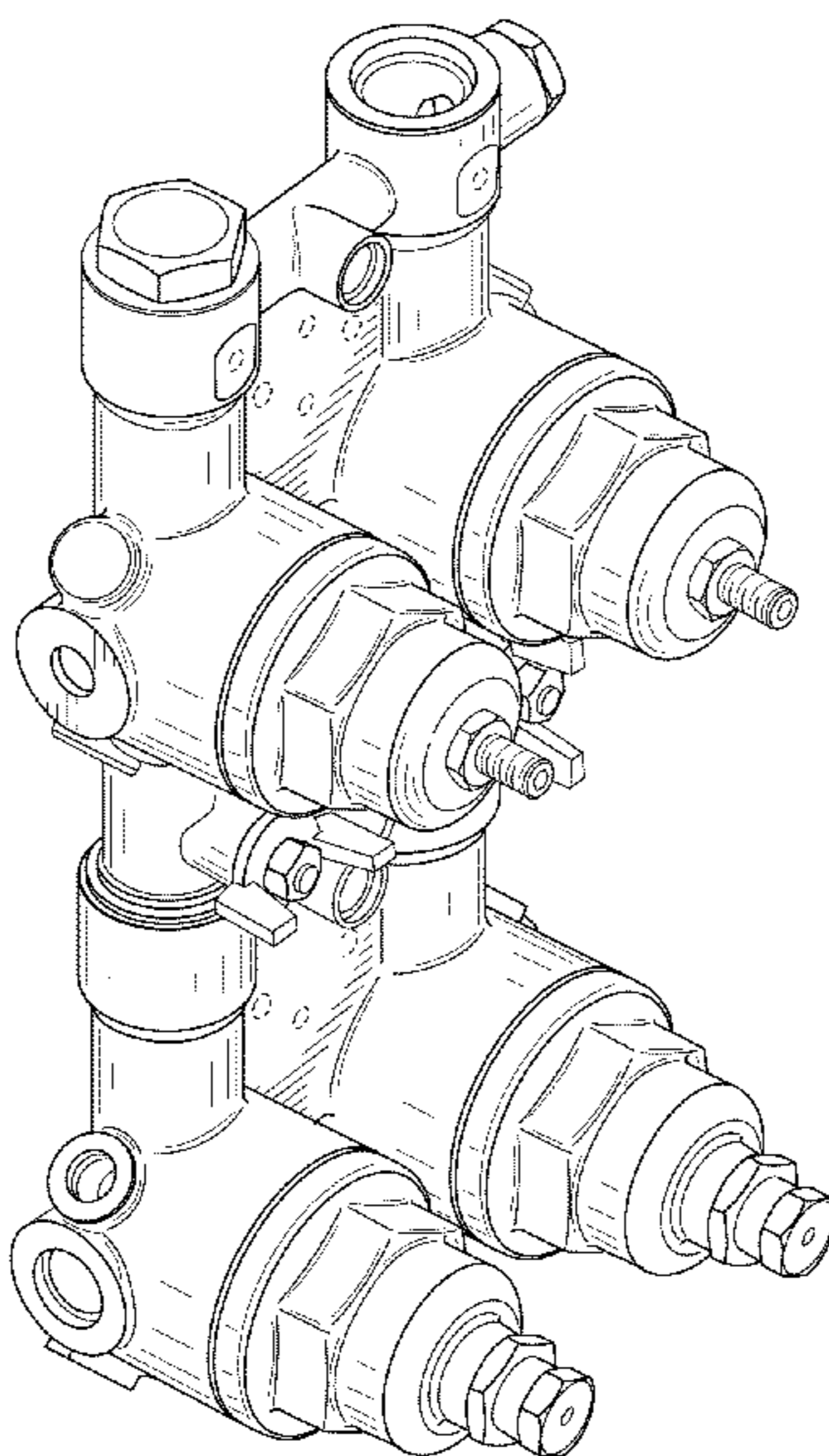
(57) **CLAIM**

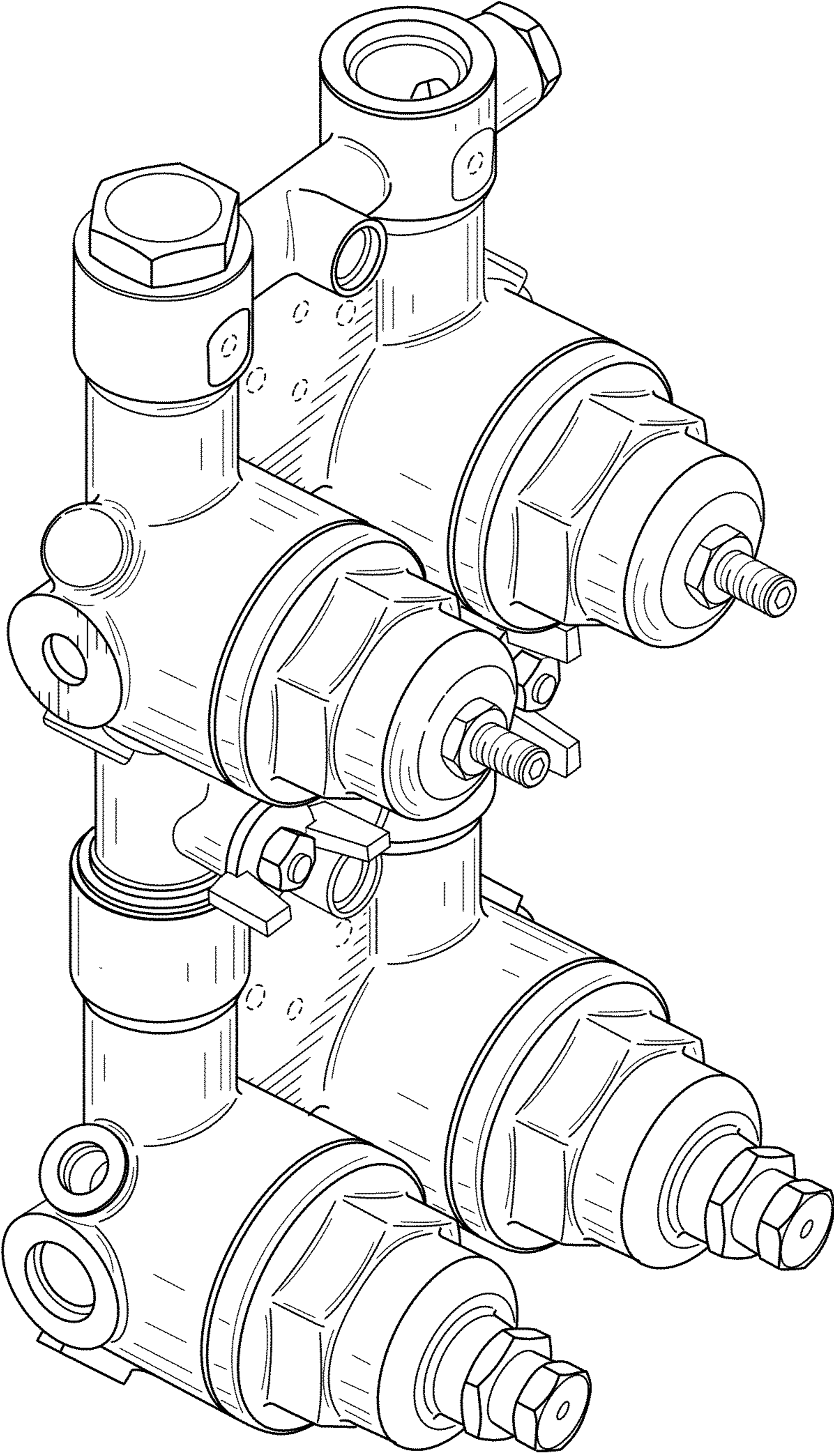
The ornamental design for a medical gas manifold, as shown and described.

**DESCRIPTION**

FIG. 1 is a perspective view of the front of the medical gas manifold;  
FIG. 2 is a rear perspective view of the medical gas manifold;  
FIG. 3 is a front elevational view of the medical gas manifold;  
FIG. 4 is a side elevational view of the medical gas manifold;  
FIG. 5 is a side elevational view of the medical gas manifold opposite FIG. 4;  
FIG. 6 is a rear elevational view of the medical gas manifold;  
FIG. 7 is a top plan view of the medical gas manifold; and,  
FIG. 8 is a bottom plan view of the medical gas manifold.

**1 Claim, 7 Drawing Sheets**





**FIG. 1**



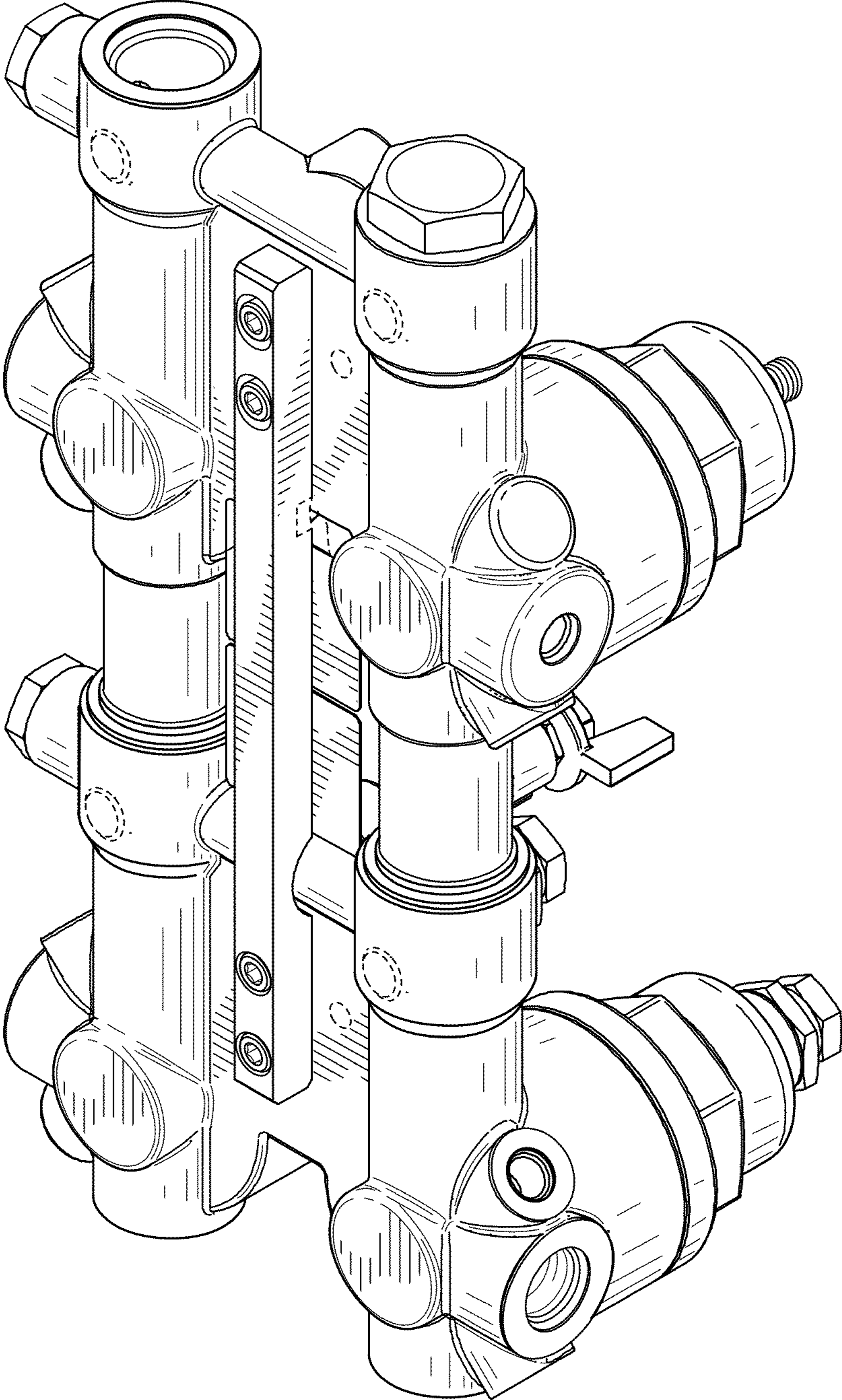
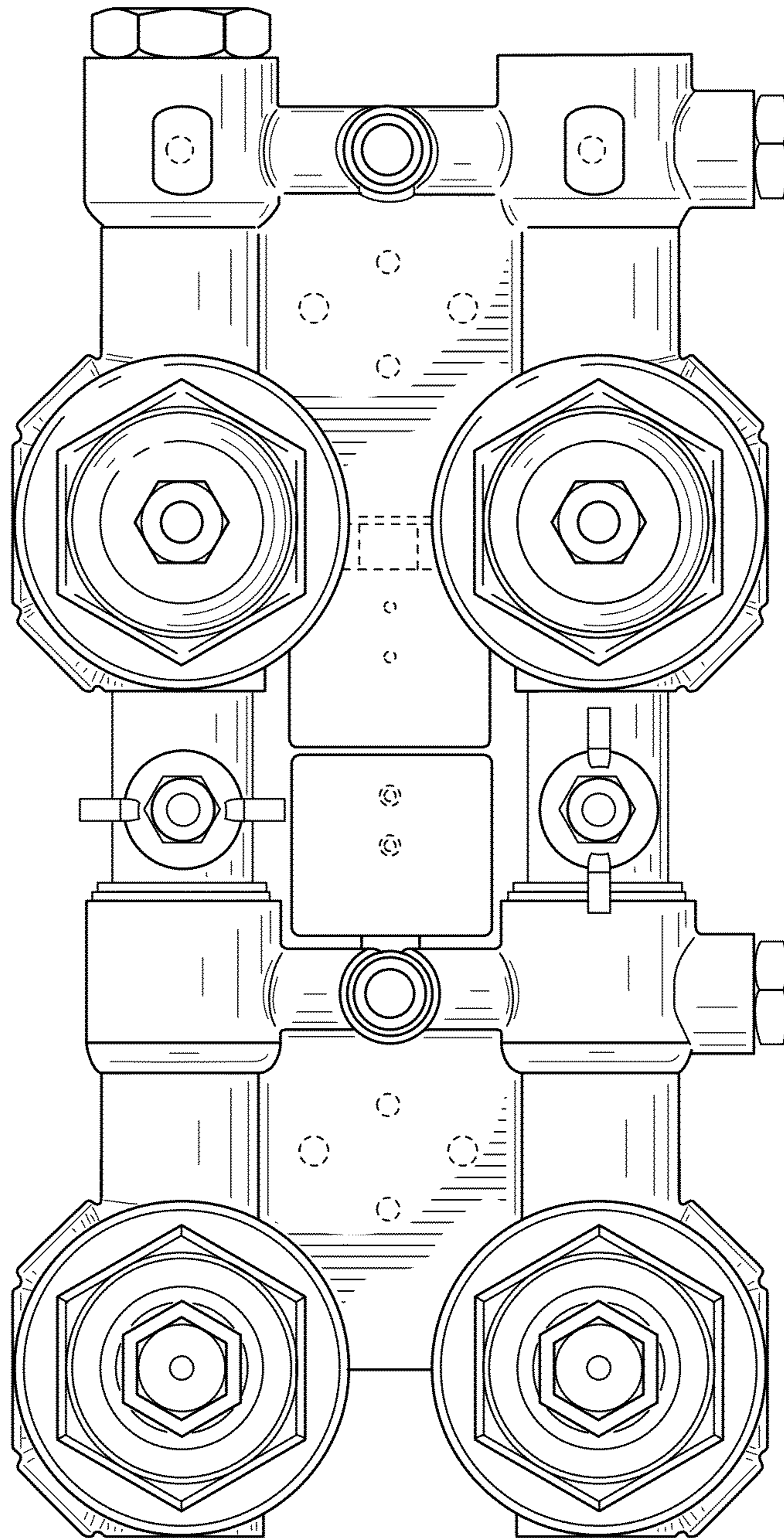
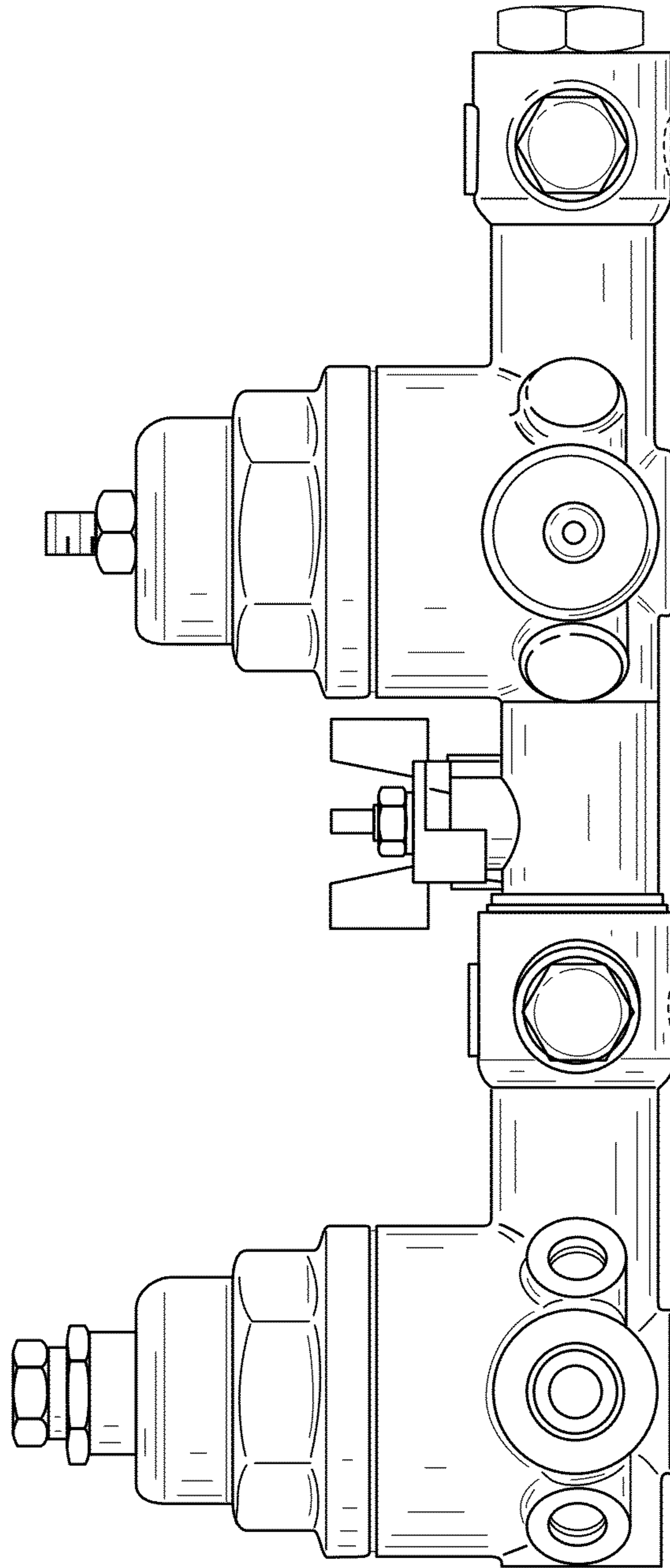


FIG. 2

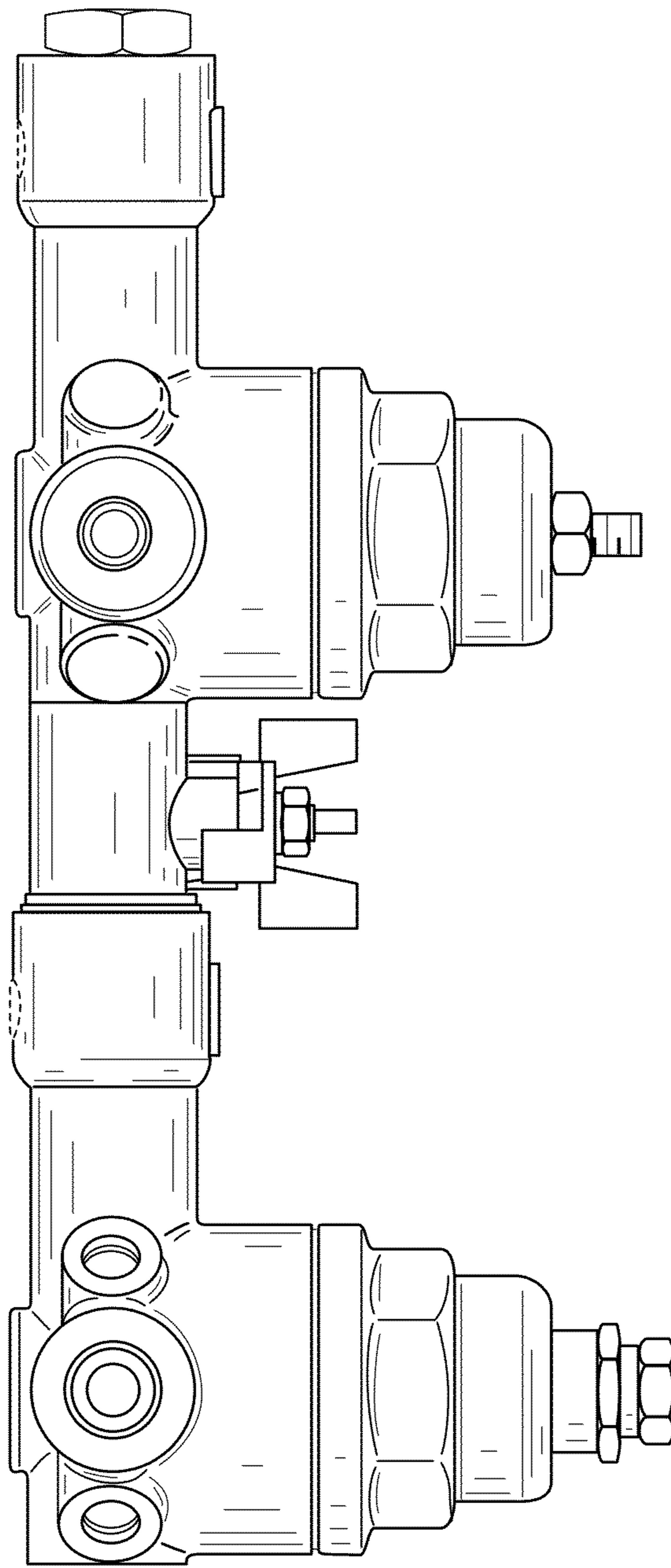


**FIG. 3**



**FIG. 4**





**FIG. 5**

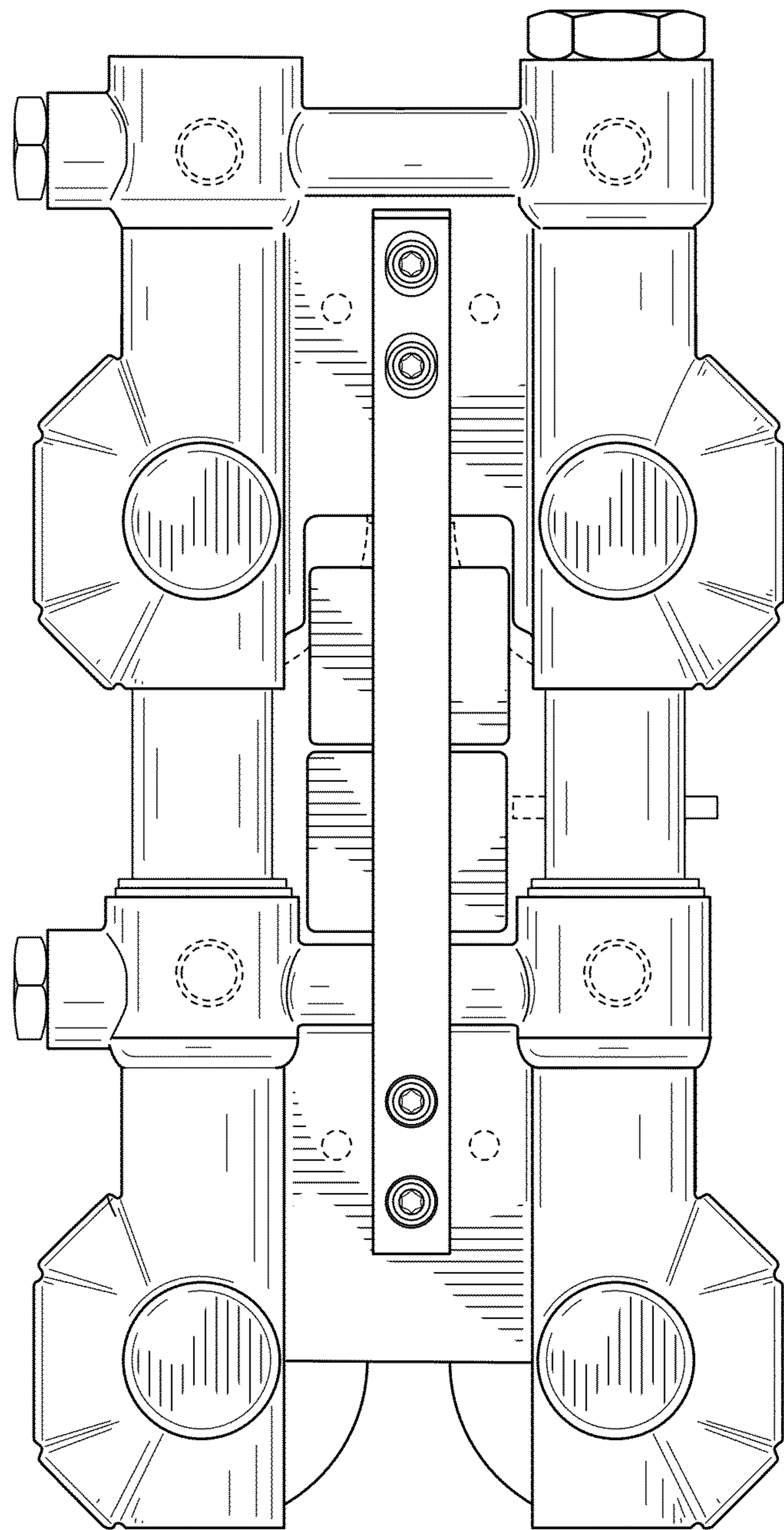
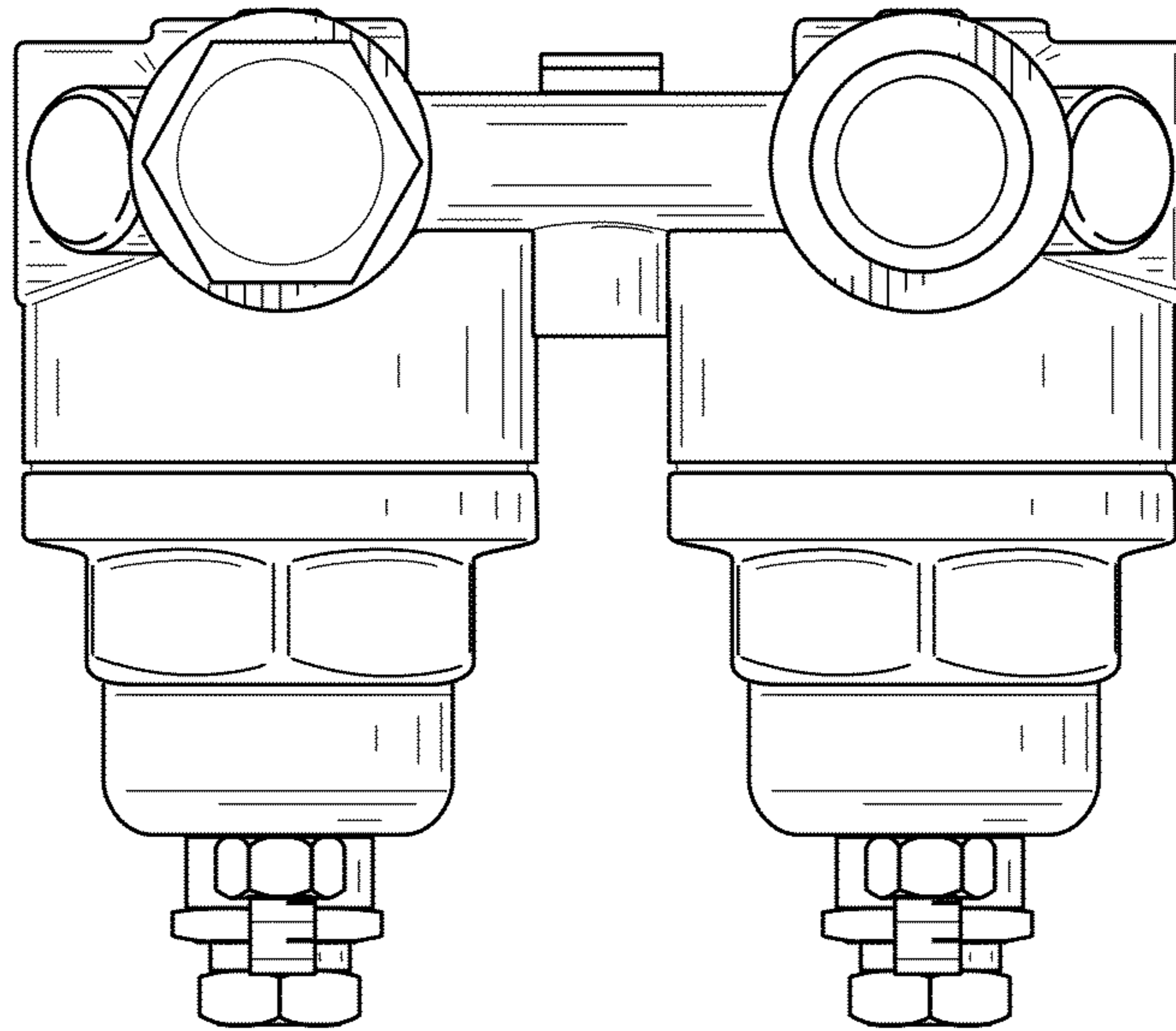
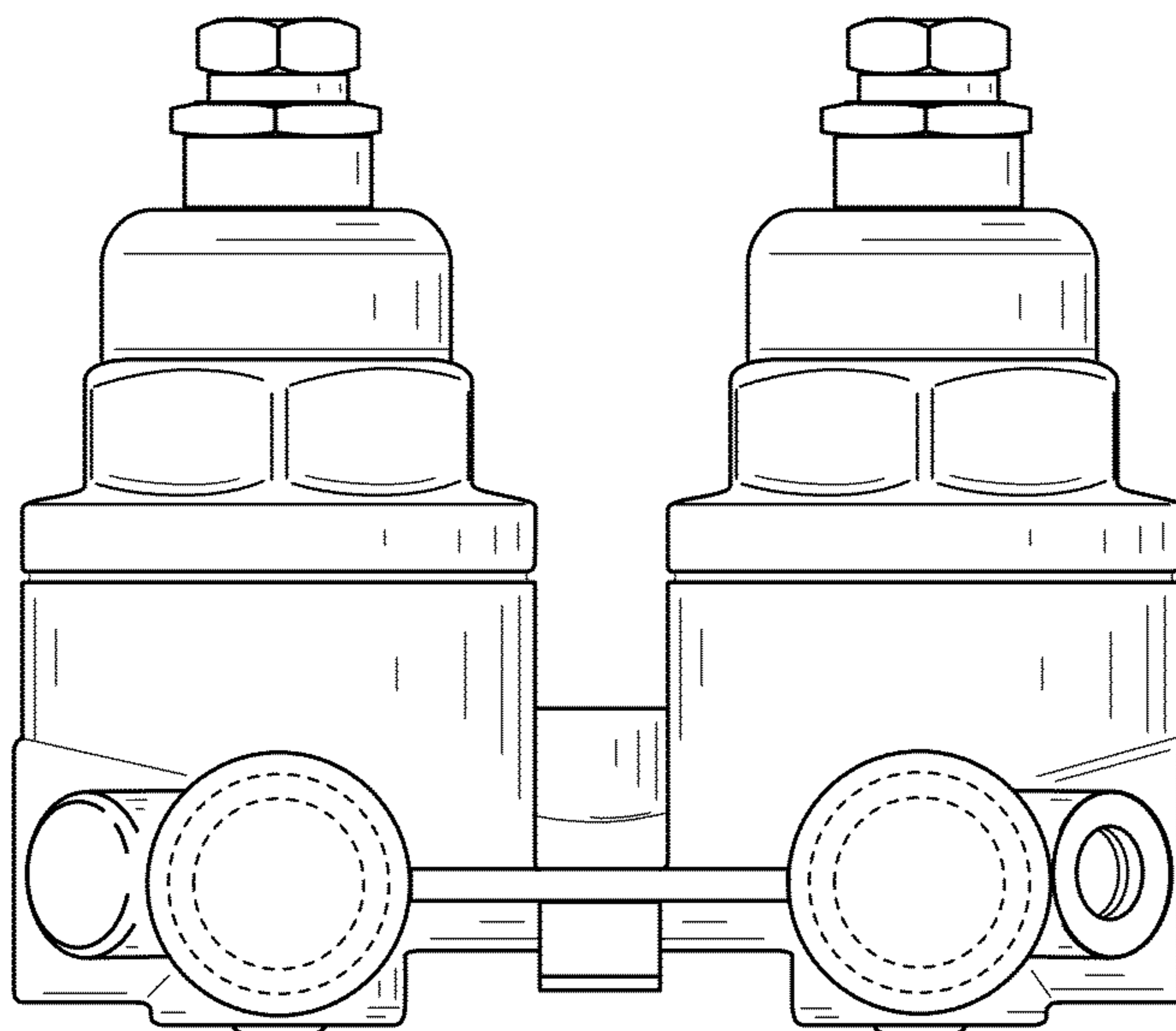


FIG. 6



**FIG. 7**



**FIG. 8**



UNITED STATES PATENT AND TRADEMARK OFFICE  
**CERTIFICATE OF CORRECTION**

PATENT NO. : D734,854 S  
APPLICATION NO. : 29/496190  
DATED : July 21, 2015  
INVENTOR(S) : Timothy Brian Conner

Page 1 of 1

It is certified that error appears in the above-identified patent and that said Letters Patent is hereby corrected as shown below:

On the TITLE PAGE, under **Related U.S. Application Data**:

insert: --Continuation of application No. 29471,217 filed on Oct. 29, 2013 claims benefit of  
Provisional Application No. 61/875,227, filed on September 9, 2013--

Signed and Sealed this  
Twenty-fourth Day of November, 2015



Michelle K. Lee  
*Director of the United States Patent and Trademark Office*