

US00D734853S

(12) **United States Design Patent**
Grant et al.

(10) **Patent No.:** **US D734,853 S**
(45) **Date of Patent:** **** Jul. 21, 2015**

- (54) **BONE PLATE**
- (71) Applicant: **NuVasive, Inc.**, San Diego, CA (US)
- (72) Inventors: **Chad Grant**, Escondido, CA (US); **Eric Dasso**, Carlsbad, CA (US); **Robert German**, San Diego, CA (US); **Richard Mueller**, Chapel Hill, NC (US); **Ryan Donahoe**, San Diego, CA (US)
- (73) Assignee: **NuVasive, Inc.**, San Diego, CA (US)
- (**) Term: **14 Years**
- (21) Appl. No.: **29/446,437**
- (22) Filed: **Feb. 22, 2013**

5,261,910 A	11/1993	Warden
5,534,027 A	7/1996	Hodorek
5,534,032 A	7/1996	Hodorek
5,549,612 A	8/1996	Yapp
5,603,713 A	2/1997	Aust
5,607,426 A	3/1997	Ralph
5,616,142 A	4/1997	Yuan
5,616,144 A	4/1997	Yapp
5,634,926 A	6/1997	Jobe
5,728,099 A	3/1998	Tellman
5,735,853 A	4/1998	Olerud
5,800,433 A	9/1998	Benzel
5,827,286 A	10/1998	Incavo
5,902,303 A	5/1999	Eckhof
5,902,304 A	5/1999	Walker
5,954,722 A	9/1999	Bono
5,964,762 A	10/1999	Biedermann
6,017,345 A	1/2000	Richelsoph
6,030,389 A	2/2000	Wagner
6,039,740 A	3/2000	Olerud
6,117,173 A	9/2000	Taddia

Related U.S. Application Data

- (63) Continuation of application No. 12/579,394, filed on Oct. 14, 2009, now abandoned.

- (51) **LOC (10) Cl.** **24-02**
- (52) **U.S. Cl.**
USPC **D24/155**

- (58) **Field of Classification Search**
USPC D24/155-157; 606/60, 61, 73, 95, 213, 606/65, 67, 288, 902, 246, 248, 249; 623/17.11, 17.12, 17.13, 17.14, 17.15, 623/17.16, 23.61, 23.56; D15/143, 139
See application file for complete search history.

- (56) **References Cited**

U.S. PATENT DOCUMENTS

2,406,832 A	9/1946	Hardinge
2,486,303 A	10/1949	Longfellow
2,922,456 A	1/1960	Kann
4,388,921 A	6/1983	Sutter
4,484,570 A	11/1984	Sutter
5,057,111 A	10/1991	Park
5,108,395 A	4/1992	Laurain
5,129,903 A	7/1992	Luhr

(Continued)

FOREIGN PATENT DOCUMENTS

CH	672245 A5	11/1989
EP	0293411	12/1988

(Continued)

Primary Examiner — Ian Simmons
Assistant Examiner — Charles Hanson
 (74) *Attorney, Agent, or Firm* — Jonathan Spangler; Heather Prado

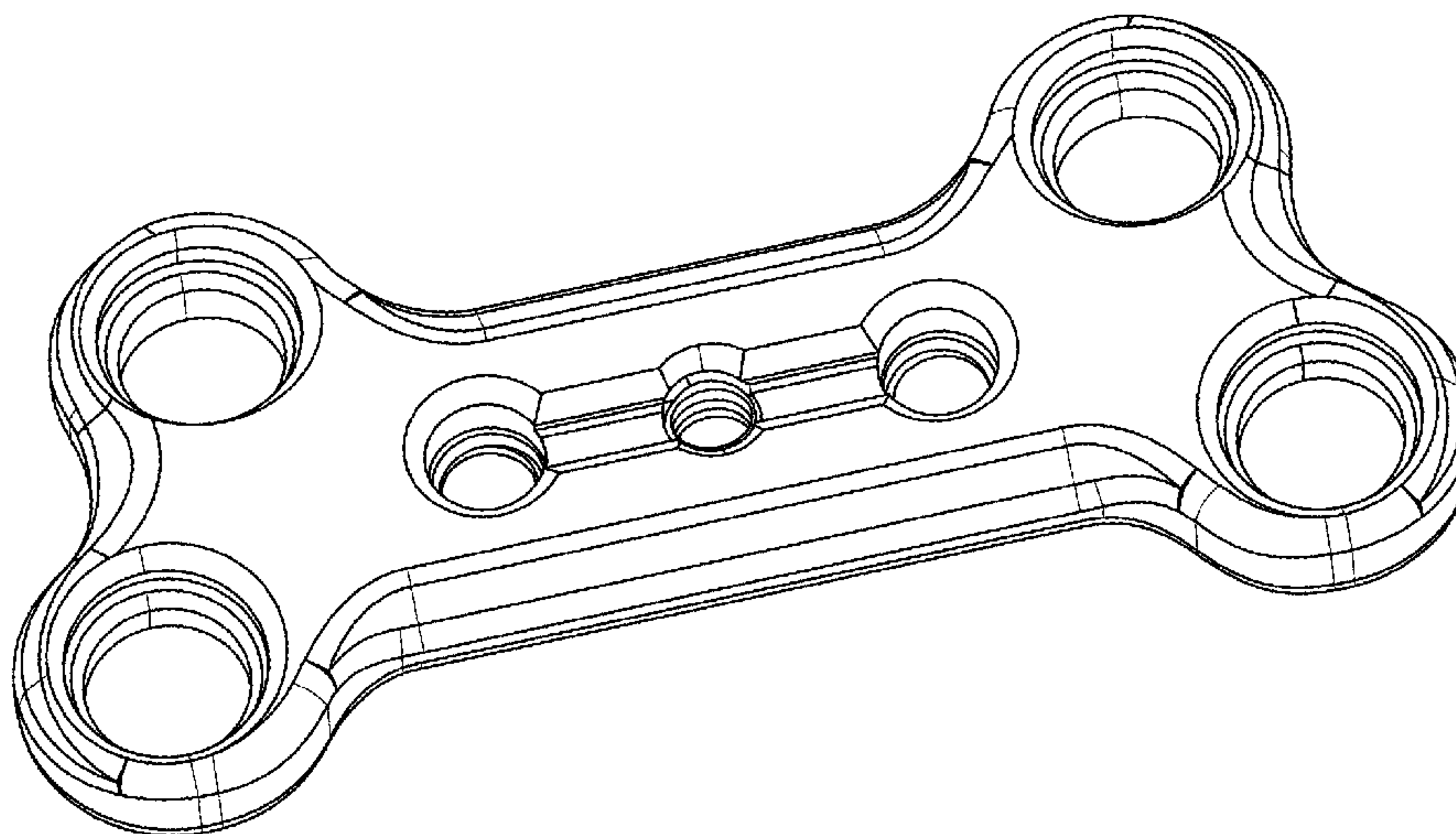
- (57) **CLAIM**

The ornamental design for a bone plate, substantially as shown and described.

DESCRIPTION

FIG. 1 is a perspective view of a bone plate showing our new design; and,
 FIG. 2 is a top view thereof.

1 Claim, 1 Drawing Sheet



(56)

References Cited

U.S. PATENT DOCUMENTS

6,159,213	A	12/2000	Rogozinski	8,394,130	B2	3/2013	Orbay
6,183,476	B1	2/2001	Gerhardt	8,500,783	B2	8/2013	Baynham
6,228,085	B1	5/2001	Theken	8,506,607	B2	8/2013	Eckhof
6,235,033	B1	5/2001	Brace	D696,402	S	12/2013	Oi
6,241,731	B1	6/2001	Fiz	8,636,738	B2	1/2014	McClintock
6,258,089	B1	7/2001	Campbell	8,728,127	B2	5/2014	Stewart
6,261,291	B1	7/2001	Talaber	8,758,347	B2	6/2014	Weiner
6,273,889	B1	8/2001	Richelsoph	D708,747	S	7/2014	Curran
6,280,445	B1	8/2001	Johnson	8,784,419	B2	7/2014	Overes
D449,692	S *	10/2001	Michelson D24/155	D711,537	S	8/2014	Pimenta
6,302,883	B1	10/2001	Bono	8,915,918	B2	12/2014	Graham
6,306,136	B1	10/2001	Baccelli	D721,808	S	1/2015	Oi
6,309,393	B1	10/2001	Tepic	2001/0014807	A1	8/2001	Wagner
6,331,179	B1	12/2001	Freid	2001/0021851	A1	9/2001	Eberlein
6,355,038	B1	3/2002	Pisharodi	2002/0045898	A1	4/2002	Freid
6,383,186	B1	5/2002	Michelson	2002/0058939	A1	5/2002	Wagner
6,402,756	B1	6/2002	Ralph	2002/0147450	A1	10/2002	LeHuec
6,428,542	B1	8/2002	Michelson	2002/0151899	A1	10/2002	Bailey
6,454,769	B2	9/2002	Wagner	2002/0156474	A1	10/2002	Wack
6,533,786	B1	3/2003	Needham	2003/0078583	A1	4/2003	Biedermann
6,575,975	B2	6/2003	Brace	2003/0083658	A1	5/2003	Hawkes
6,592,586	B1	7/2003	Michelson	2003/0093082	A1	5/2003	Campbell
6,626,907	B2	9/2003	Campbell	2003/0135216	A1	7/2003	Sevrain
6,645,208	B2	11/2003	Apfelbaum	2003/0153919	A1	8/2003	Harris
6,689,134	B2	2/2004	Ralph	2003/0187440	A1	10/2003	Richelsoph
D493,533	S	7/2004	Blain	2003/0187442	A1	10/2003	Richelsoph
6,793,658	B2	9/2004	LeHuec	2003/0187443	A1	10/2003	Laurysen
6,884,242	B2	4/2005	LeHuec	2003/0208204	A1	11/2003	Bailey
6,969,390	B2	11/2005	Michelson	2003/0229348	A1	12/2003	Sevrain
7,001,389	B1	2/2006	Navarro	2004/0019353	A1	1/2004	Freid
7,041,105	B2	5/2006	Michelson	2004/0030340	A1	2/2004	Pisharodi
7,044,952	B2	5/2006	Michelson	2004/0073218	A1	4/2004	Dahners
7,094,238	B2	8/2006	Morrison	2004/0087951	A1	5/2004	Khalili
7,097,645	B2	8/2006	Michelson	2004/0097935	A1	5/2004	Richelsoph
7,112,202	B2	9/2006	Michelson	2004/0106924	A1	6/2004	Ralph
D530,423	S	10/2006	Miles	2004/0127896	A1	7/2004	Lombardo
7,118,573	B2	10/2006	Michelson	2004/0127899	A1	7/2004	Konieczynski
7,135,024	B2	11/2006	Cook	2004/0127900	A1	7/2004	Konieczynski
7,137,984	B2	11/2006	Michelson	2004/0127904	A1	7/2004	Konieczynski
7,175,624	B2	2/2007	Konieczynski	2004/0153078	A1	8/2004	Grinberg
7,186,254	B2	3/2007	Dinh	2004/0158250	A1	8/2004	Chappuis
7,214,226	B2	5/2007	Alleyne	2004/0167521	A1	8/2004	De Windt
7,220,263	B2 *	5/2007	Cordaro 606/70	2004/0186570	A1	9/2004	Rapp
7,229,443	B2	6/2007	Eberlein	2004/0210223	A1	10/2004	Pisharodi
7,232,670	B2	6/2007	D'Azzo	2004/0236333	A1	11/2004	Lin
7,309,340	B2	12/2007	Fallin	2004/0245479	A1	12/2004	Misawa
7,318,825	B2	1/2008	Butler	2004/0260292	A1	12/2004	Orbay
7,326,212	B2	2/2008	Huebner	2004/0260293	A1	12/2004	Orbay
7,331,961	B2	2/2008	Abdou	2004/0260294	A1	12/2004	Orbay
D594,986	S	6/2009	Miles	2004/0260295	A1	12/2004	Orbay
D599,019	S	8/2009	Pimenta	2004/0260306	A1	12/2004	Fallin
D603,504	S *	11/2009	Kriska et al. D24/155	2005/0010227	A1	1/2005	Paul
D603,506	S *	11/2009	Kriska et al. D24/155	2005/0015092	A1	1/2005	Rathbun
D603,507	S *	11/2009	Kriska et al. D24/155	2005/0015093	A1	1/2005	Suh
D603,961	S *	11/2009	Kriska et al. D24/155	2005/0015131	A1	1/2005	Fourcault
7,621,914	B2	11/2009	Ralph	2005/0027293	A1	2/2005	LeHuec
7,635,364	B2	12/2009	Barrall	2005/0033298	A1	2/2005	Hawkes
7,635,366	B2	12/2009	Abdou	2005/0049593	A1	3/2005	Duong
7,637,928	B2	12/2009	Fernandez	2005/0049595	A1	3/2005	Suh
7,695,473	B2	4/2010	Ralph	2005/0059970	A1	3/2005	Kolb
7,740,630	B2	6/2010	Michelson	2005/0070904	A1	3/2005	Gerlach
D621,509	S	8/2010	Lovell	2005/0107796	A1	5/2005	Gerlach
7,857,839	B2	12/2010	Duong	2005/0177160	A1	8/2005	Baynham
7,901,440	B2	3/2011	Ibrahim	2005/0177161	A1	8/2005	Baynham
7,935,123	B2	5/2011	Fanger	2005/0182404	A1	8/2005	Laurysen
7,951,151	B2	5/2011	Butler	2005/0192580	A1	9/2005	Dalton
8,002,809	B2	8/2011	Baynham	2005/0228386	A1	10/2005	Ziolo
8,083,781	B2	12/2011	Reimels	2006/0015104	A1	1/2006	Dalton
8,182,533	B2	5/2012	Perkins	2006/0100626	A1	5/2006	Rathbun
8,206,390	B2	6/2012	Lindemann	2006/0106387	A1	5/2006	Fanger
8,287,574	B2	10/2012	Biyani	2006/0122602	A1	6/2006	Konieczynski
D671,645	S	11/2012	Curran	2006/0122604	A1	6/2006	Gorhan
D674,092	S	1/2013	Lovell	2006/0149249	A1	7/2006	Mathoulin
D675,320	S	1/2013	Oi	2006/0149251	A1	7/2006	Ziolo
8,348,949	B2	1/2013	Butler	2006/0149253	A1	7/2006	Doubler
				2006/0149255	A1	7/2006	Doubler
				2006/0149256	A1	7/2006	Wagner
				2006/0235399	A1	10/2006	Carls
				2006/0241616	A1	10/2006	Konieczynski

(56)

References Cited

U.S. PATENT DOCUMENTS

2006/0241618 A1 10/2006 Gasser
 2006/0247639 A1 11/2006 Anderson
 2006/0271052 A1 11/2006 Stern
 2006/0276793 A1 12/2006 Berry
 2006/0293669 A1 12/2006 Lindemann
 2007/0010817 A1 1/2007 de Coninck
 2007/0118125 A1 5/2007 Orbay
 2007/0123879 A1 5/2007 Songer
 2007/0162020 A1 7/2007 Gerlach
 2007/0260244 A1 11/2007 Wolter
 2008/0004627 A1 1/2008 Dalton
 2008/0009870 A1 1/2008 Lombardo
 2008/0058817 A1 3/2008 Eberlein
 2008/0097442 A1 4/2008 Dixon
 2008/0147124 A1 6/2008 Haidukewych
 2008/0147125 A1 6/2008 Colleran
 2008/0177330 A1 7/2008 Ralph
 2008/0234680 A1 9/2008 Zaiser
 2008/0243192 A1 10/2008 Jacene
 2009/0012571 A1 1/2009 Perrow
 2009/0018588 A1 1/2009 Eckhof
 2009/0024170 A1 1/2009 Kirschman
 2009/0036933 A1 2/2009 Dube
 2009/0163960 A1 6/2009 Binder
 2009/0182383 A1 7/2009 Prybyla
 2009/0192549 A1 7/2009 Sanders
 2009/0192553 A1 7/2009 Maguire

2009/0210014 A1 8/2009 Ziolo
 2009/0248087 A1 10/2009 Lewis
 2010/0042161 A1 2/2010 Worcel
 2010/0057127 A1 3/2010 McGuire
 2010/0063505 A1 3/2010 Frigg
 2010/0076496 A1 3/2010 Fernandez
 2010/0198221 A1 8/2010 Hearn
 2012/0083846 A1 4/2012 Wallenstein
 2012/0265203 A1 10/2012 Angelucci

FOREIGN PATENT DOCUMENTS

EP 1637085 A2 3/2006
 FR 2790198 A1 9/2000
 FR 2792185 A1 10/2000
 FR 2903880 A1 1/2008
 GB 2305483 A 4/1997
 GB 2392096 A 2/2004
 WO WO-8803781 6/1988
 WO WO-9306789 4/1993
 WO WO-9722306 6/1997
 WO WO-0078238 12/2000
 WO WO-2005009487 2/2005
 WO WO-2005053550 6/2005
 WO WO-2005060845 7/2005
 WO WO-2006072284 7/2006
 WO WO-2008145902 12/2008
 WO WO-2009105066 8/2009
 WO WO-2009148697 12/2009

* cited by examiner

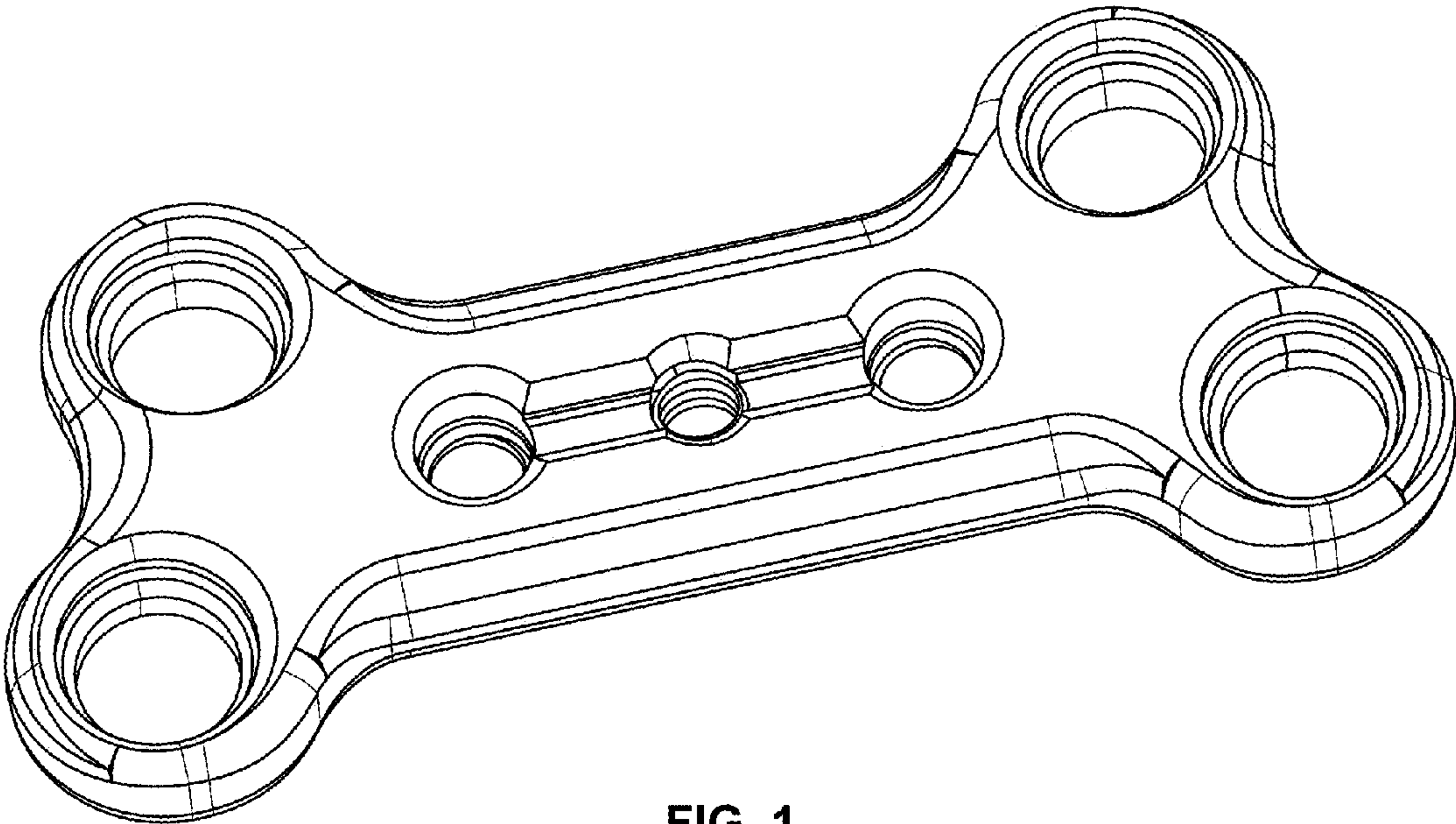


FIG. 1

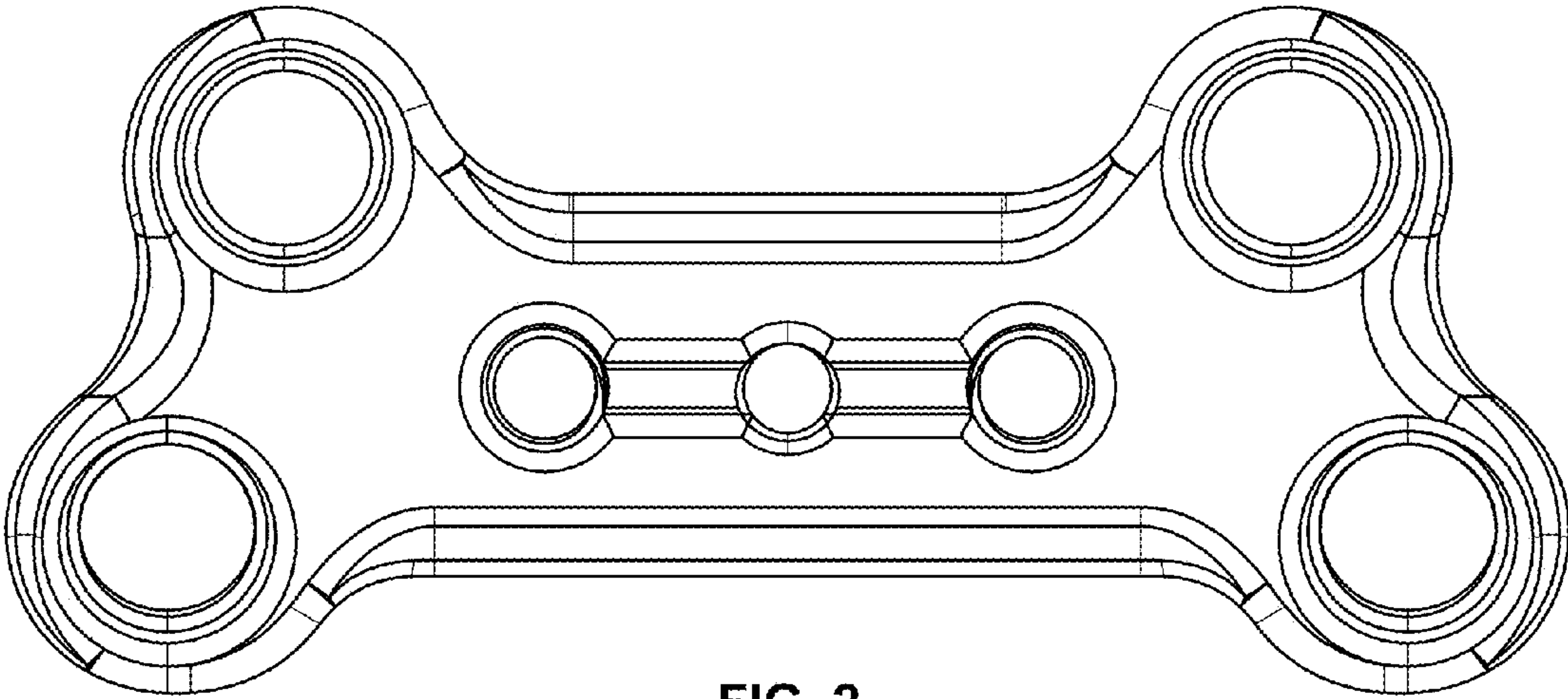


FIG. 2