



US00D734851S

(12) **United States Design Patent**  
**Nguyen et al.**

(10) **Patent No.:** **US D734,851 S**  
(45) **Date of Patent:** **\*\* Jul. 21, 2015**

- (54) **DENTAL MOUTHPIECE**
- (71) Applicant: **Incept, Inc.**, Irvine, CA (US)
- (72) Inventors: **Thien Nguyen**, Santa Ana, CA (US);  
**Tam Thanh Pham**, San Francisco, CA (US)
- (73) Assignee: **Incept, Inc.**, Irvine, CA (US)
- (\*\*) Term: **14 Years**
- (21) Appl. No.: **29/491,367**
- (22) Filed: **May 20, 2014**

D615,203 S \* 5/2010 Hirsch et al. .... D24/152  
 8,029,280 B2 \* 10/2011 Black et al. .... 433/93  
 2014/0212837 A1 \* 7/2014 Nguyen et al. .... 433/92  
 2014/0212838 A1 \* 7/2014 Nguyen et al. .... 433/92

\* cited by examiner

*Primary Examiner* — Wan Laymon

(74) *Attorney, Agent, or Firm* — Lewis Roca Rothgerber LLP

(57) **CLAIM**

The ornamental design for a dental mouthpiece, as shown and described.

**Related U.S. Application Data**

- (63) Continuation of application No. 14/100,323, filed on Dec. 9, 2013.
- (51) **LOC (10) Cl.** ..... **24-02**
- (52) **U.S. Cl.**  
USPC ..... **D24/152**
- (58) **Field of Classification Search**  
USPC ..... D24/152, 133, 176, 108, 137; 433/29, 433/91-93, 140  
See application file for complete search history.

**DESCRIPTION**

FIG. 1 is a perspective view of the dental mouthpiece;  
 FIG. 2 is a top plan view of the dental mouthpiece;  
 FIG. 3 is a bottom plan view of the dental mouthpiece;  
 FIG. 4 is a side view of the dental mouthpiece;  
 FIG. 5 is a cross-sectional view of a cheek retractor portion of the dental mouthpiece, taken along lines 5-5 of FIG. 4; and,  
 FIG. 6 is an enlarged, bottom plan view of a cheek retractor portion of the dental mouthpiece, taken along the line 6-6 of FIG. 4.

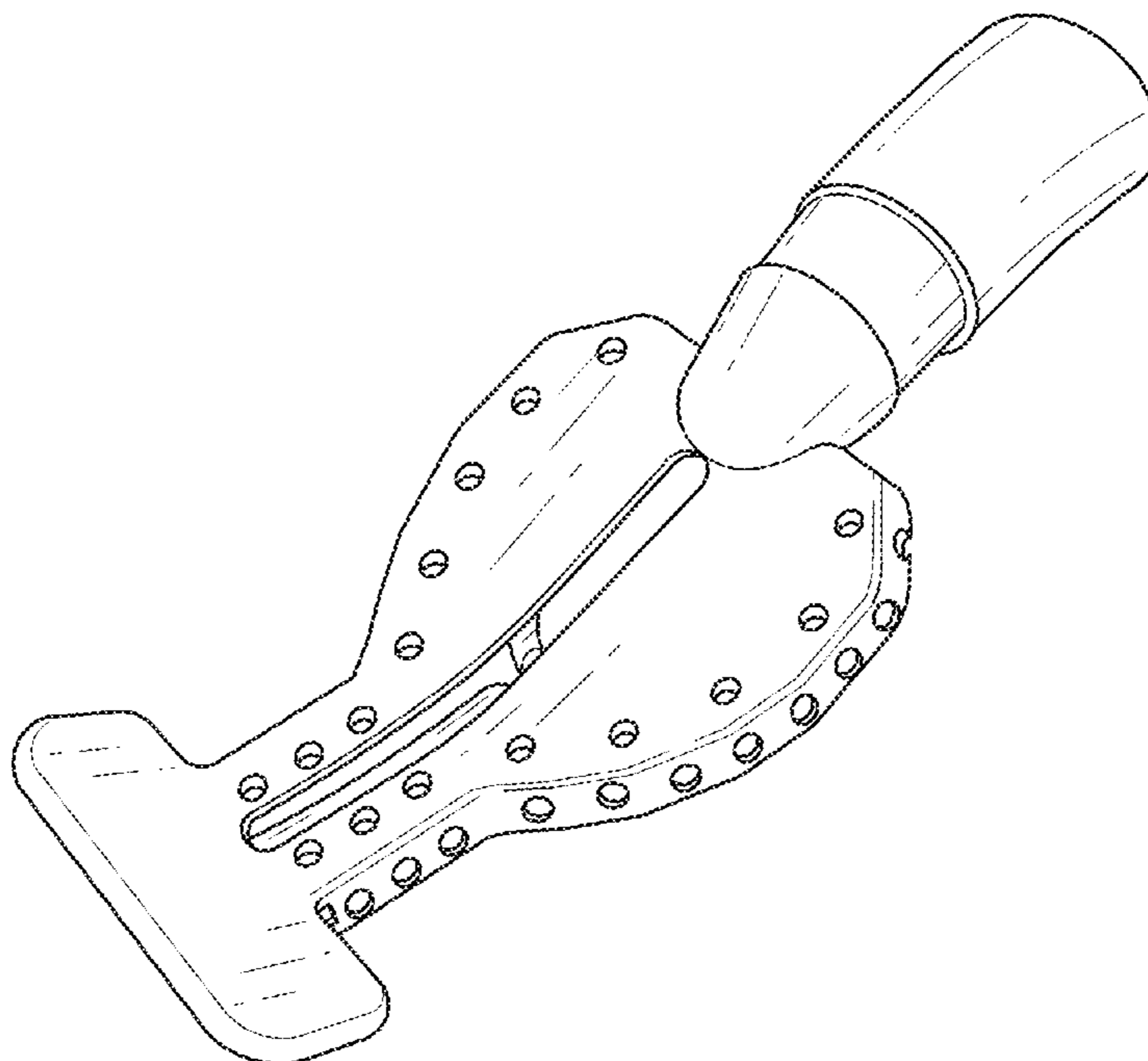
Any portion of FIGS. 1-6 illustrated in hashed lines constitutes non-claimed subject matter. Those portions of FIGS. 1-6 (if any) do not constitute a part of the claim and are presented solely for context.

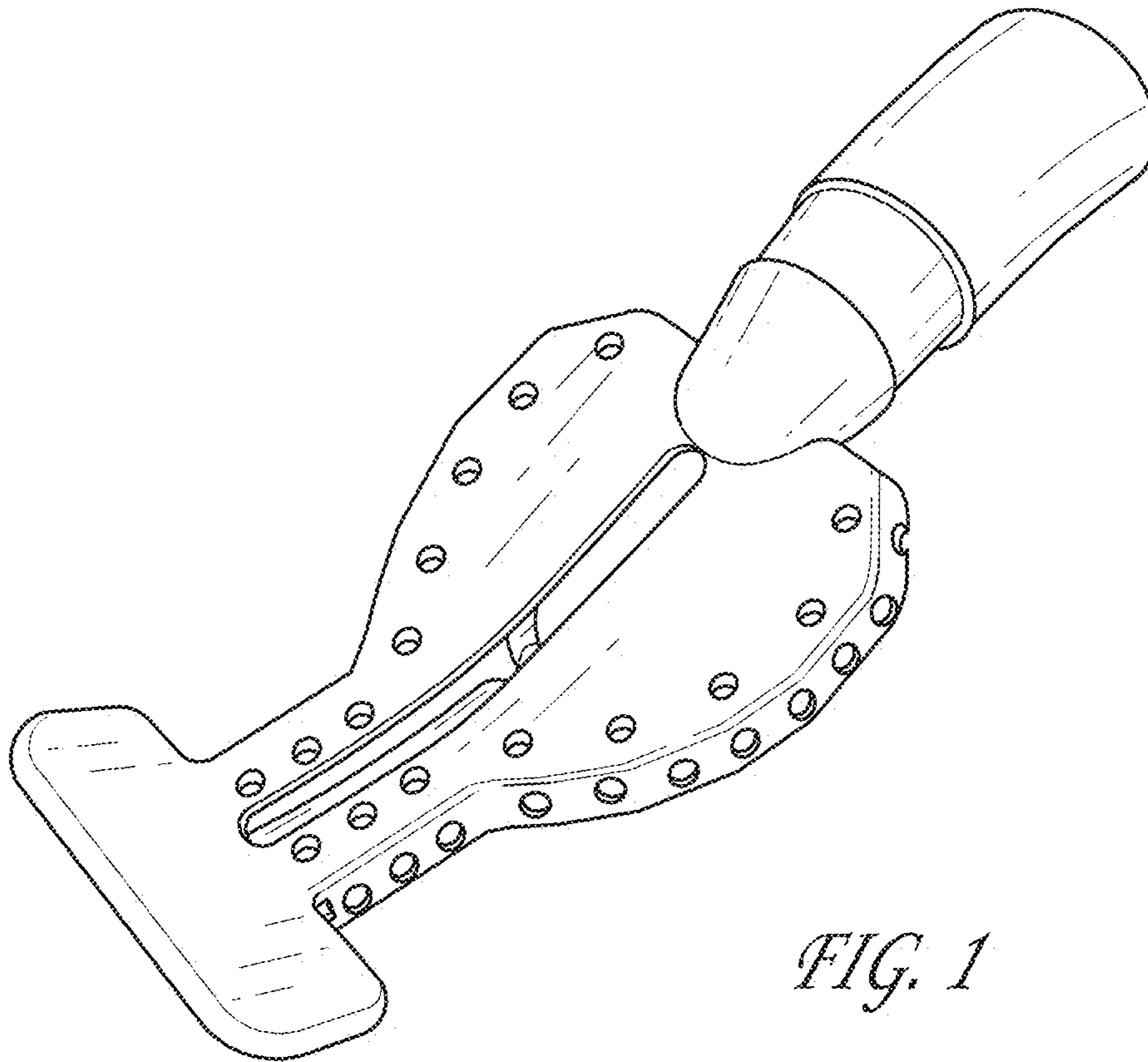
(56) **References Cited**

**U.S. PATENT DOCUMENTS**

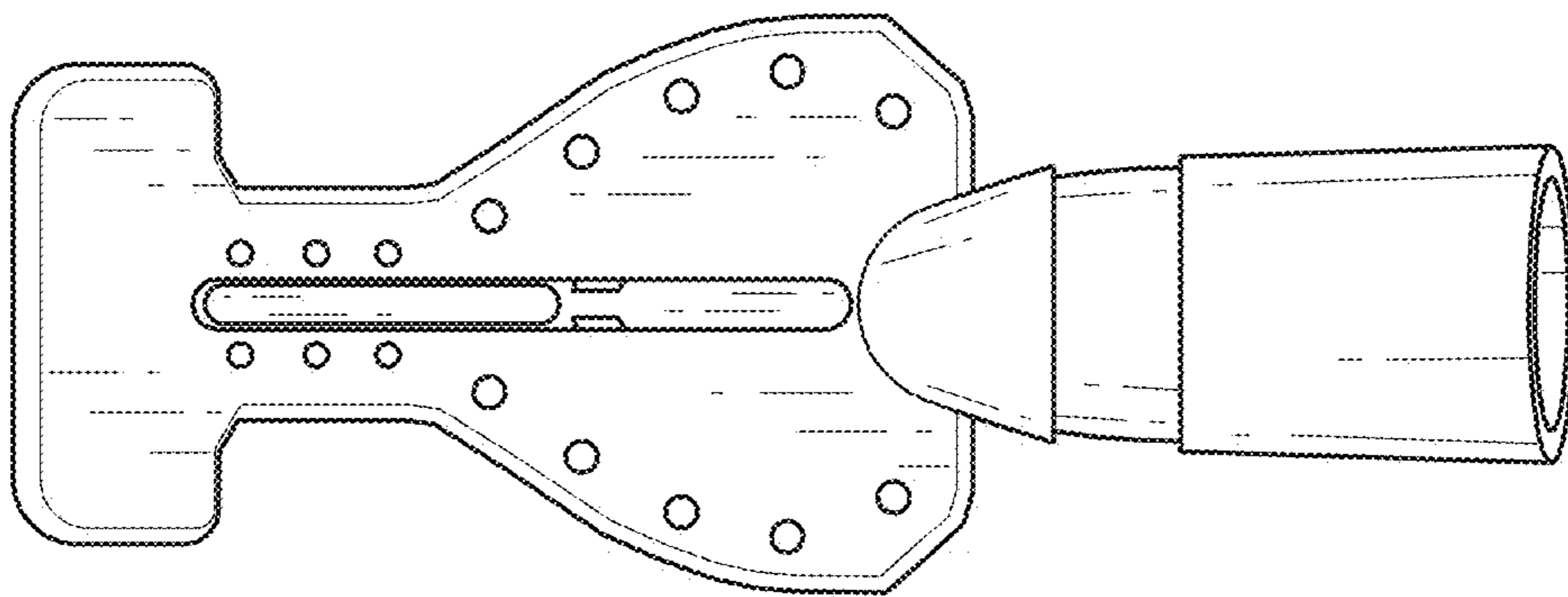
D495,799 S \* 9/2004 Hirsch et al. .... D24/152  
 6,974,321 B2 \* 12/2005 Hirsch et al. .... 433/93

**1 Claim, 3 Drawing Sheets**





*FIG. 1*



*FIG. 2*

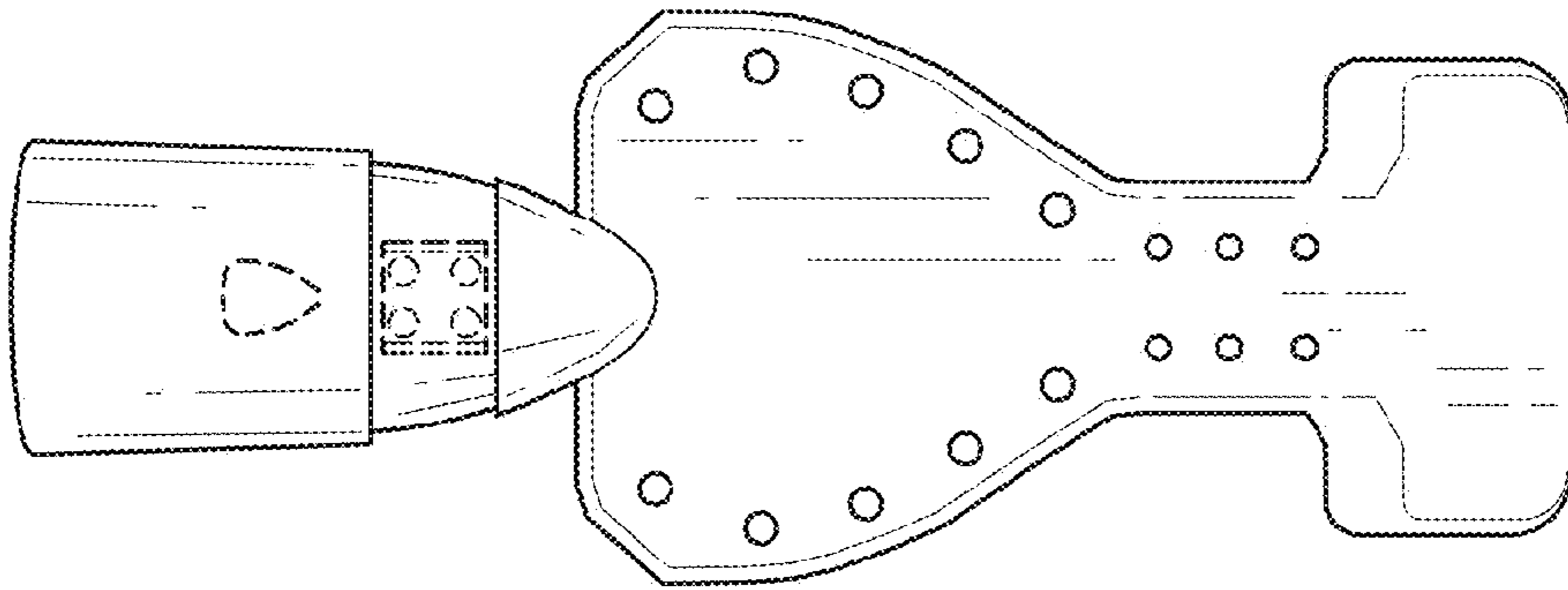


FIG. 3

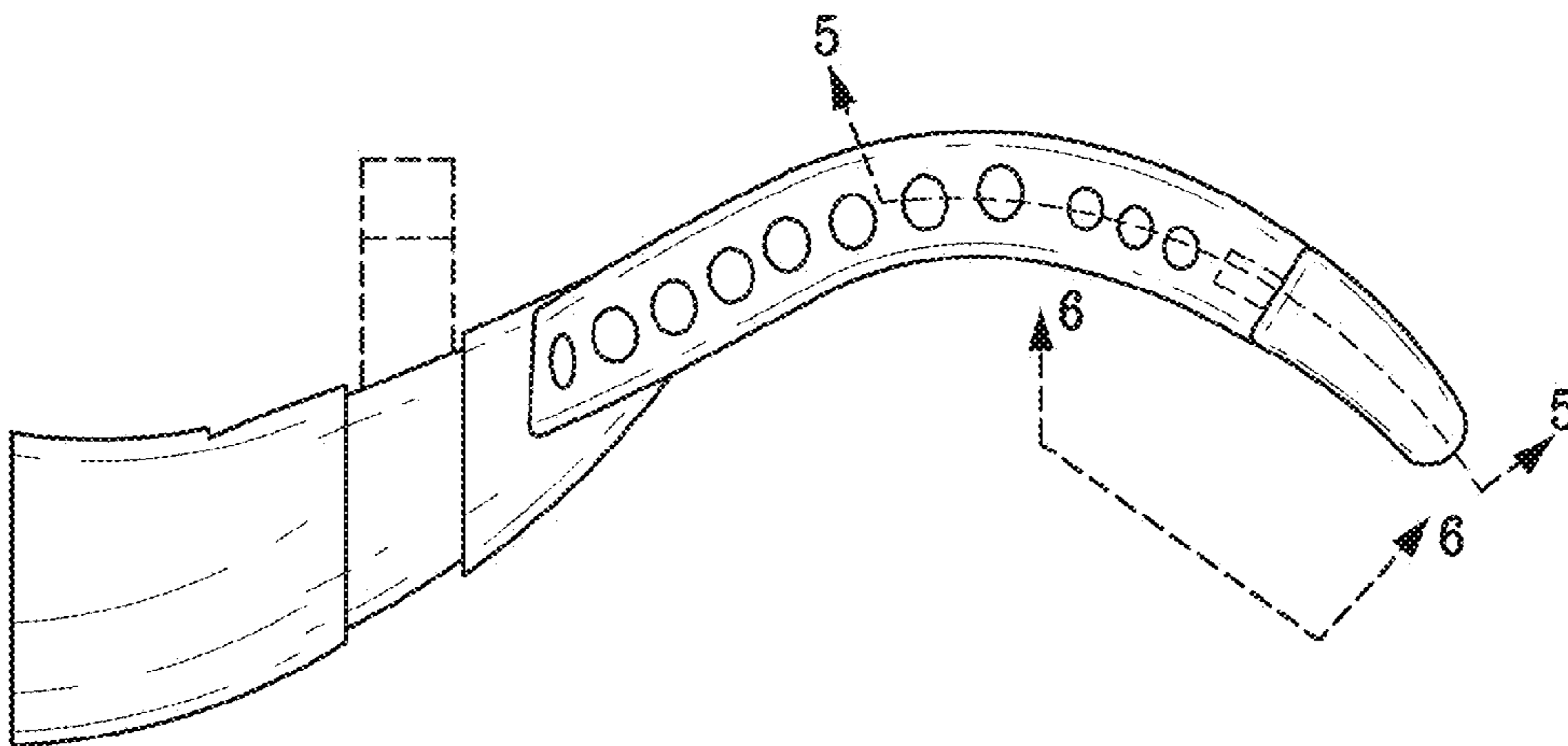


FIG. 4

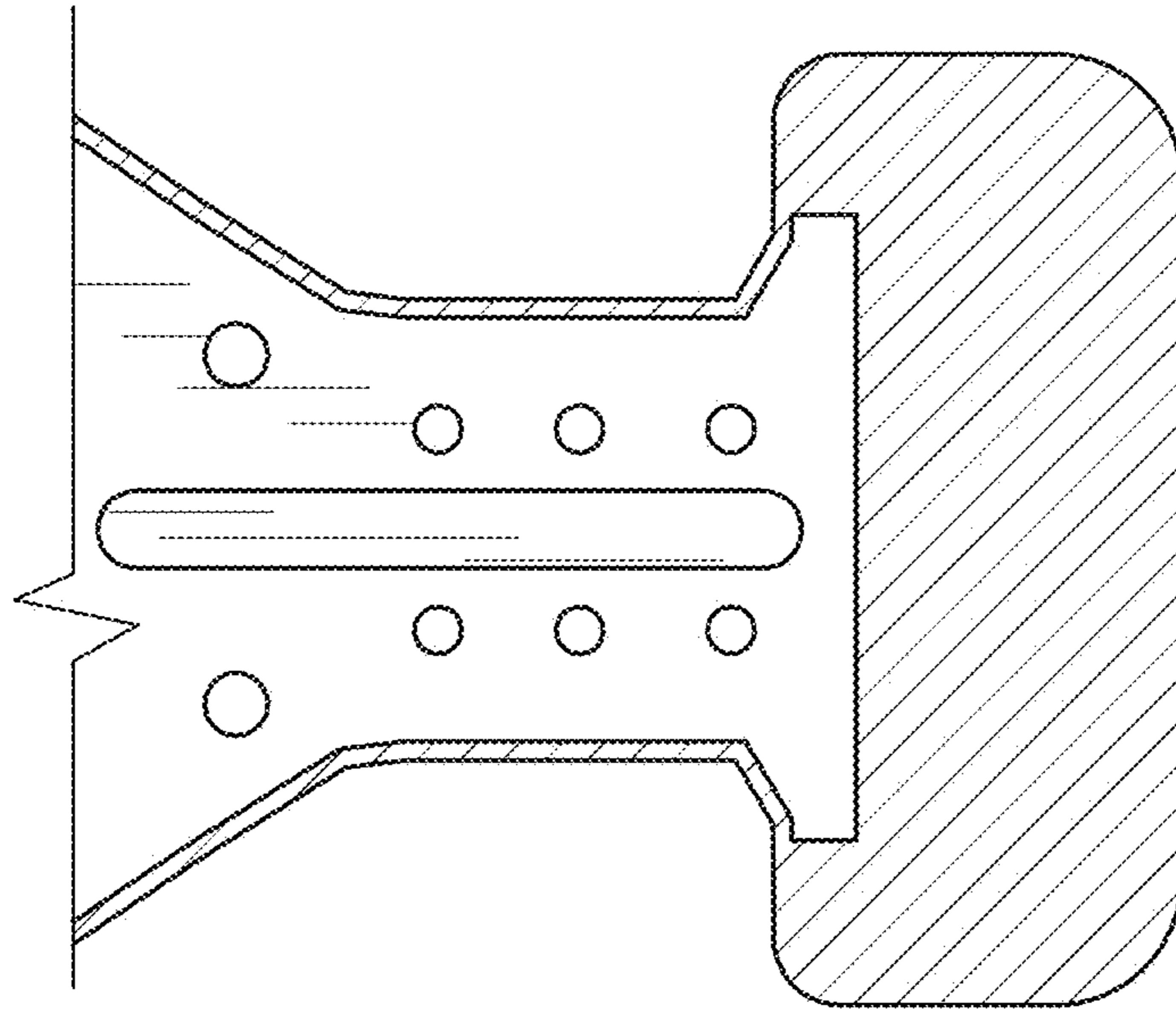


FIG. 5

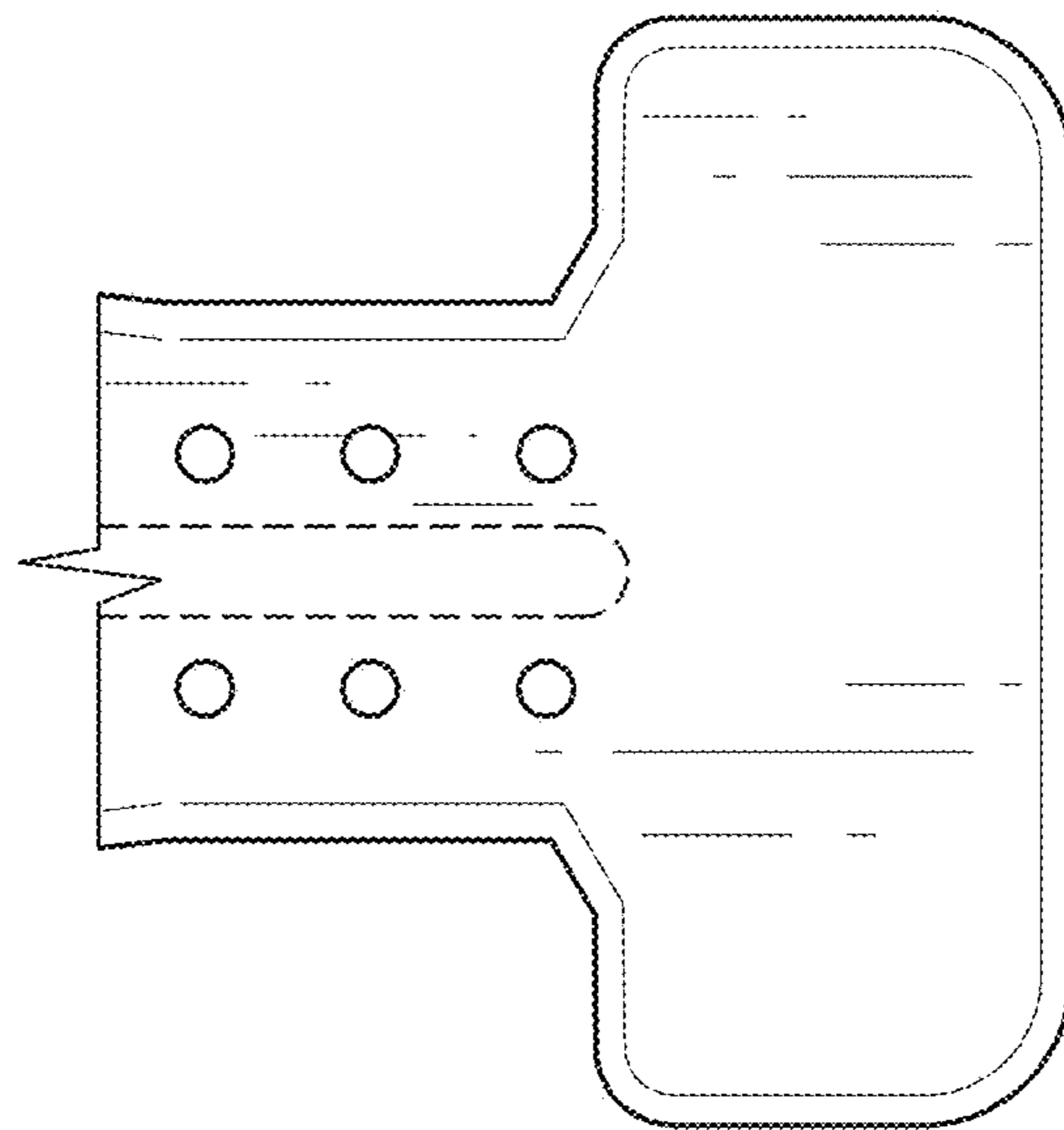


FIG. 6