

US00D734850S

(12) **United States Design Patent**  
**Chaney et al.**

(10) **Patent No.:** **US D734,850 S**  
(45) **Date of Patent:** **\*\* Jul. 21, 2015**

(54) **FEMORAL CUTTING BLOCK**

(71) Applicants: **Rebecca L. Chaney**, Warsaw, IN (US);  
**Craig S. Tsukayama**, Fort Wayne, IN  
(US); **Benjamin J. Sordelet**, Columbia  
City, IN (US); **Jonathan C. Lee**,  
Mishawaka, IN (US)

(72) Inventors: **Rebecca L. Chaney**, Warsaw, IN (US);  
**Craig S. Tsukayama**, Fort Wayne, IN  
(US); **Benjamin J. Sordelet**, Columbia  
City, IN (US); **Jonathan C. Lee**,  
Mishawaka, IN (US)

(73) Assignee: **DEPUY (IRELAND) (IE)**

(\*\*) Term: **14 Years**

(21) Appl. No.: **29/457,162**

(22) Filed: **Jun. 7, 2013**

(51) **LOC (10) Cl.** ..... **24-02**

(52) **U.S. Cl.**  
USPC ..... **D24/140**

(58) **Field of Classification Search**  
USPC ..... D24/133, 140, 143, 144, 145, 146, 147,  
D24/155, 171; 606/86 R, 88, 89  
CPC ..... A61B 17/17; A61B 17/1725; A61F 2/46;  
A61F 2/4601; A61F 2/4603; A61F 2/4607;  
A61F 2/461  
See application file for complete search history.

(56) **References Cited**

**U.S. PATENT DOCUMENTS**

D273,895 S *	5/1984	Kenna	.....	D24/140
D274,090 S *	5/1984	Kenna	.....	D24/140
D274,091 S *	5/1984	Kenna	.....	D24/140
D274,092 S *	5/1984	Kenna	.....	D24/140
4,703,751 A *	11/1987	Pohl	.....	606/62
2006/0241634 A1 *	10/2006	Tuttle et al.	.....	606/86
2009/0125114 A1	5/2009	May et al.		
2011/0093081 A1 *	4/2011	Chana et al.	.....	623/20.14
2013/0325014 A1	12/2013	Sordelet et al.		

2013/0325016 A1	12/2013	Sordelet et al.		
2013/0325018 A1	12/2013	Thomas et al.		
2013/0325019 A1	12/2013	Thomas et al.		
2013/0325021 A1	12/2013	Sordelet et al.		
2013/0325136 A1	12/2013	Thomas et al.		
2014/0243834 A1 *	8/2014	Chaney et al.	.....	606/88
2014/0276836 A1 *	9/2014	Chaney et al.	.....	606/80
2014/0276837 A1 *	9/2014	Chaney et al.	.....	606/80
2014/0276838 A1 *	9/2014	Tsukayama et al.	.....	606/80
2014/0276850 A1 *	9/2014	Chaney et al.	.....	606/84
2014/0276859 A1 *	9/2014	Chaney et al.	.....	606/88

**OTHER PUBLICATIONS**

Zimmer NexGen LCCK, Surgical Technique for use with LCCK  
4-in-1 Instrument, 2009, 52 pages.  
DePuy Orthopaedics, Inc., Sigma Revision and M.B.T. Revision  
Tray, Surgical Technique, 2008, 82 pages.

(Continued)

*Primary Examiner* — Bridget L Eland

(74) *Attorney, Agent, or Firm* — Barnes & Thornburg LLP

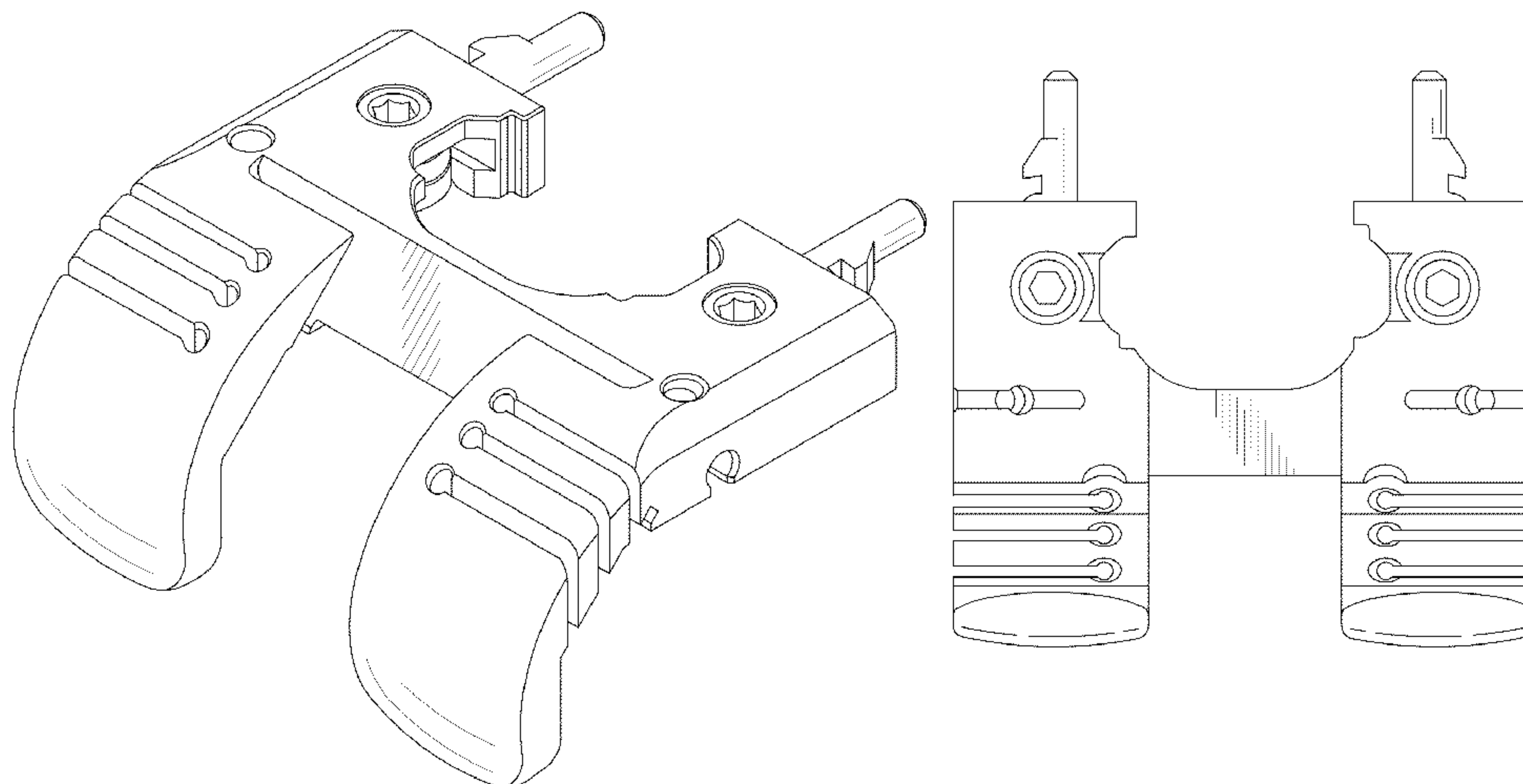
(57) **CLAIM**

We claim the ornamental design for a femoral cutting block,  
as shown and described.

**DESCRIPTION**

FIG. 1 is a perspective view of a femoral cutting block showing our design;  
FIG. 2 is a rear elevation view of the femoral cutting block of FIG. 1;  
FIG. 3 is a front elevation view of the femoral cutting block of FIG. 1;  
FIG. 4 is a first side elevation view of the femoral cutting block of FIG. 1;  
FIG. 5 is a second side elevation view of the femoral cutting block of FIG. 1;  
FIG. 6 is a top plan view of the femoral cutting block of FIG. 1; and,  
FIG. 7 is a bottom plan view of the femoral cutting block of FIG. 1.

**1 Claim, 5 Drawing Sheets**



(56)

**References Cited**

OTHER PUBLICATIONS

Smith & Nephew, Legion, Revision Knee System, Surgical Technique, 2005, 40 pages.

Biomet, Vanguard SSK, Revision System, Surgical Technique, Feb. 2008, 64 pages.

GMK Revision, Surgical Technique, Ref. 99.27.12US rev. 1, 1999, 74 pages.

PFC Sigma RP-F, Specialist 2 Instruments, Surgical Technique, Performance in Flexion, 2007, 32 pages.

P.F.C. Sigma Rotating Platform Knee System with M.B.T Tray, Primary Procedure with a Curved or Posterior Stabilised Implant, 2003, 43 pages.

LCS High Performance Instruments, Surgical Technique, 2008, 44 pages.

Sigma High Performance Instruments, Design Rationale, 2007, 12 pages.

Sigma High Performance Instruments, Classic Surgical Technique, 2010, 52 pages.

Attune Knee System Surgical Technique, 2013, 73 pages.

\* cited by examiner

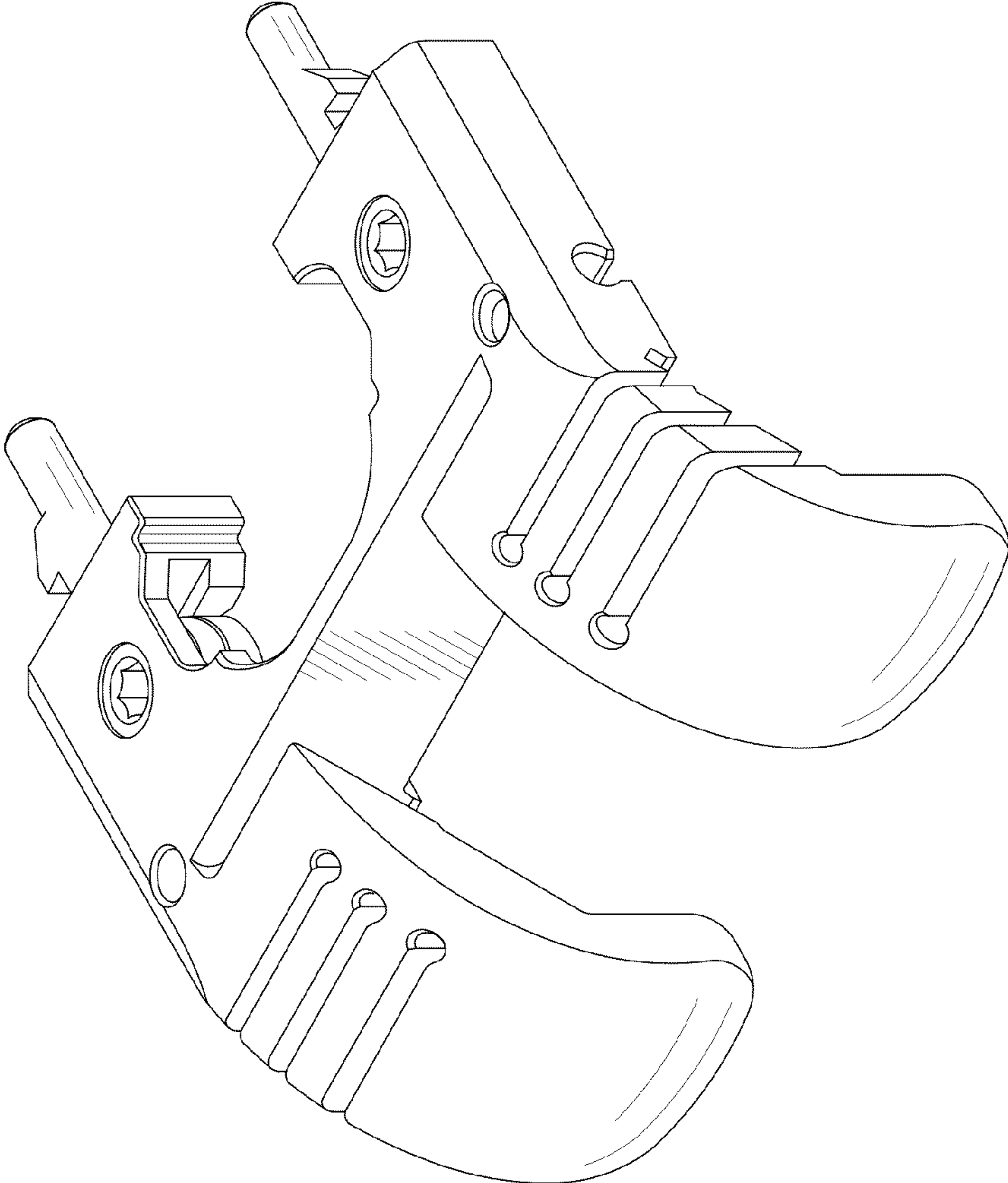


Fig. 1

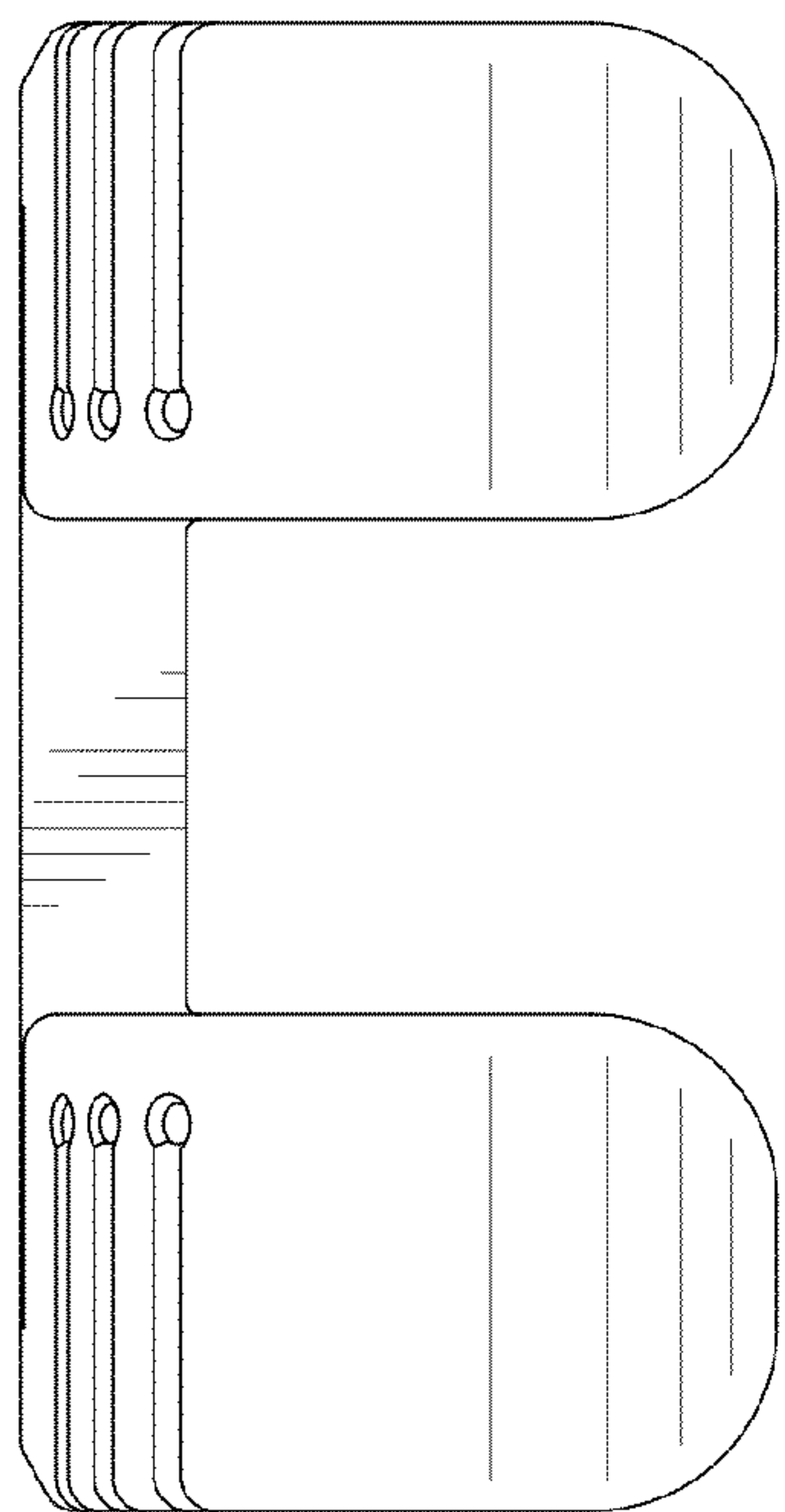


Fig. 2

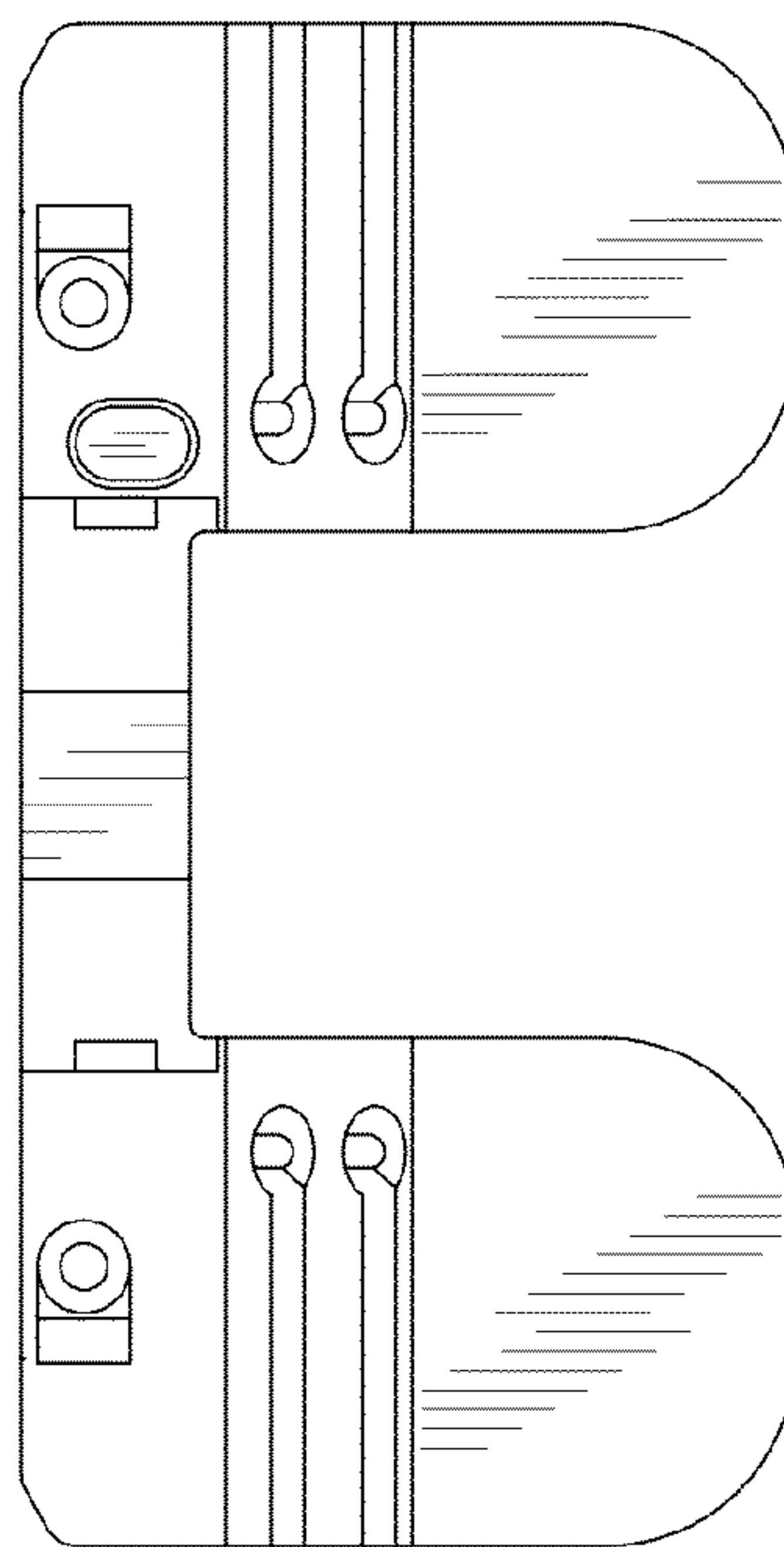


Fig. 3

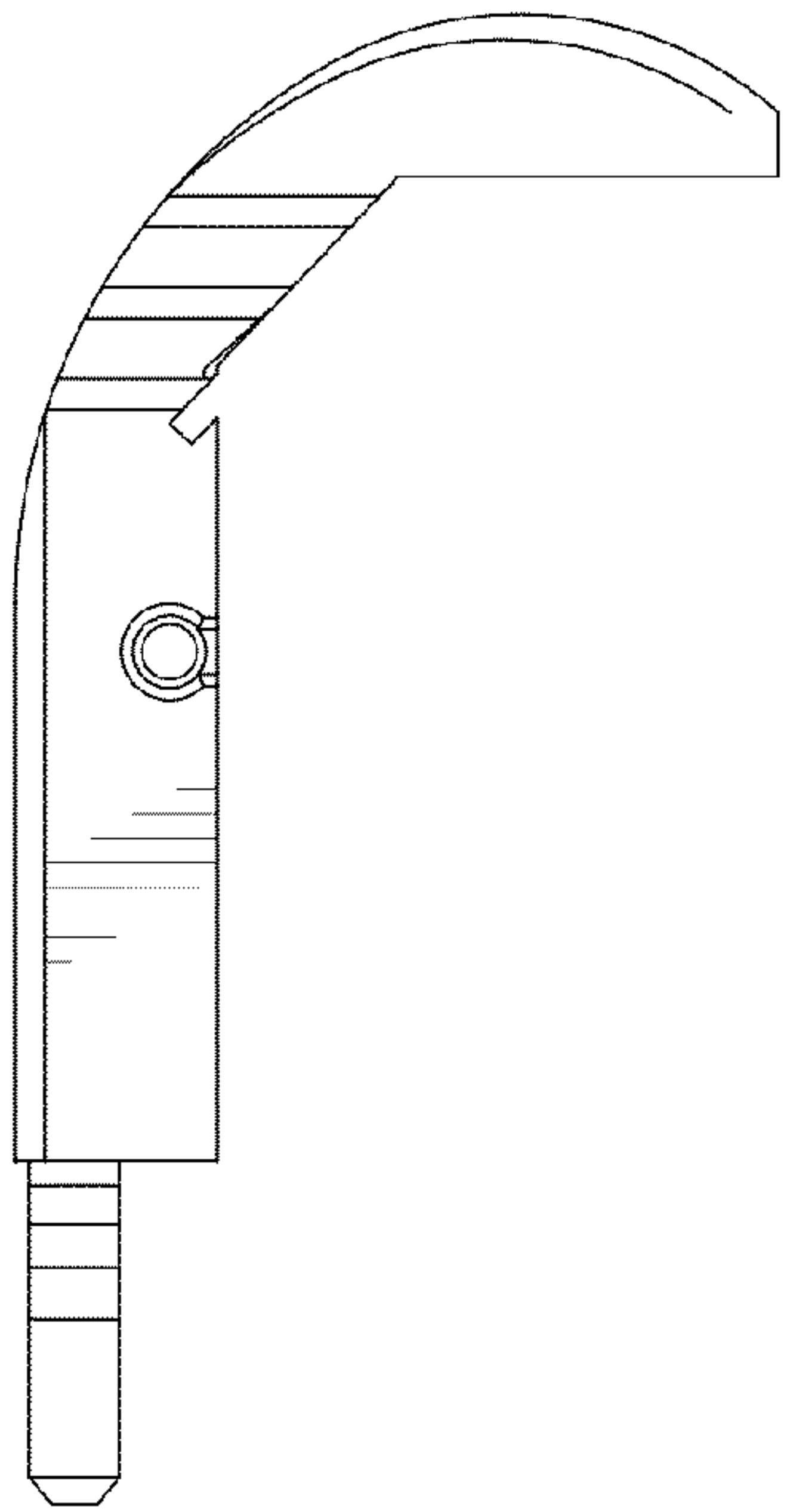


Fig. 4

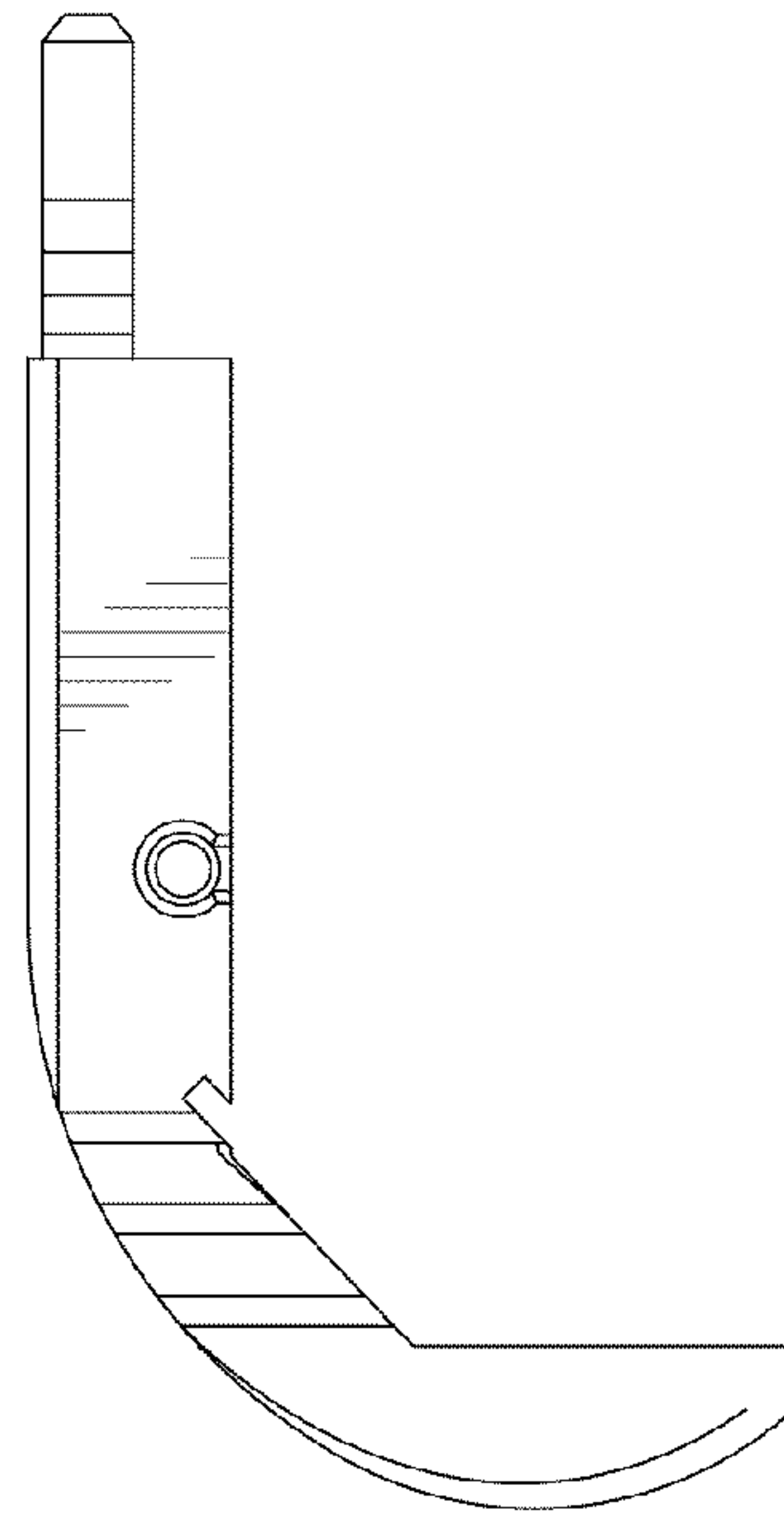


Fig. 5

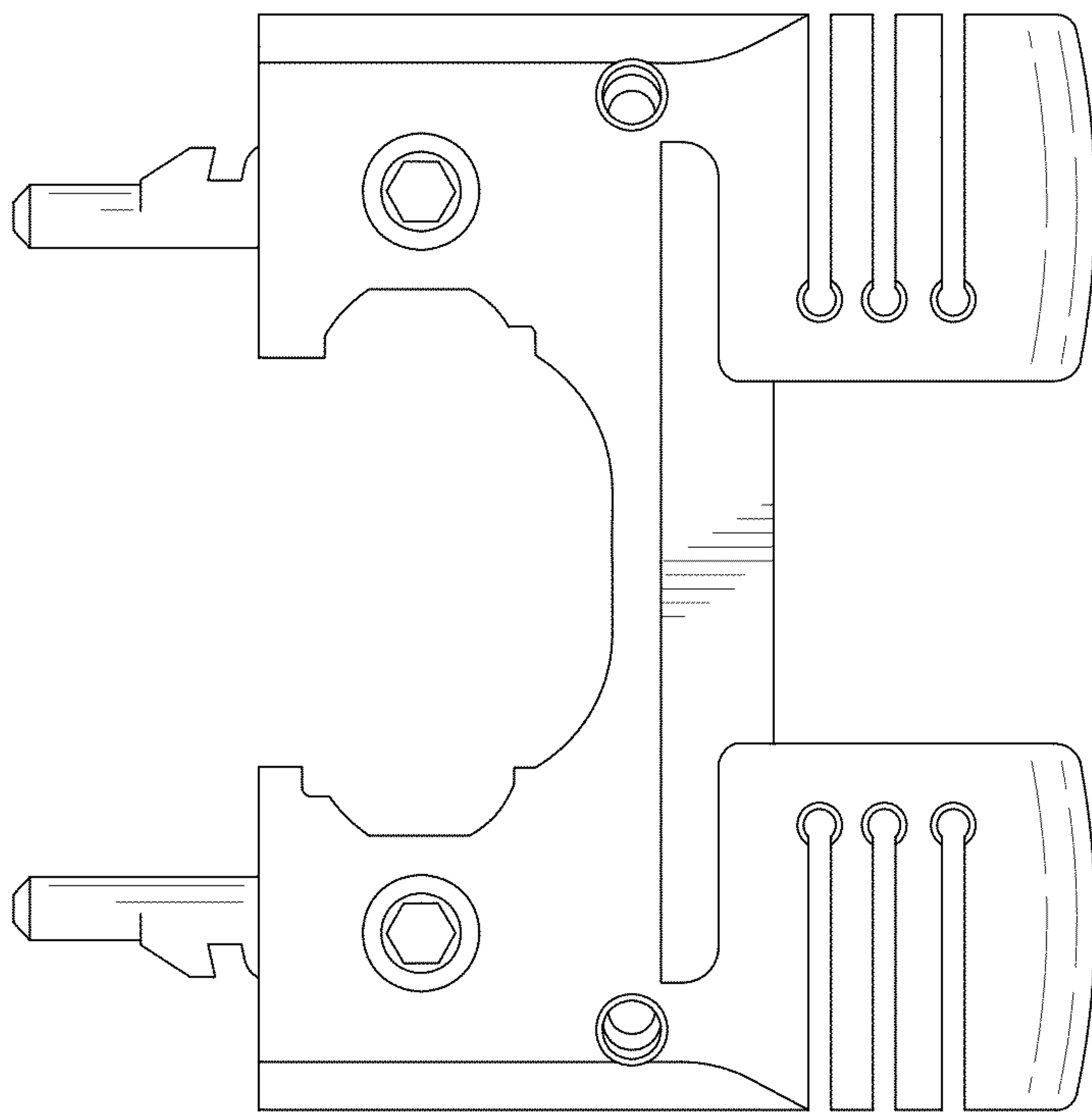


Fig. 6



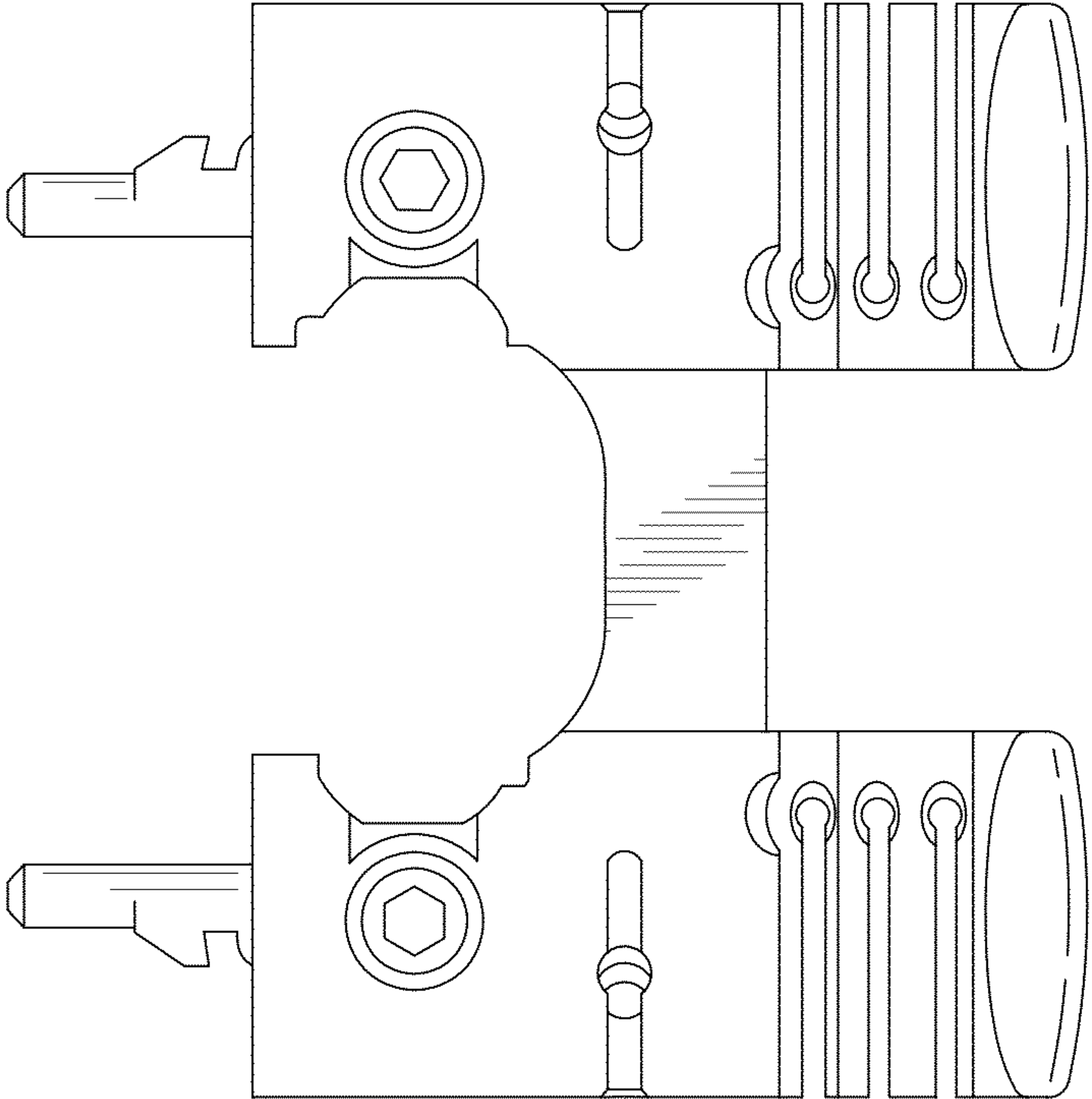


Fig. 7