

US00D734844S

(12) **United States Design Patent**  
**Thau**

(10) **Patent No.:** **US D734,844 S**  
(45) **Date of Patent:** **\*\* Jul. 21, 2015**

(54) **SCENT FLOW WALL**

(71) Applicant: **Thau Strategies Ltd.**, Netanya (IL)

(72) Inventor: **Lior Thau**, Beit Itzhak (IL)

(73) Assignee: **THAU STRATEGIES LTD.**, Netanya (IL)

(\*\*) Term: **14 Years**

(21) Appl. No.: **29/510,089**

(22) Filed: **Nov. 25, 2014**

(30) **Foreign Application Priority Data**

May 26, 2014 (IL) ..... 55636

(51) **LOC (10) Cl.** ..... **28-99**

(52) **U.S. Cl.**  
USPC ..... **D23/366**

(58) **Field of Classification Search**  
USPC ..... D23/355-369; D28/5, 6; 261/DIG. 17,  
261/DIG. 42, DIG. 65, DIG. 88, DIG. 89;  
392/386, 390, 394, 395, 397; 239/34,  
239/44, 53, 55, 56, 326  
CPC ..... A61L 9/00; A61L 9/02; A61L 9/03;  
A61L 9/032; A61L 9/035; A61L 9/037;  
A61L 9/04; A61L 9/12; A61L 9/22  
See application file for complete search history.

(56) **References Cited**

**U.S. PATENT DOCUMENTS**

D323,210 S \* 1/1992 Wortham ..... D23/364  
D323,883 S \* 2/1992 Caporale ..... D23/366  
D323,884 S \* 2/1992 Muderlak ..... D23/366

D366,521 S \* 1/1996 Wijaranakula ..... D23/366  
D373,627 S \* 9/1996 Specht ..... D23/366  
D374,924 S \* 10/1996 Cramer ..... D23/366  
D402,022 S \* 12/1998 Termeer et al. .... D23/364  
D402,746 S \* 12/1998 Clark et al. .... D23/364  
D501,676 S \* 2/2005 Millan ..... D23/366  
D578,197 S \* 10/2008 Spiegel ..... D23/364  
D609,321 S \* 2/2010 Tomasulo et al. .... D23/366  
D629,499 S \* 12/2010 Malle ..... D23/366  
D652,906 S \* 1/2012 Sumikawa ..... D23/366  
D666,283 S \* 8/2012 Mandell et al. .... D23/366  
D680,638 S \* 4/2013 Chou ..... D23/366

\* cited by examiner

*Primary Examiner* — Sandra Snapp

(74) *Attorney, Agent, or Firm* — Pearl Cohen Zedek Latzer Baratz LLP

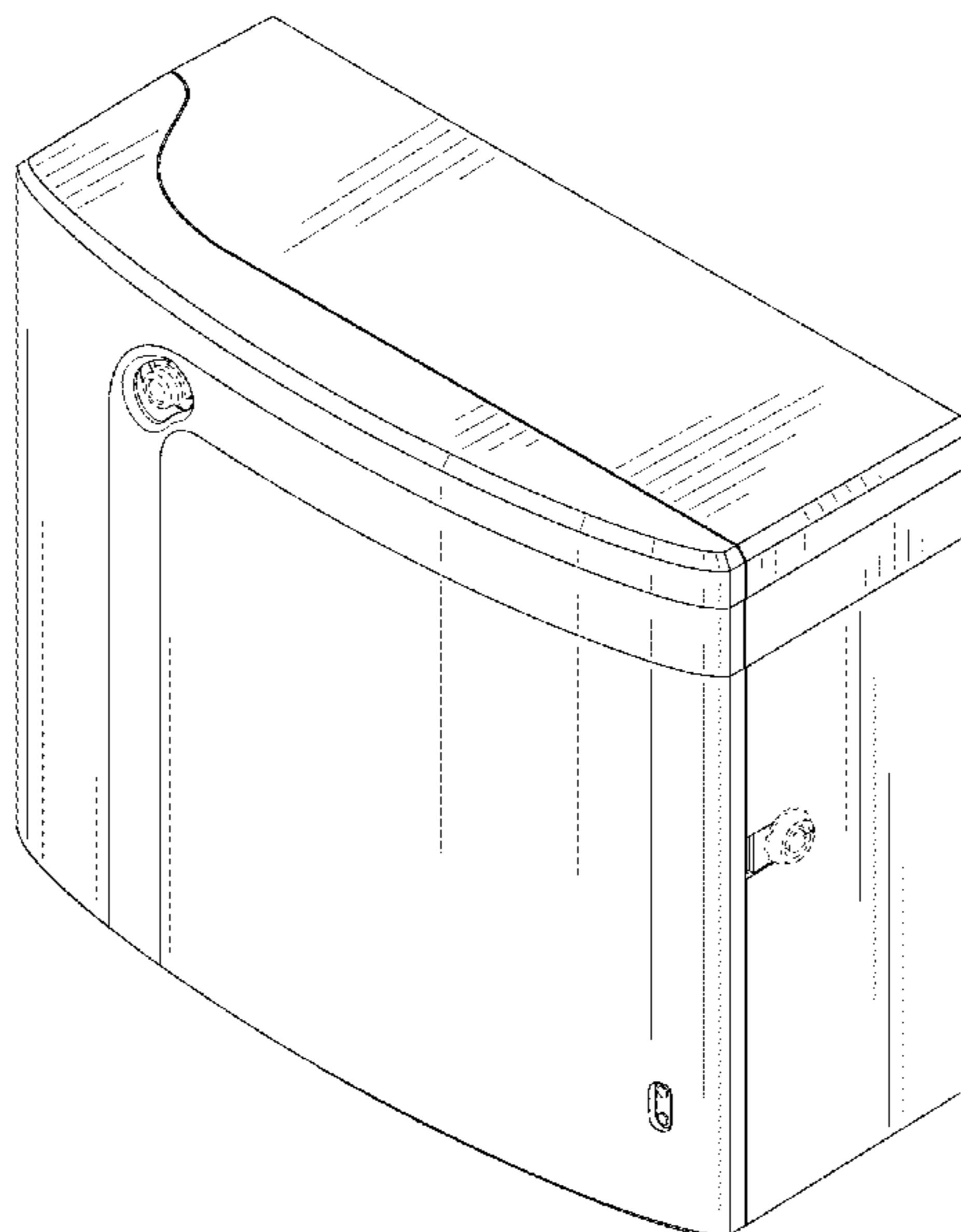
(57) **CLAIM**

The ornamental design for a scent flow wall, as shown and described.

**DESCRIPTION**

FIG. 1 is a top, front, right side perspective view of the scent flow wall;  
FIG. 2 is a front elevational view thereof;  
FIG. 3 is a rear elevational view thereof;  
FIG. 4 is a right side elevational view thereof;  
FIG. 5 is a left side elevational view thereof;  
FIG. 6 is a top plan view thereof;  
FIG. 7 is a bottom plan view thereof;  
FIG. 8 is a rear, top, left side perspective view thereof; and,  
FIG. 9 is a bottom, front, right side perspective view thereof.  
The broken lines shown in the drawings represent portions of the scent flow wall which form no part of the claimed design.

**1 Claim, 9 Drawing Sheets**



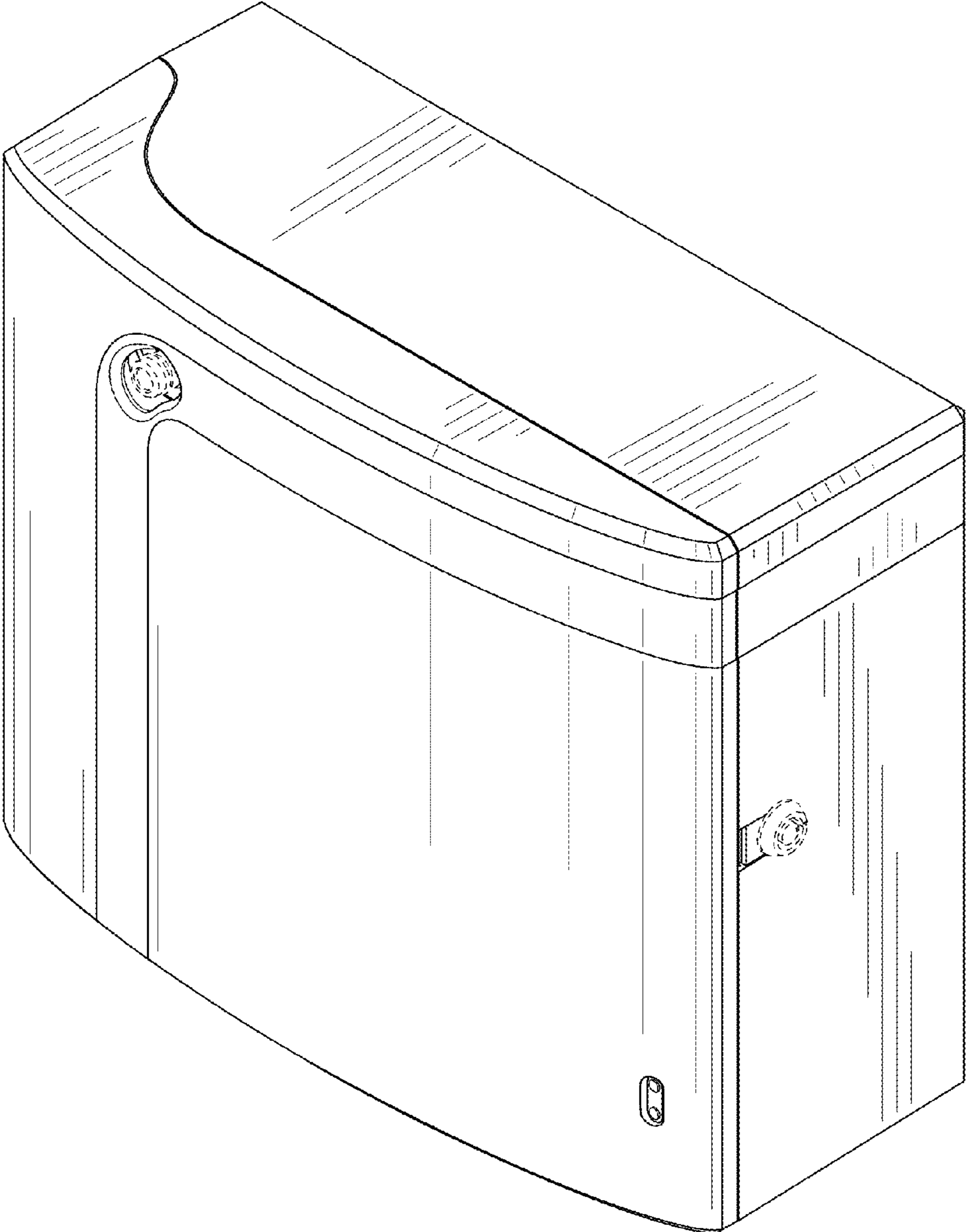


FIG. 1

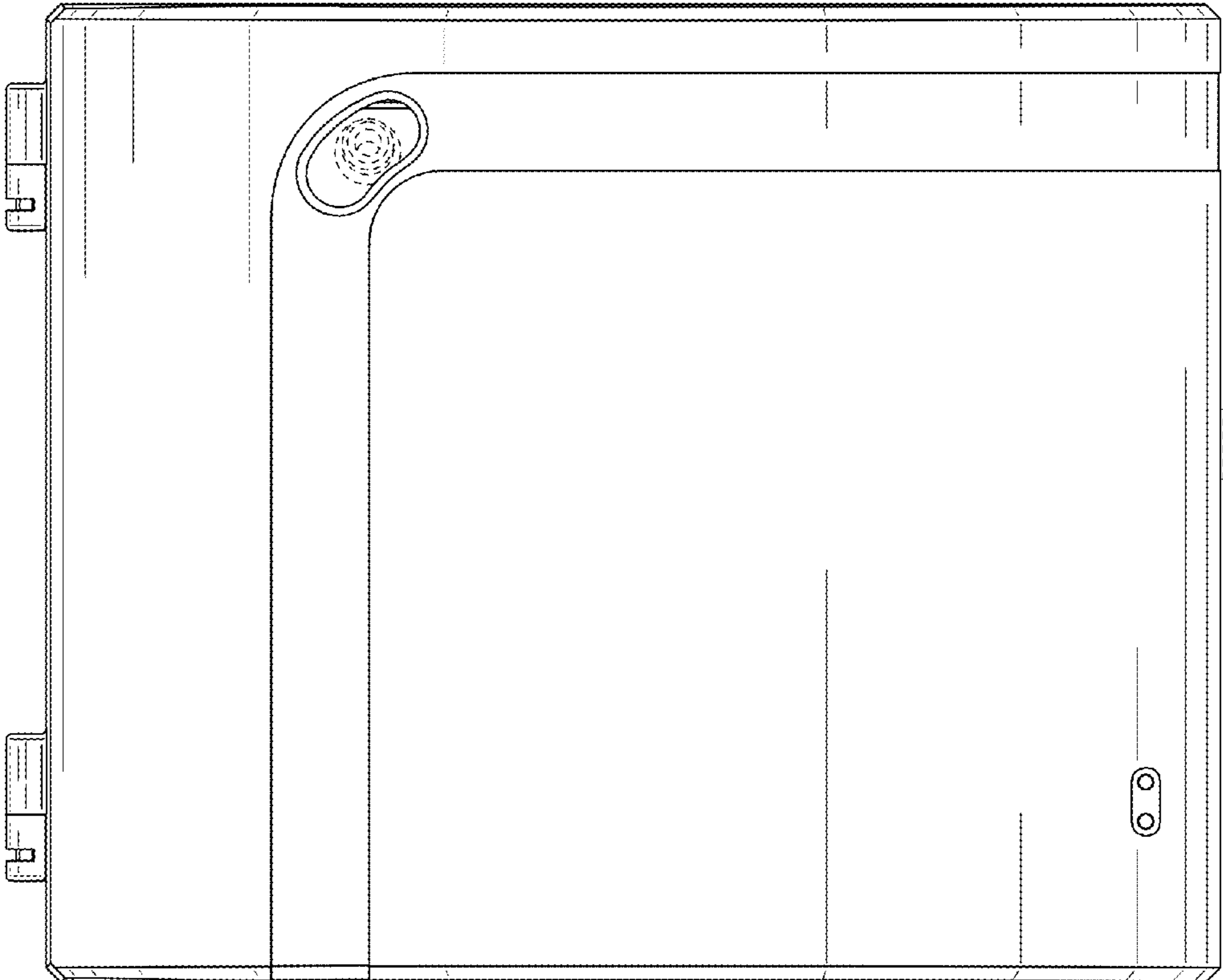


FIG. 2

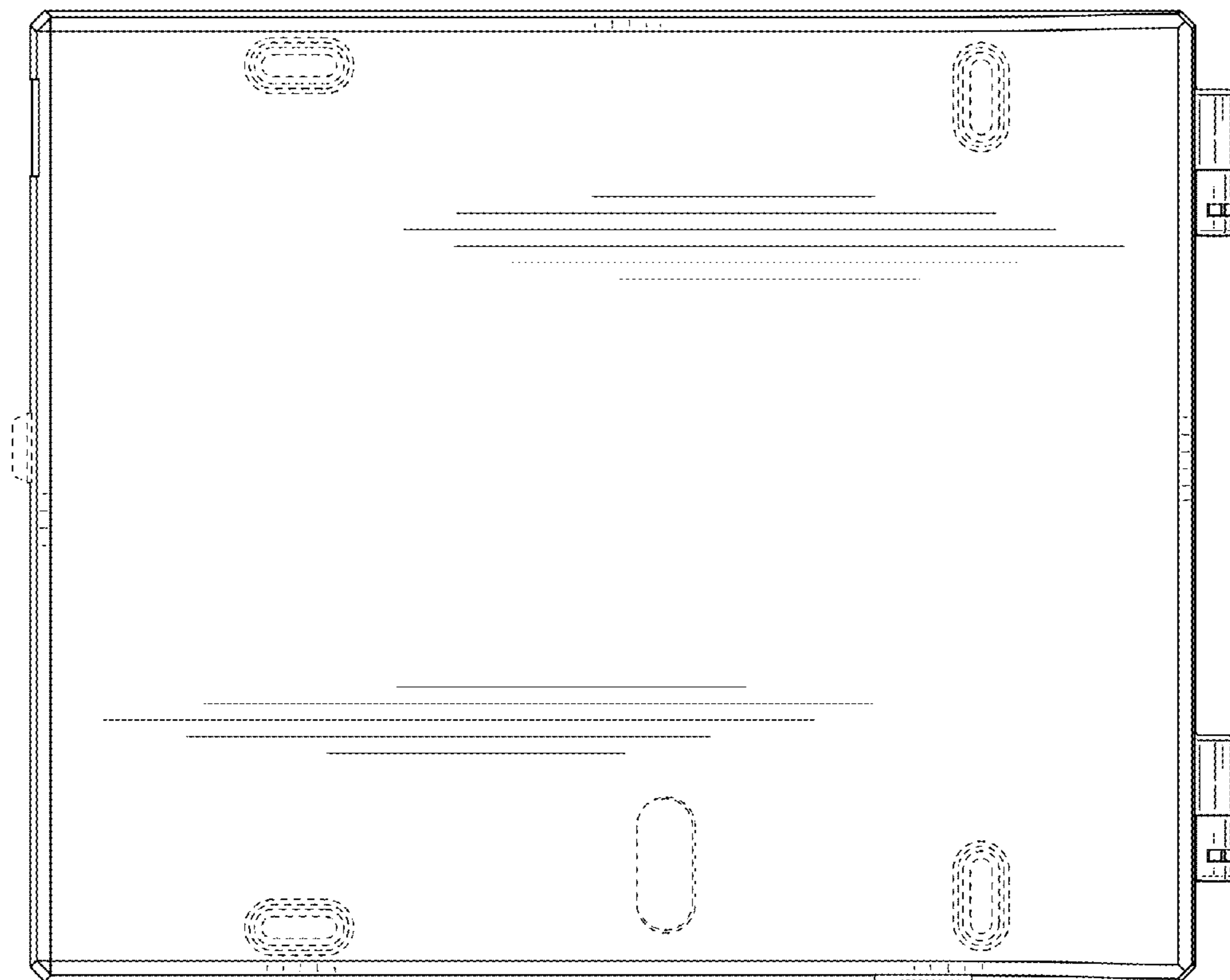


FIG. 3

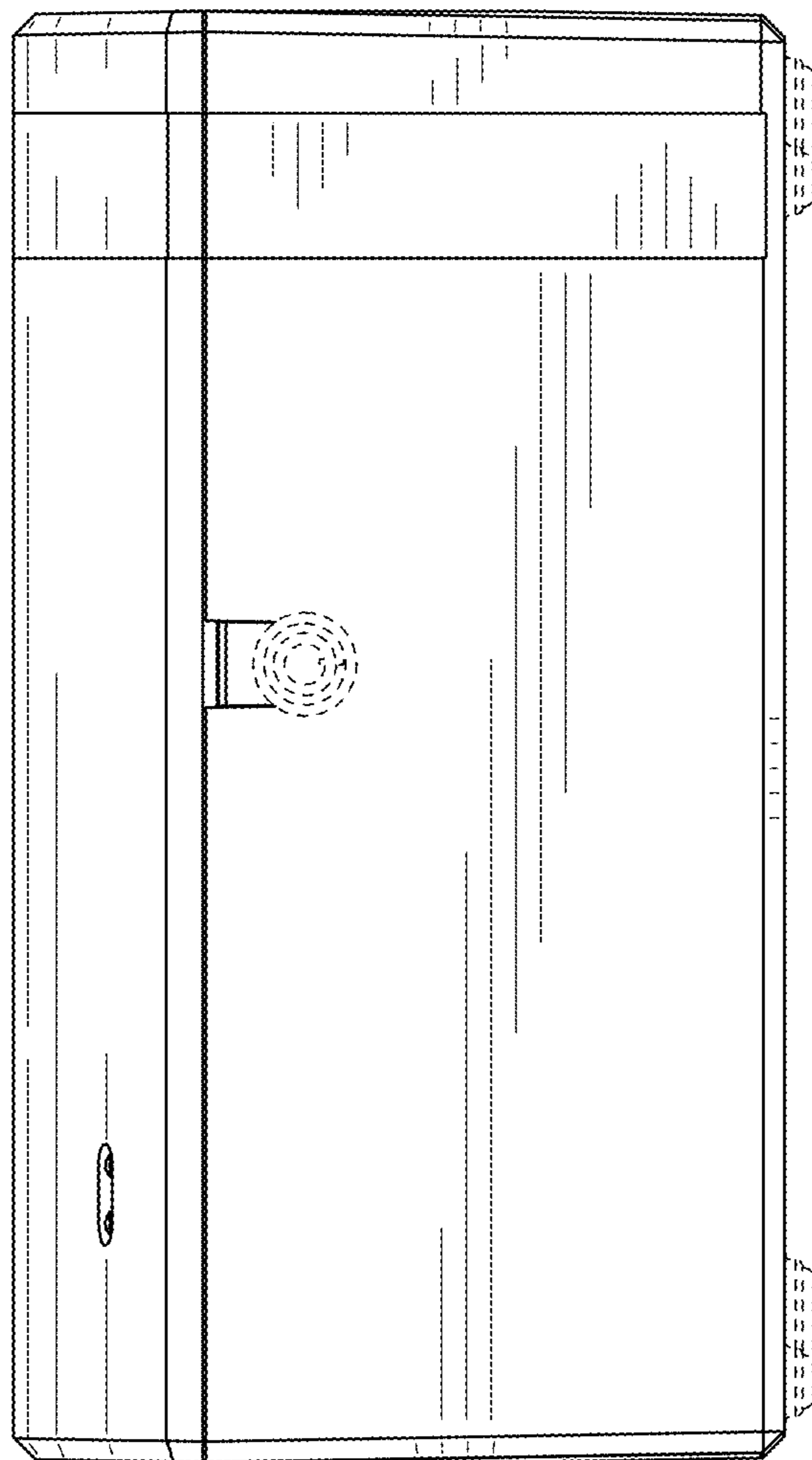


FIG. 4

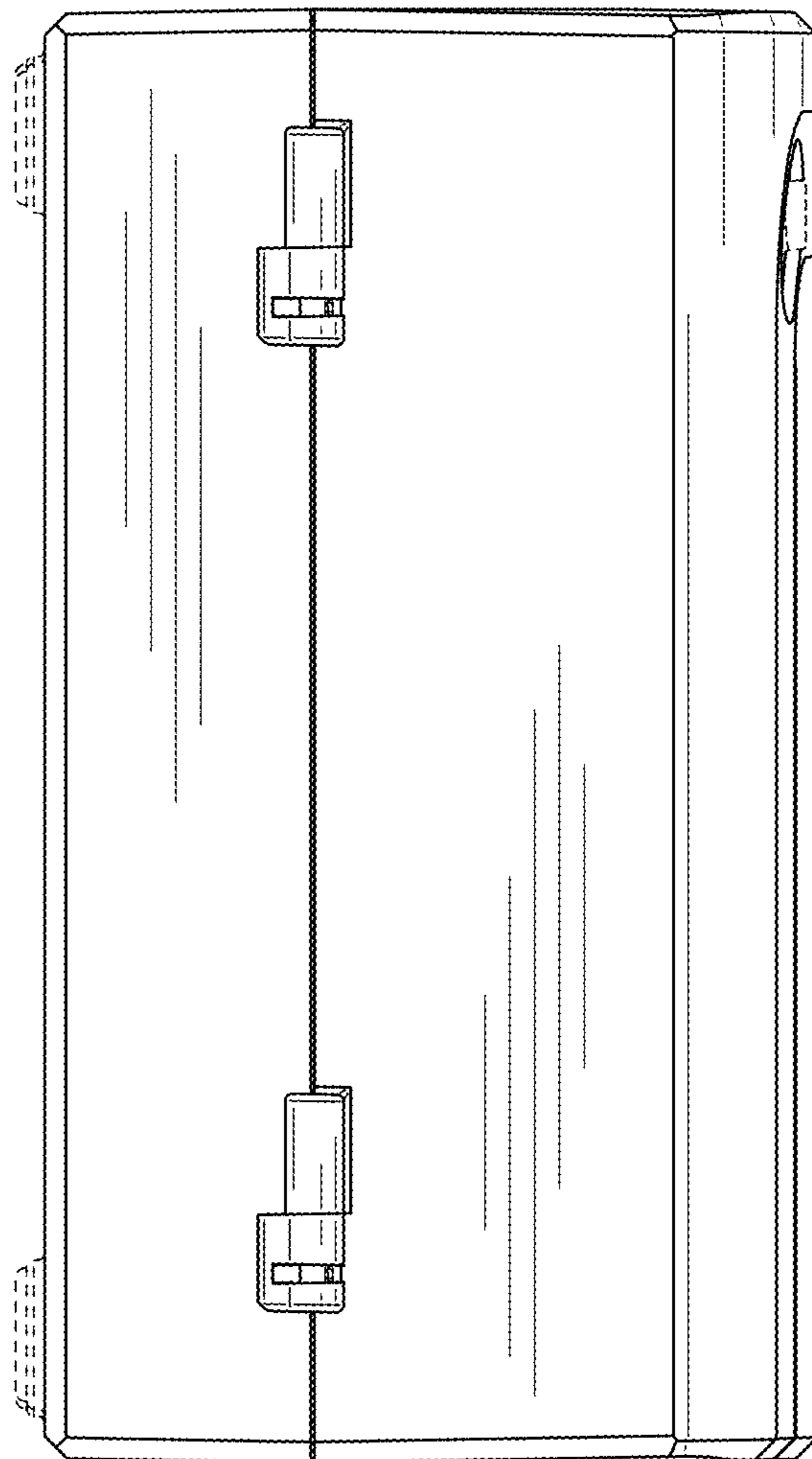


FIG. 5

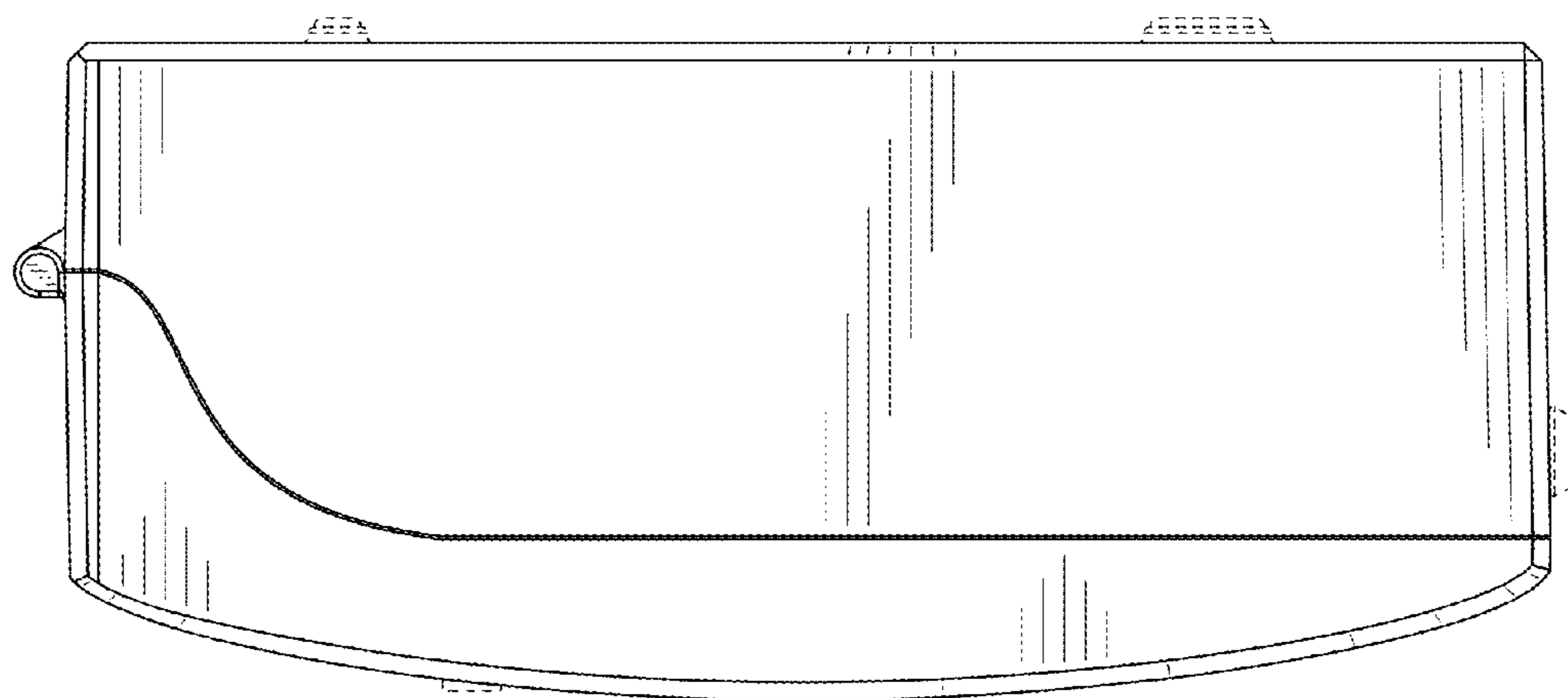


FIG. 6

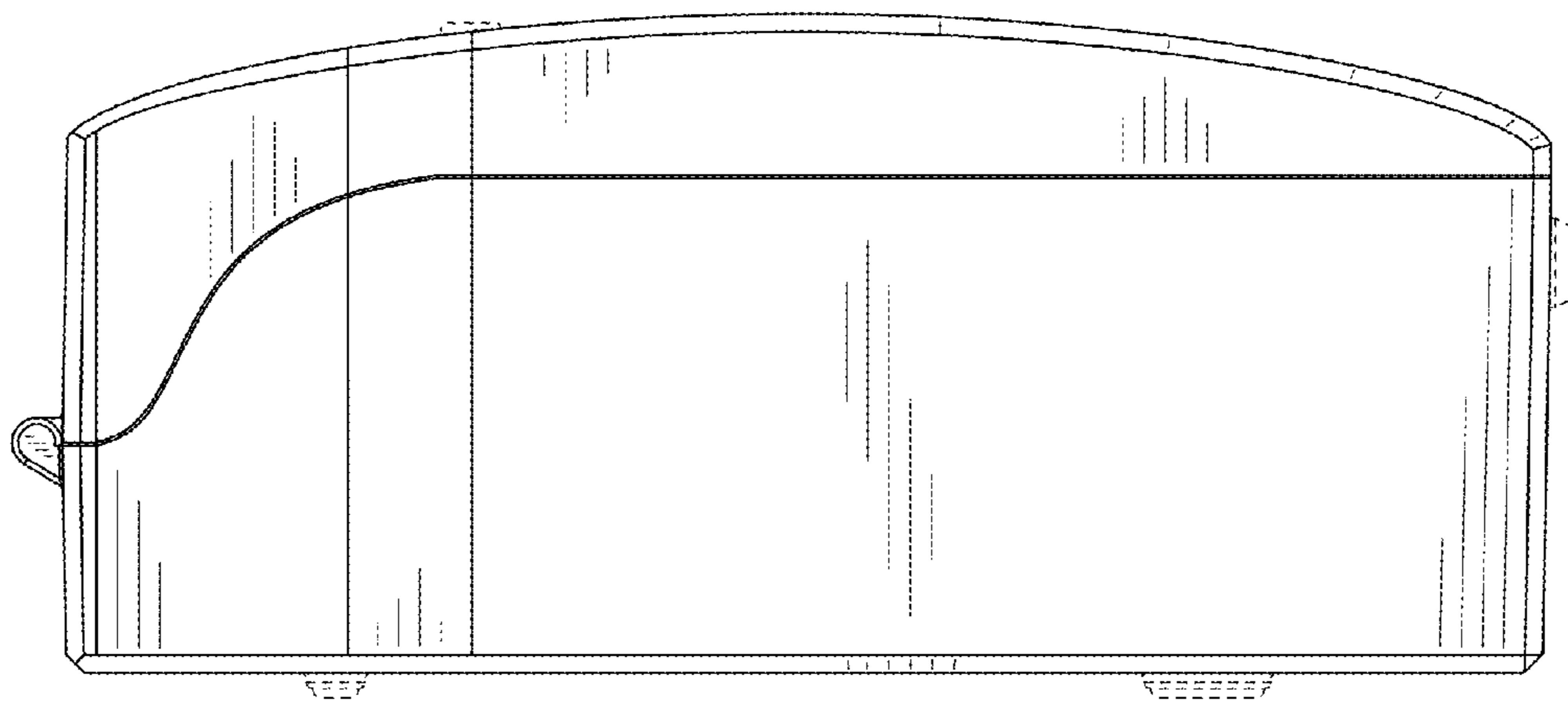


FIG. 7



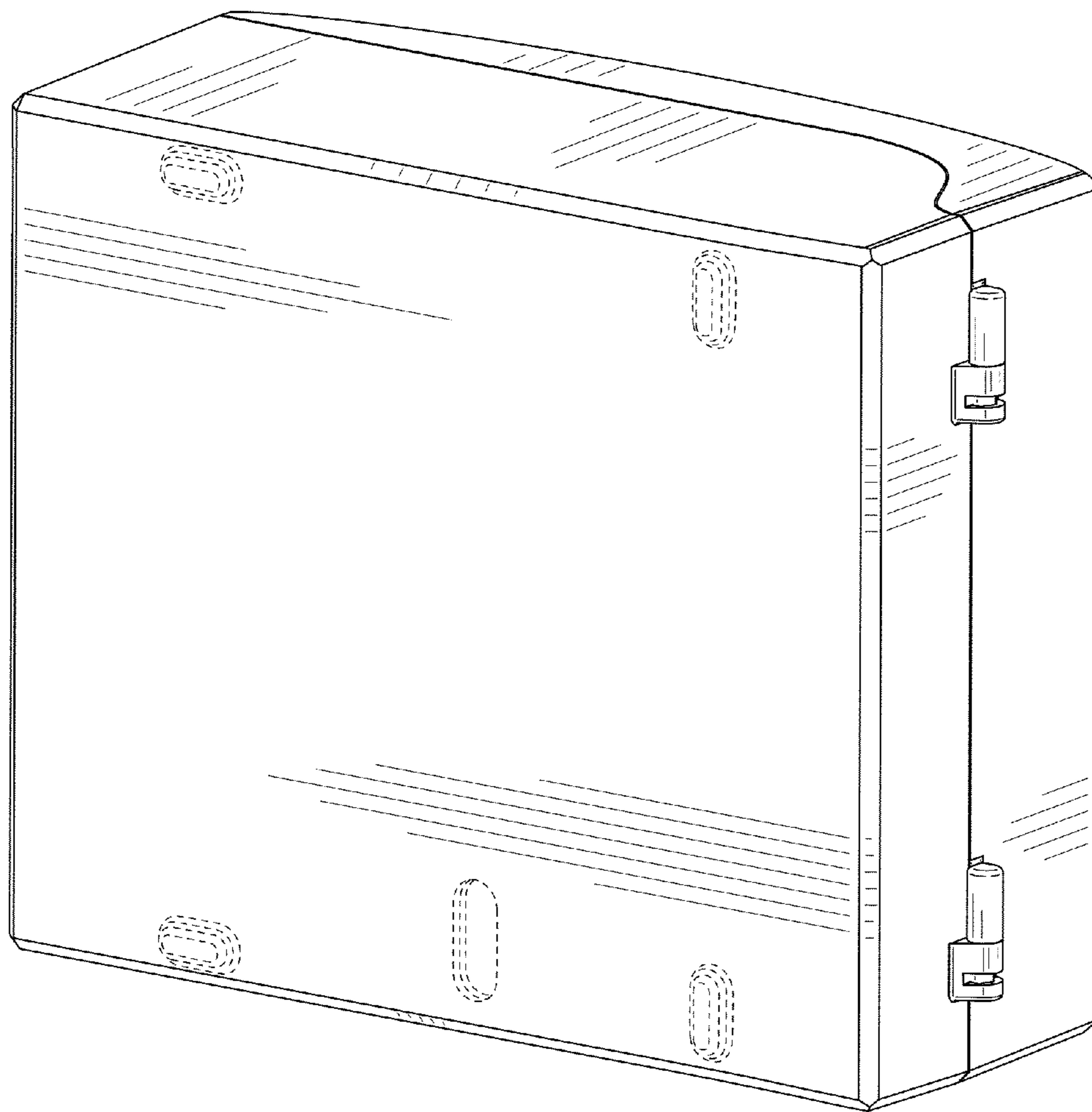


FIG. 8

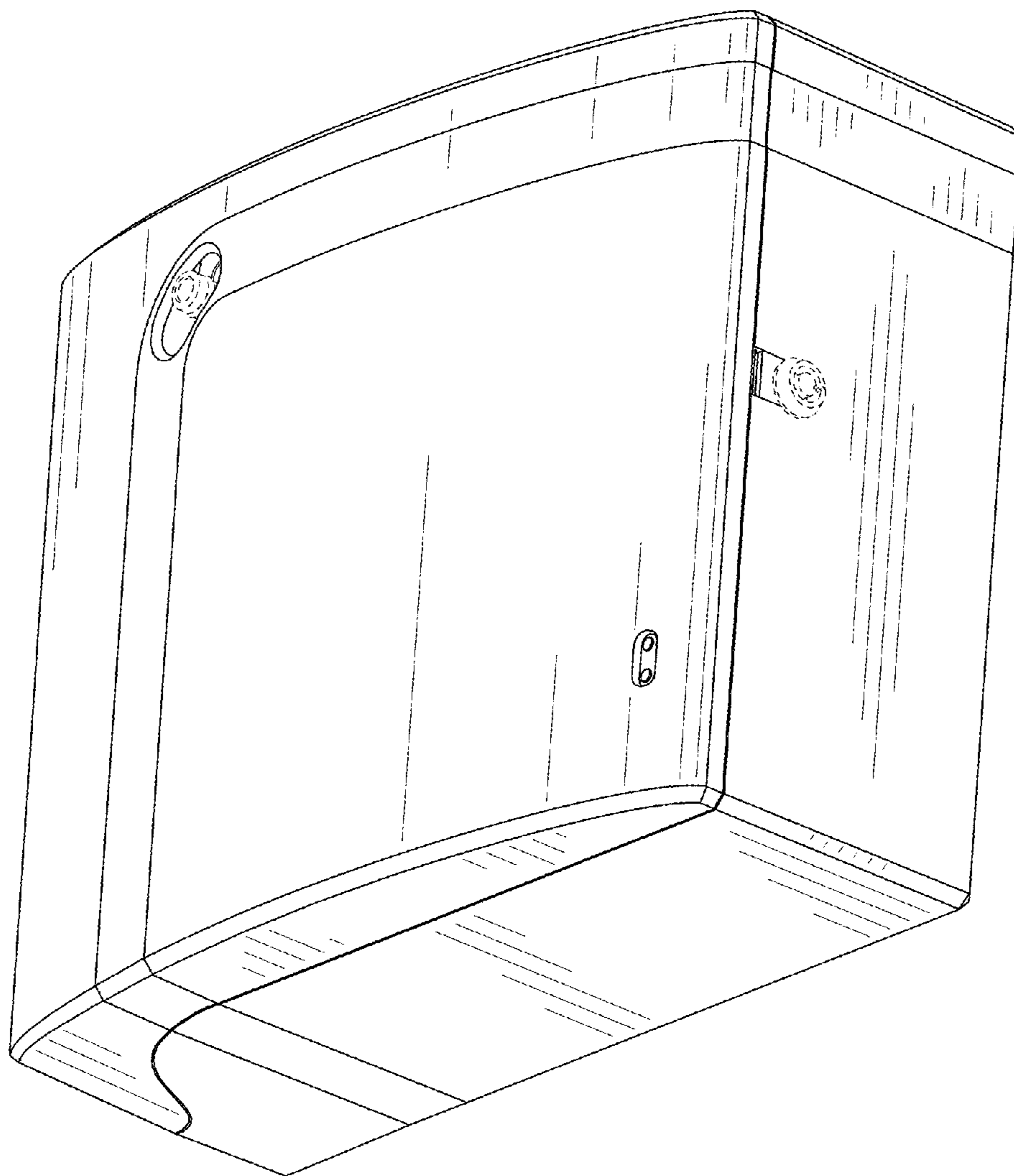


FIG. 9