



US00D734842S

(12) **United States Design Patent**  
**Goodson**

(10) **Patent No.:** **US D734,842 S**  
(45) **Date of Patent:** **\*\* Jul. 21, 2015**

(54) **FIREPLACE UNIT**

FOREIGN PATENT DOCUMENTS

(76) Inventor: **Thomas B. Goodson**, Dallas, TX (US)

WO 2012106435 A1 8/2012

(\*\*) Term: **14 Years**

OTHER PUBLICATIONS

(21) Appl. No.: **29/420,118**

What is a Rumford Fireplace Anyway?, <http://www.rumford.com/articleWhat.html>, Jan. 21, 2012, pp. 1-2.  
Classic Flyer Plan—Rumford Fireplace, <http://www.rumford.com/classicflyerplan.html>, Jan. 21, 2012, p. 1.  
International Preliminary Report on Patentability in International PCT Application No. PCT/US2012/023493, Aug. 15, 2013, pp. 1-7.

(22) Filed: **May 4, 2012**

(51) **LOC (10) Cl.** ..... **23-03**

(52) **U.S. Cl.**  
USPC ..... **D23/332; D23/343**

\* cited by examiner

(58) **Field of Classification Search**  
USPC ..... D23/343, 345, 350, 404, 409, 406, 314,  
D23/332, 317, 338, 339, 340, 342, 346;  
126/500, 512, 25 R, 527, 536, 544, 555,  
126/58, 8

*Primary Examiner* — T. Chase Nelson  
*Assistant Examiner* — Ania Aman  
(74) *Attorney, Agent, or Firm* — Grady K. Bergen; Griggs Bergen LLP

See application file for complete search history.

(57) **CLAIM**  
The ornamental design for a fireplace unit, as shown and described.

(56) **References Cited**

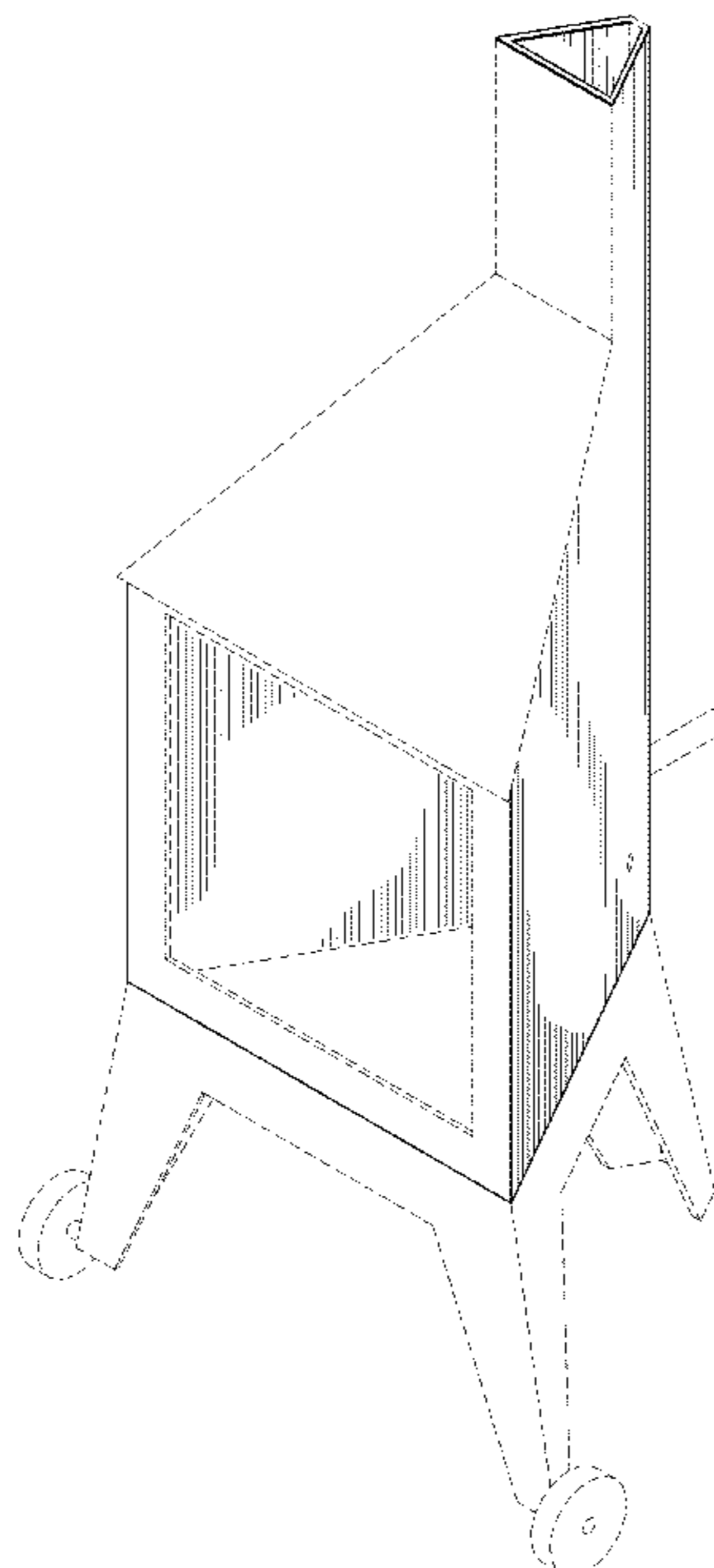
**DESCRIPTION**

U.S. PATENT DOCUMENTS

3,227,149	A *	1/1966	Clark	.....	126/4
D233,607	S *	11/1974	Welk	.....	D23/350
D235,868	S *	7/1975	Bade	.....	D23/350
D243,092	S *	1/1977	Sheth	.....	D23/348
D244,199	S *	5/1977	Davis	.....	D23/350
D247,719	S *	4/1978	Peterman	.....	D23/350
D301,609	S *	6/1989	Senf	.....	D23/343
5,009,220	A	4/1991	Cornelison		
6,024,085	A	2/2000	Hodge et al.		
6,098,614	A	8/2000	Fleming		
6,178,965	B1	1/2001	Sulak		
D470,583	S	2/2003	Klemming		
6,953,037	B2	10/2005	Rumens		
2004/0200470	A1	10/2004	Rumens		
2012/0204857	A1	8/2012	Goodson		
2013/0118476	A1*	5/2013	Wise et al.	.....	126/552

FIG. 1 is a front perspective view of a fireplace unit;  
FIG. 2 is a front elevational view of the fireplace unit of FIG. 1;  
FIG. 3 is a rear elevational view of the fireplace unit of FIG. 1;  
FIG. 4 is a left side elevational view of the fireplace unit of FIG. 1;  
FIG. 5 is a right side elevational of the fireplace unit of FIG. 1; and,  
FIG. 6 is a top plan view of the fireplace unit of FIG. 1.  
The broken lines are included for the purpose of illustrating portions of the fireplace unit that form no part of the claimed design.

**1 Claim, 6 Drawing Sheets**



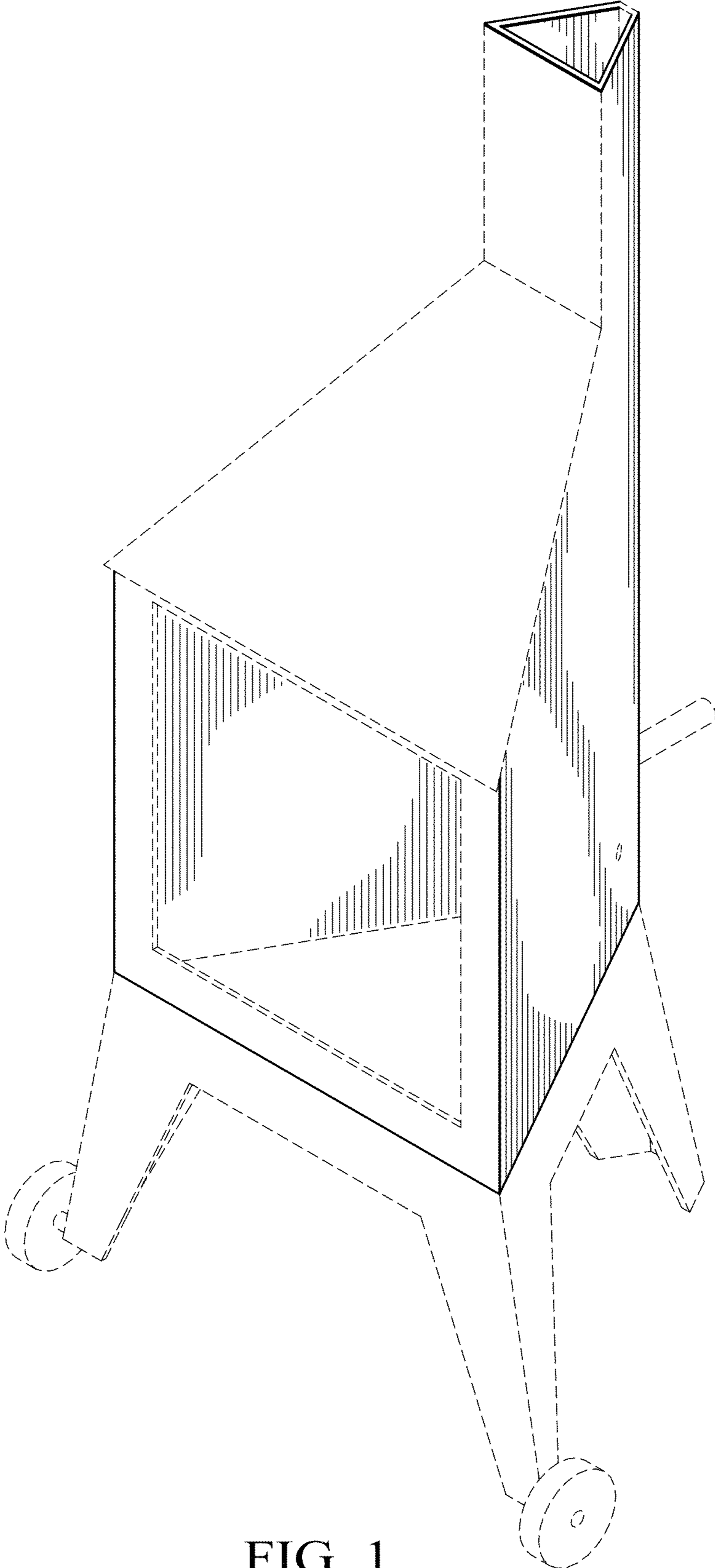


FIG. 1

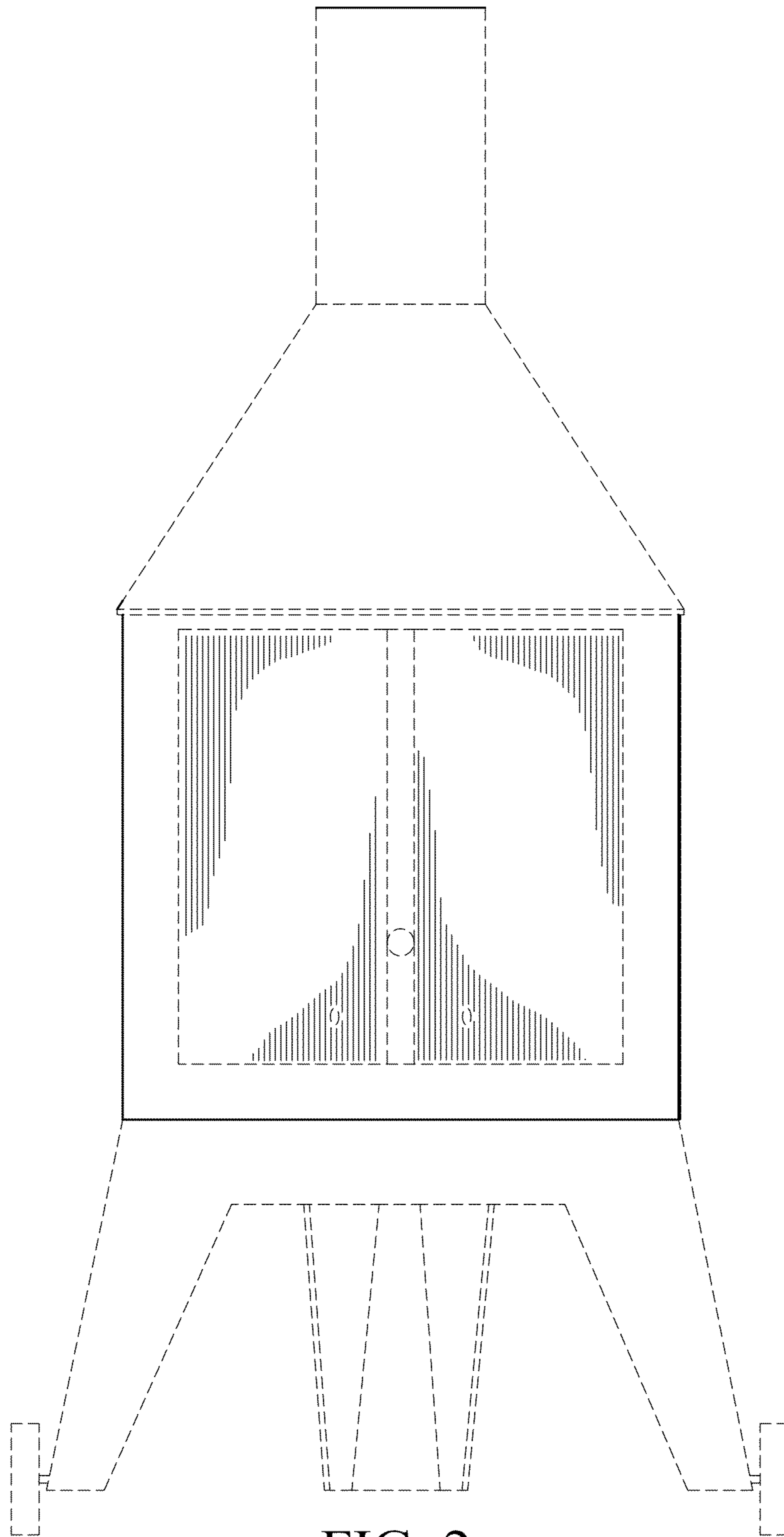


FIG. 2

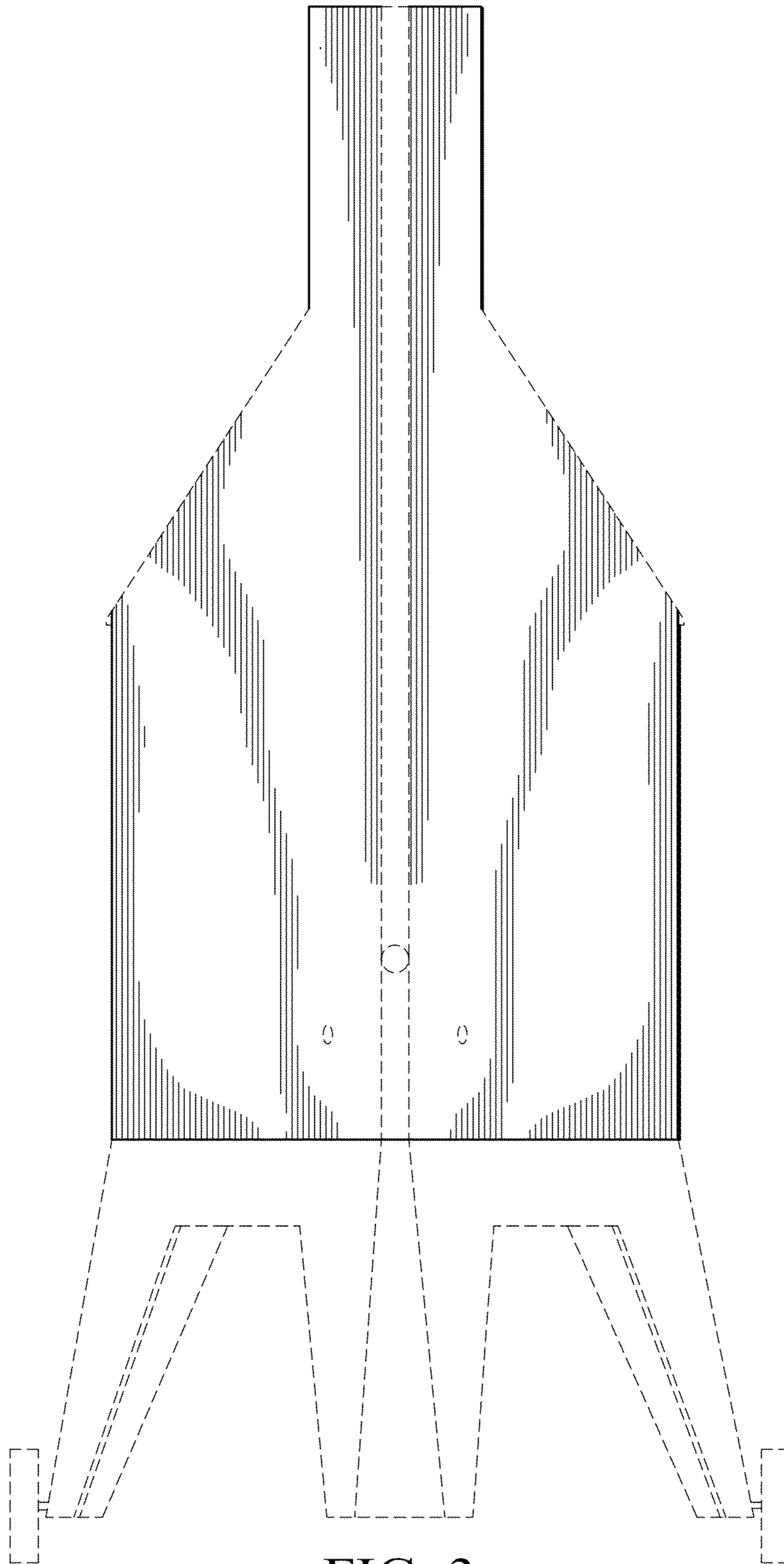


FIG. 3

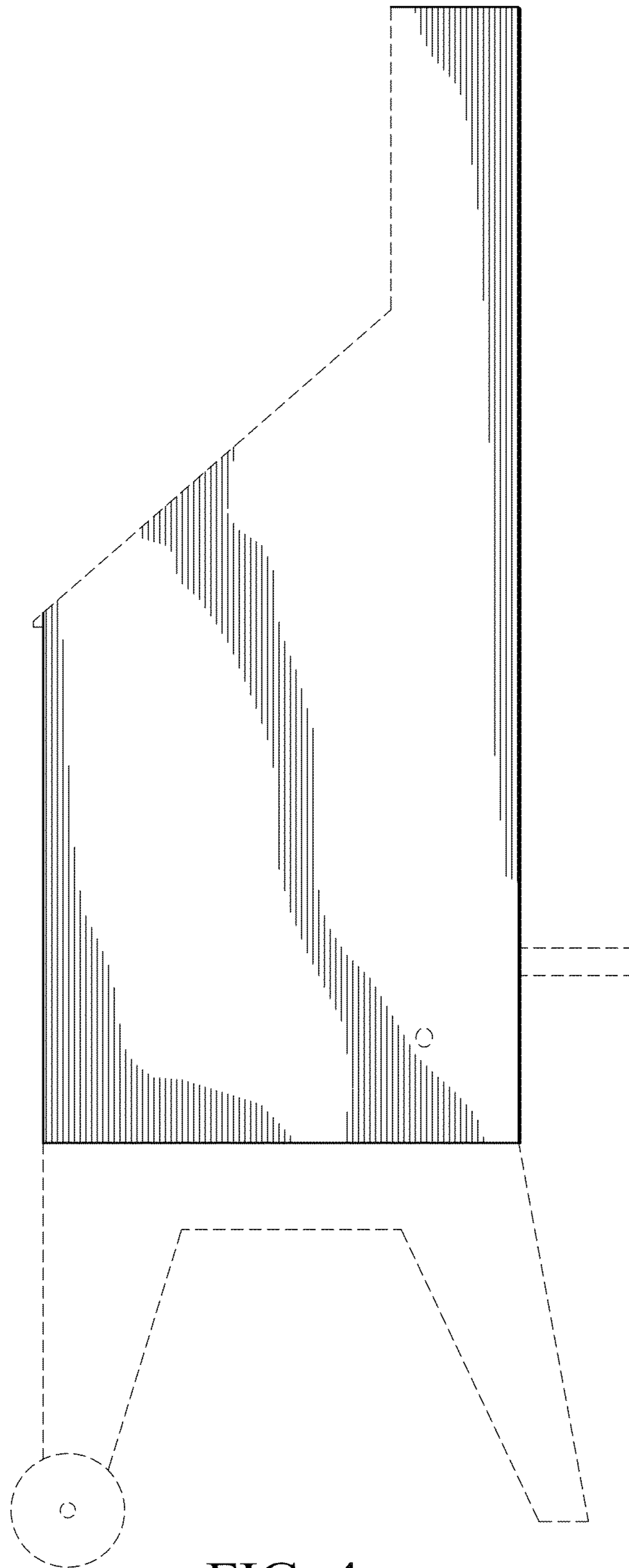


FIG. 4

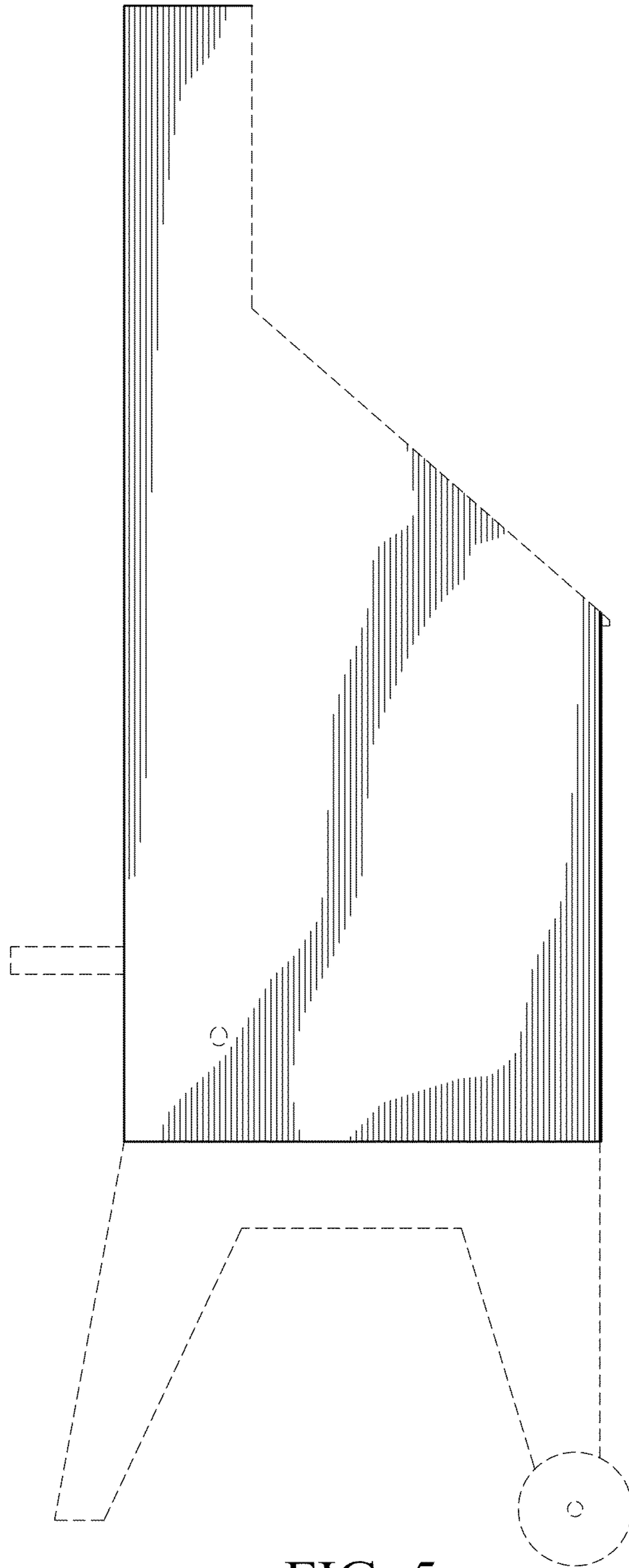


FIG. 5

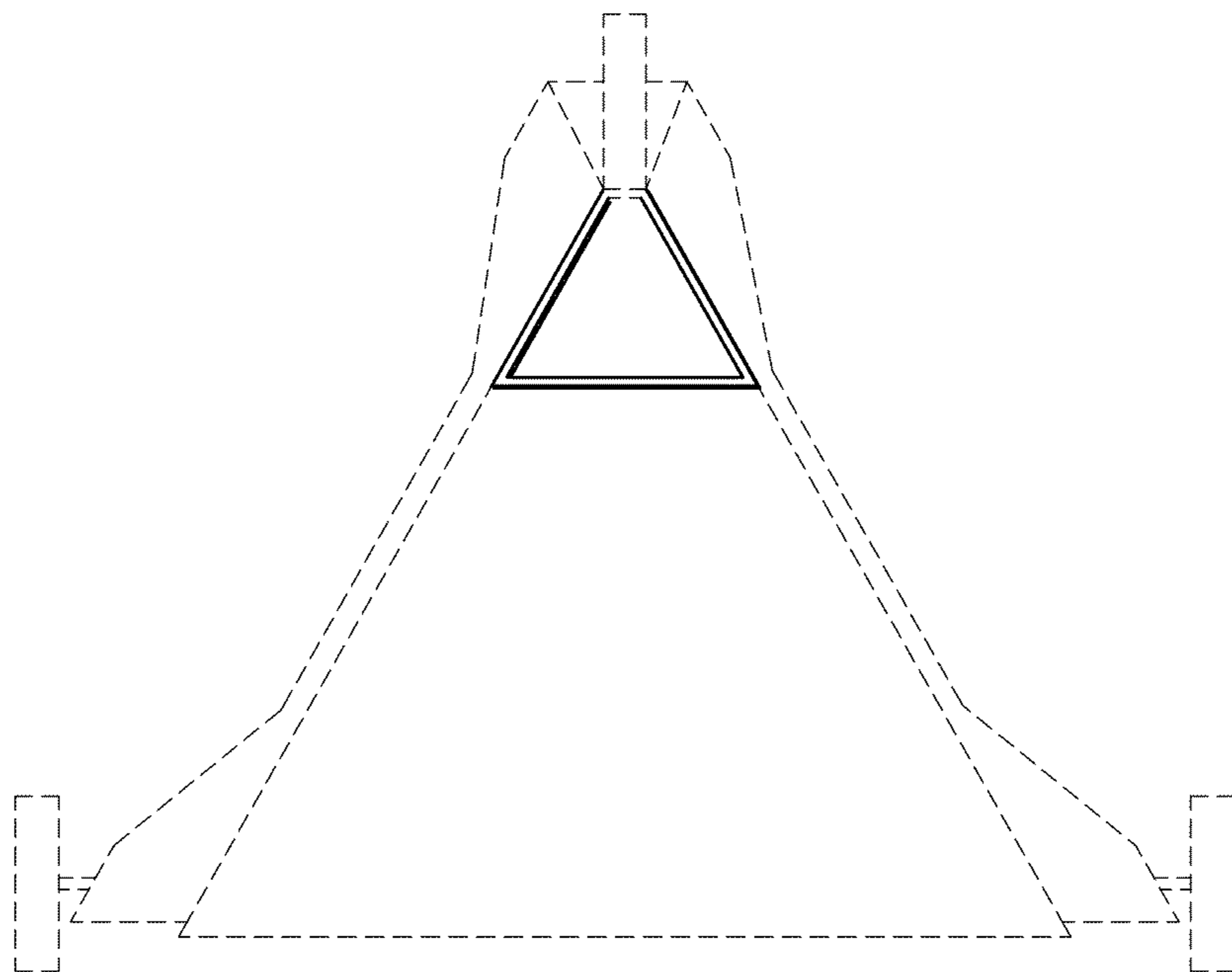


FIG. 6