



US00D734840S

(12) **United States Design Patent**  
**Sethapun et al.**

(10) **Patent No.:** **US D734,840 S**  
(45) **Date of Patent:** **\*\* Jul. 21, 2015**

(54) **AIRCRAFT LAVATORY VANITY**

(71) Applicant: **Gulfstream Aerospace Corporation,**  
Savannah, GA (US)

(72) Inventors: **Kevin Sethapun,** Savannah, GA (US);  
**Andrew Fulford,** Northville, MI (US);  
**Aram Kasparian,** Savannah, GA (US)

(73) Assignee: **Gulfstream Aerospace Corporation,**  
Savannah, GA (US)

(\*\*) Term: **14 Years**

(21) Appl. No.: **29/506,217**

(22) Filed: **Oct. 14, 2014**

(51) **LOC (10) Cl.** ..... **23-02**

(52) **U.S. Cl.**  
USPC ..... **D23/308; D23/271**

(58) **Field of Classification Search**  
USPC ..... D23/270–271, 274, 286, 303, 308, 284;  
D6/641–642, 648, 698, 657, 300, 655,  
D6/633, 664.1, 674, 671.3; D12/345, 40,  
D12/43; 244/119–120, 117 R; D34/8;  
312/228, 224, 227; 4/630, 638;  
D24/234, 177

See application file for complete search history.

(56) **References Cited**

U.S. PATENT DOCUMENTS

D220,324	S	*	3/1971	Ott et al.	.....	D24/234
D287,748	S	*	1/1987	Landan et al.	.....	D23/286
D575,531	S	*	8/2008	Paterson	.....	D6/300
7,721,364	B2	*	5/2010	Pearson	.....	4/631
D649,926	S	*	12/2011	Tan	.....	D12/345
D673,251	S	*	12/2012	Carver et al.	.....	D23/274
8,499,375	B2	*	8/2013	Kim et al.	.....	4/619

\* cited by examiner

*Primary Examiner* — Robert Delehanty

(74) *Attorney, Agent, or Firm* — Ingrassia, Fisher & Lorenz,  
P.C.

(57) **CLAIM**

The ornamental design for an aircraft lavatory vanity, as shown and described.

**DESCRIPTION**

FIG. 1 is a front perspective view of an aircraft lavatory vanity showing our new design;

FIG. 2 is a front view thereof, the back view forming no part of the claimed design;

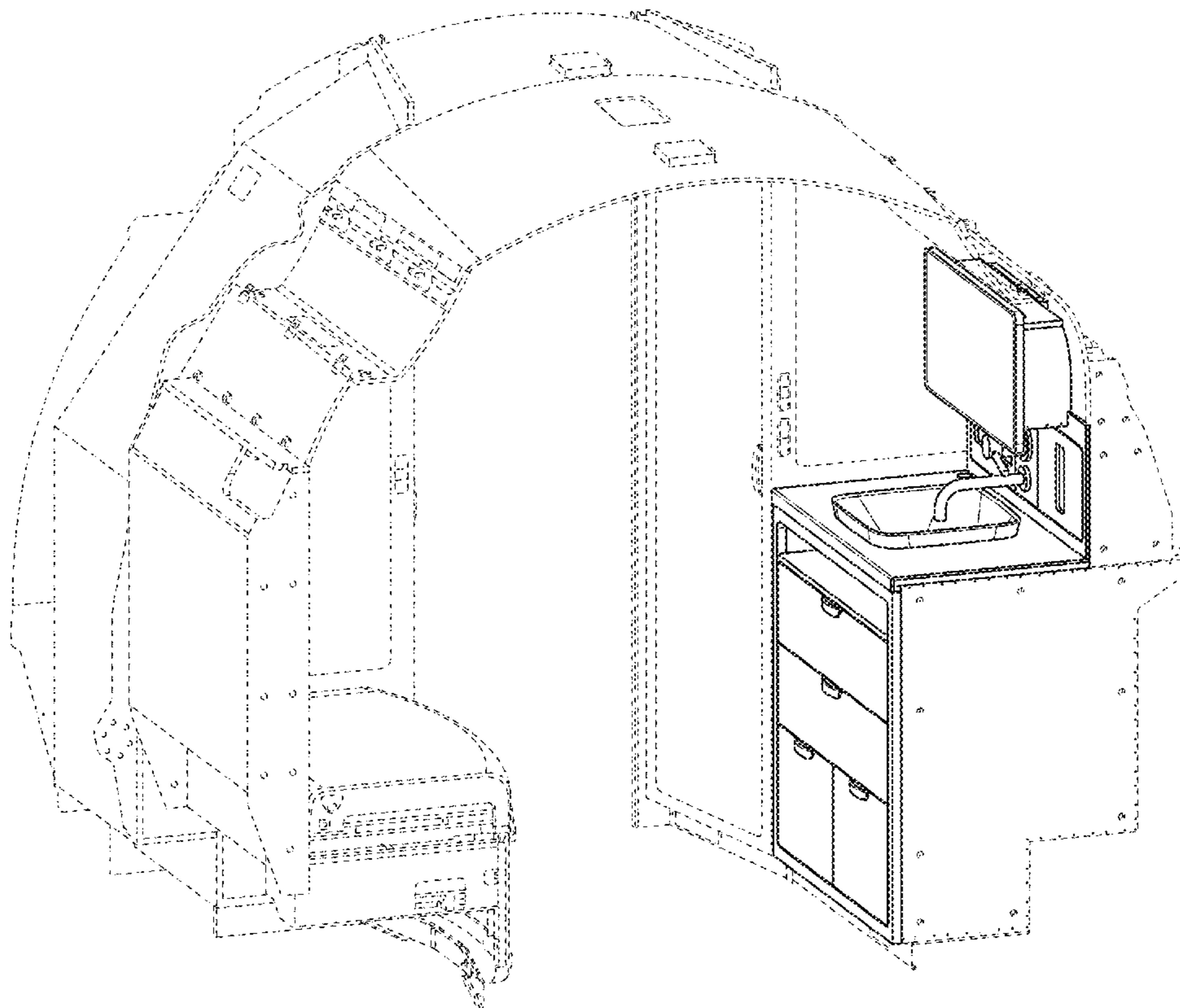
FIG. 3 is a first side view thereof;

FIG. 4 is a second side view thereof; and,

FIG. 5 is a top view thereof, the bottom view forming no part of the claimed design.

The broken lines illustrate structures and environment that form no part of the claimed design.

**1 Claim, 5 Drawing Sheets**



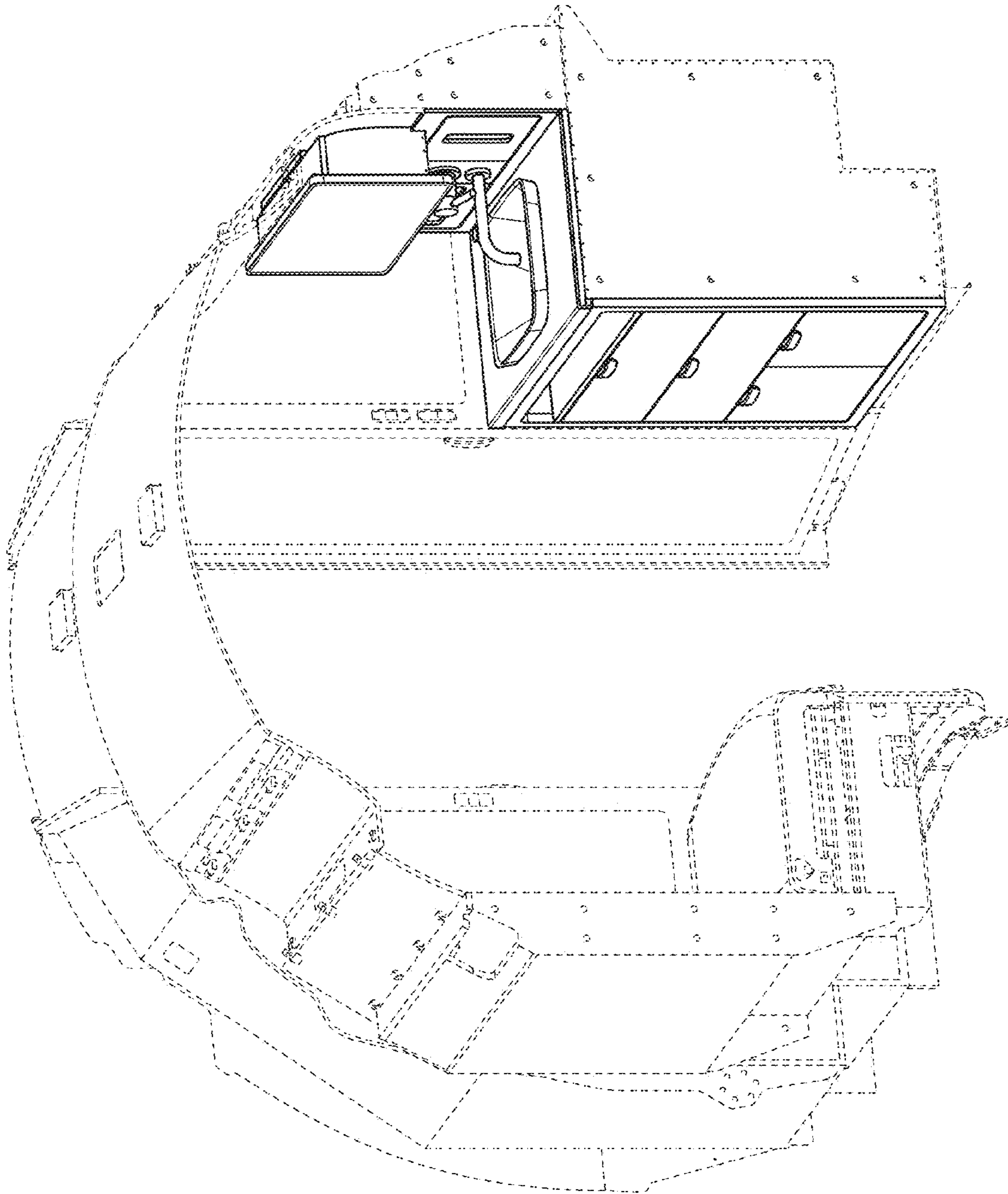


FIG. 1

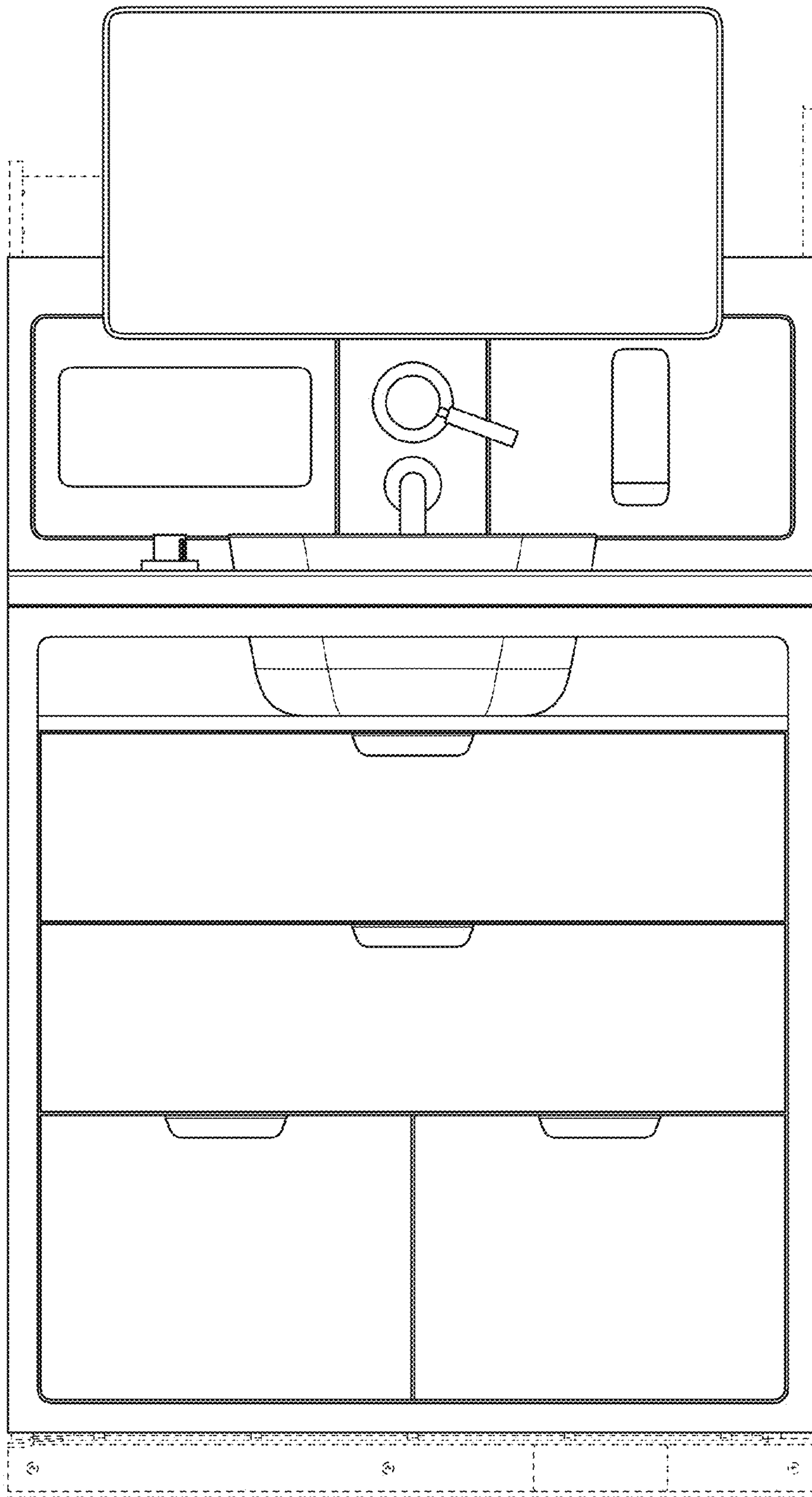


FIG. 2

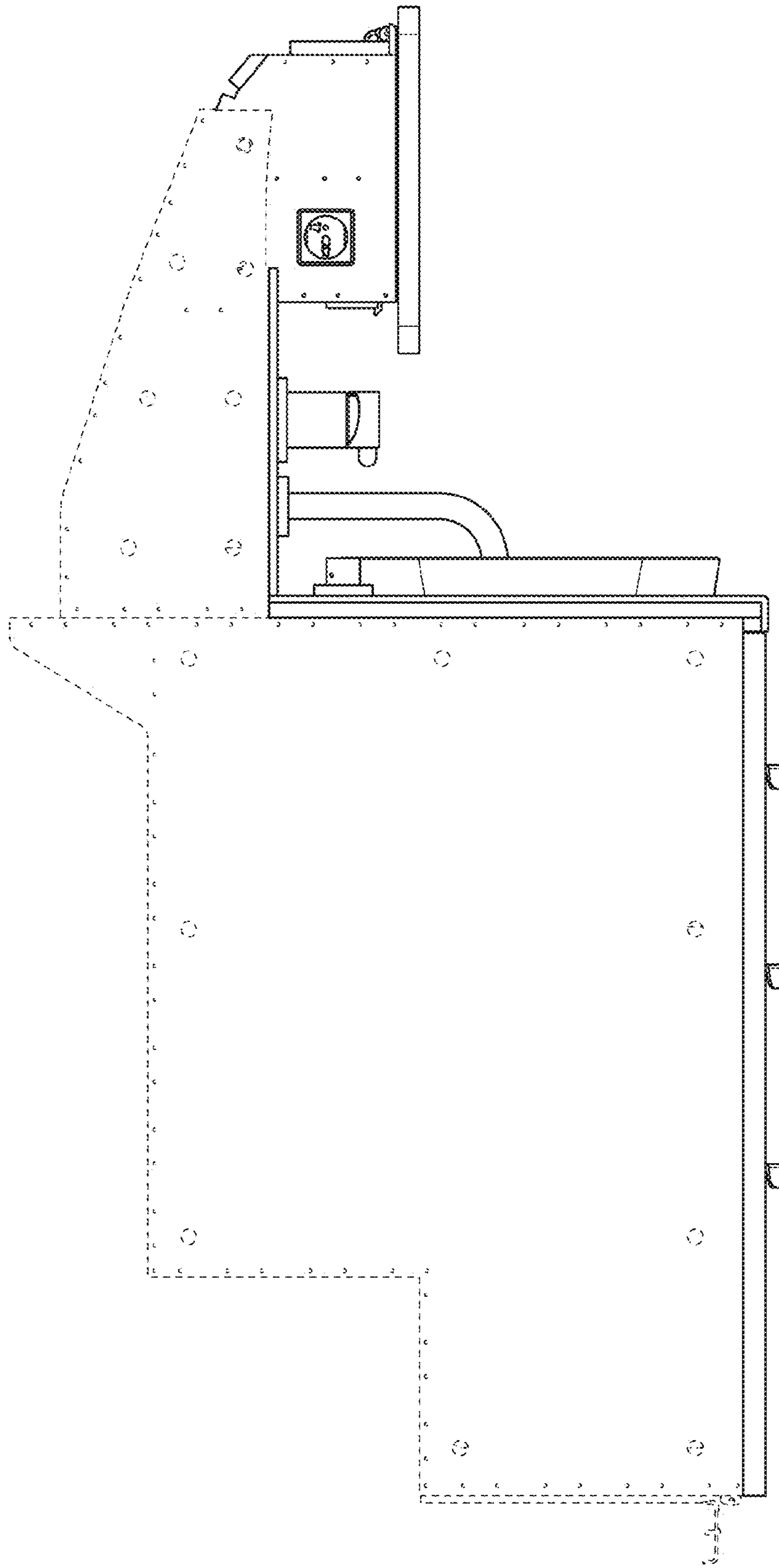


FIG. 3

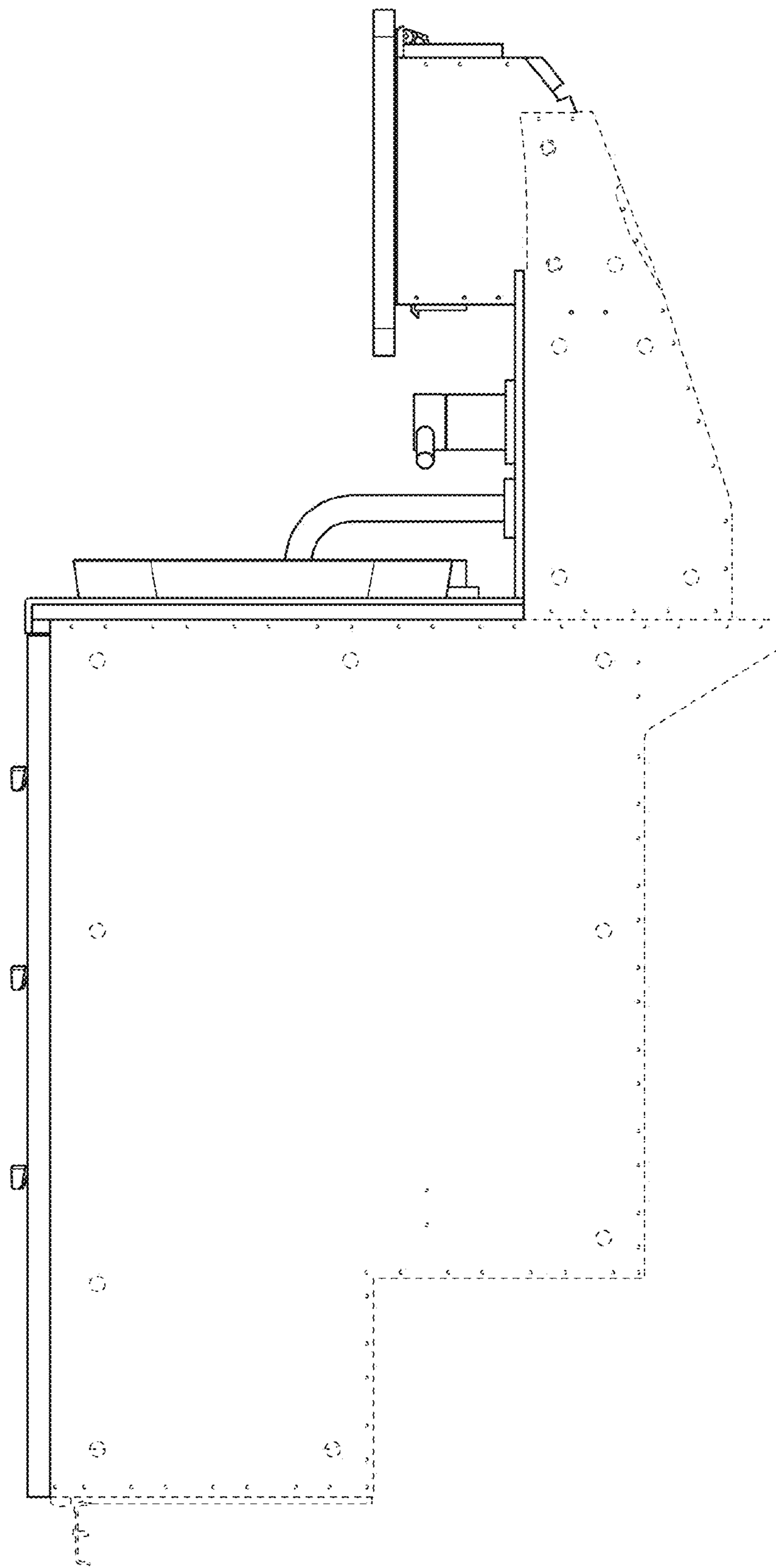


FIG. 4

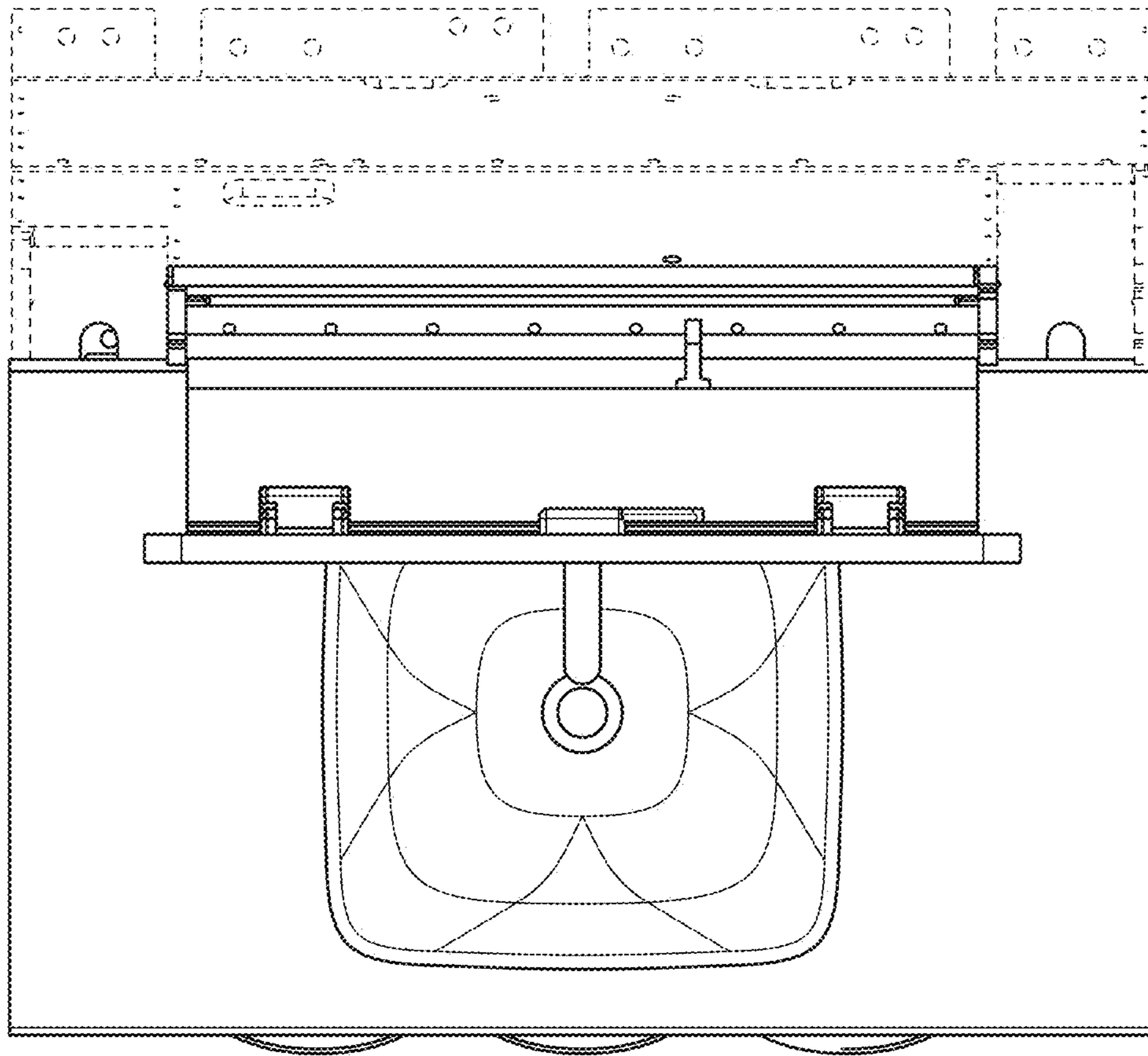


FIG. 5