



US00D734838S

(12) **United States Design Patent**
Beaudoin

(10) **Patent No.:** **US D734,838 S**
(45) **Date of Patent:** **** Jul. 21, 2015**

- (54) **GRATE**
- (71) Applicant: **CANADA PIPE COMPANY ULC**,
Hamilton (CA)
- (72) Inventor: **Pierre-Laurent Beaudoin**, Lévis (CA)
- (73) Assignee: **CANADA PIPE COMPANY ULC**,
Hamilton, ON (CA)

2,701,027 A	2/1955	Scoville	
3,304,685 A	2/1967	Whetstone	
3,838,706 A	10/1974	Klenk et al.	
D244,854 S	6/1977	Salamone	
4,126,404 A	11/1978	Ferns	
4,279,541 A *	7/1981	Bruhn et al.	405/119
D267,268 S	12/1982	Johnson	

(Continued)

- (**) Term: **14 Years**
- (21) Appl. No.: **29/508,300**
- (22) Filed: **Nov. 5, 2014**

CA	1186871	5/1985
CA	1189294	6/1985

(Continued)

FOREIGN PATENT DOCUMENTS

OTHER PUBLICATIONS

Gully Grating, Kerb Gratings, Products and Services, indiamart.com, searched Oct. 7, 2014, <http://www.indiamart.com/jpkmetallics/kerb-gratings.html#gully-grating>.

Primary Examiner — John Windmuller
Assistant Examiner — Steven Czyz
(74) *Attorney, Agent, or Firm* — Fasken Martineau DuMoulin, LLP

Related U.S. Application Data

- (62) Division of application No. 29/439,510, filed on Dec. 12, 2012, now Pat. No. Des. 722,678.
- (51) **LOC (10) Cl.** **23-01**
- (52) **U.S. Cl.**
USPC **D23/261**
- (58) **Field of Classification Search**
USPC D23/259, 260, 261, 262, 263, 264, 265,
D23/267, 268; D25/152, 153, 154, 155,
D25/156; 210/162–166, 170, 170.01,
210/170.03; 404/4, 5
CPC E03F 5/04; E03F 5/0407; E03F 5/06;
E03F 5/14; E02D 29/14; C02F 2307/08;
B01D 3/42
See application file for complete search history.

(57) **CLAIM**
The ornamental design for a grate, as shown and described.

DESCRIPTION

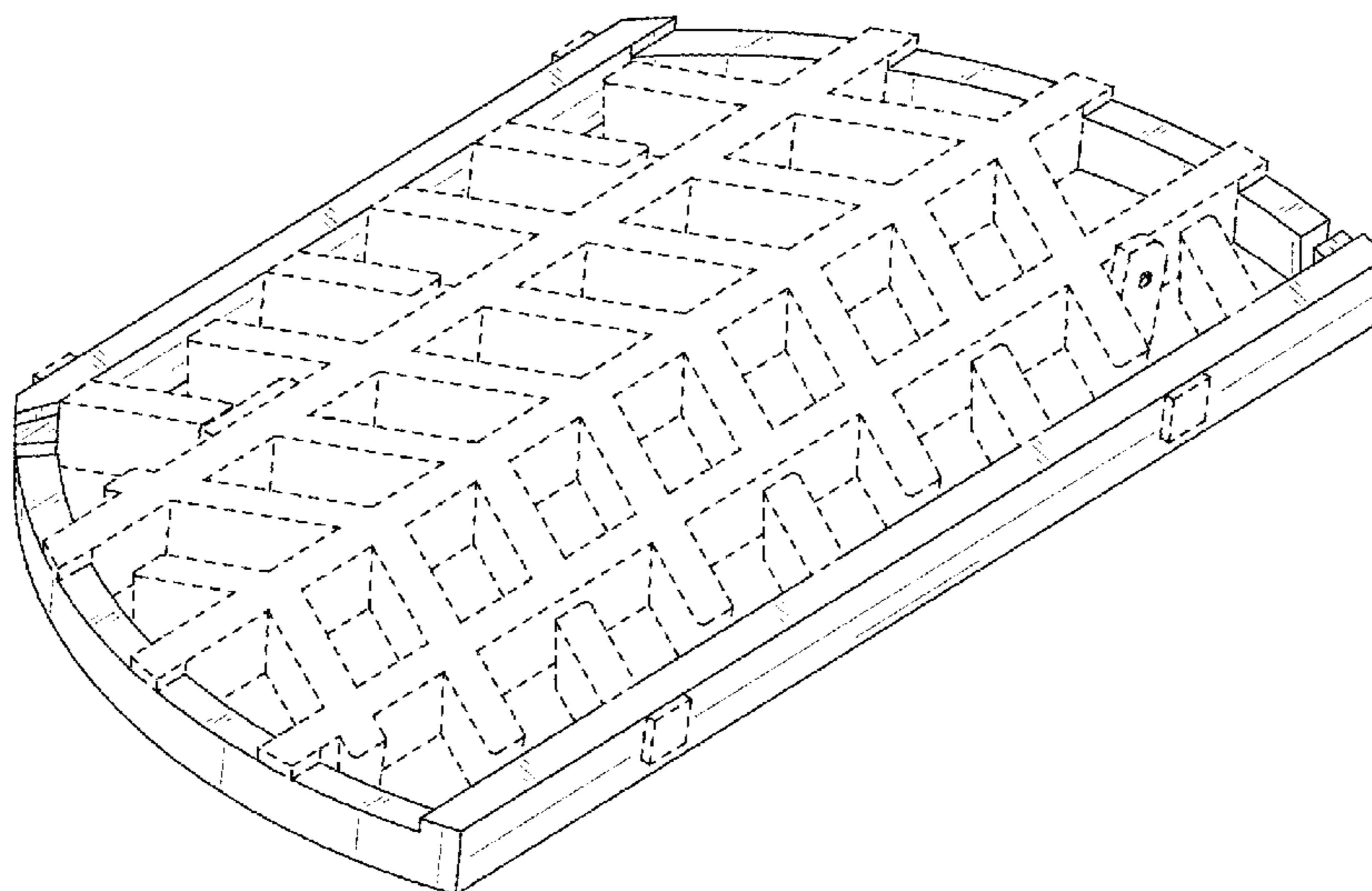
FIG. 1 is a perspective view taken from a top, front, left side of a grate;
FIG. 2 is a top plan view thereof;
FIG. 3 is a bottom plan view thereof;
FIG. 4 is a rear elevation view thereof;
FIG. 5 is a front elevation view thereof;
FIG. 6 is a right side elevation view thereof; and,
FIG. 7 is a left side elevation view thereof.
The broken lines in the figures represent portions of the article that form no part of the claimed design.

(56) **References Cited**

U.S. PATENT DOCUMENTS

490,301 A *	1/1893	Munson et al.	210/163
838,601 A *	12/1906	Willms et al.	4/416
1,460,733 A *	7/1923	Rigby	405/119
1,491,314 A *	4/1924	Rigby	405/119
1,763,174 A *	6/1930	Morris	68/237
1,858,268 A *	5/1932	Fleming	285/43

1 Claim, 5 Drawing Sheets



(56)

References Cited

U.S. PATENT DOCUMENTS

D270,292	S	8/1983	Johnson	
4,422,994	A	12/1983	Ditcher	
D280,126	S	8/1985	Provan et al.	
4,536,103	A	8/1985	Prescott	
4,565,347	A	1/1986	Ditcher	
4,591,290	A	5/1986	Prescott	
4,685,650	A	8/1987	Ditcher	
4,801,417	A	1/1989	Ditcher	
4,941,643	A	7/1990	Ditcher	
4,952,094	A	8/1990	Spiess et al.	
5,072,846	A	12/1991	Portwood	
D337,296	S *	7/1993	Steinke et al.	D12/180
5,279,007	A *	1/1994	Kolada	4/639
D352,573	S	11/1994	Sampson et al.	
5,386,669	A	2/1995	Almeida	
D369,404	S	4/1996	Vestal	
5,634,739	A	6/1997	Armstrong	
5,849,181	A	12/1998	Monteith	
6,045,691	A *	4/2000	McDermott	210/164
6,068,765	A	5/2000	Monteith	
6,109,824	A *	8/2000	Annes	404/26
6,270,662	B1 *	8/2001	Gibson et al.	210/163
6,385,913	B1	5/2002	Ahn	
6,537,446	B1	3/2003	Sanguinetti	
6,869,525	B1 *	3/2005	Happel	210/163
6,986,226	B2	1/2006	Banks	
7,040,838	B2	5/2006	Allard et al.	
D596,273	S	7/2009	Porter	
D630,714	S	1/2011	Dukes	
D658,440	S *	5/2012	Funnell et al.	D7/408
8,292,541	B2 *	10/2012	Akkala	405/43
8,591,729	B2 *	11/2013	Alqanee	210/116
D699,820	S *	2/2014	Beaudoin	D23/267
D699,821	S *	2/2014	Beaudoin	D23/267
D722,366	S *	2/2015	Beaudoin	D23/261
D722,678	S *	2/2015	Beaudoin	D23/261
D725,238	S *	3/2015	Beaudoin	D23/261

2002/0071722	A1	6/2002	Allard	
2003/0046877	A1	3/2003	Banks	
2004/0112811	A1 *	6/2004	Lindemulder	210/163
2006/0011527	A1	1/2006	McDermott et al.	
2006/0230688	A1 *	10/2006	Carr	52/16
2008/0179229	A1	7/2008	Dorsey	
2010/0124458	A1 *	5/2010	Munro	404/26
2013/0186811	A1 *	7/2013	Kaiser	210/163

FOREIGN PATENT DOCUMENTS

CA	1204317	5/1986
CA	1208025	7/1986
CA	1245832	12/1988
CA	1320071	7/1993
CA	2153008	1/1996
CA	2220243	9/1997
CA	2206338	11/1998
DE	1002249	2/1957
DE	6906871	6/1969
DE	1905728	8/1970
DE	4437518	4/1996
DE	29707603	7/1997
EP	0337110	A1 10/1989
EP	0668409	8/1995
EP	0694654	1/1996
EP	0811732	12/1997
EP	1254991	11/2002
FR	2200415	4/1974
FR	2384904	10/1978
FR	2740789	5/1997
FR	2803859	7/2001
FR	2920163	2/2009
GB	2205601	12/1988
WO	9601929	1/1996
WO	9726415	7/1997
WO	9749872	12/1997
WO	0183892	11/2001

* cited by examiner

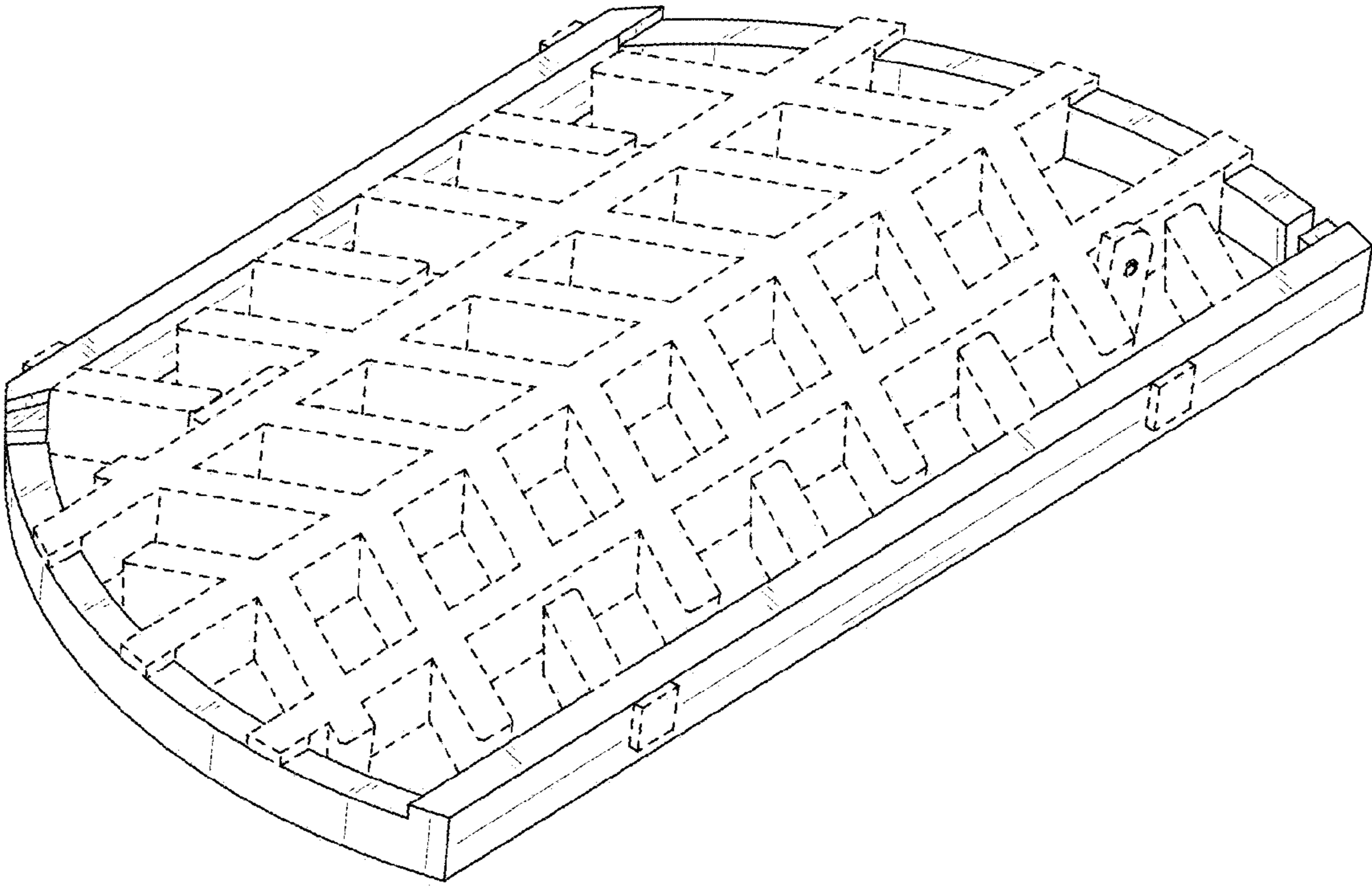


FIG. 1

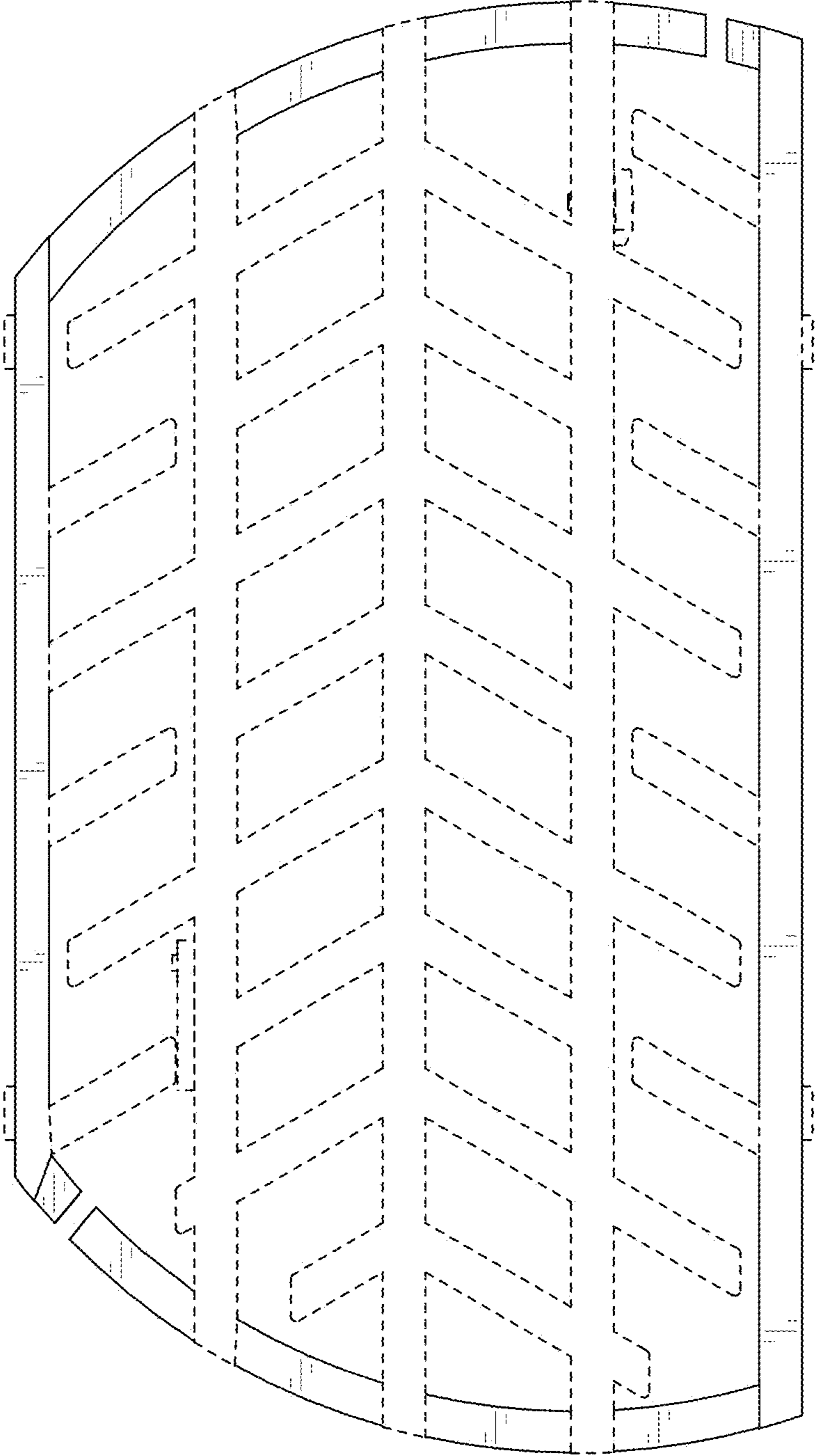


FIG. 2

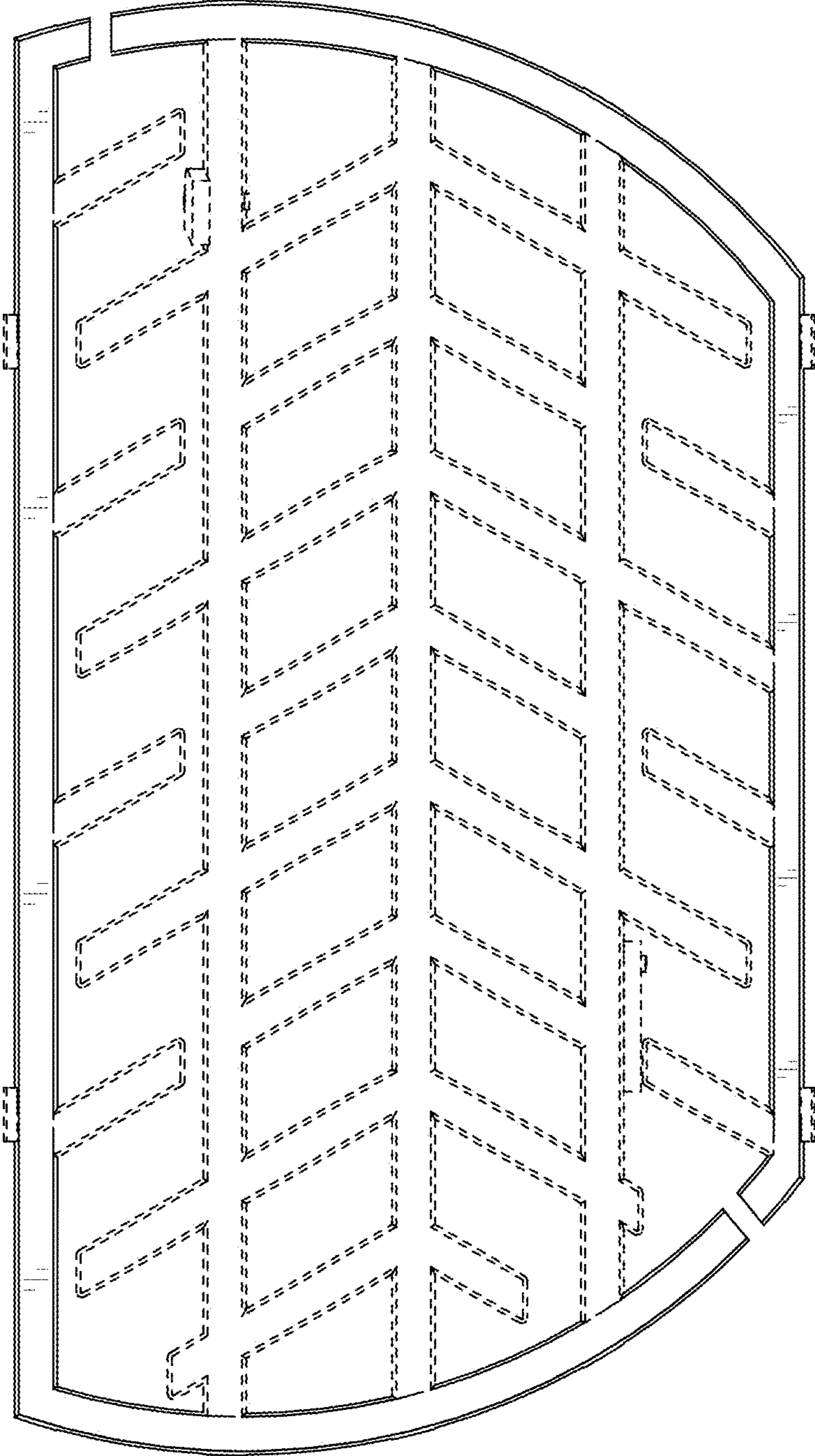


FIG. 3

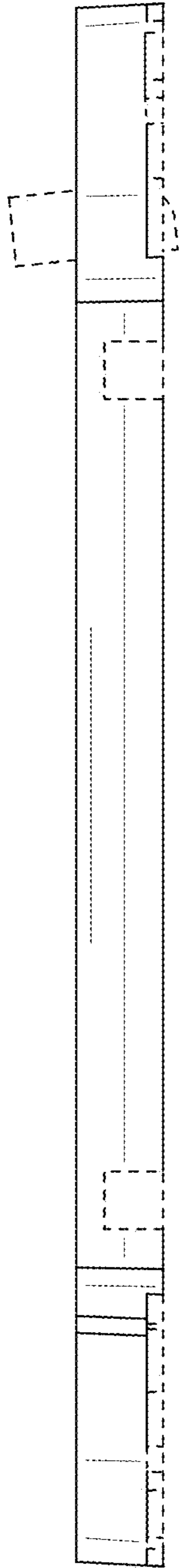


FIG. 4

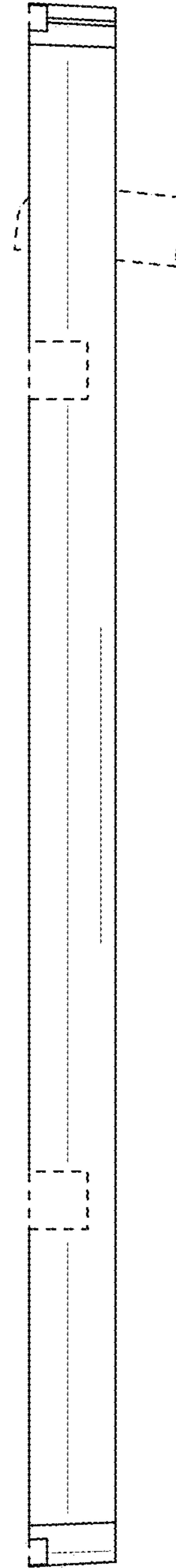


FIG. 5

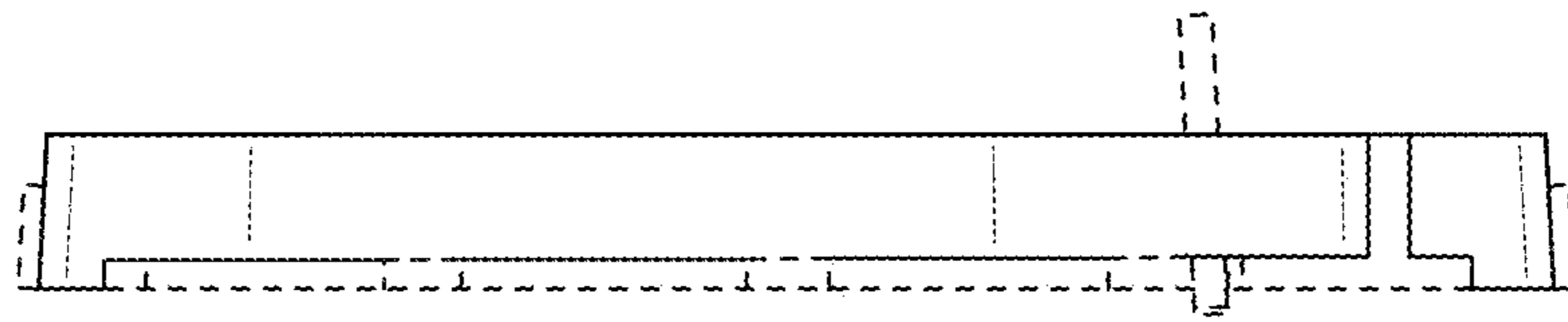


FIG. 6

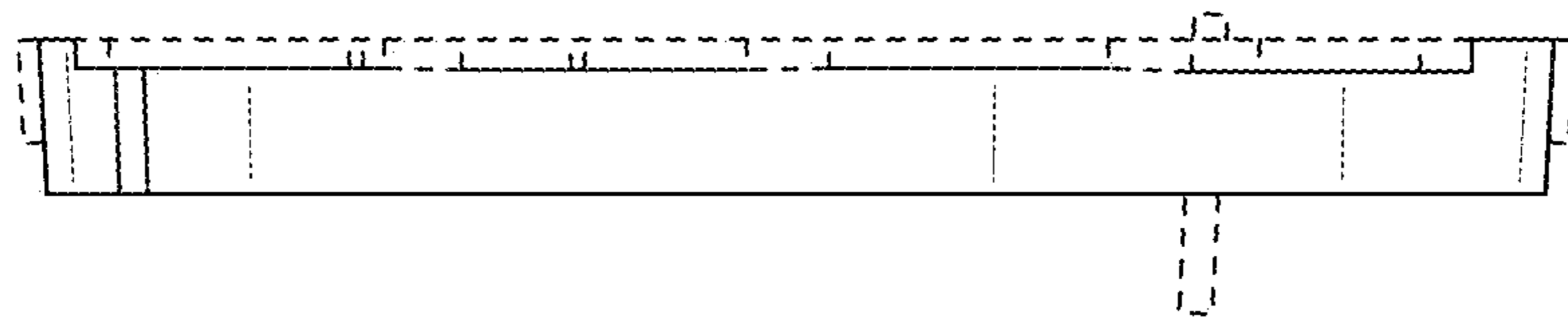


FIG. 7