

US00D734836S

(12) **United States Design Patent**  
**Flowers et al.**

(10) **Patent No.:** **US D734,836 S**  
(45) **Date of Patent:** **\*\* Jul. 21, 2015**

- (54) **BATH MIXER**
- (71) Applicant: **Grohe AG**, Hemer (DE)
- (72) Inventors: **Paul Flowers**, Duesseldorf (DE); **Jochen Allard**, Menden (DE)
- (73) Assignee: **Grohe AG**, Hemer (DE)
- (\*\*) Term: **14 Years**
- (21) Appl. No.: **29/510,826**
- (22) Filed: **Dec. 3, 2014**
- (30) **Foreign Application Priority Data**

Jun. 3, 2014 (EM) ..... 002475368-0029

- (51) **LOC (10) Cl.** ..... **23-01**
- (52) **U.S. Cl.**  
USPC ..... **D23/239**
- (58) **Field of Classification Search**  
USPC ..... D23/238-239, 241-243, 249-250, 252,  
D23/257, 238-23, 254-255  
CPC ..... E03C 1/04; E03C 1/0401; E03C 1/0402;  
E03C 1/0404  
See application file for complete search history.

(56) **References Cited**  
U.S. PATENT DOCUMENTS

- D573,696 S \* 7/2008 Eilmus ..... D23/255
- D612,015 S \* 3/2010 Lammel et al. .... D23/238

- D616,069 S \* 5/2010 Krause ..... D23/239
- D635,647 S \* 4/2011 Montgomery et al. .... D23/239
- D645,120 S \* 9/2011 Lammel et al. .... D23/238
- D685,878 S \* 7/2013 Fritz ..... D23/238
- D692,989 S \* 11/2013 Flowers et al. .... D23/238
- 8,733,396 B2 \* 5/2014 Huang ..... 137/625.4
- D726,883 S \* 4/2015 Flowers et al. .... D23/254

\* cited by examiner

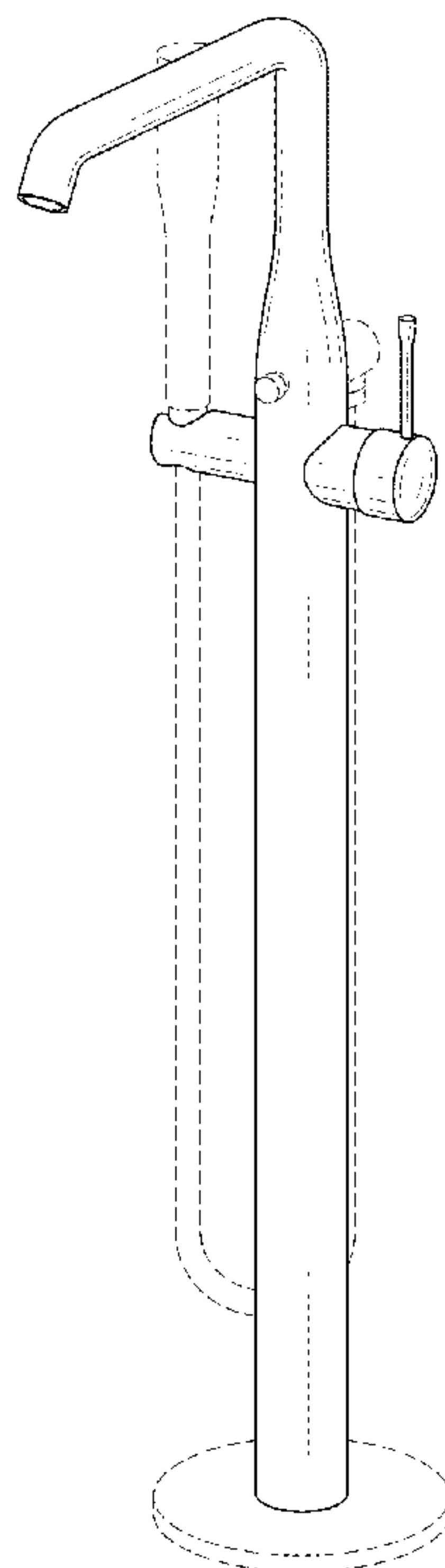
*Primary Examiner* — Robert Delehanty  
(74) *Attorney, Agent, or Firm* — Muncy, Geissler, Olds & Lowe, P.C.

(57) **CLAIM**  
The ornamental design for a bath mixer, as shown and described.

**DESCRIPTION**

FIG. 1 is a front perspective view of a bath mixer according to the present invention.  
FIG. 2 is a left side view of the bath mixer of FIG. 1.  
FIG. 3 is a right side view of the bath mixer of FIG. 1.  
FIG. 4 is a top view of the bath mixer of FIG. 1.  
FIG. 5 is a bottom view of the bath mixer of FIG. 1.  
FIG. 6 is a front view of the bath mixer of FIG. 1; and,  
FIG. 7 is a rear view of the bath mixer of FIG. 1.  
The dashed lines illustrate environment that does not form a part of the present invention, and no claim is made to the material illustrated with dashed lines.

**1 Claim, 7 Drawing Sheets**



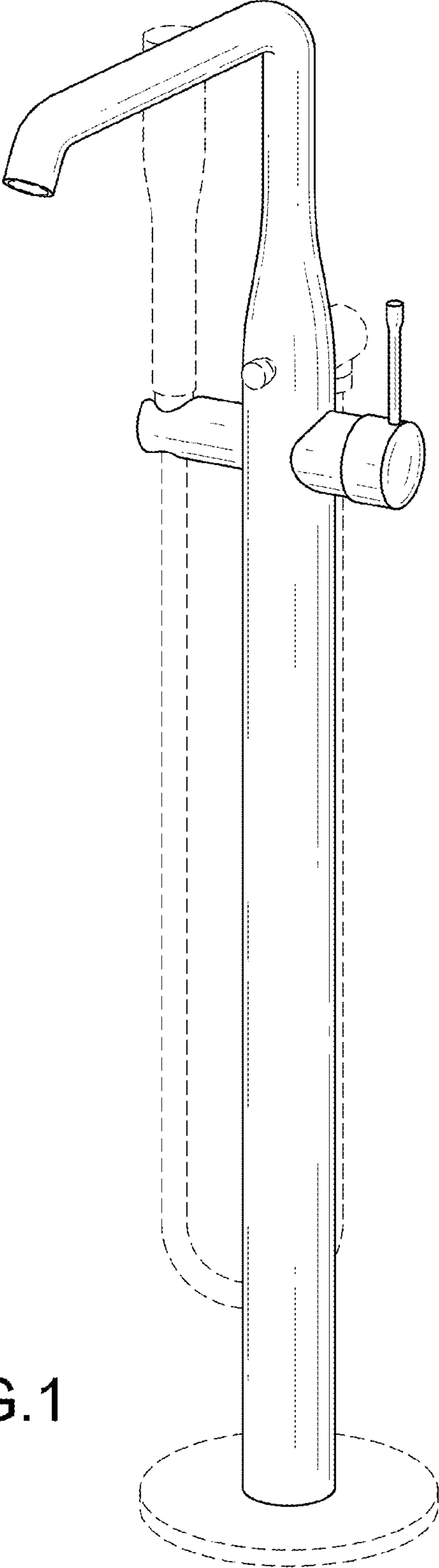


FIG.1

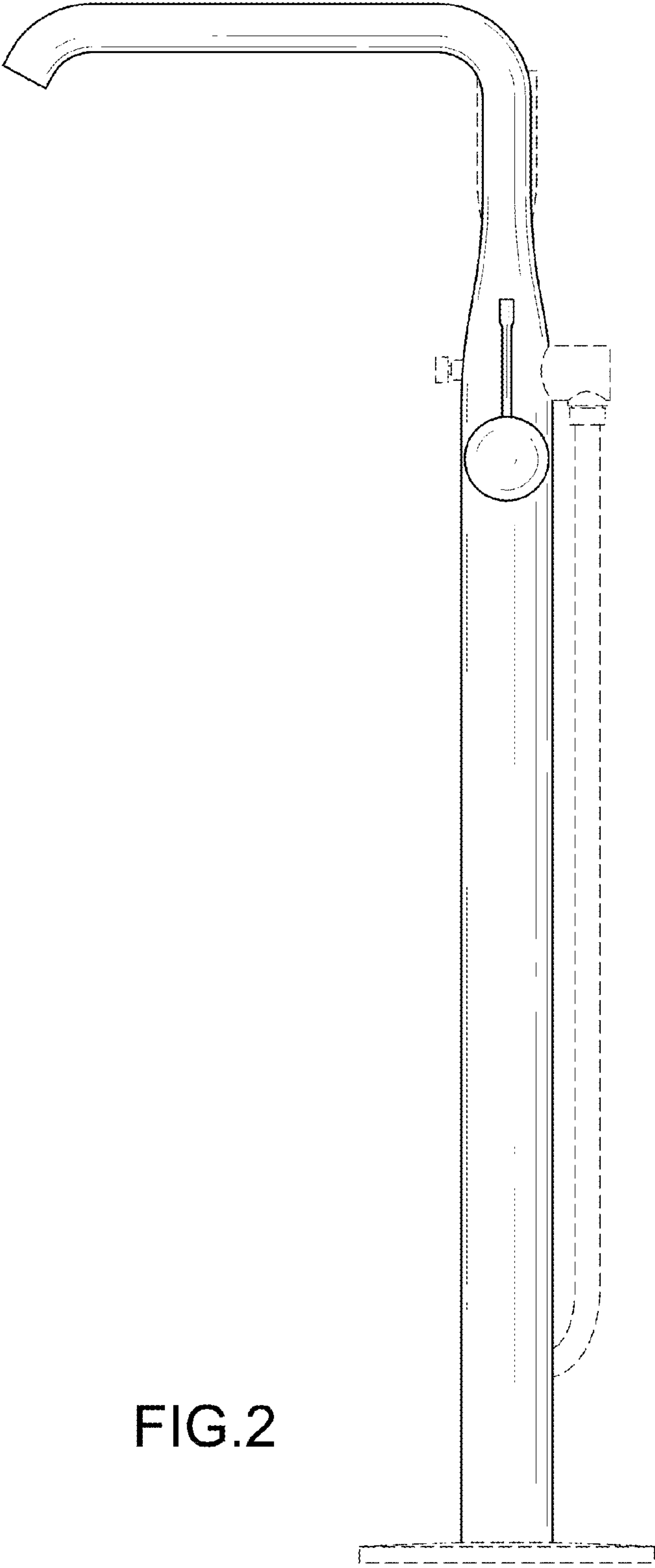


FIG. 2

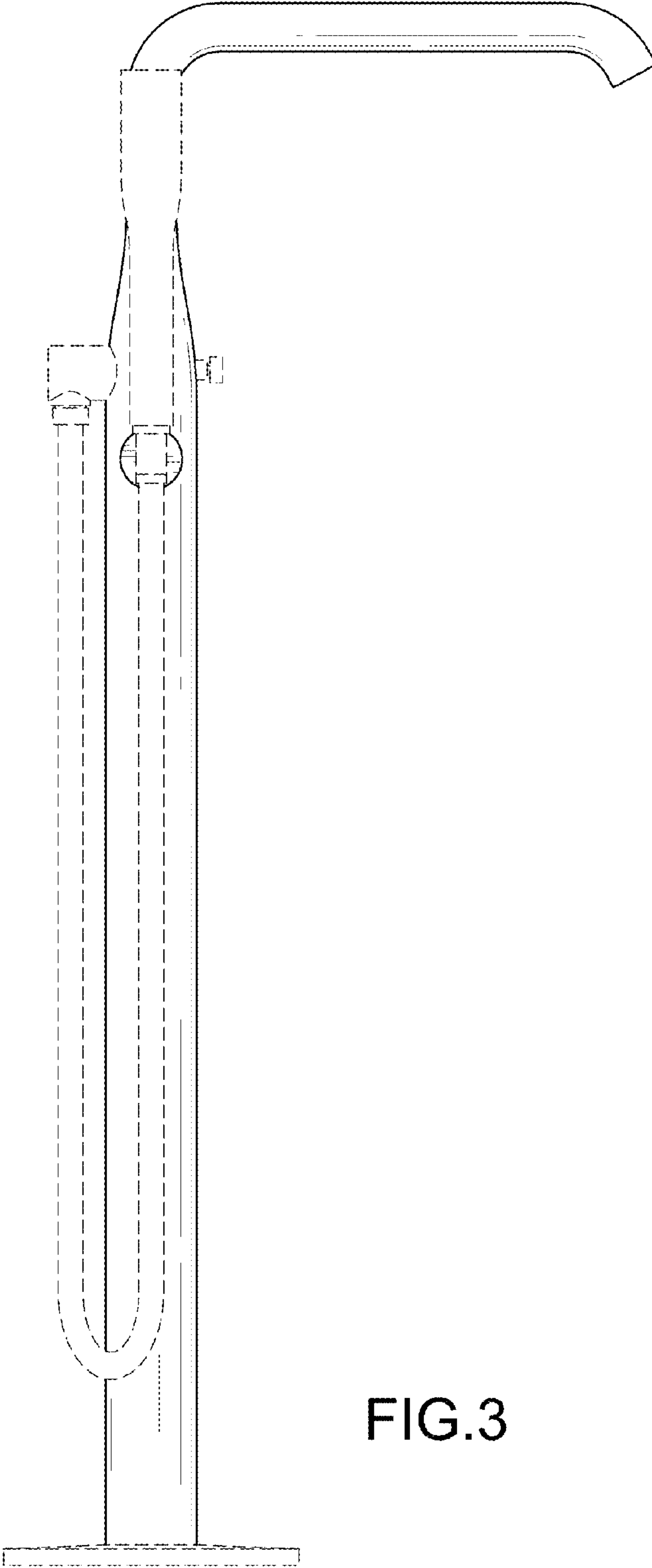


FIG.3

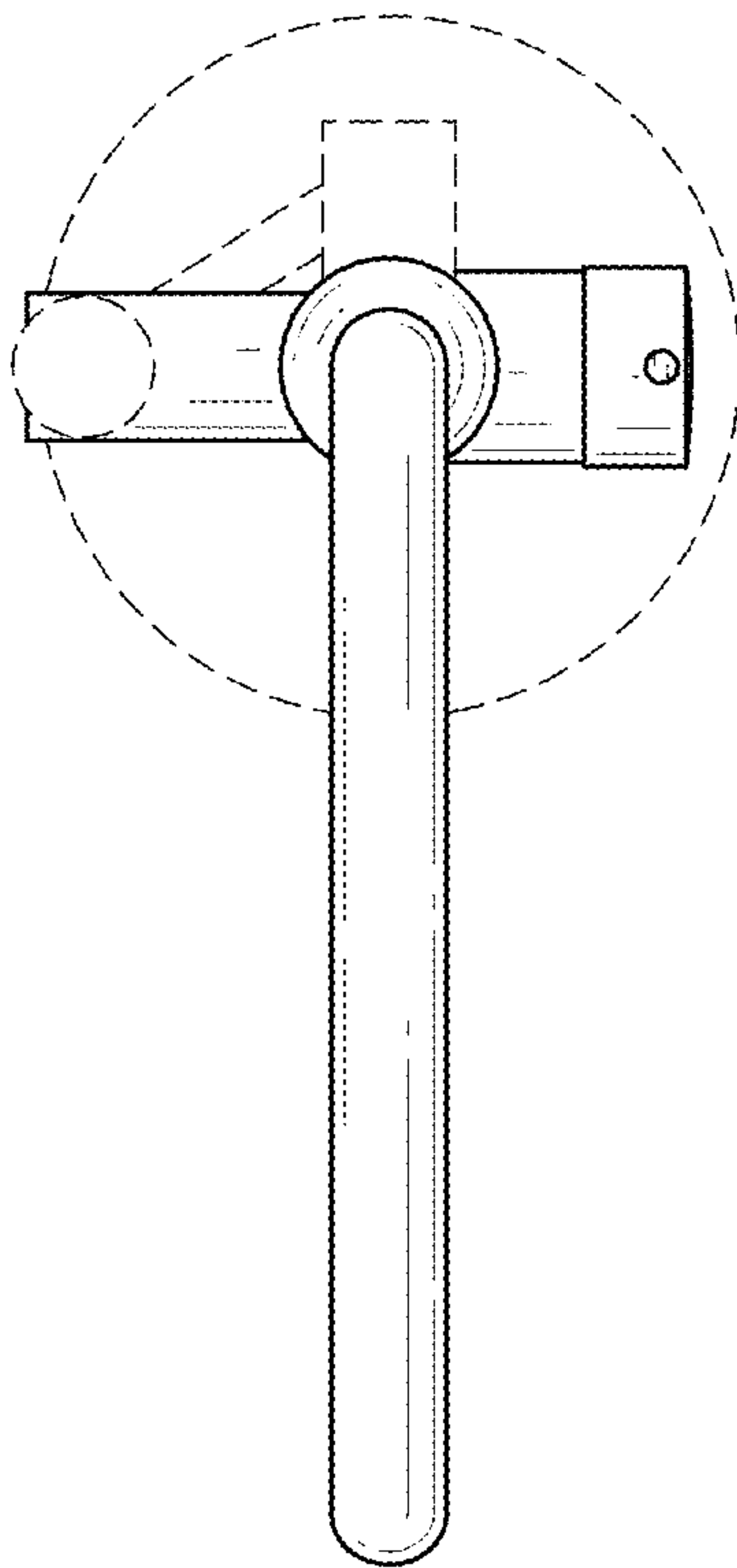


FIG.4

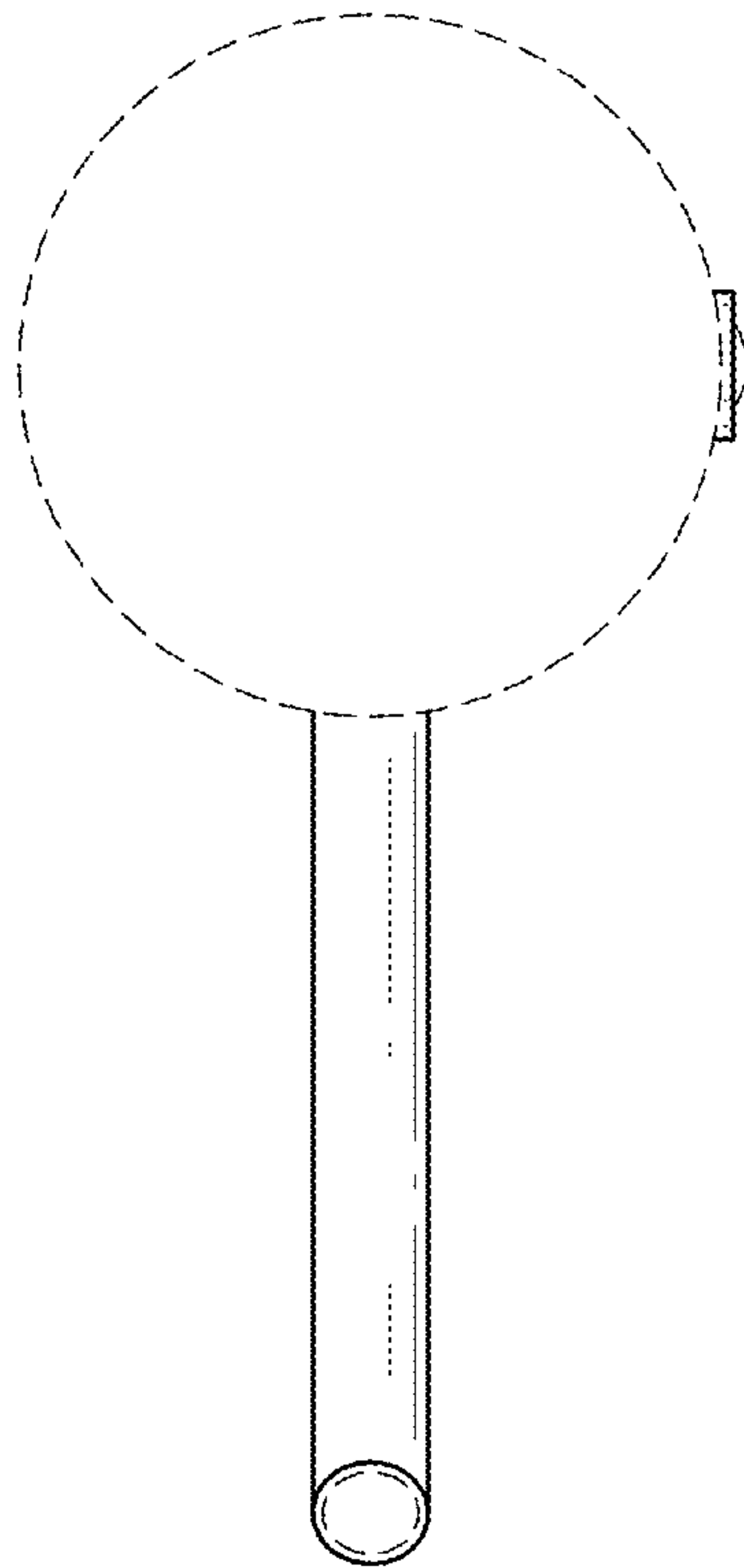


FIG.5

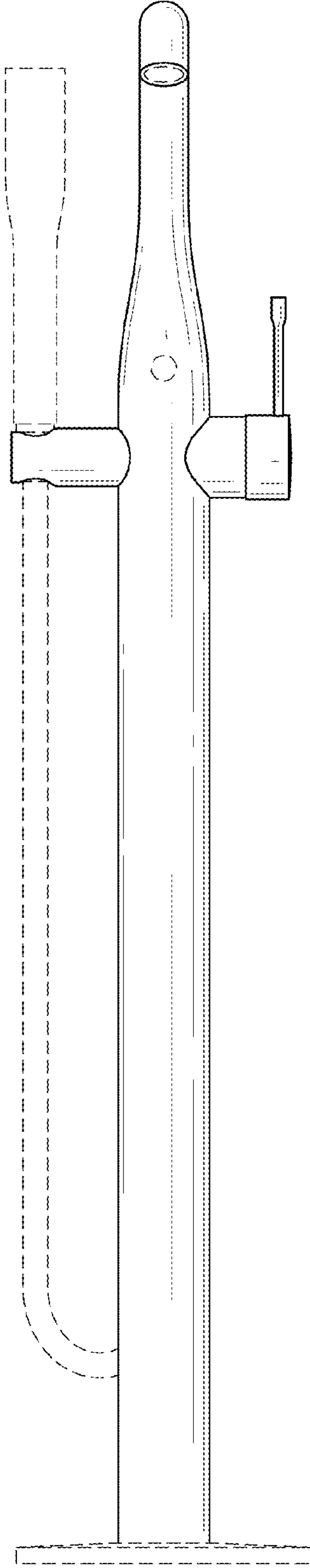


FIG.6

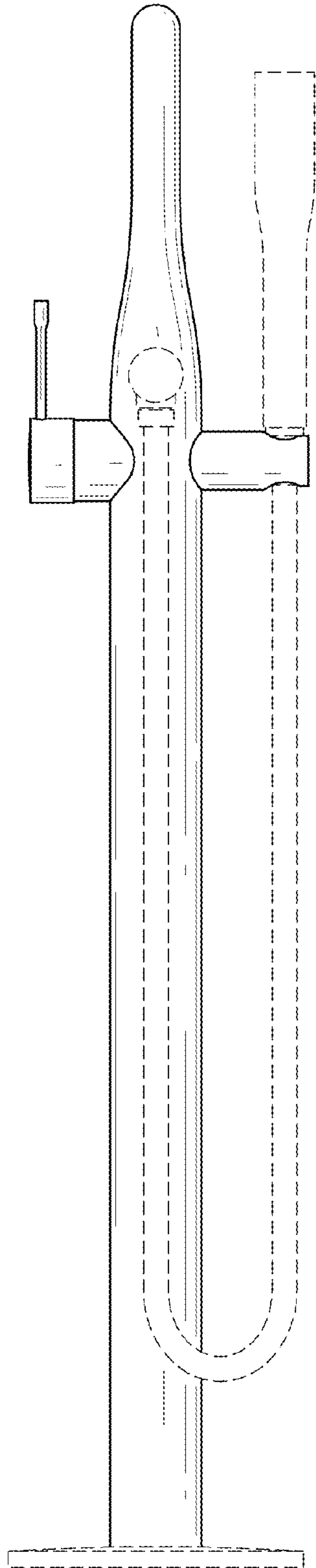


FIG.7