



US00D734833S

(12) **United States Design Patent**
Sato et al.

(10) **Patent No.:** **US D734,833 S**
(45) **Date of Patent:** **** Jul. 21, 2015**

(54) **ELECTROMAGNETIC VALVE**
(71) Applicants: **Hideharu Sato**, Tsukubamirai (JP);
Yoshitada Doi, Tsukubamirai (JP);
Naoki Watanabe, Tsukubamirai (JP)
(72) Inventors: **Hideharu Sato**, Tsukubamirai (JP);
Yoshitada Doi, Tsukubamirai (JP);
Naoki Watanabe, Tsukubamirai (JP)
(73) Assignee: **SMC Corporation**, Chiyoda-ku, Tokyo
(JP)
(**) Term: **14 Years**

D563,507 S * 3/2008 Kato et al. D23/233
D563,508 S * 3/2008 Yoshimura et al. D23/233
D563,509 S * 3/2008 Kato D23/233
D563,515 S * 3/2008 Yoshimura et al. D23/233
D563,516 S * 3/2008 Mita et al. D23/233
D563,517 S * 3/2008 Miyazoe et al. D23/233
D563,518 S * 3/2008 Miyazoe et al. D23/233
D563,519 S * 3/2008 Miyazoe et al. D23/233
D563,520 S * 3/2008 Miyazoe et al. D23/233
D563,522 S * 3/2008 Miyazoe et al. D23/233
D563,523 S * 3/2008 Matsumoto et al. D23/233
D564,072 S * 3/2008 Yoshimura et al. D23/233
D564,627 S * 3/2008 Miyazoe et al. D23/233
D564,628 S * 3/2008 Miyazoe et al. D23/233
D564,629 S * 3/2008 Miyazoe et al. D23/233

(Continued)

(21) Appl. No.: **29/502,117**
(22) Filed: **Sep. 11, 2014**
(30) **Foreign Application Priority Data**
Jun. 30, 2014 (JP) 2014-014222
(51) **LOC (10) Cl.** **23-01**
(52) **U.S. Cl.**
USPC **D23/233**
(58) **Field of Classification Search**
USPC D23/233-250; 137/625.64, 554, 487.5,
137/599; 251/129.15, 129.01, 129.09
CPC ... F16K 31/0675; F16K 31/06; F16K 27/029;
F16K 31/02; F16K 31/082; F16K 27/048
See application file for complete search history.

OTHER PUBLICATIONS

Orbit Website Search, May 21, 2015, 1/1 Designs-Questel Electro-
magnetic Valve, shown in p. 1.*

Primary Examiner — Cynthia Ramirez
Assistant Examiner — Gino Colan
(74) *Attorney, Agent, or Firm* — Yokoi & Co., U.S.A.;
Toshiyuki Yokoi

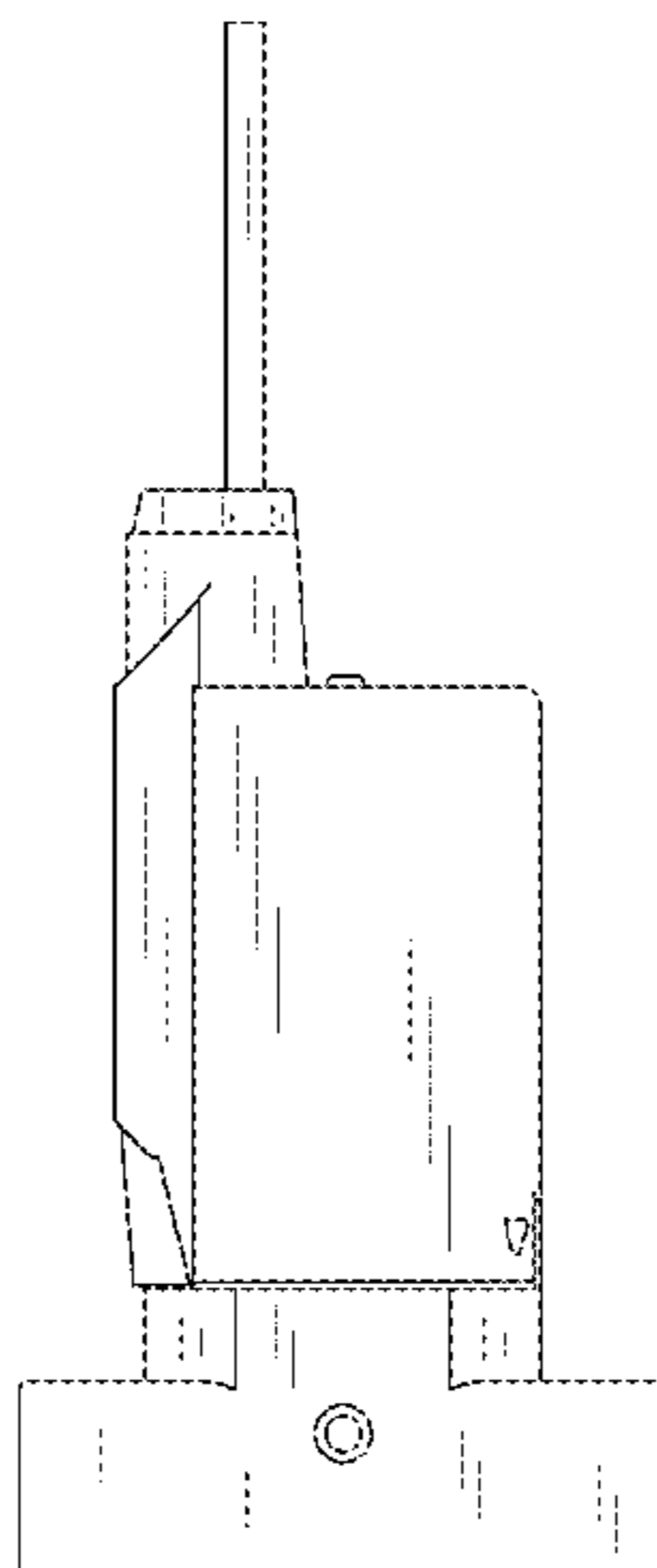
(57) **CLAIM**
The ornamental design for an electromagnetic valve, as
shown and described.

DESCRIPTION

FIG. 1 shows a front view of an electromagnetic valve show-
ing our new design;
FIG. 2 shows a rear view thereof;
FIG. 3 shows a right side view thereof;
FIG. 4 shows a left side view thereof;
FIG. 5 shows a top view thereof;
FIG. 6 shows a bottom view thereof; and
FIG. 7 shows a top, front and right side perspective view
thereof; and,
FIG. 8 shows a bottom, rear and left side perspective view
thereof.

1 Claim, 7 Drawing Sheets

(56) **References Cited**
U.S. PATENT DOCUMENTS
D416,309 S * 11/1999 Hayashi et al. D23/233
D544,575 S * 6/2007 Matsumoto et al. D23/233
D544,576 S * 6/2007 Matsumoto et al. D23/233
D544,577 S * 6/2007 Matsumoto et al. D23/233
D544,578 S * 6/2007 Matsumoto et al. D23/233
D544,579 S * 6/2007 Matsumoto et al. D23/233
D544,580 S * 6/2007 Matsumoto et al. D23/233
D544,581 S * 6/2007 Matsumoto et al. D23/233
D563,506 S * 3/2008 Kato et al. D23/233



(56)

References Cited

U.S. PATENT DOCUMENTS

D564,630 S * 3/2008 Miyazoe et al. D23/233
D564,631 S * 3/2008 Miyazoe et al. D23/233
D599,887 S * 9/2009 Matsumoto D23/233
D599,888 S * 9/2009 Matsumoto D23/233
D599,889 S * 9/2009 Oshima et al. D23/233

D715,899 S * 10/2014 Fukano et al. D23/233
D720,043 S * 12/2014 Nishiyama et al. D23/233
D720,044 S * 12/2014 Enzaki D23/233
D720,046 S * 12/2014 Morodomi et al. D23/233
D720,047 S * 12/2014 Morodomi et al. D23/233
D725,231 S * 3/2015 Doi et al. D23/233
D725,232 S * 3/2015 Doi et al. D23/233
D726,882 S * 4/2015 Maeda et al. D23/249

* cited by examiner

FIG. 1

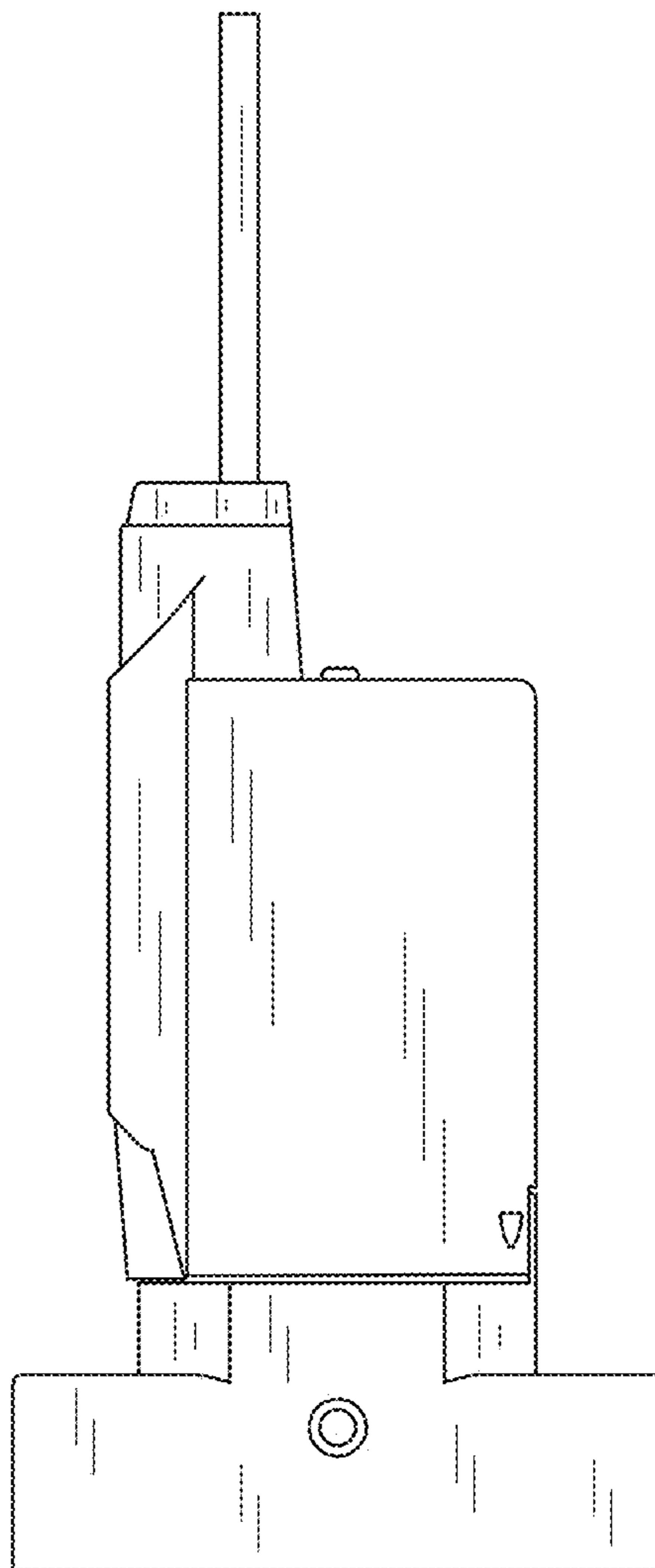


FIG. 2

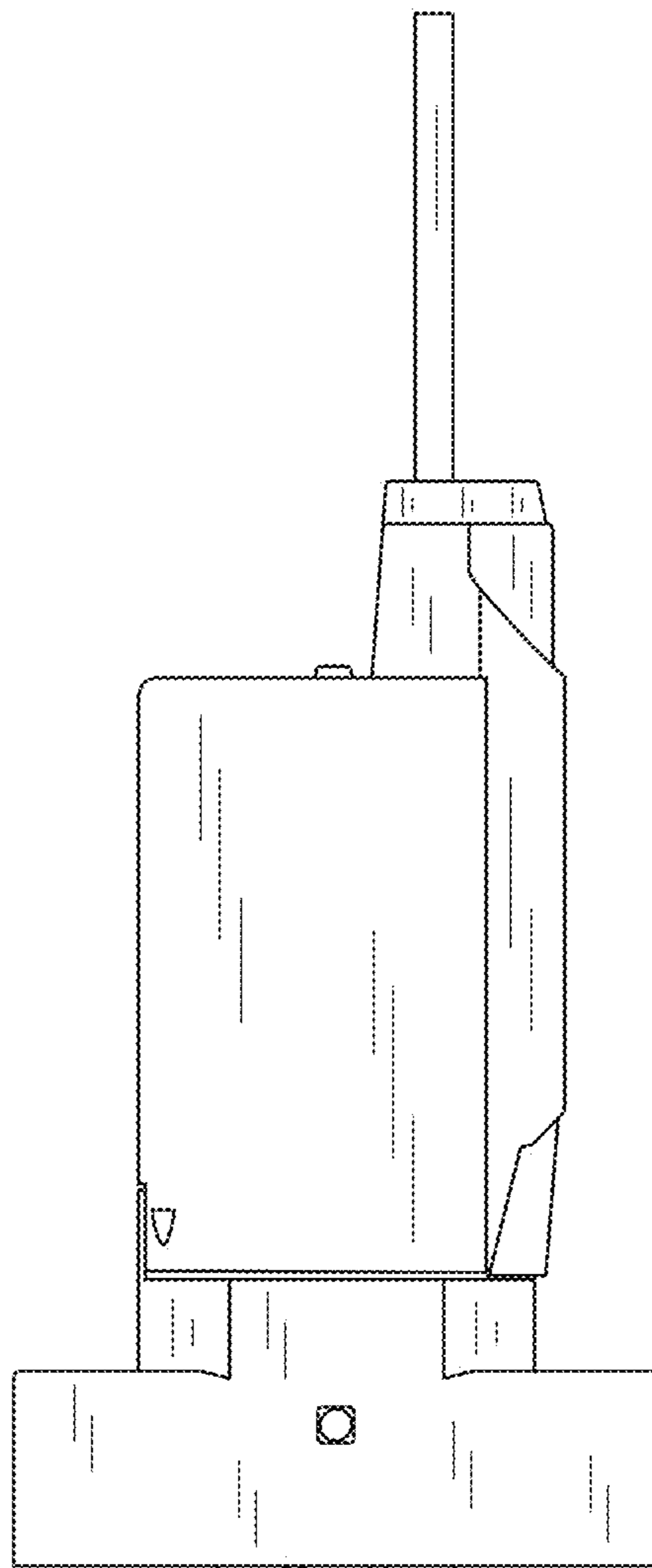


FIG. 3

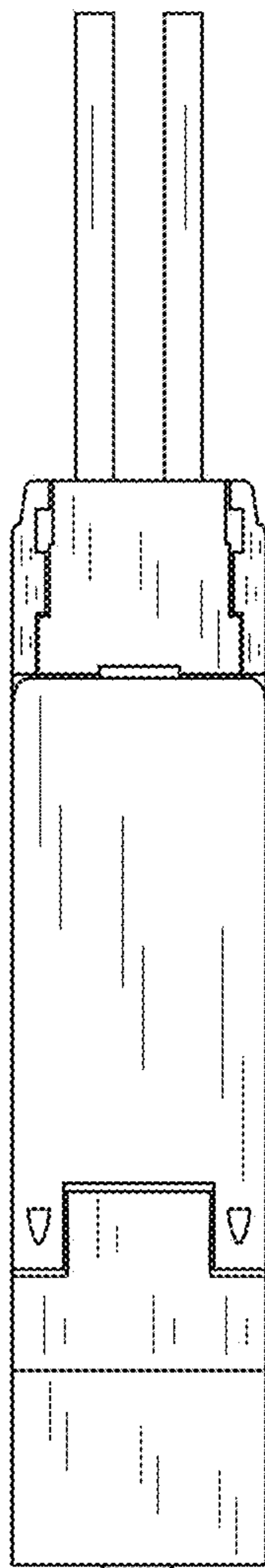


FIG. 4

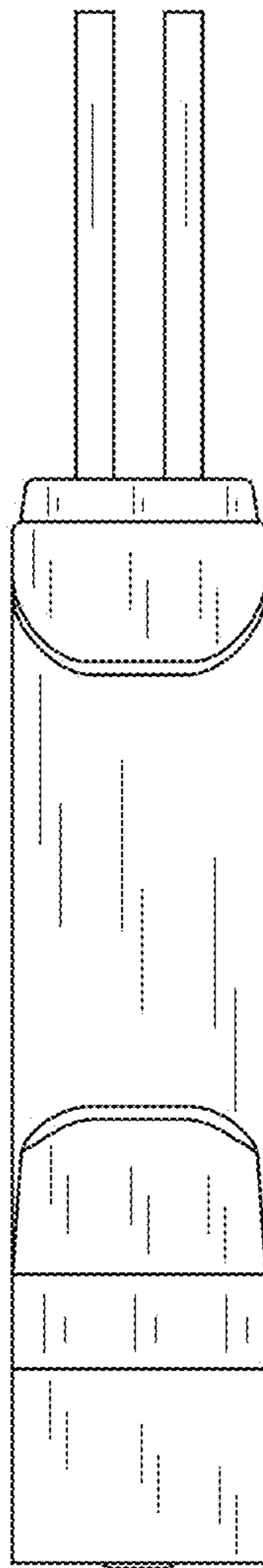


FIG. 5

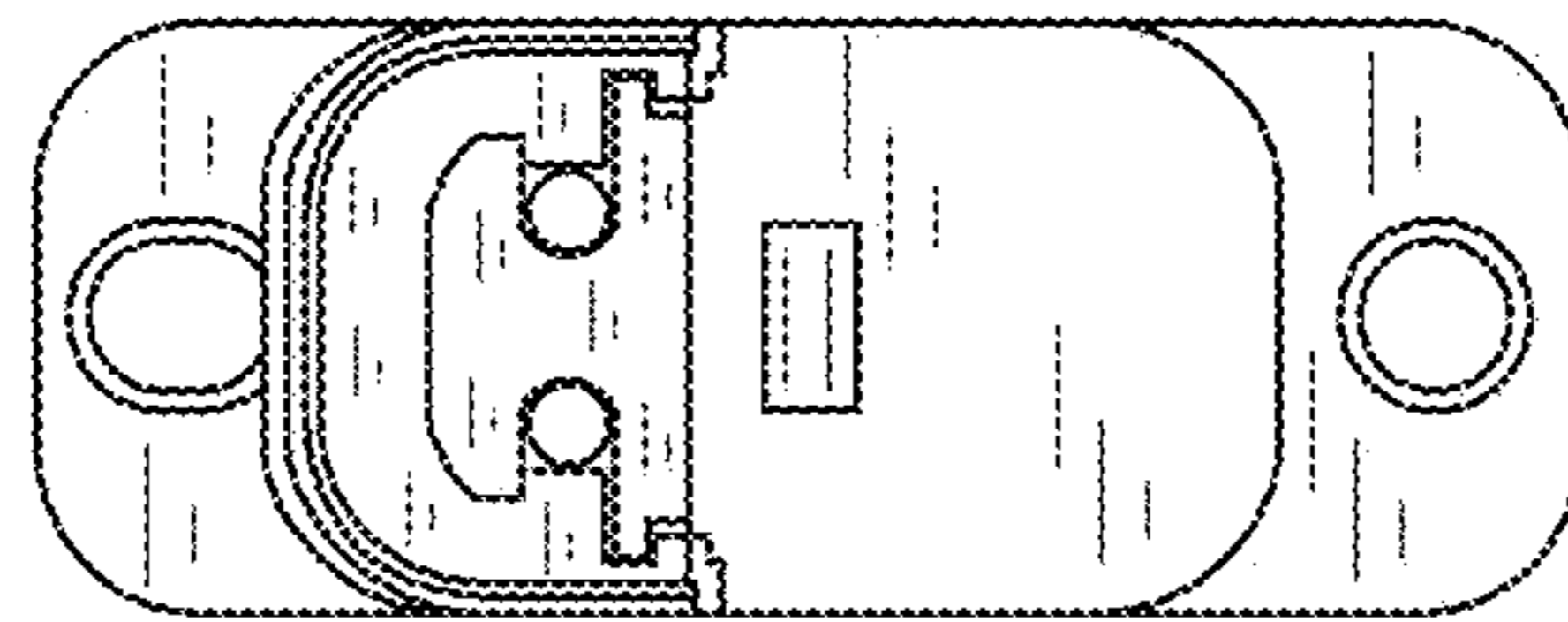


FIG. 6

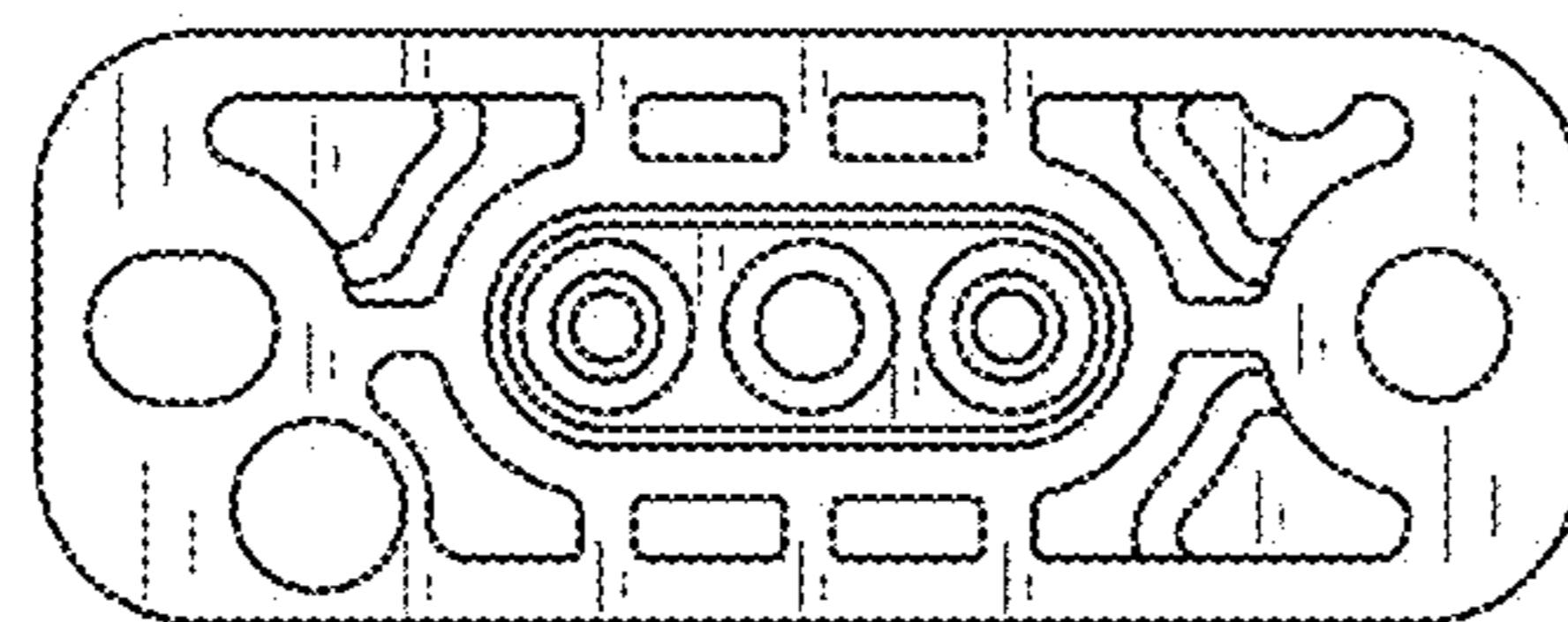


FIG. 7

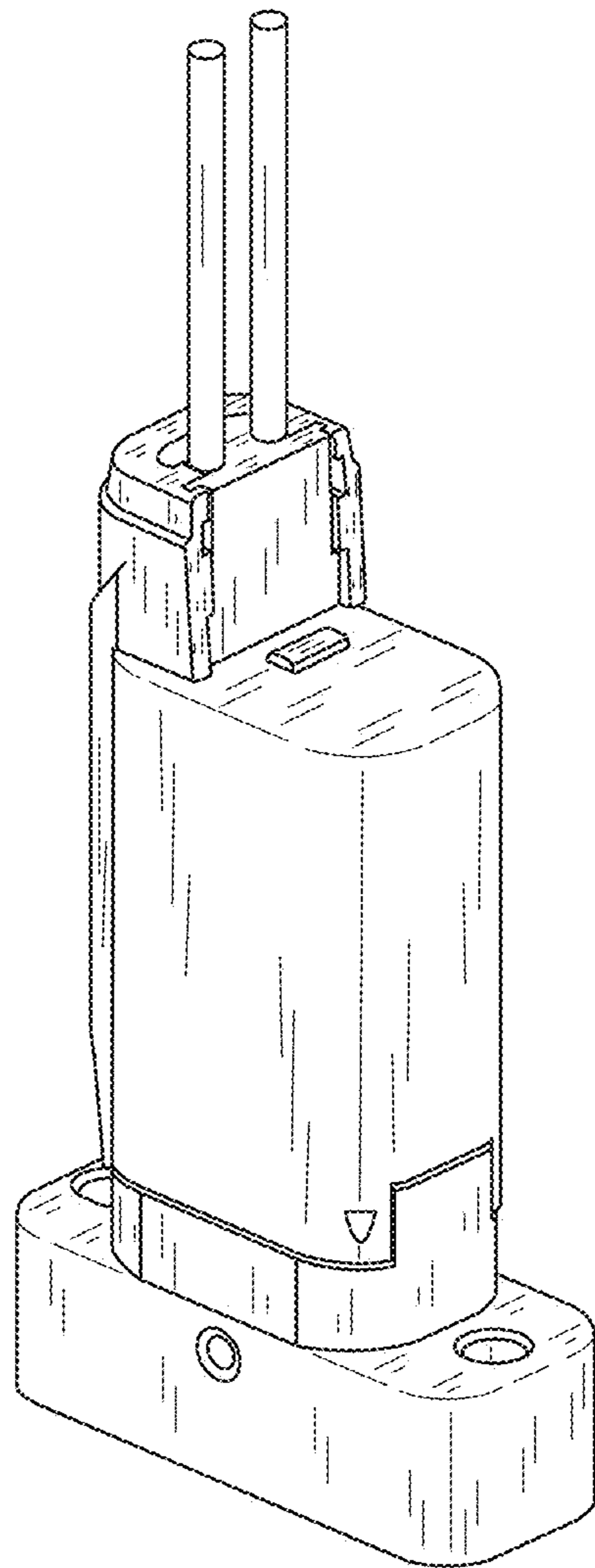


FIG. 8

