

US00D734832S

(12) **United States Design Patent**  
**Velgersdyk et al.**

(10) **Patent No.:** **US D734,832 S**  
(45) **Date of Patent:** **\*\* Jul. 21, 2015**

(54) **PLURAL COMPONENT PROPORTIONER**

(56) **References Cited**

(71) Applicant: **Graco Minnesota Inc.**, Minneapolis,  
MN (US)  
(72) Inventors: **Jeffrey N. Velgersdyk**, Minnetonka, MN  
(US); **Christopher J. Pellin**, Burnsville,  
MN (US); **Joshua D. Roden**, Lake  
Elmo, MN (US); **Roman S. Kopylov**,  
Prior Lake, MN (US)

U.S. PATENT DOCUMENTS

D532,942	S	*	11/2006	Busschaert	.....	D32/15
D596,707	S	*	7/2009	Mattson et al.	.....	D23/225
D608,414	S	*	1/2010	Legatt et al.	.....	D23/225
D616,064	S	*	5/2010	Mattson et al.	.....	D23/225
2006/0071022	A1	*	4/2006	McCormick et al.	.....	222/135
2006/0144447	A1	*	7/2006	Pittman et al.	.....	137/565.29
2008/0185097	A1	*	8/2008	Walter	.....	156/307.5
2012/0018534	A1	*	1/2012	Gilpatrick	.....	239/310

(73) Assignee: **Graco Minnesota Inc.**, Minneapolis,  
MN (US)

OTHER PUBLICATIONS  
Graco Inc. Reactor E-10 Instructions—Parts List #311075T updated  
May 2013.

(\*\*) Term: **14 Years**

\* cited by examiner

(21) Appl. No.: **29/465,480**

*Primary Examiner* — Cynthia Ramirez

(22) Filed: **Aug. 28, 2013**

(74) *Attorney, Agent, or Firm* — Douglas B. Farrow

(51) **LOC (10) Cl.** ..... **24-02**

(52) **U.S. Cl.**  
USPC ..... **D23/225**

(58) **Field of Classification Search**  
USPC ..... D23/225; 239/332, 333, 302, 308, 146,  
239/147; D32/15; 401/48  
CPC ..... G05D 11/005; G05D 11/132; B01F  
15/0462; B05B 7/2443

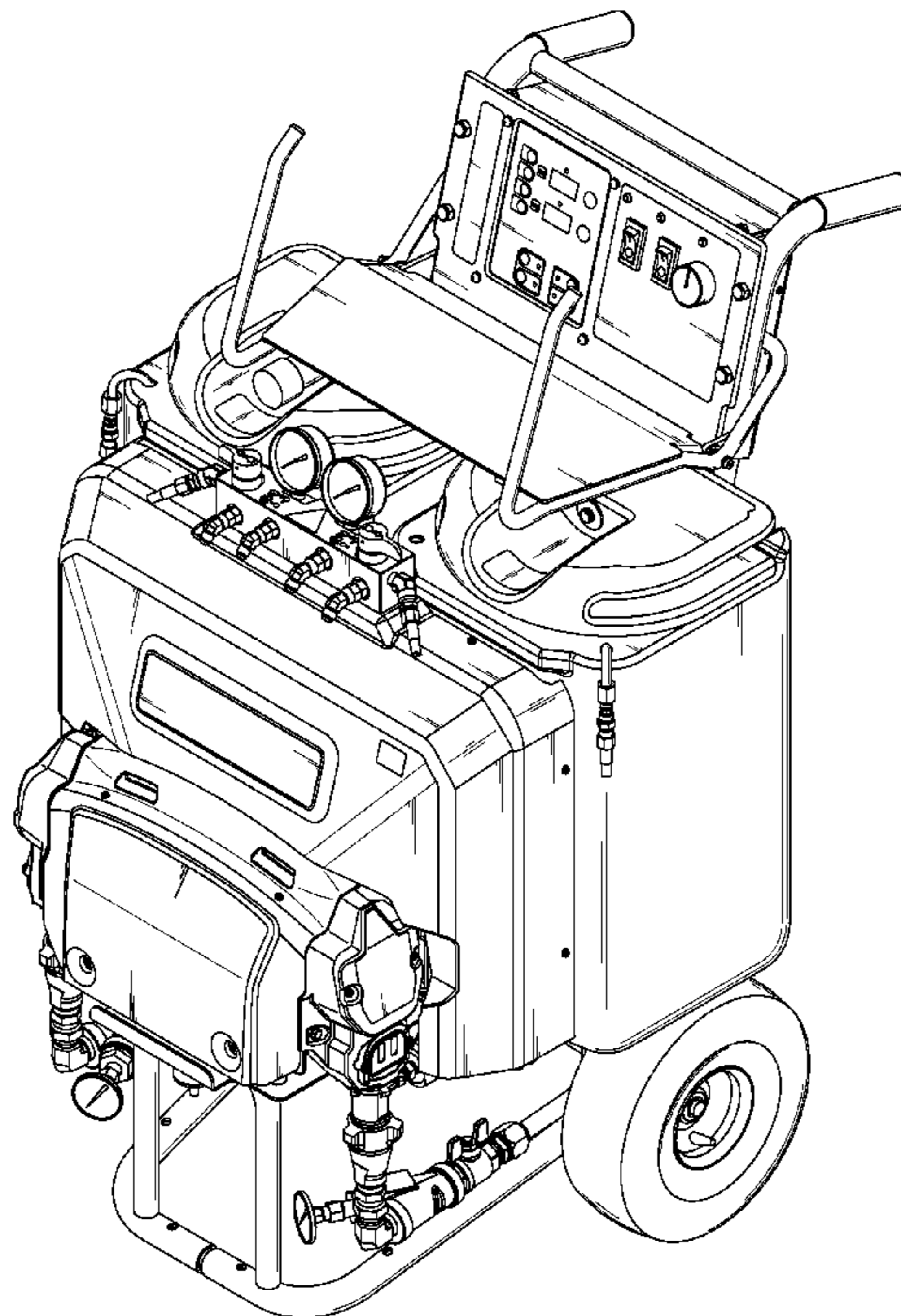
See application file for complete search history.

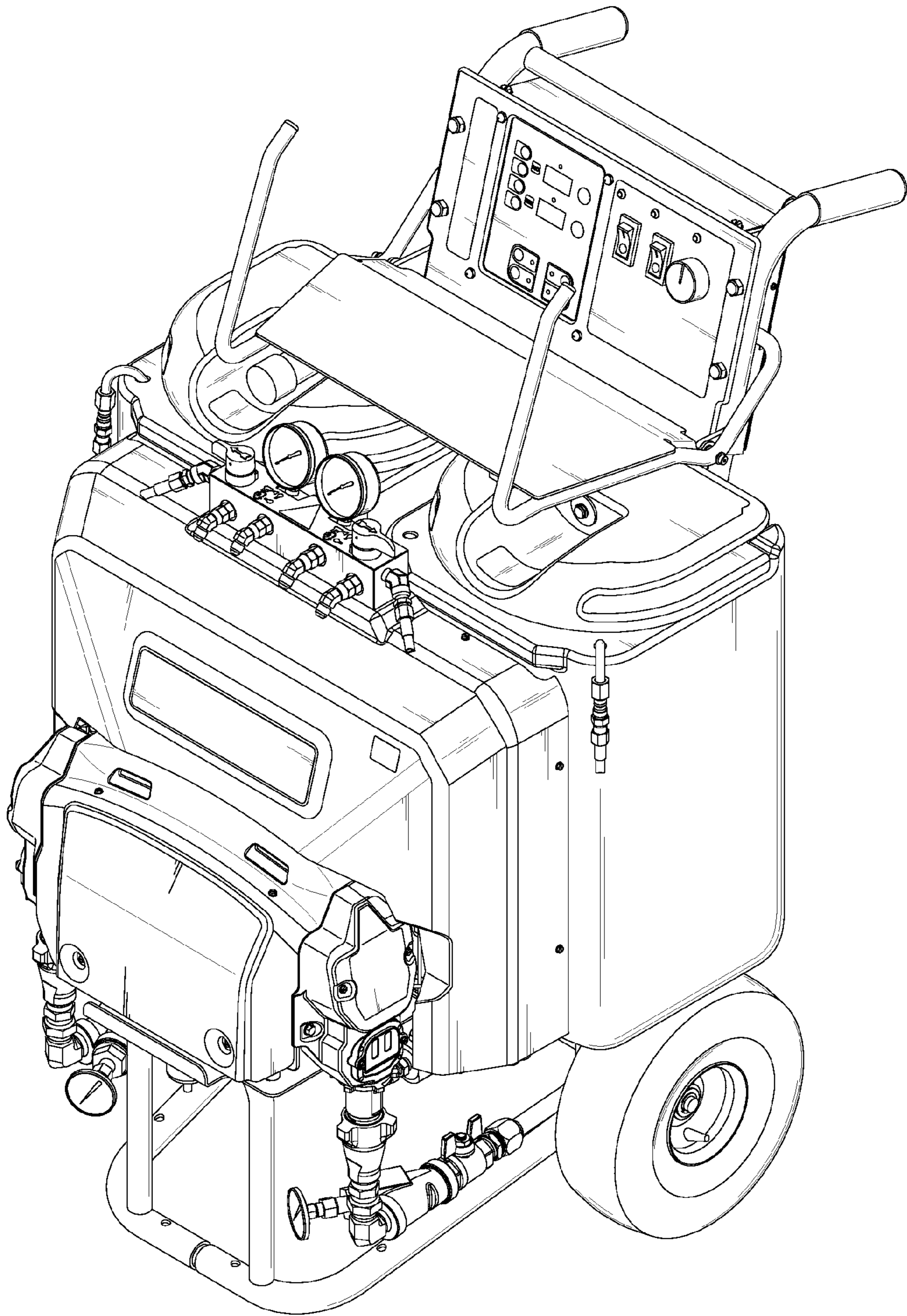
(57) **CLAIM**  
The ornamental design for a plural component proportioner,  
as shown and described.

**DESCRIPTION**

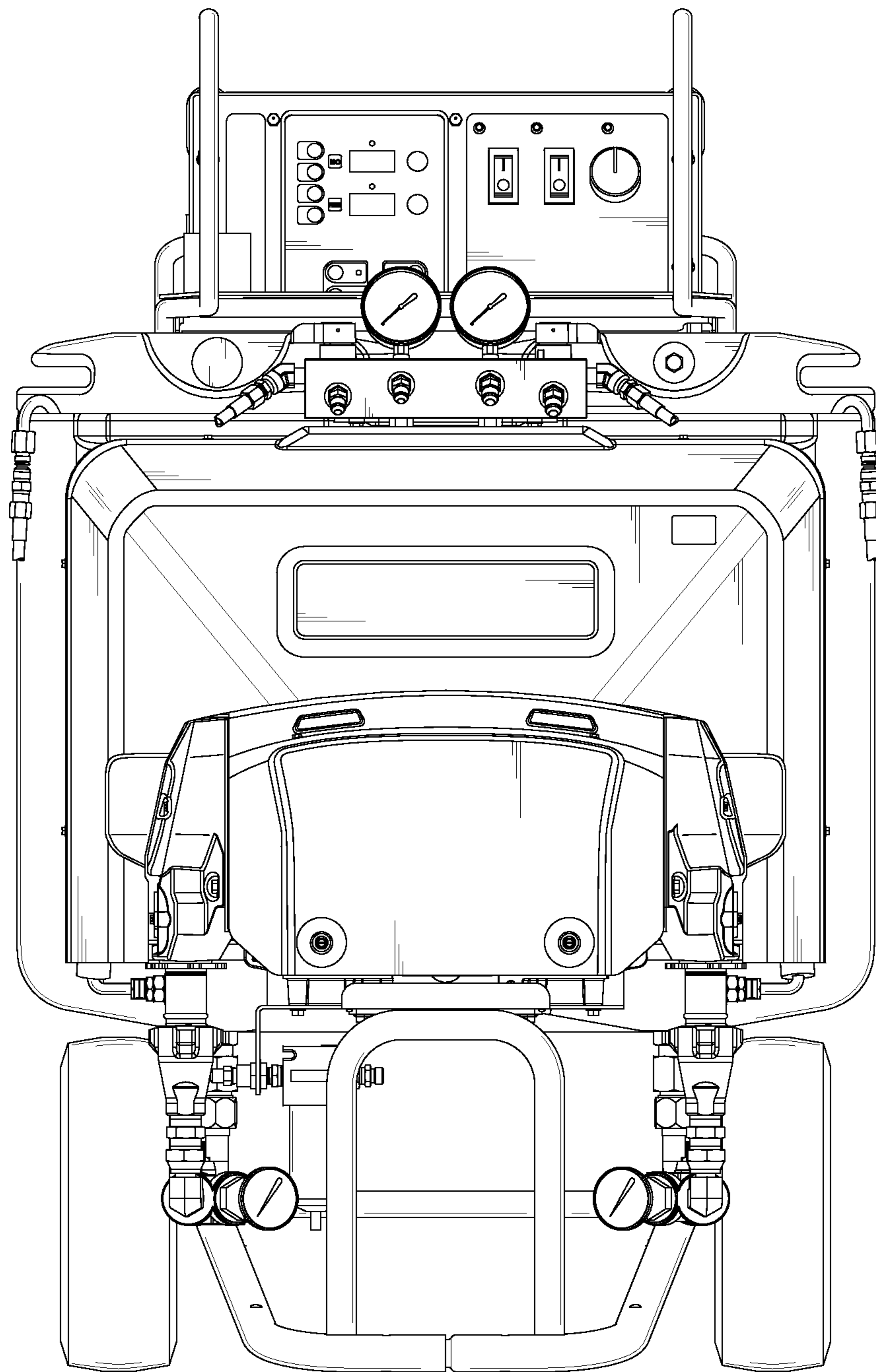
FIG. 1 is a front right isometric view of a plural component  
proportioner;  
FIG. 2 is a front view thereof;  
FIG. 3 is a right side view thereof;  
FIG. 4 is a left side view thereof;  
FIG. 5 is a rear view thereof;  
FIG. 6 is a top view thereof; and,  
FIG. 7 is a bottom view of a plural component proportioner.

**1 Claim, 7 Drawing Sheets**



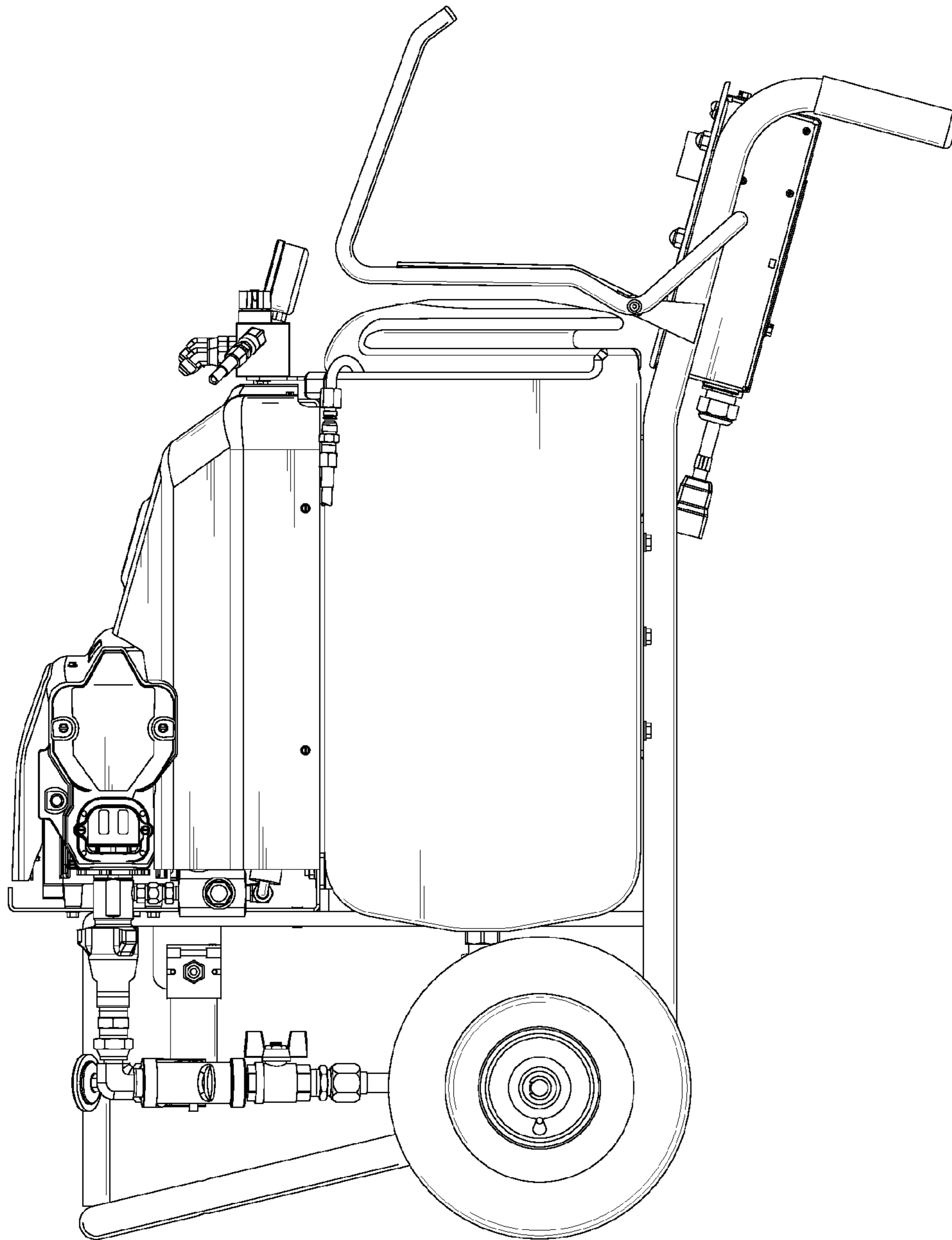


**FIG. 1**

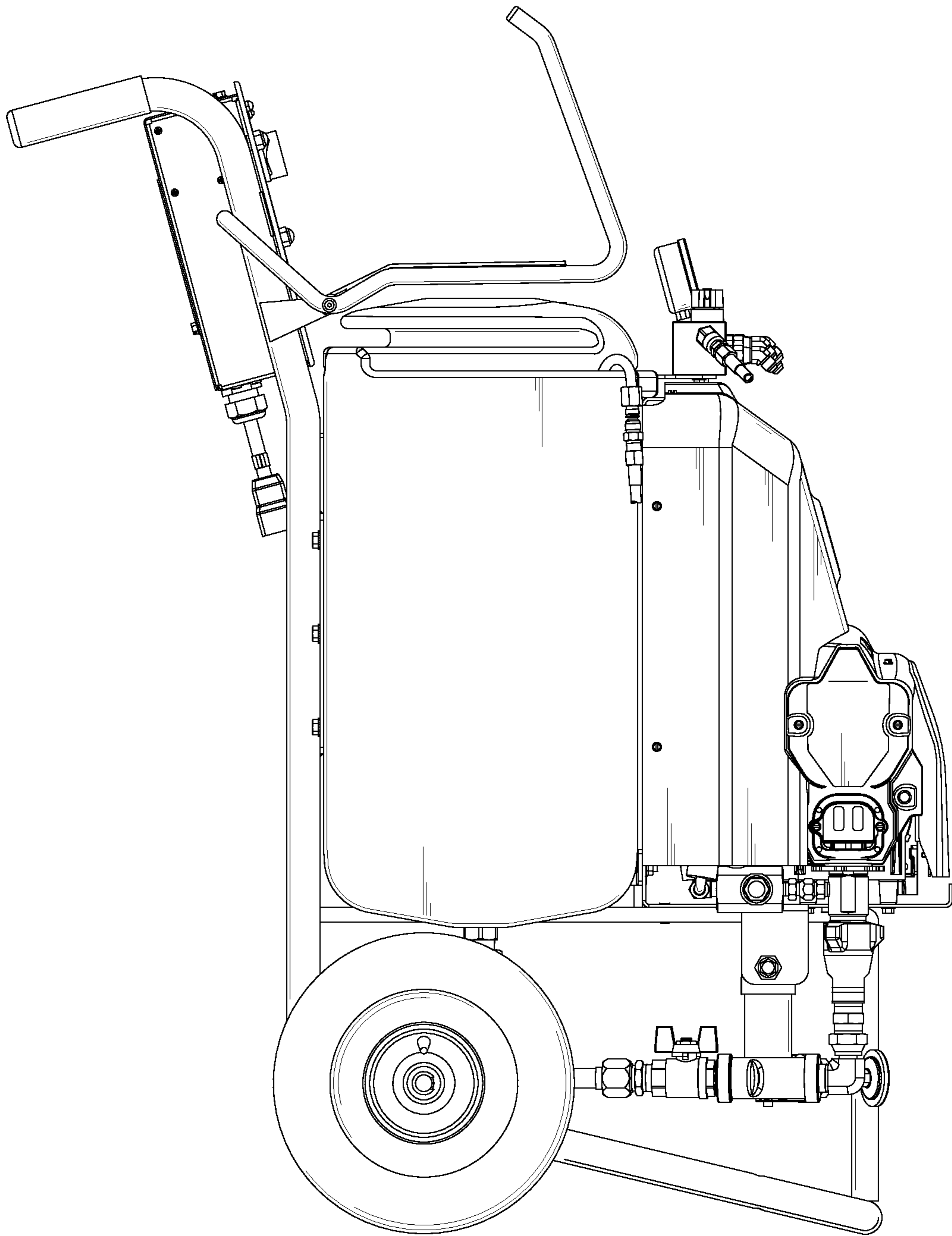


**FIG. 2**

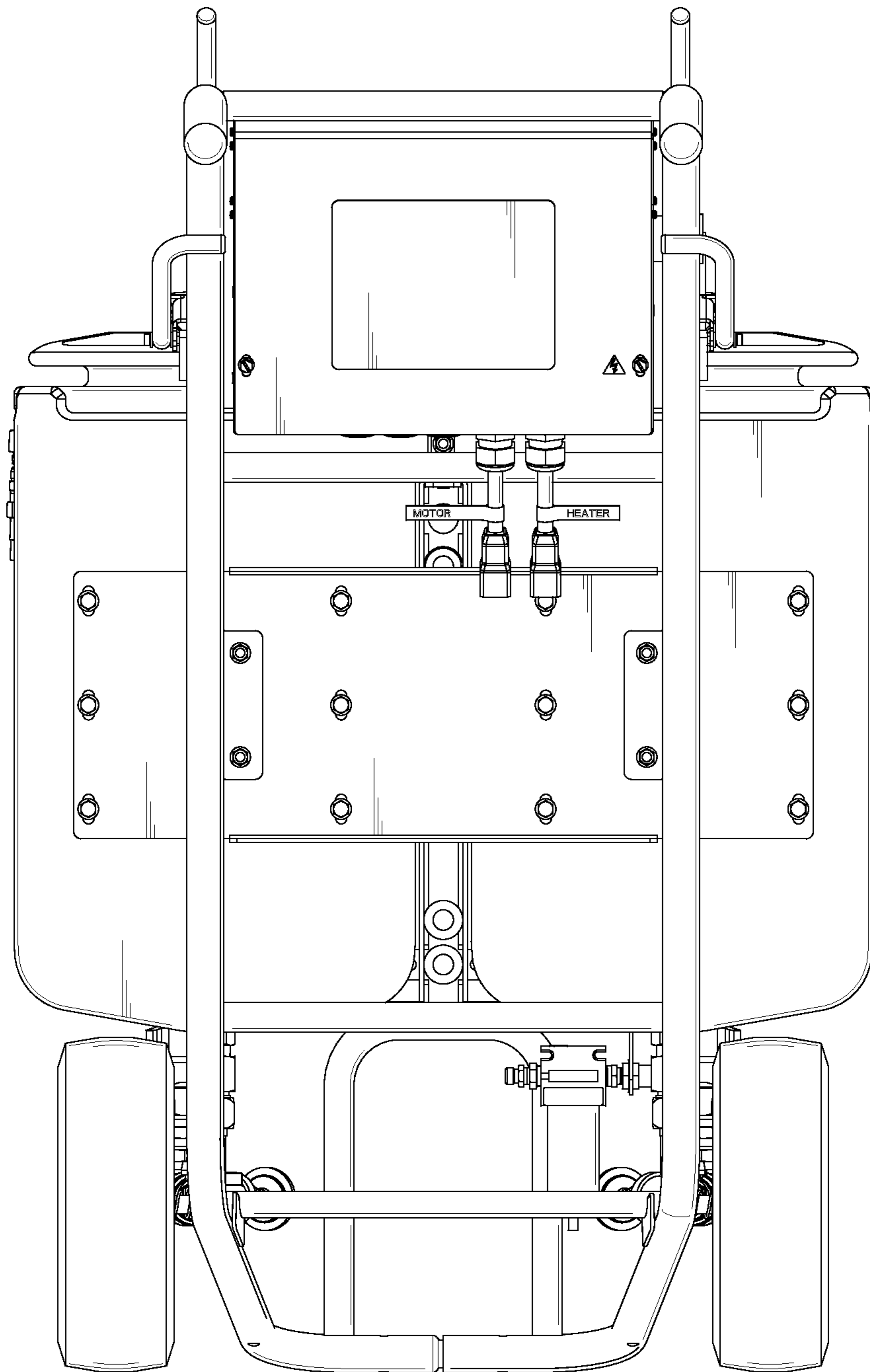




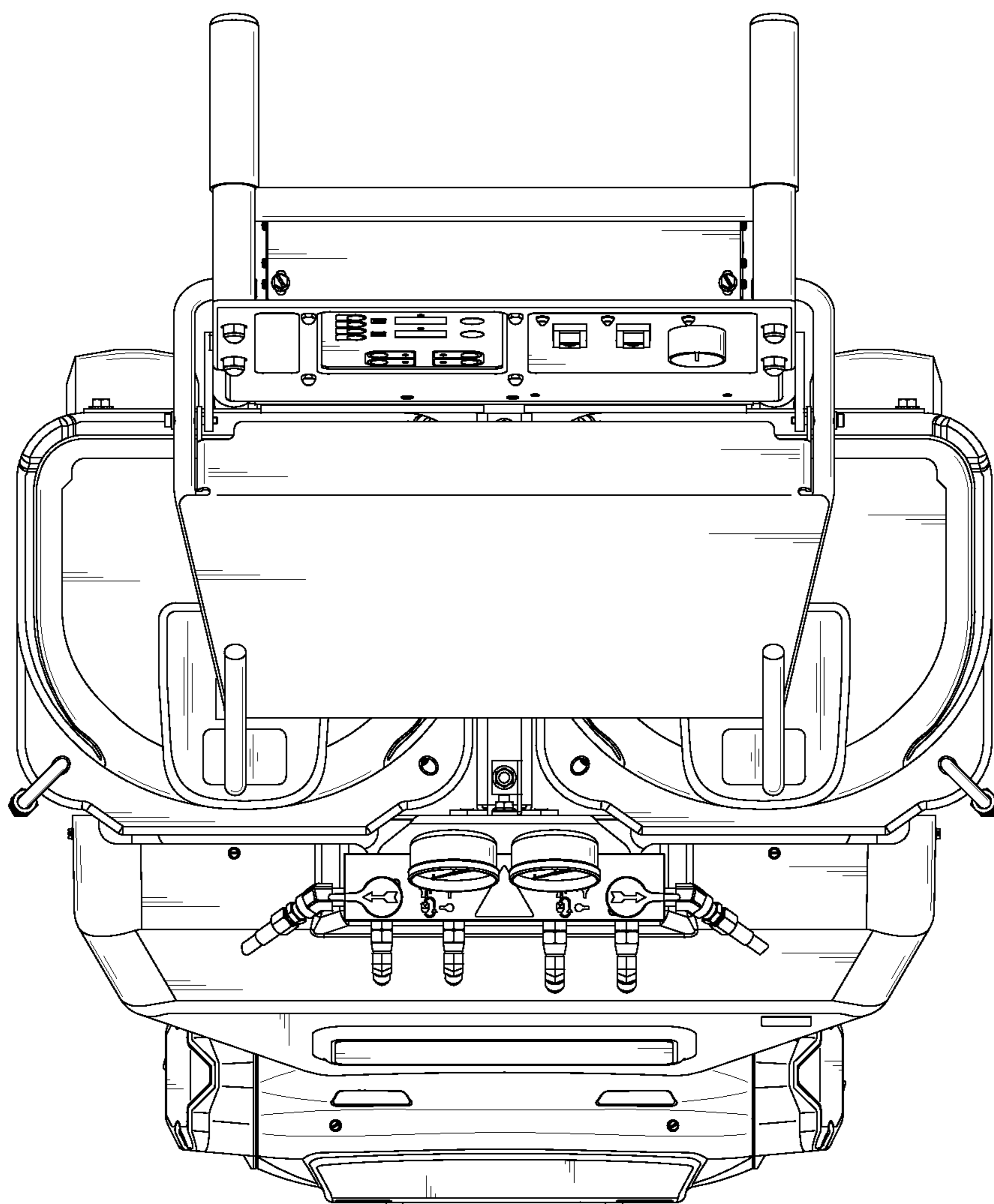
**FIG. 3**



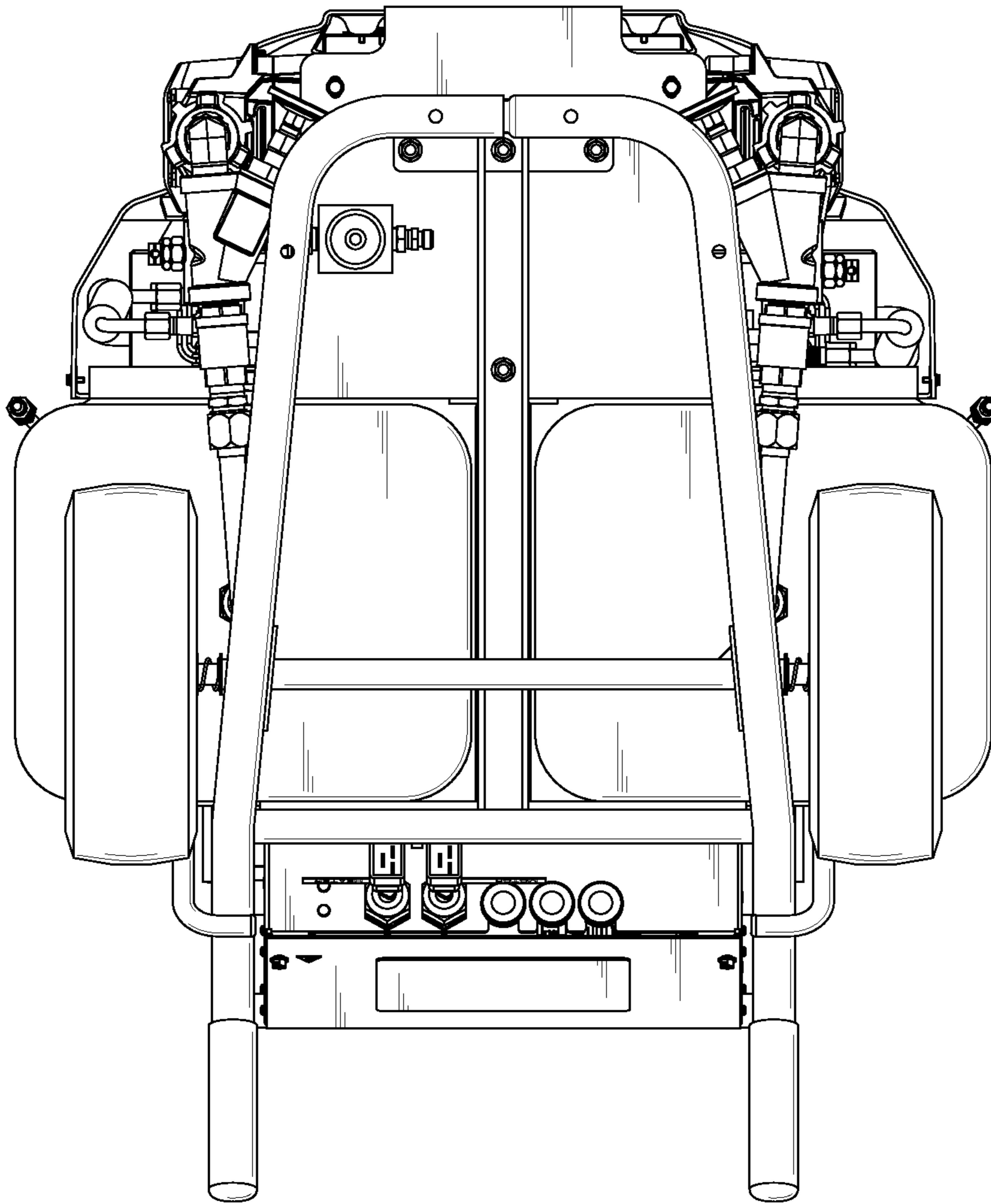
**FIG. 4**



**FIG. 5**



**FIG. 6**



**FIG. 7**