



US00D734828S

(12) **United States Design Patent**
Geissele

(10) **Patent No.:** **US D734,828 S**
(45) **Date of Patent:** **** Jul. 21, 2015**

(54) **BARREL NUT FOR A FIREARM**

(71) Applicant: **William H. Geissele**, Lower Gwynedd, PA (US)

(72) Inventor: **William H. Geissele**, Lower Gwynedd, PA (US)

(73) Assignee: **WHG Properties, LLC**, North Wales, PA (US)

(**) Term: **14 Years**

(21) Appl. No.: **29/479,190**

(22) Filed: **Jan. 13, 2014**

(51) **LOC (10) Cl.** **22-01**

(52) **U.S. Cl.**

USPC **D22/108**

(58) **Field of Classification Search**

USPC D22/108; 89/14.05, 14.1-14.8;
42/8-12, 44, 63-64, 75.01-75.04,
42/76.01, 76.02-76.1

CPC F41A 21/02; F41A 21/08; F41A 21/48;
F41A 21/481; F41A 21/482; F41A 21/484;
F41A 21/485; F41A 21/487; F41A 21/488

See application file for complete search history.

(56) **References Cited**

U.S. PATENT DOCUMENTS

3,118,243 A * 1/1964 Manshel 42/76.02
5,987,797 A * 11/1999 Dustin 42/75.02

(Continued)

Primary Examiner — Michael A Pratt

(74) *Attorney, Agent, or Firm* — Merchant & Gould, P.C.

(57) **CLAIM**

The ornamental design for a barrel nut for a firearm, as shown and described.

DESCRIPTION

FIG. 1 is an isometric view of a first embodiment of a barrel nut for a firearm;

FIG. 2 is a top view of the barrel nut for a firearm of FIG. 1; FIG. 3 is a bottom view of the barrel nut for a firearm of FIG. 1;

FIG. 4 is a right side elevation view of the barrel nut for a firearm of FIG. 1;

FIG. 5 is a left side elevation view of the barrel nut for a firearm of FIG. 1;

FIG. 6 is a front elevation view of the barrel nut for a firearm of FIG. 1;

FIG. 7 is a rear elevation view of the barrel nut for a firearm of FIG. 1;

FIG. 8 is an isometric view of a second embodiment of a barrel nut for a firearm;

FIG. 9 is a top view of the barrel nut for a firearm of FIG. 8; FIG. 10 is a bottom view of the barrel nut for a firearm of FIG. 8;

FIG. 11 is a right side elevation view of the barrel nut for a firearm of FIG. 8;

FIG. 12 is a left side elevation view of the barrel nut for a firearm of FIG. 8;

FIG. 13 is a front elevation view of the barrel nut for a firearm of FIG. 8;

FIG. 14 is a rear elevation view of the barrel nut for a firearm of FIG. 8;

FIG. 15 is an isometric view of a third embodiment of a barrel nut for a firearm;

FIG. 16 is a top view of the barrel nut for a firearm of FIG. 15; FIG. 17 is a bottom view of the barrel nut for a firearm of FIG. 15;

FIG. 18 is a right side elevation view of the barrel nut for a firearm of FIG. 15;

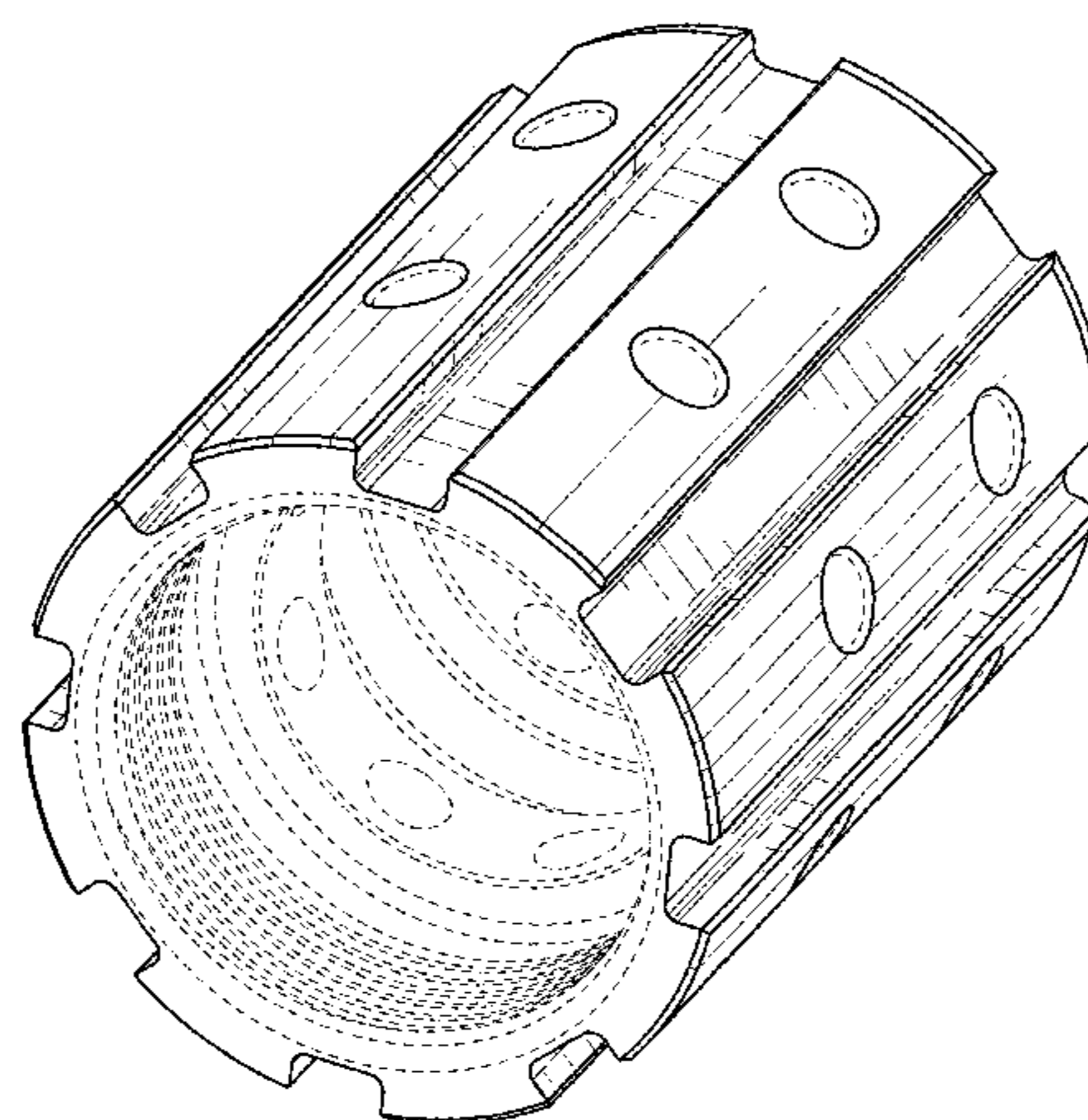
FIG. 19 is a left side elevation view of the barrel nut for a firearm of FIG. 15;

FIG. 20 is a front elevation view of the barrel nut for a firearm of FIG. 15; and,

FIG. 21 is a rear elevation view of the barrel nut for a firearm of FIG. 15.

The broken lines in the Figures are for illustrative purposes only and form no part of the claimed design.

1 Claim, 12 Drawing Sheets



(56)

References Cited

U.S. PATENT DOCUMENTS

6,694,660 B1 *	2/2004	Davies	42/75.01	8,069,604 B2 *	12/2011	Larue	42/75.1
6,959,509 B2 *	11/2005	Vais	42/75.02	8,141,287 B2 *	3/2012	Dubois	42/75.02
7,464,496 B1 *	12/2008	Davies et al.	42/75.02	8,713,838 B2 *	5/2014	Ubl et al.	42/71.01
7,966,762 B2 *	6/2011	Barrett	42/75.03	8,726,559 B1 *	5/2014	Mueller	42/75.02
					2011/0016762 A1 *	1/2011	Davies	42/75.01
					2013/0180151 A1 *	7/2013	Moore	42/90

* cited by examiner

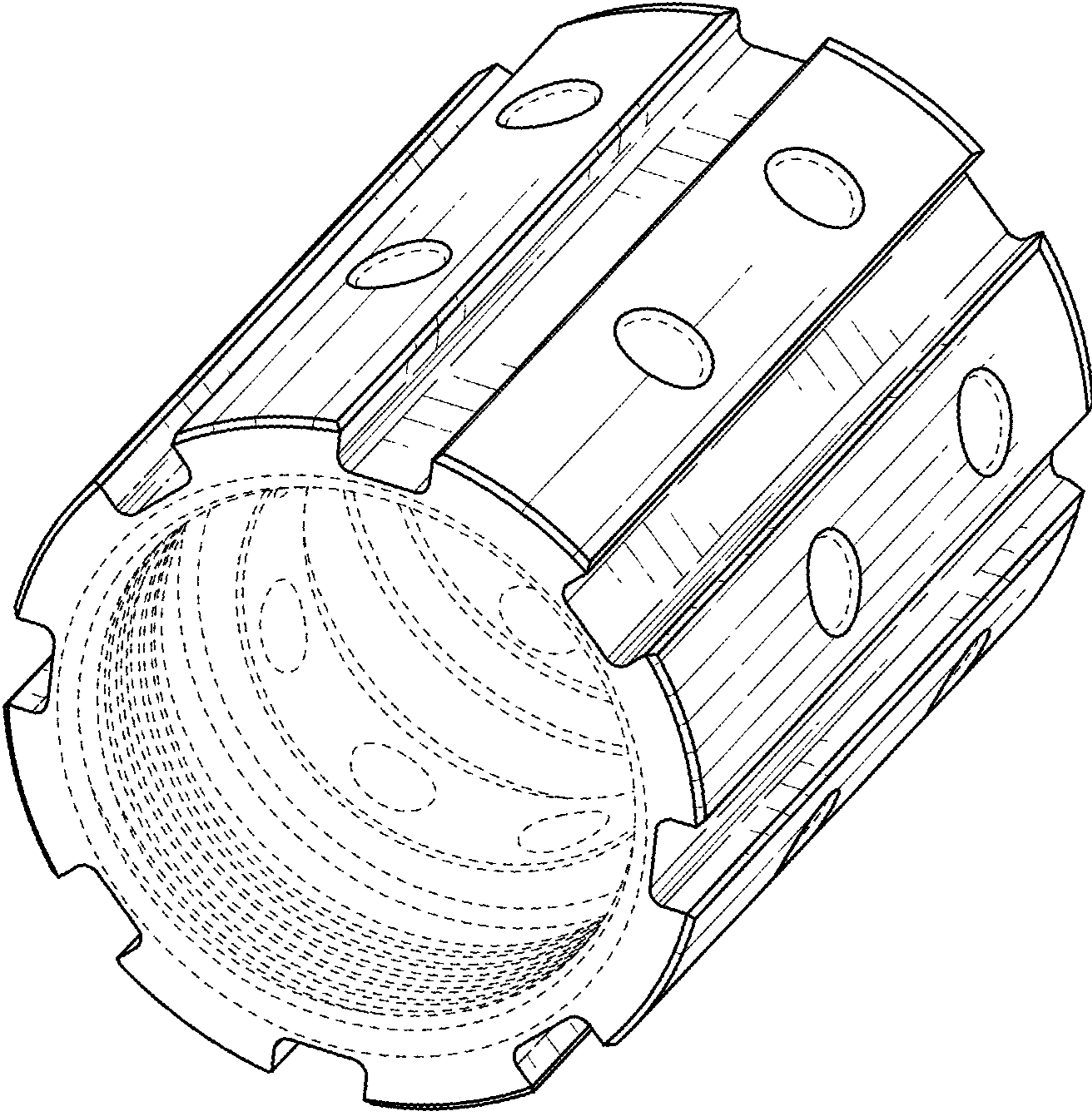


FIG. 1

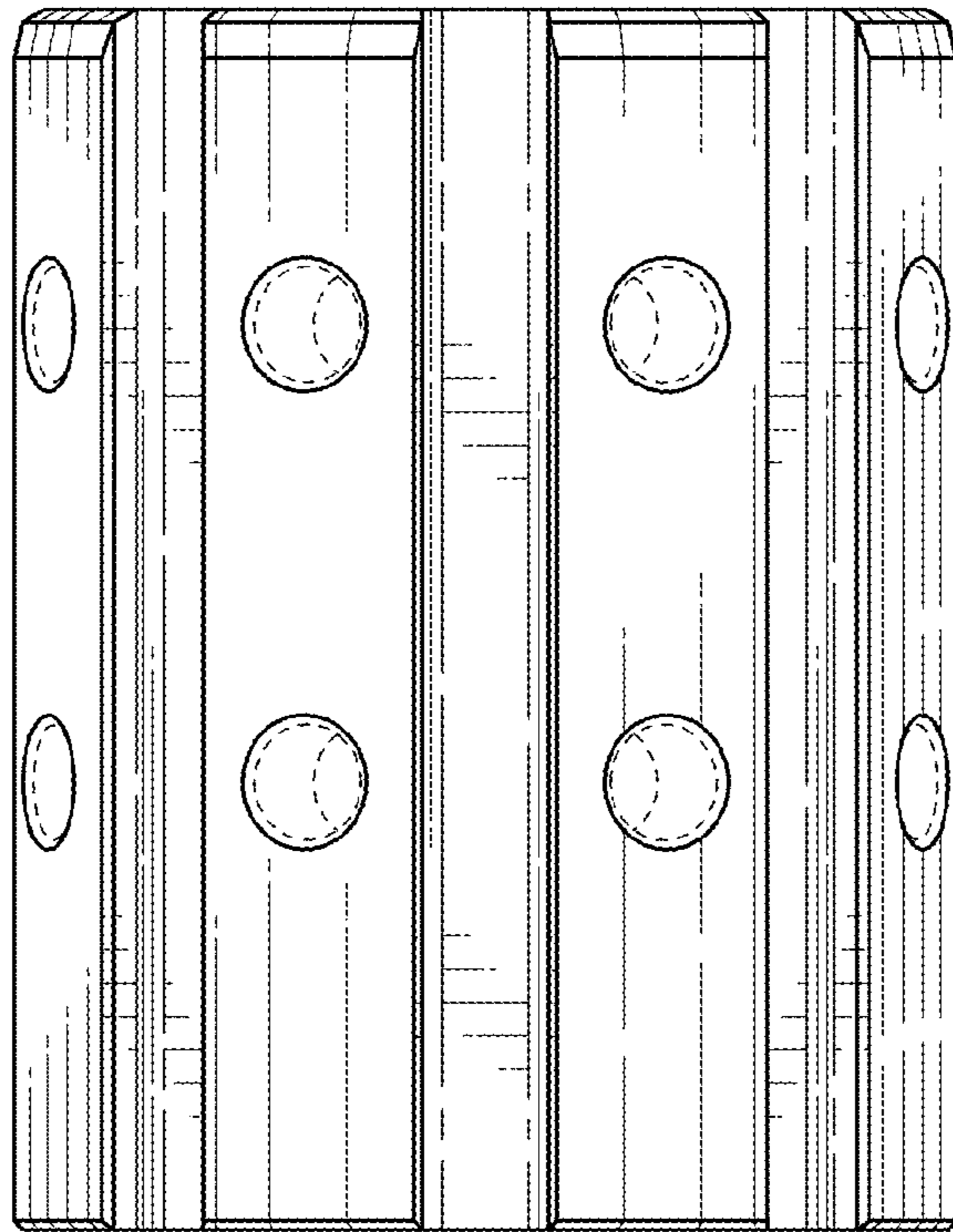


FIG. 2

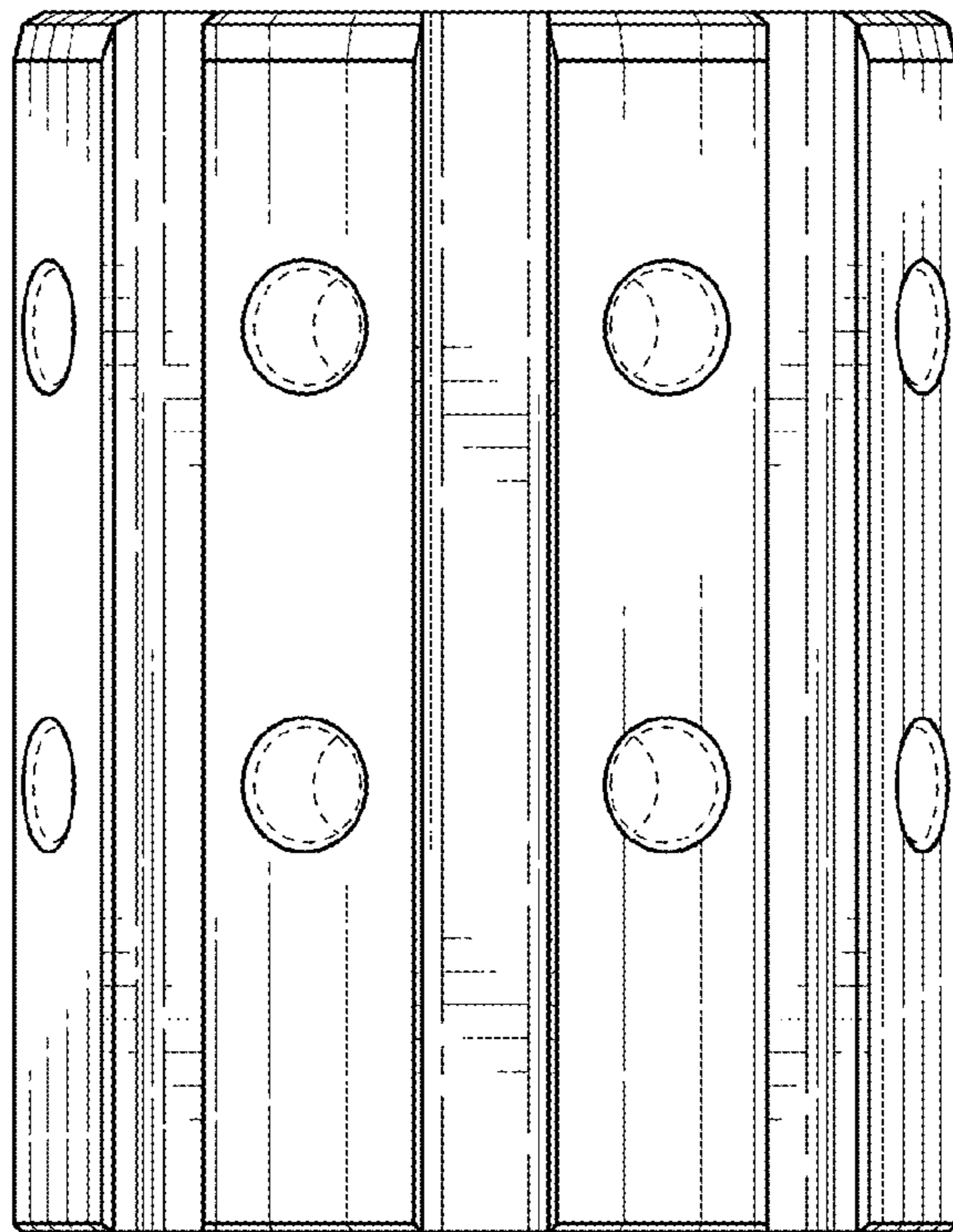


FIG. 3

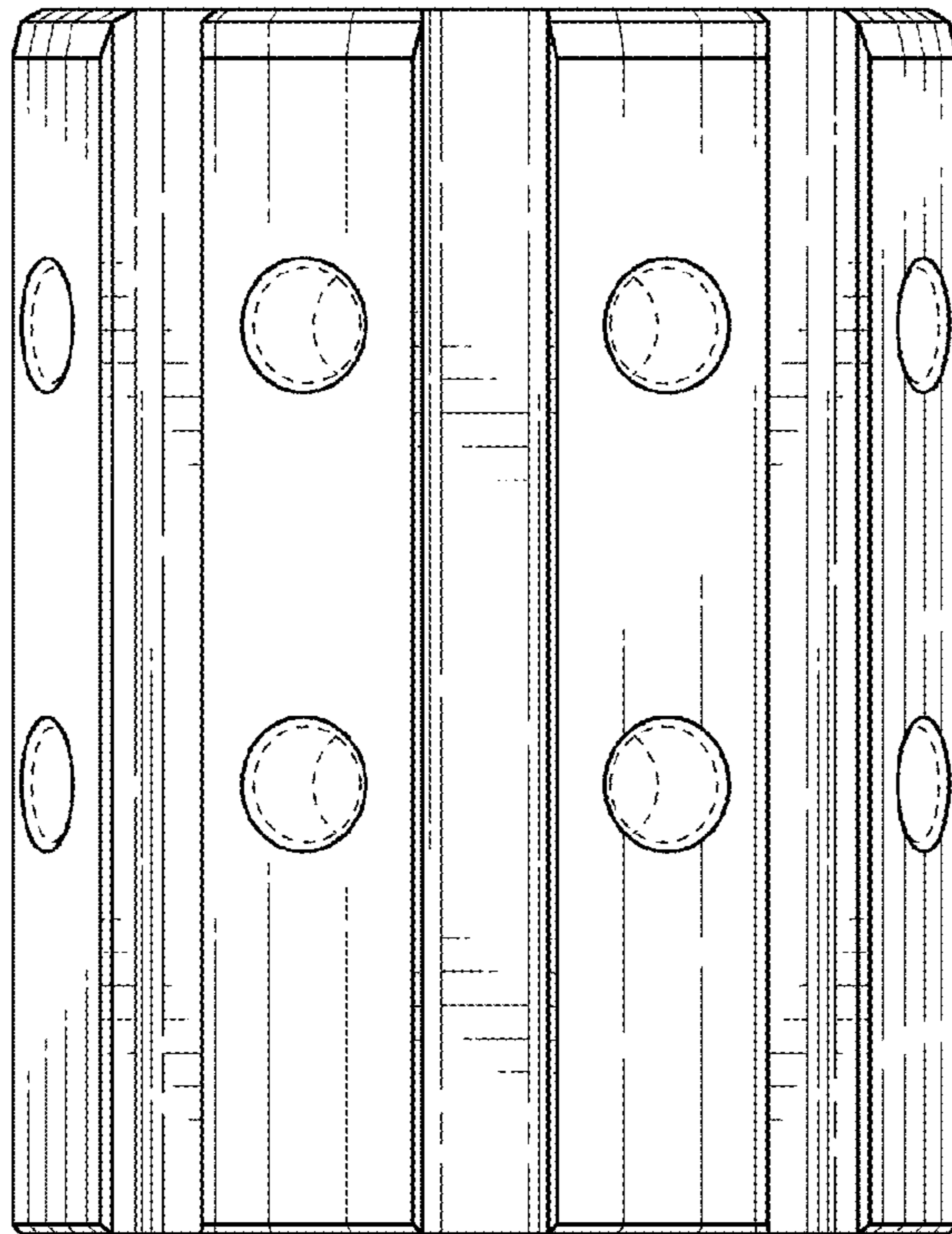


FIG. 4

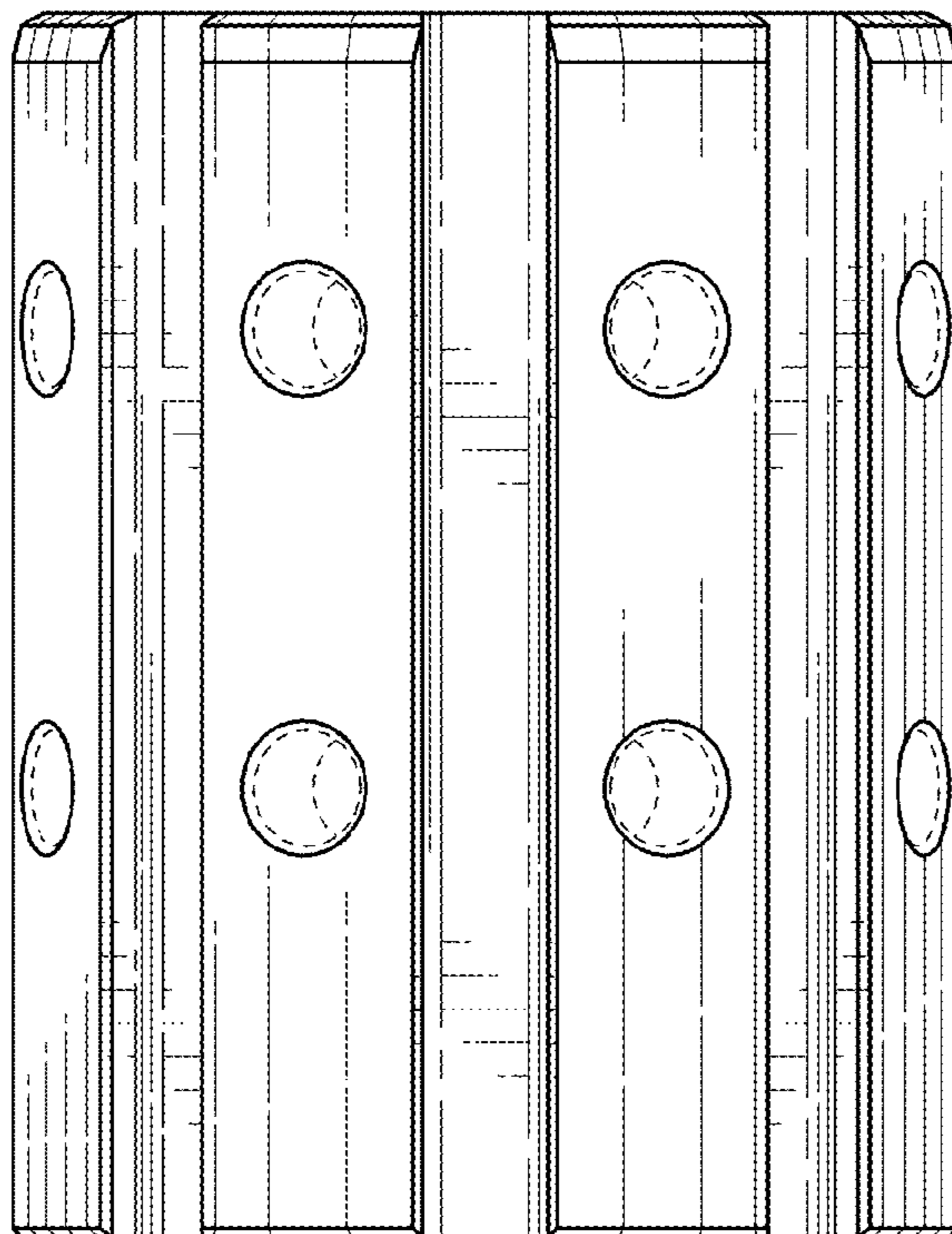


FIG. 5

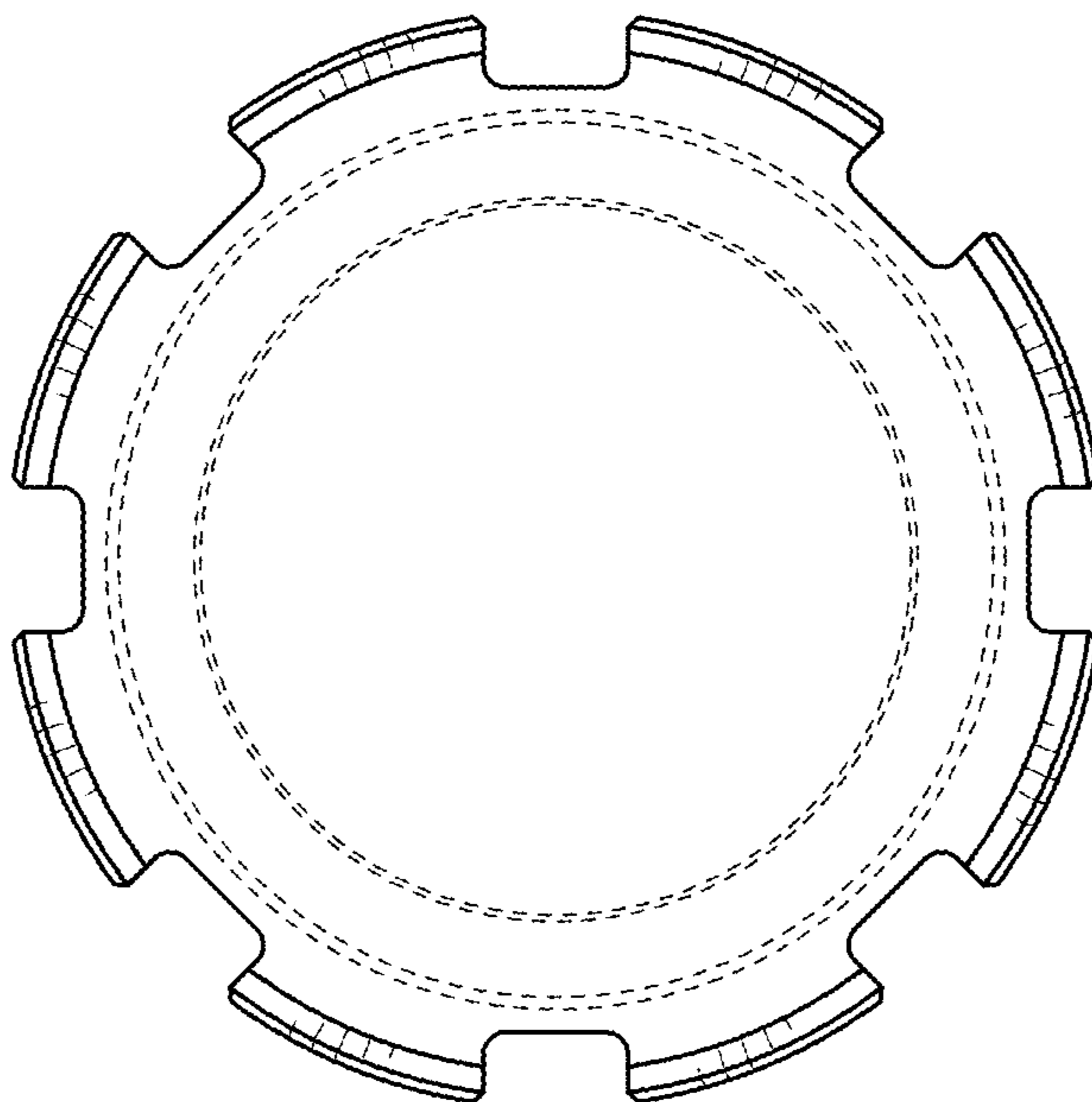


FIG. 6

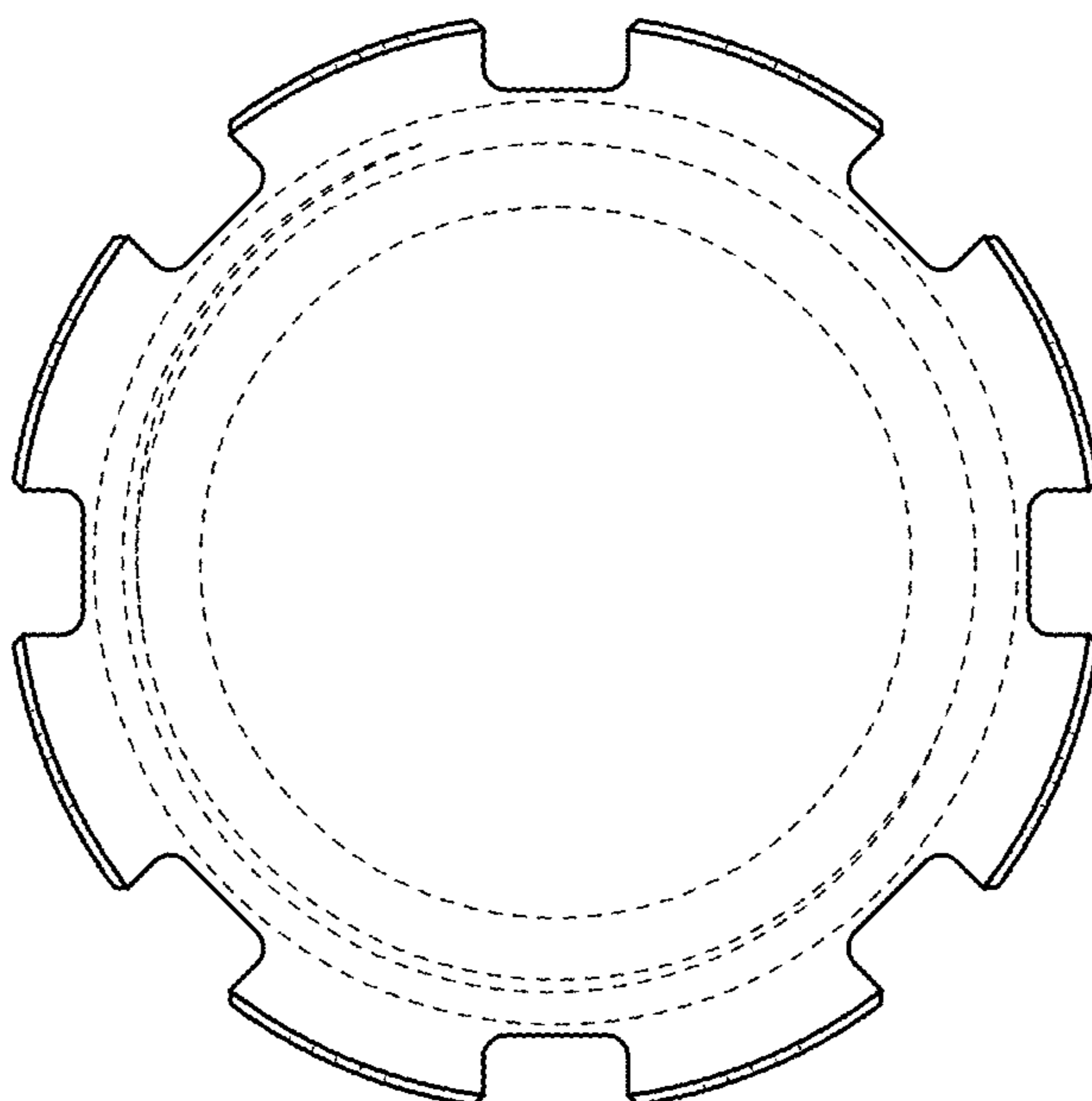


FIG. 7

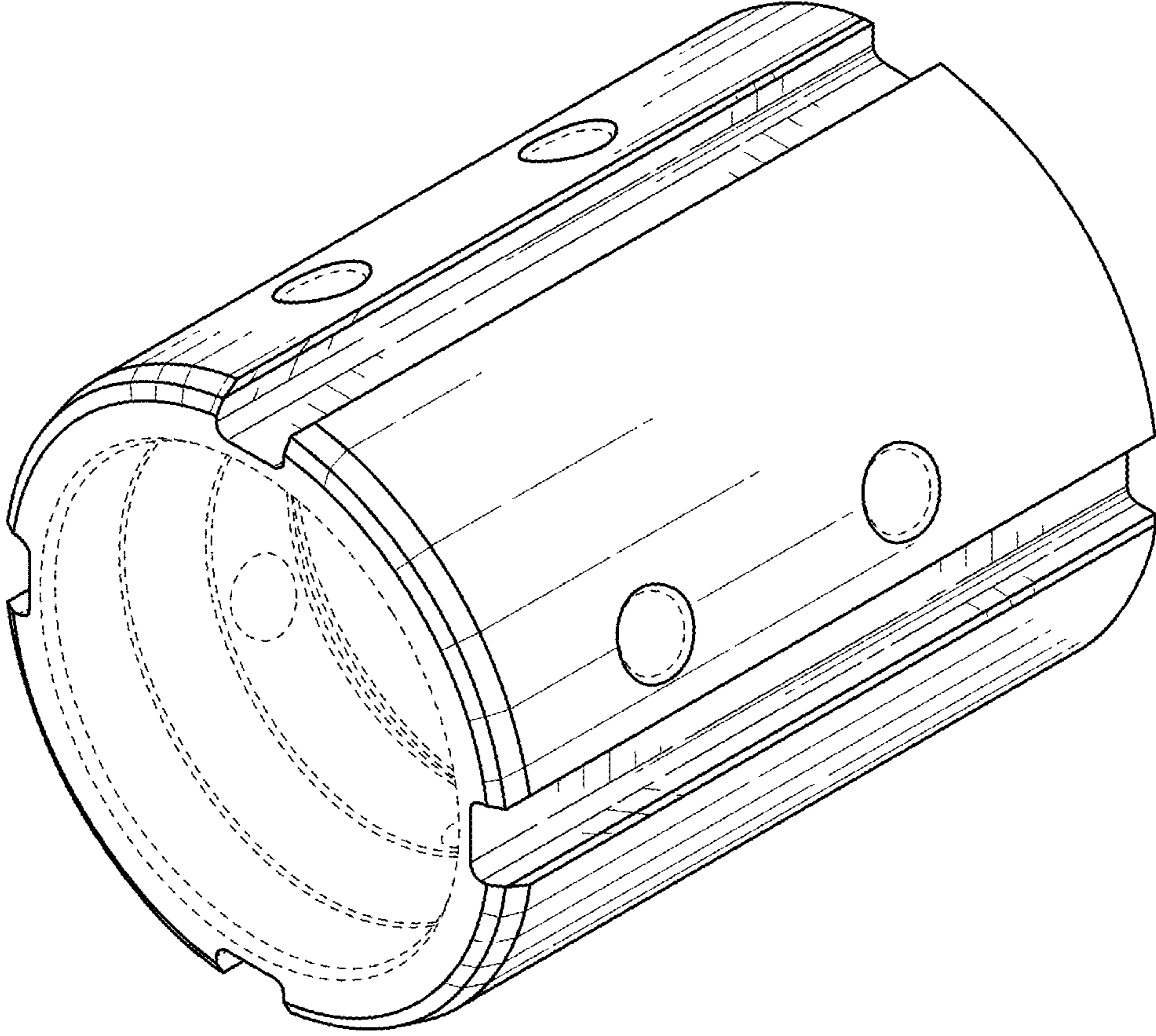


FIG. 8

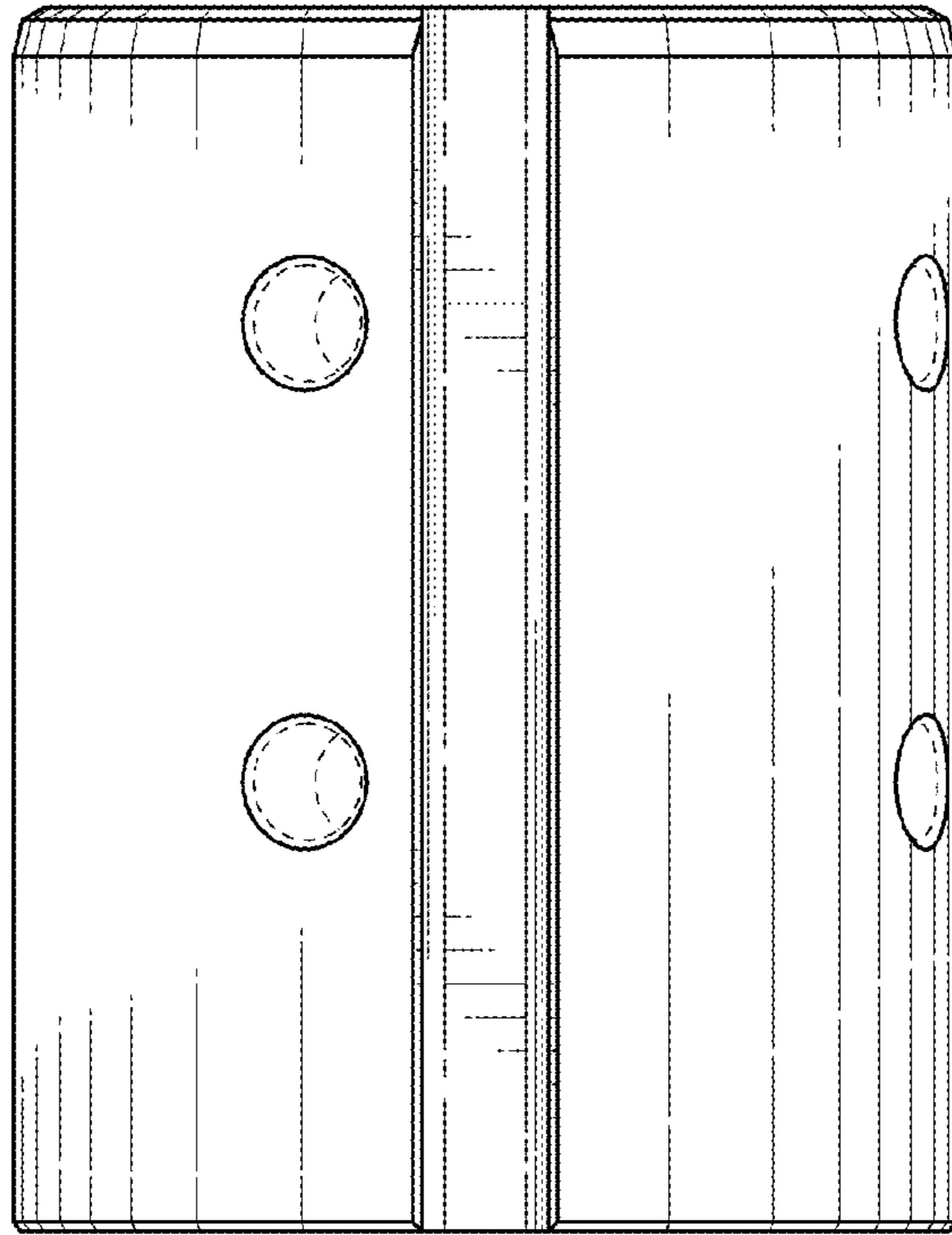


FIG. 9

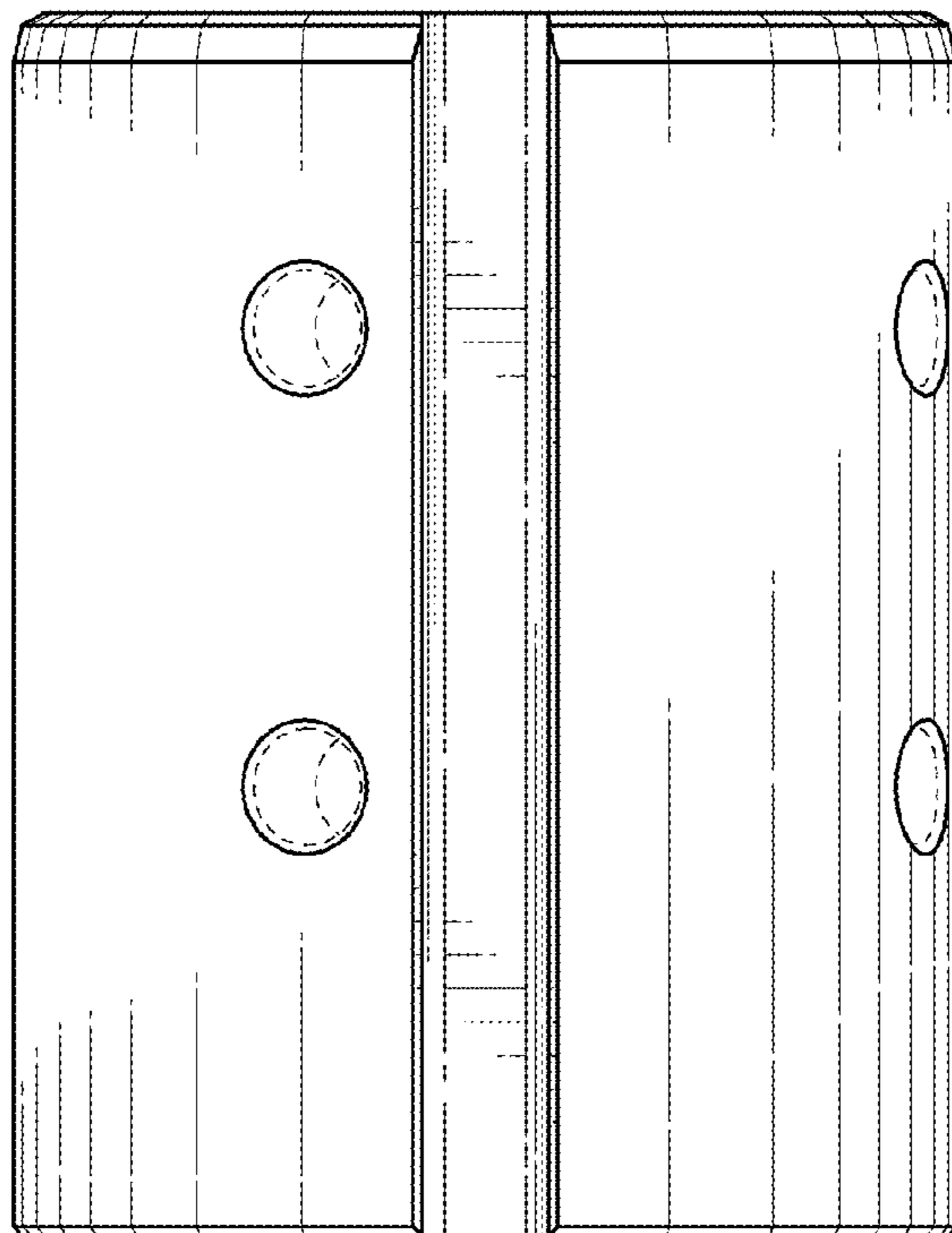


FIG. 10

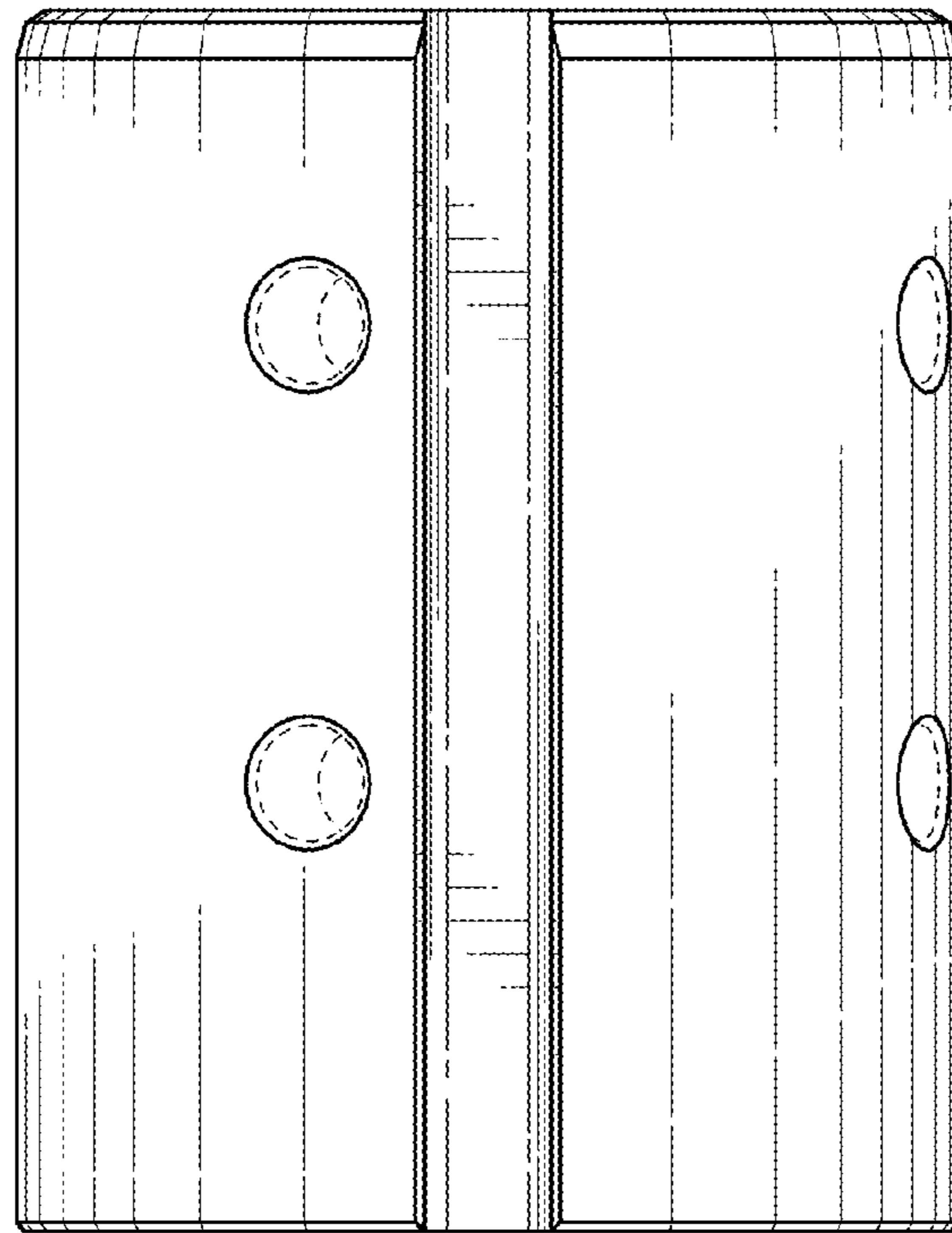


FIG. 11

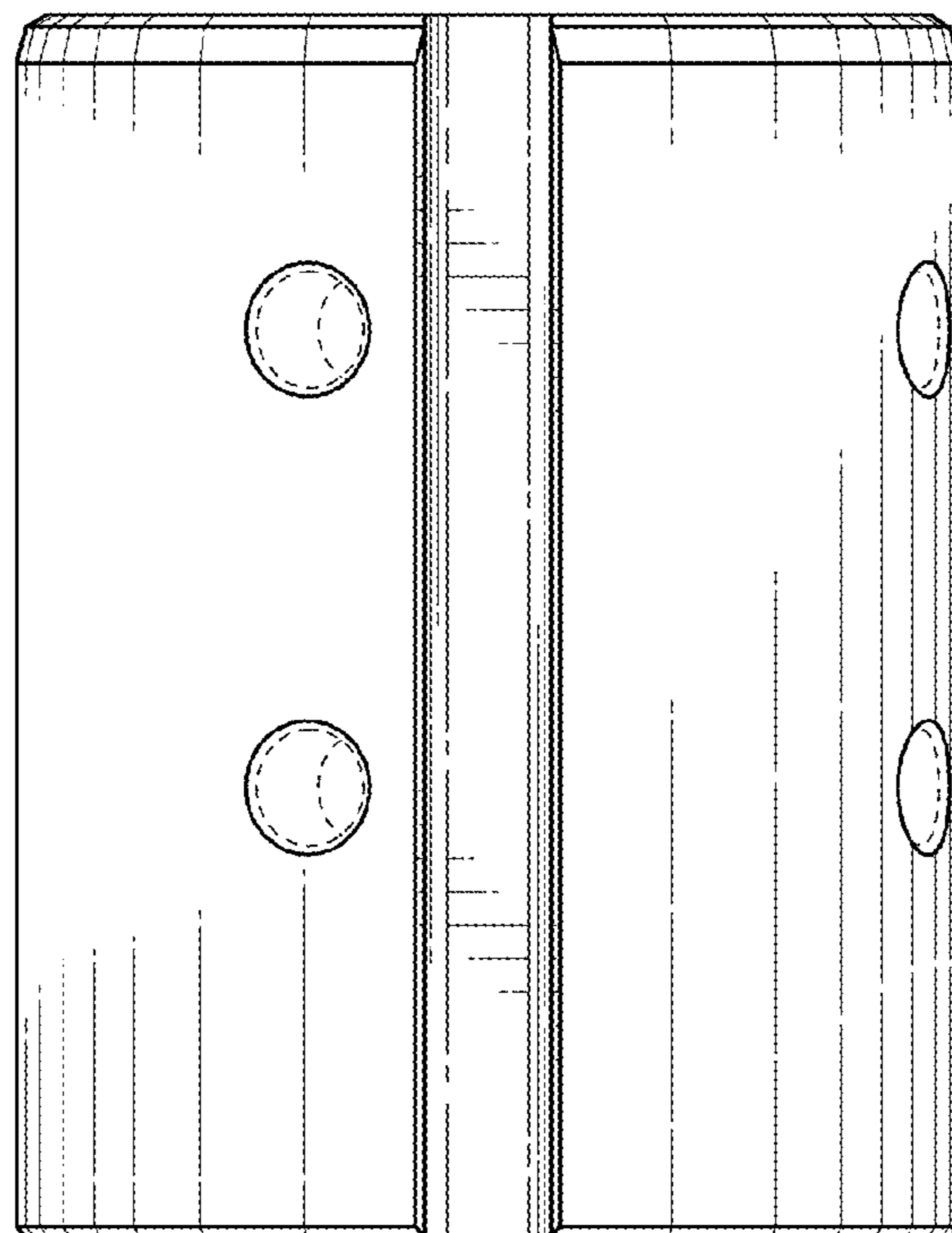


FIG. 12

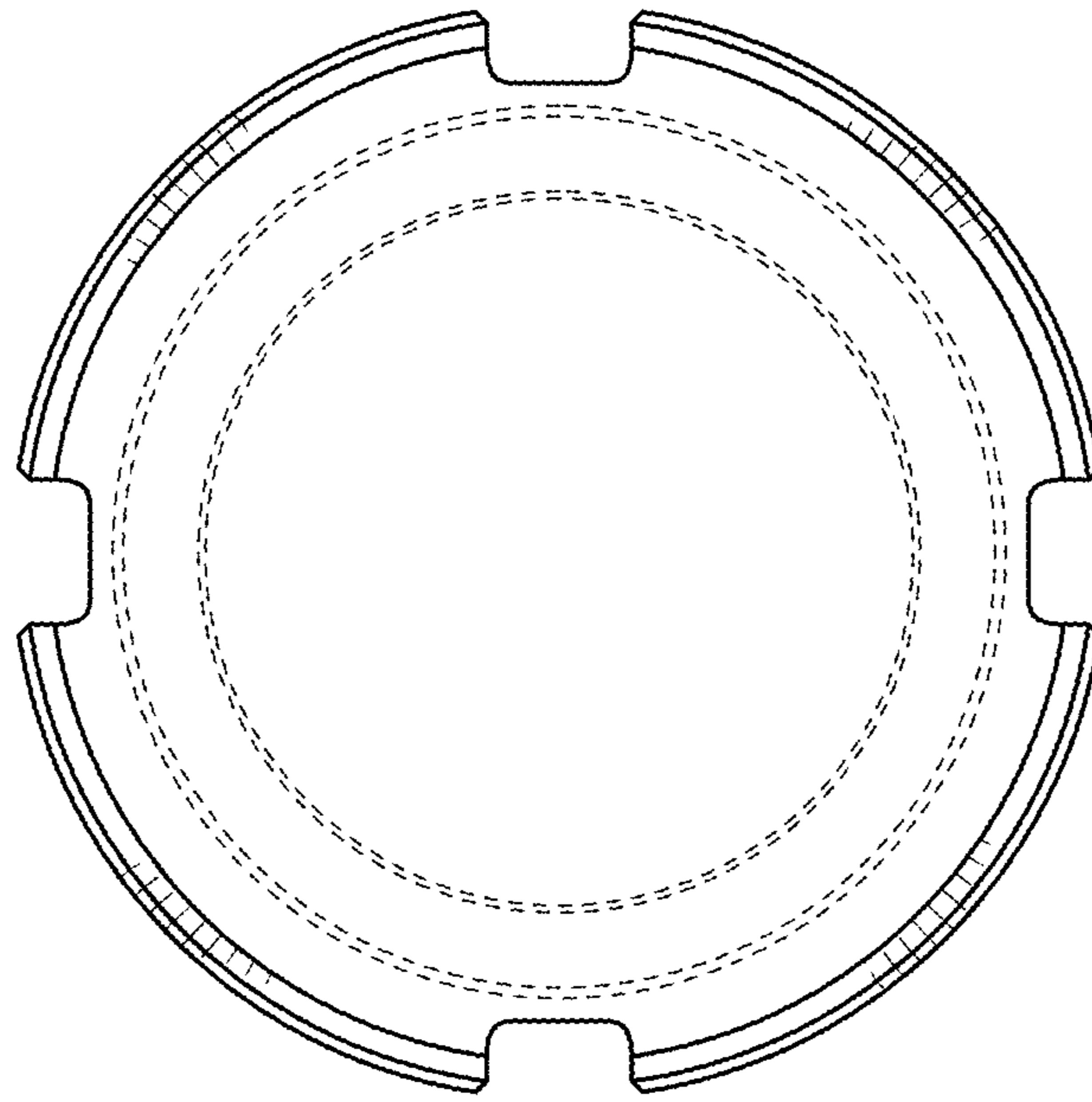


FIG. 13

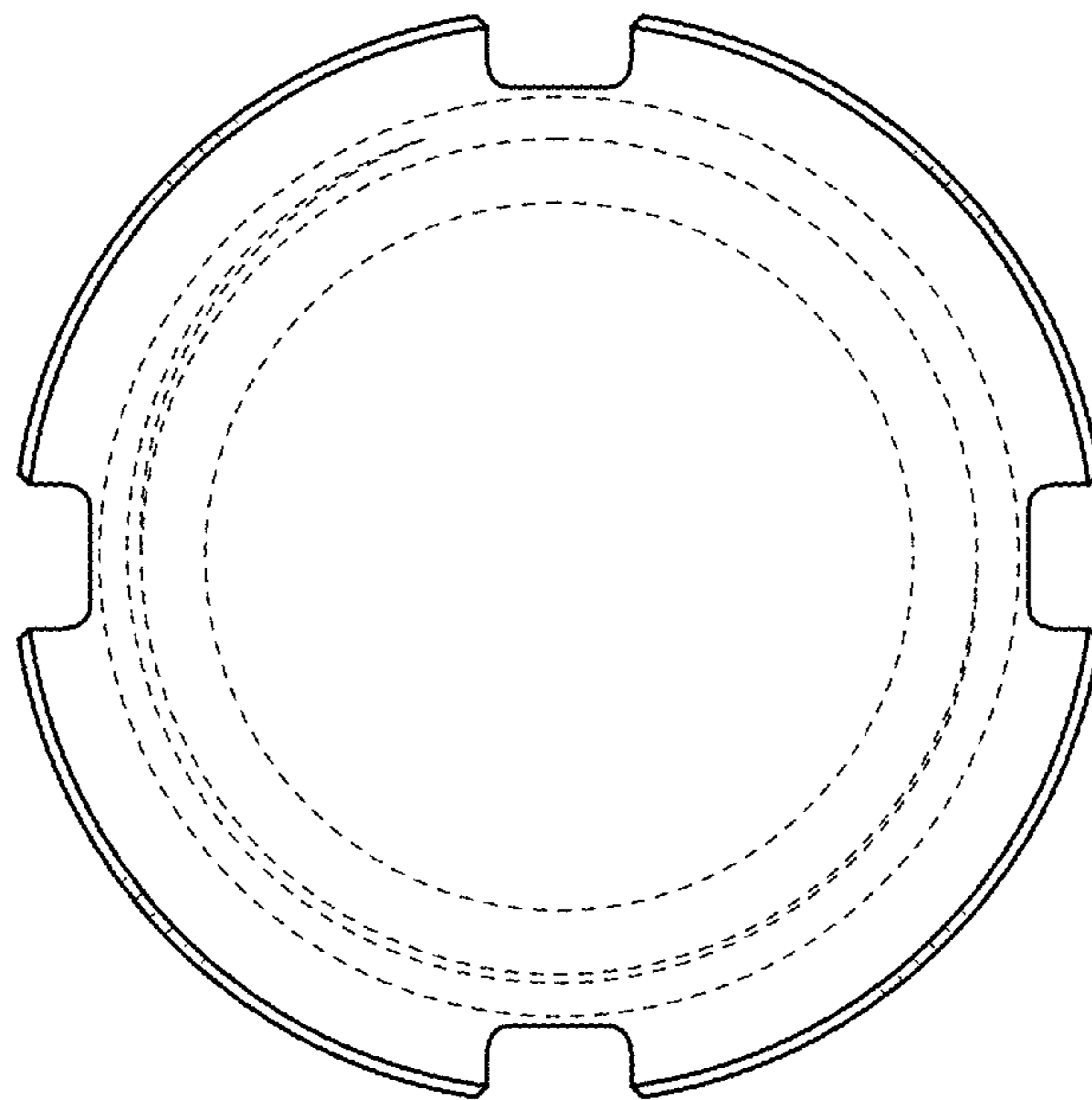


FIG. 14

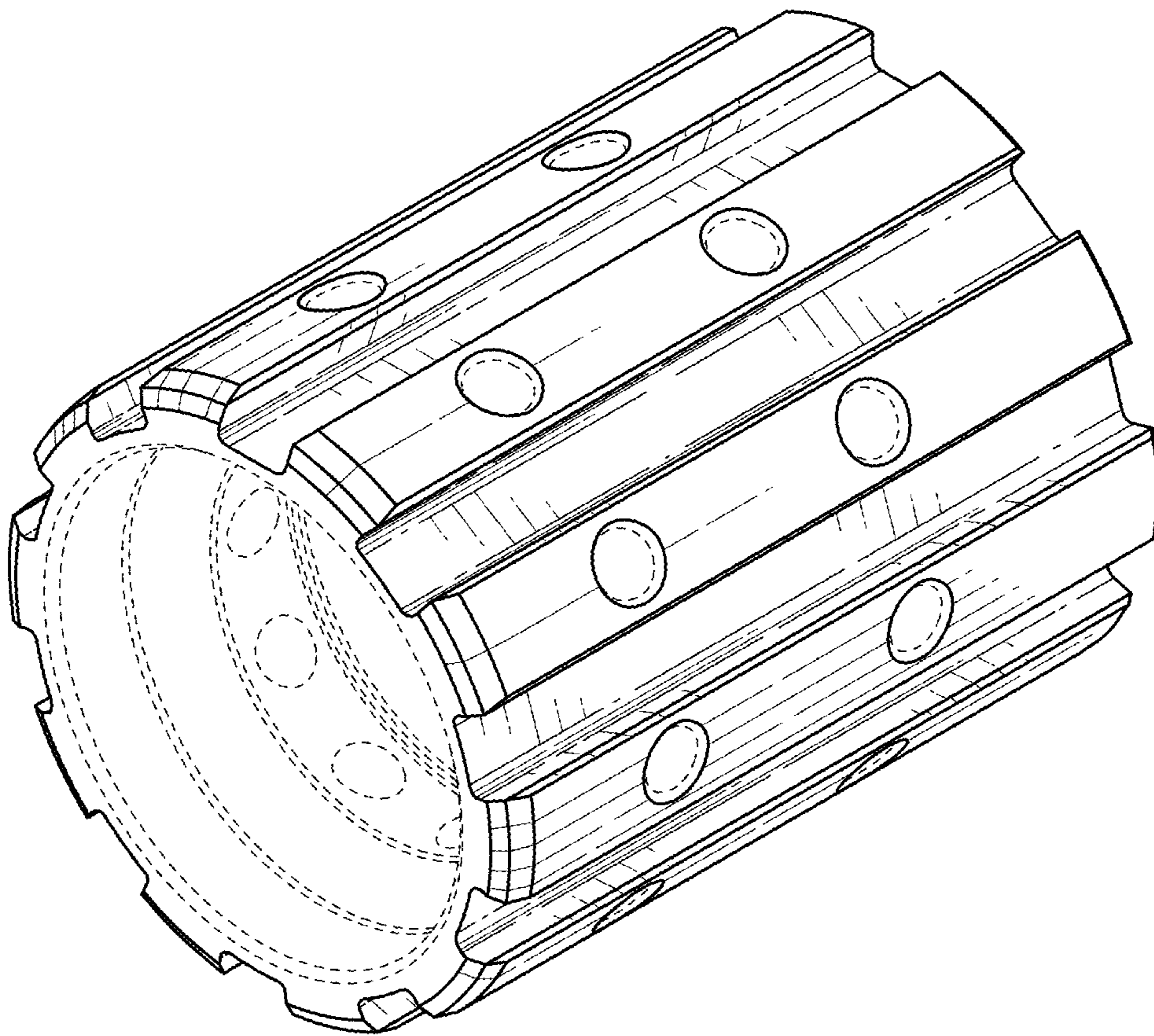


FIG. 15

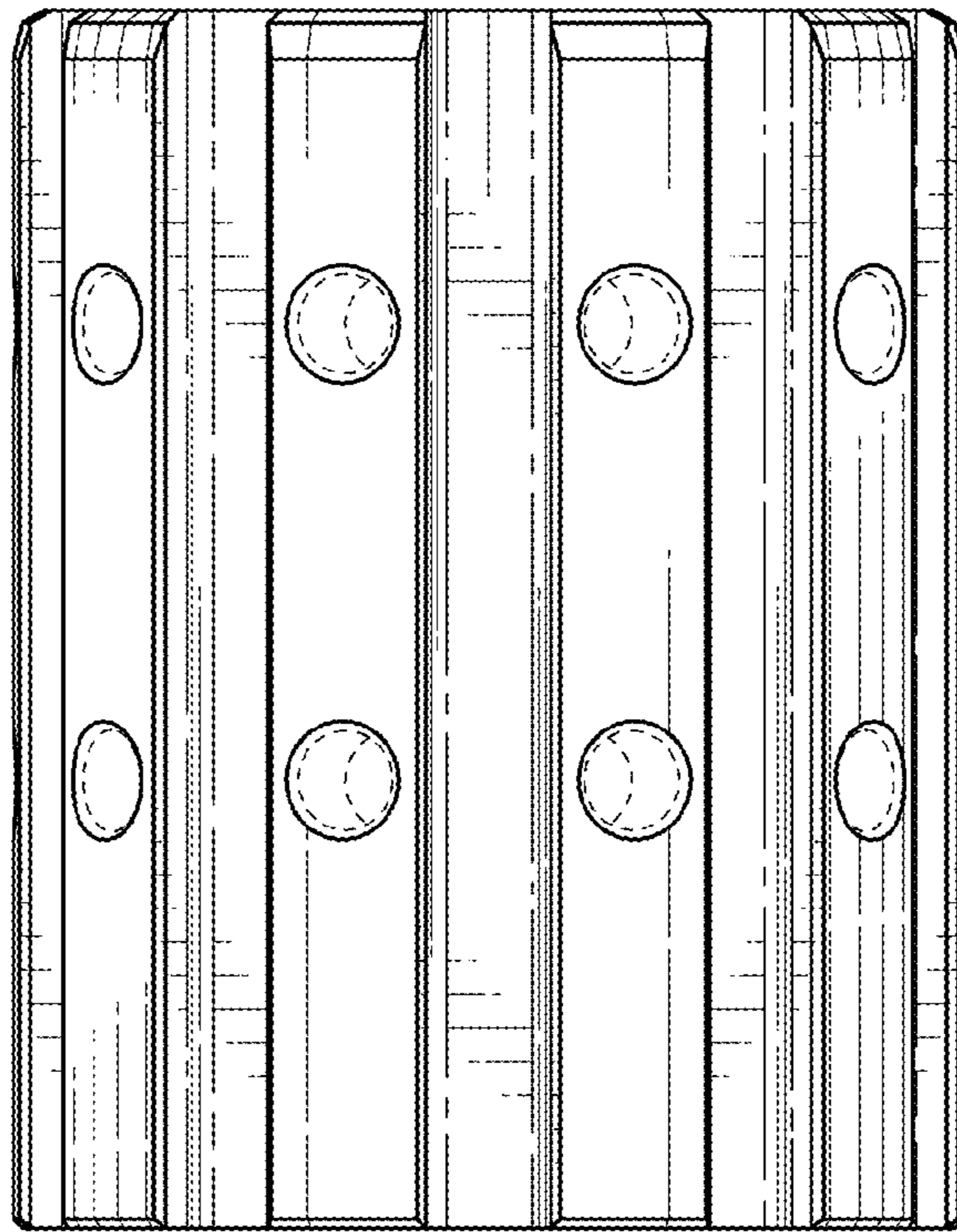


FIG. 16

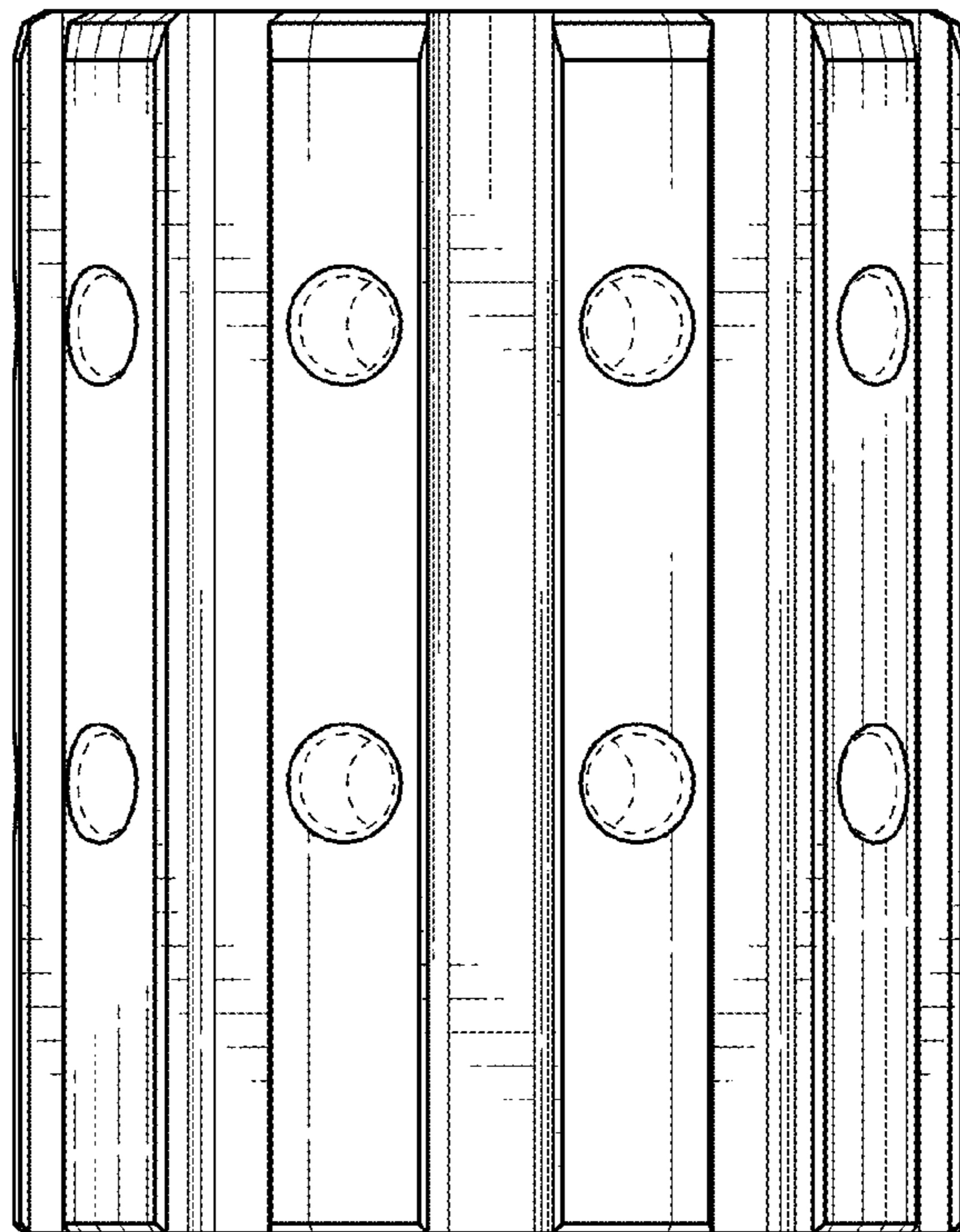


FIG. 17

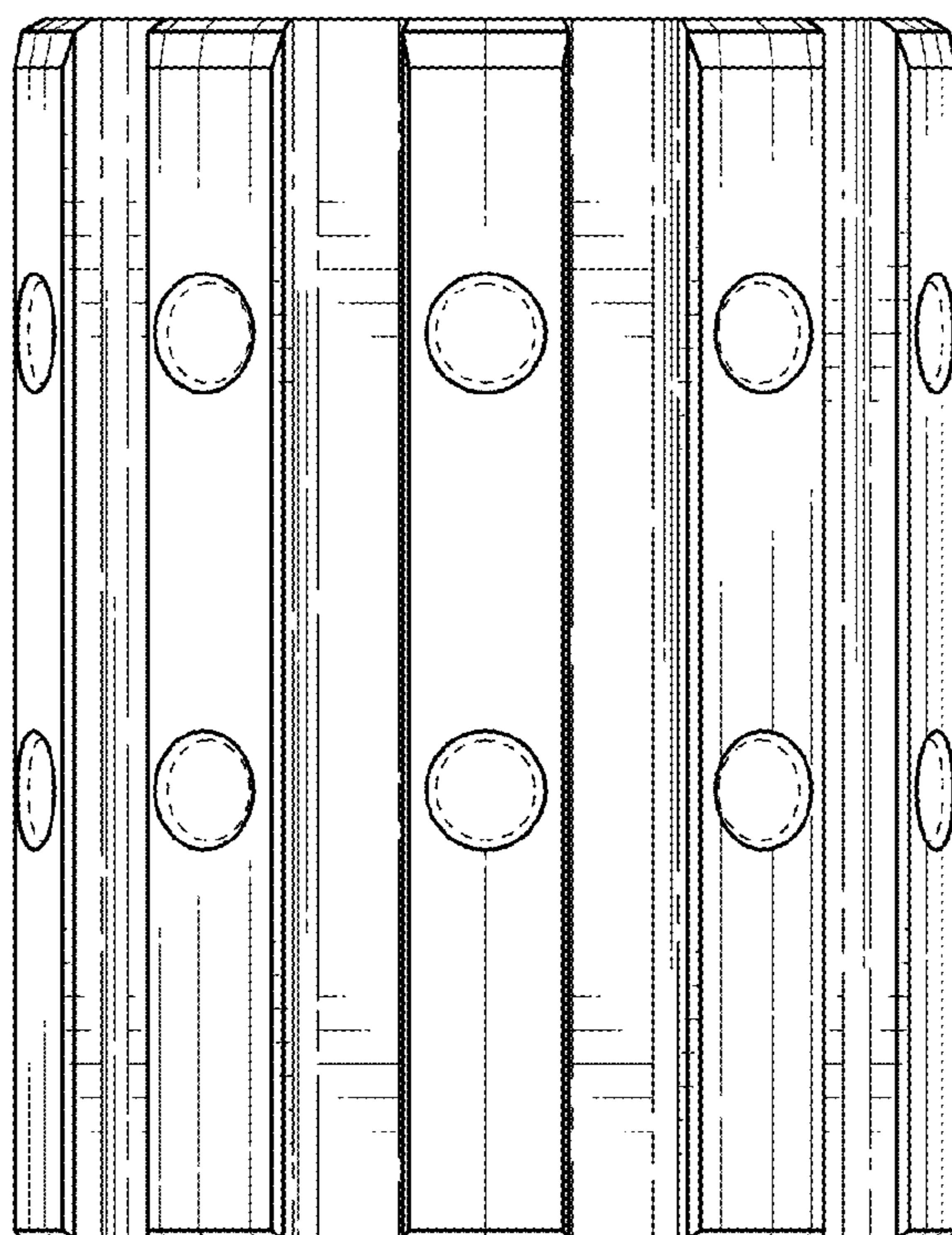


FIG. 18

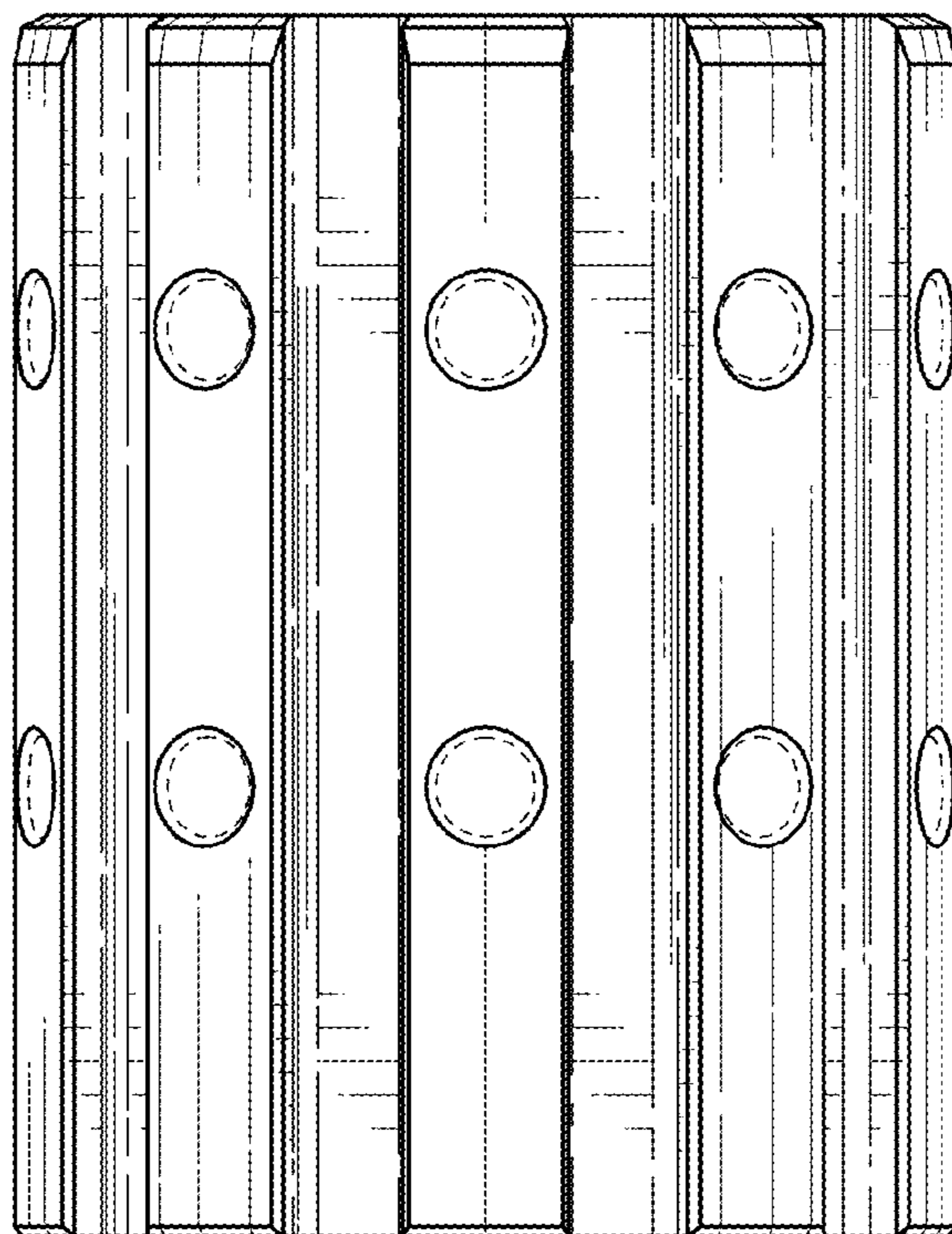


FIG. 19

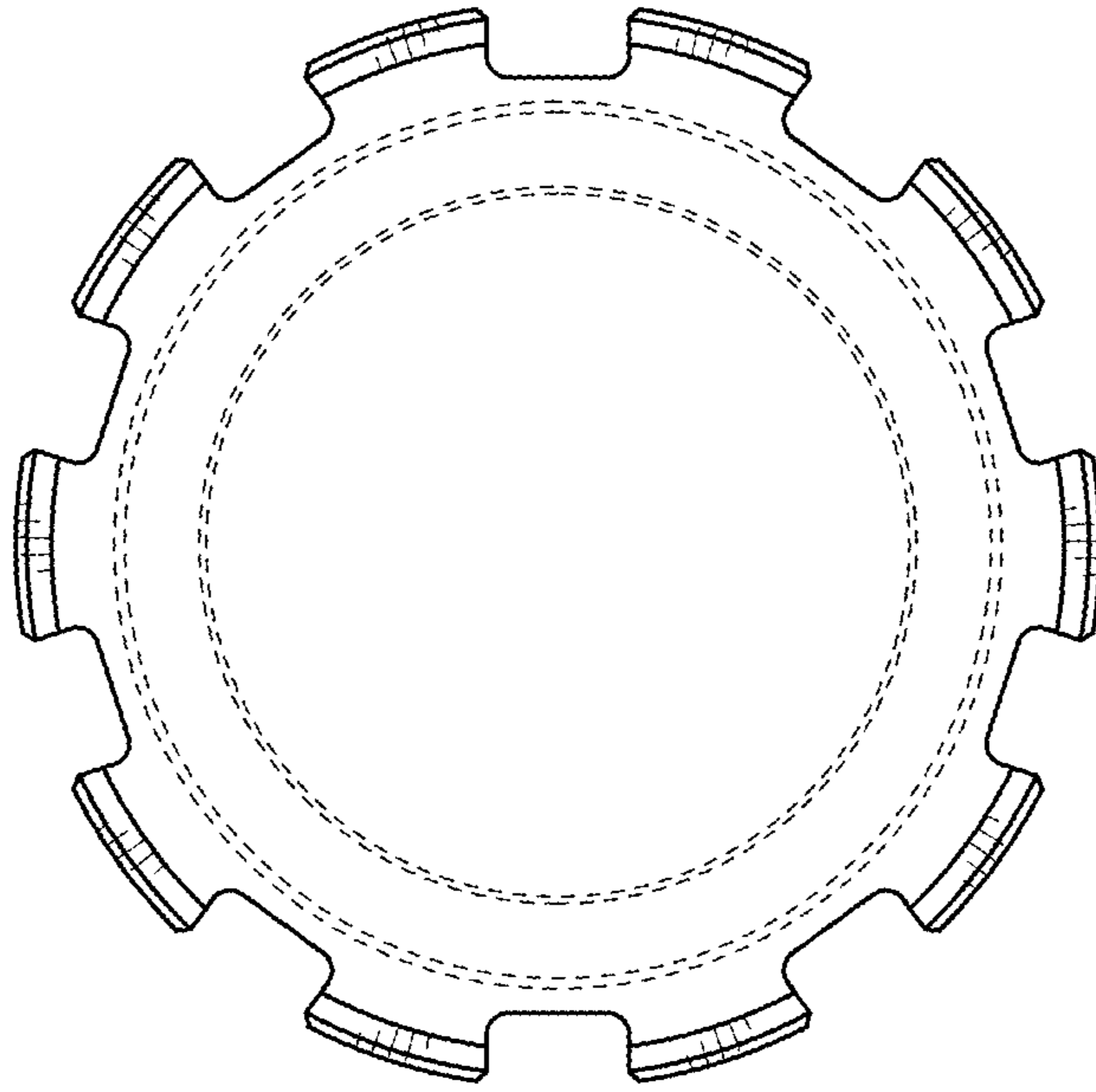


FIG. 20

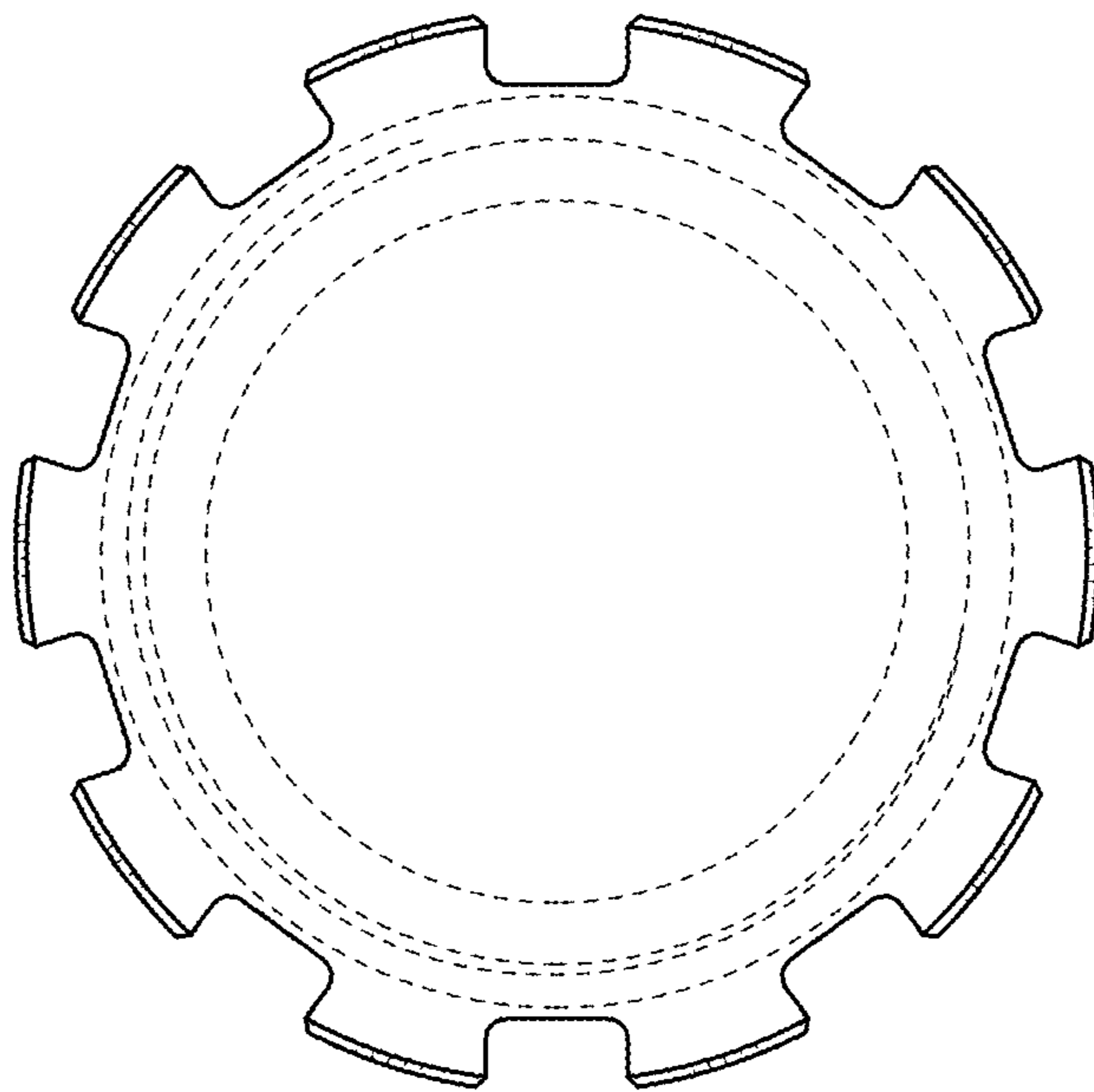


FIG. 21