



US00D734827S

(12) **United States Design Patent**
Pearson

(10) **Patent No.:** **US D734,827 S**
(45) **Date of Patent:** **** Jul. 21, 2015**

(54) **MOUNTING PLATFORM FOR A WIN 94 RIFLE**

(71) Applicant: **Basil Pearson**, Canon City, CO (US)

(72) Inventor: **Basil Pearson**, Canon City, CO (US)

(**) Term: **14 Years**

(21) Appl. No.: **29/421,830**

(22) Filed: **Oct. 1, 2012**

(51) **LOC (10) Cl.** **22-01**

(52) **U.S. Cl.**
USPC **D22/108**

(58) **Field of Classification Search**
USPC D22/100, 108–110, 199; 248/201,
248/205.1; 42/11, 72, 90, 85, 71.01, 75.02,
42/106, 113–114, 124–125, 127–128

See application file for complete search history.

(56) **References Cited**

U.S. PATENT DOCUMENTS

7,694,450	B2 *	4/2010	Keng	42/124
8,146,283	B2 *	4/2012	Genes et al.	42/90
8,336,244	B2 *	12/2012	Peterson et al.	42/90
8,522,469	B2 *	9/2013	Baker	42/90
2011/0100203	A1 *	5/2011	Genes et al.	89/9
2012/0106170	A1 *	5/2012	Matthews et al.	362/311.06
2012/0311910	A1 *	12/2012	Mironichev et al.	42/90

* cited by examiner

Primary Examiner — Michael A Pratt

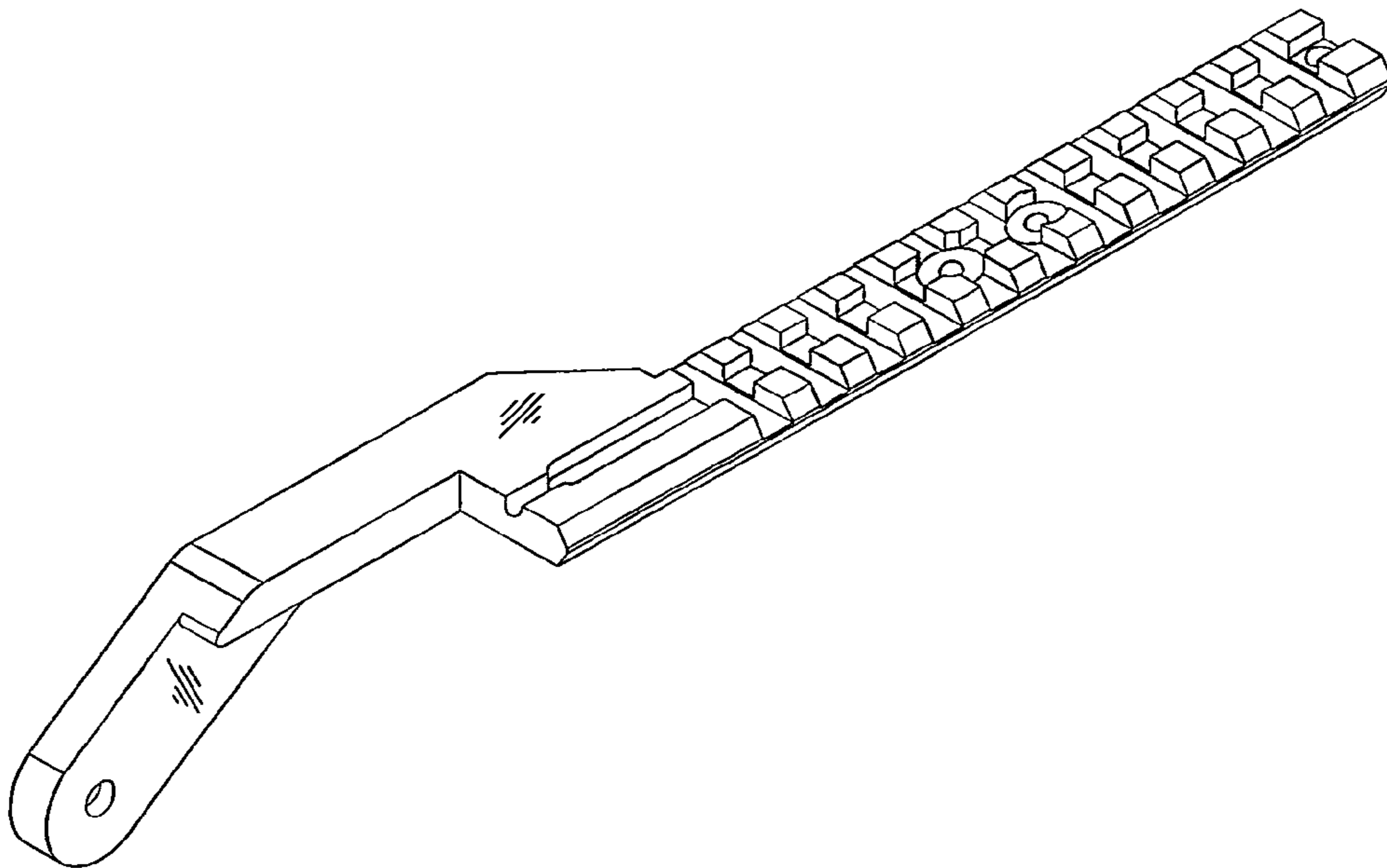
(57) **CLAIM**

The ornamental design for a mounting platform for a win 94 rifle, as shown and described.

DESCRIPTION

FIG. 1 is a perspective view of a mounting platform for a win 94 rifle showing my new design;
FIG. 2 is a perspective front elevational view thereof;
FIG. 3 is a perspective right side elevational view thereof;
FIG. 4 is a perspective left side elevational view thereof; and,
FIG. 5 is a perspective top plan view thereof.

1 Claim, 5 Drawing Sheets



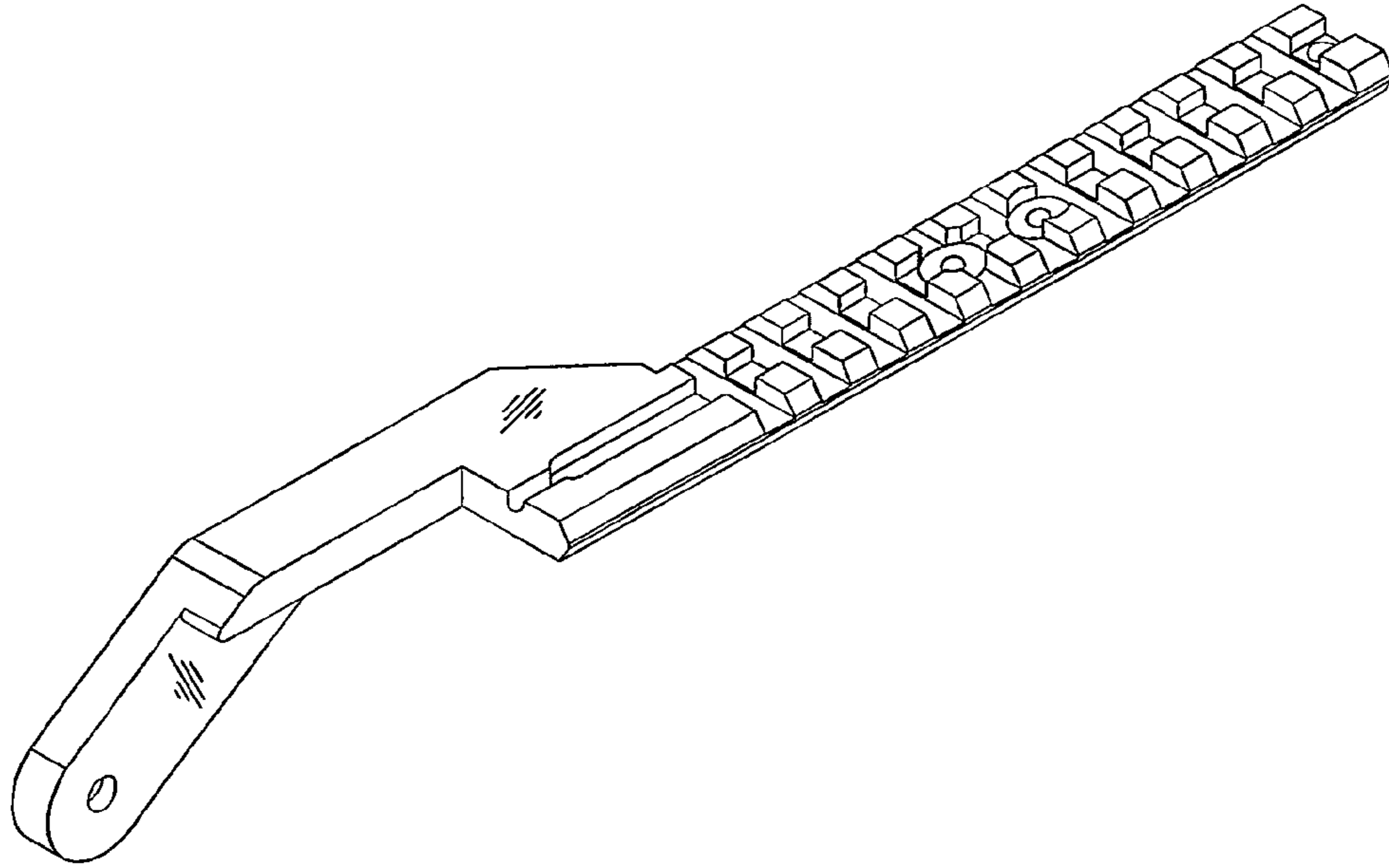


FIG 1

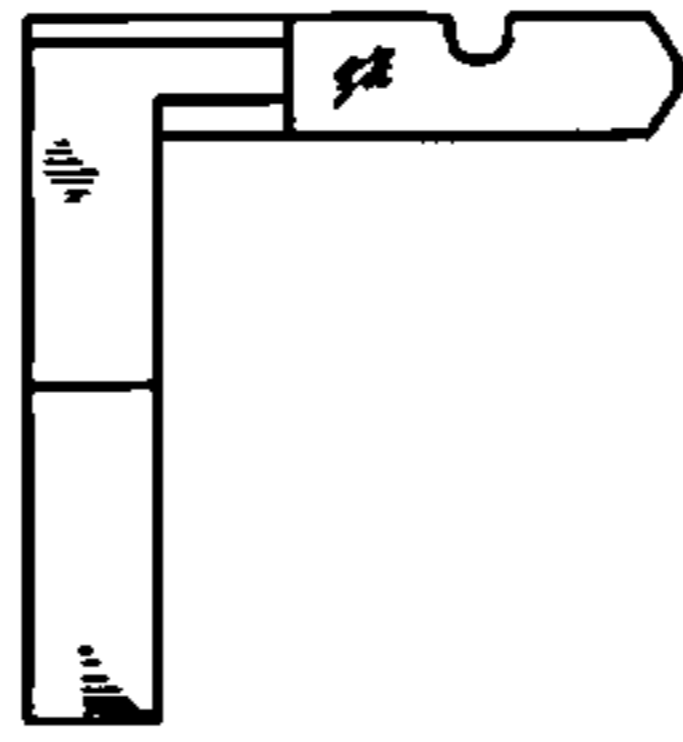


FIG 2

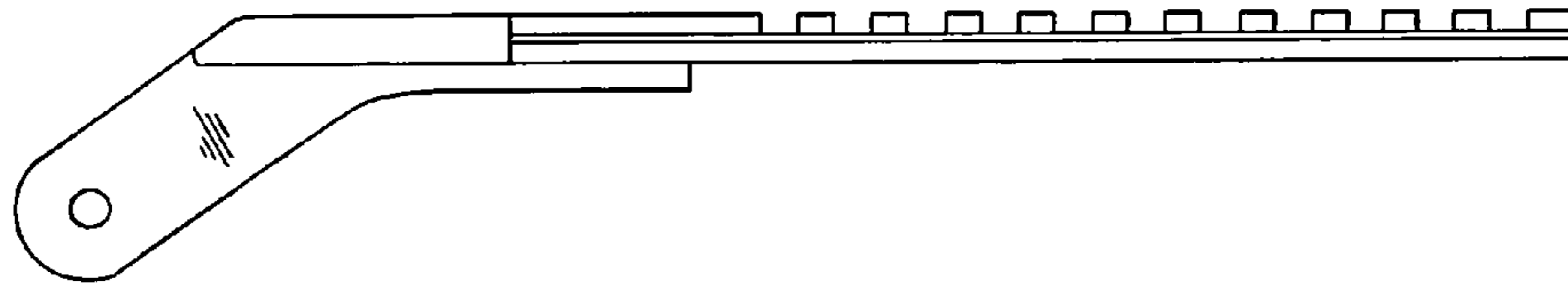


FIG 3

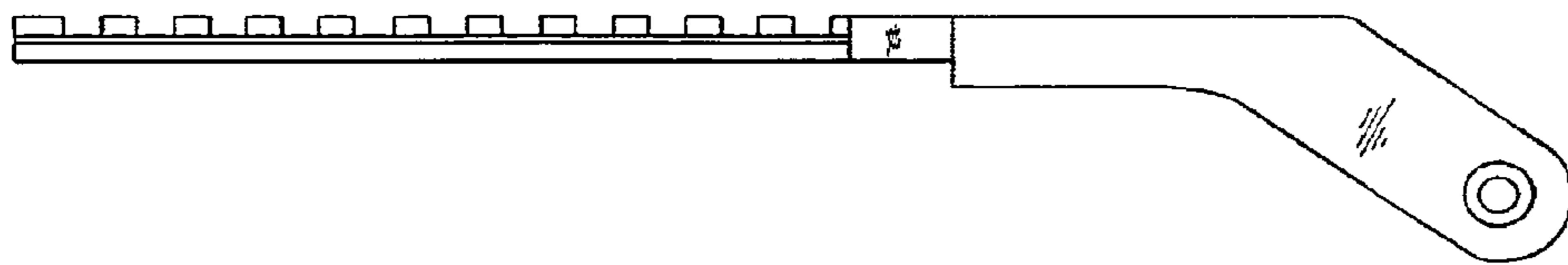


FIG 4

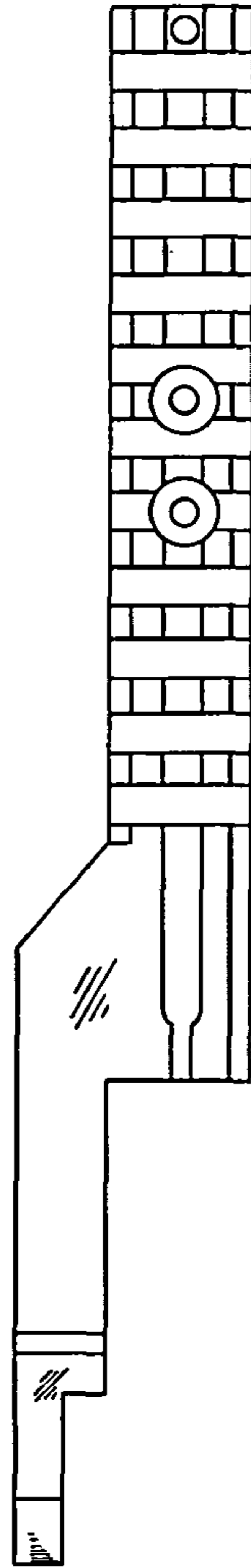


FIG 5