



US00D734825S

(12) **United States Design Patent**
Kessler

(10) **Patent No.:** **US D734,825 S**
(45) **Date of Patent:** **** Jul. 21, 2015**

(54) **COLUMN SEGMENT**

D611,332 S * 3/2010 Tedesco et al. D8/380
D621,883 S * 8/2010 Jou D21/385
2010/0011705 A1* 1/2010 Kessler 52/852

(71) Applicant: **Lasertron, Inc.**, Amherst, NY (US)

* cited by examiner

(72) Inventor: **James J. Kessler**, Winter Garden, FL (US)

Primary Examiner — Mitchell Siegel

(74) *Attorney, Agent, or Firm* — Simpson & Simpson, PLLC

(73) Assignee: **Lasertron, Inc.**, Amherst, NY (US)

(57) **CLAIM**

The ornamental design for an column segment, as shown and described.

(**) Term: **14 Years**

DESCRIPTION

(21) Appl. No.: **29/471,768**

FIG. 1 is a top perspective view of the column segment of the present invention;

(22) Filed: **Nov. 5, 2013**

FIG. 2 is a bottom perspective view of the column segment shown in FIG. 1;

(51) **LOC (10) Cl.** **21-02**

(52) **U.S. Cl.**

USPC **D21/811**

(58) **Field of Classification Search**

USPC D21/811, 814; D8/380, 382, 384

CPC E04B 9/10; A47C 3/12; E04C 3/36

See application file for complete search history.

FIG. 3 is a left side elevational view of the invention shown in FIG. 1;

FIG. 4 is a right side elevational view of the invention shown in FIG. 1;

FIG. 5 is a top plan view of the invention shown in FIG. 1;

FIG. 6 is a bottom plan view of the invention shown in FIG. 1;

FIG. 7 is a front elevational view of the invention shown in FIG. 1; and,

FIG. 8 is a rear elevational view of the invention shown in FIG. 1.

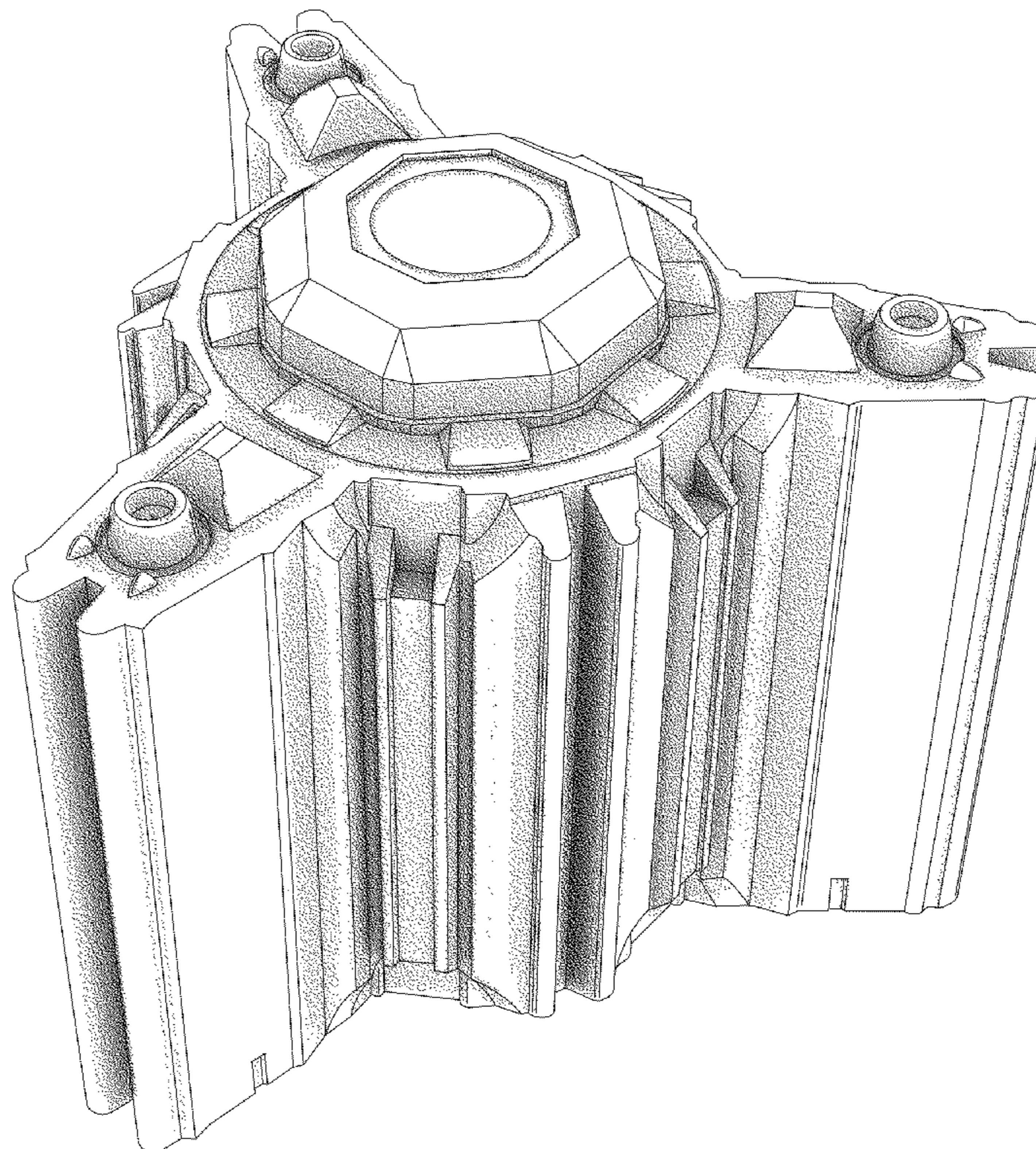
The invention is an column segment that is substantially Y-shaped and operatively arranged such that when at least two arena parts are secured to one another they form obstacles for use in laser tag arenas and the like.

(56) **References Cited**

U.S. PATENT DOCUMENTS

3,715,136	A *	2/1973	Yoshida	52/285.2
5,291,700	A *	3/1994	Chew	52/36.1
D571,644	S *	6/2008	Ilang	D8/382
D598,735	S *	8/2009	Wakasugi et al.	D8/382
D598,736	S *	8/2009	Wakasugi et al.	D8/382
D599,649	S *	9/2009	Wakasugi et al.	D8/382

1 Claim, 8 Drawing Sheets



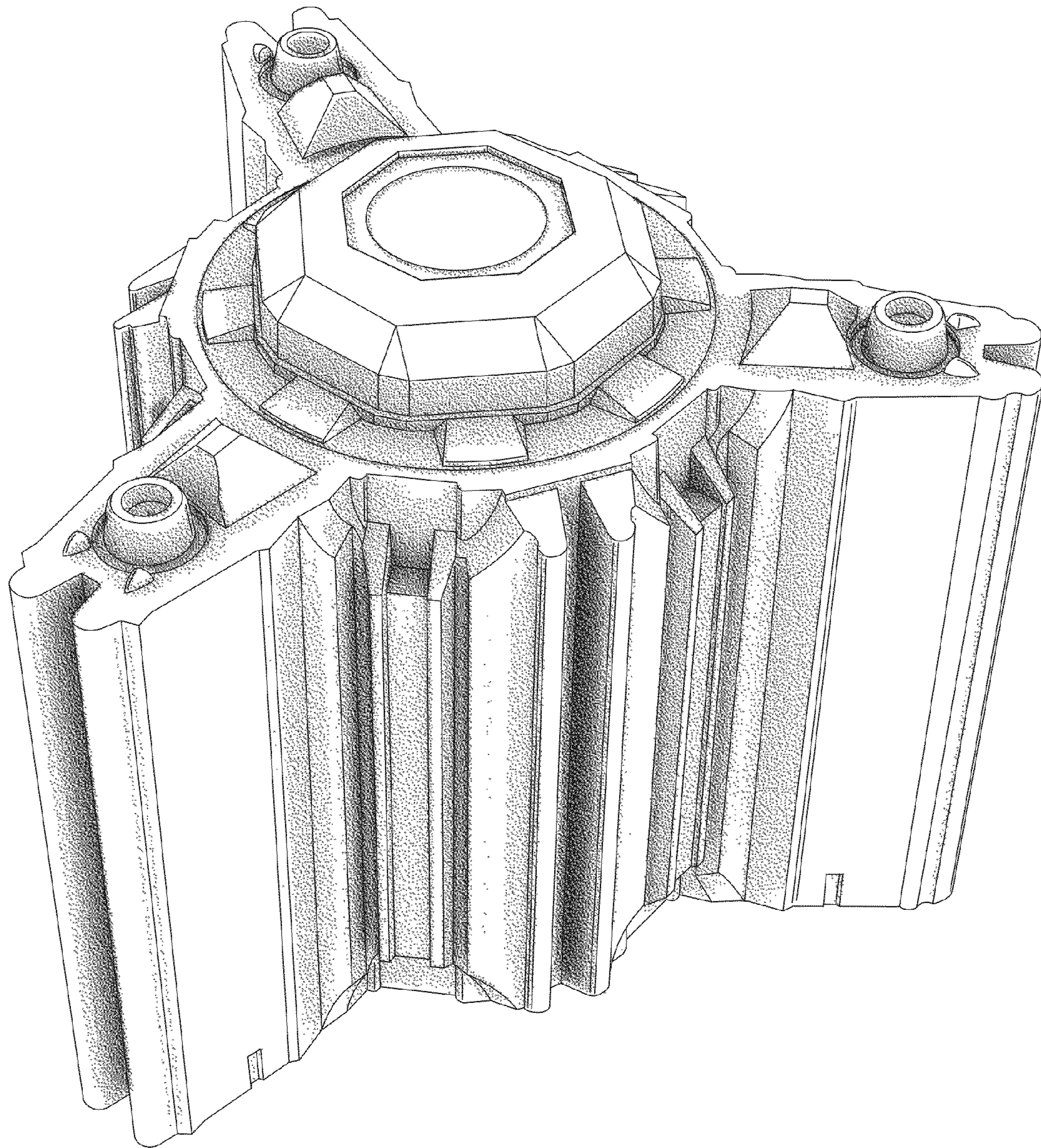


Fig. 1

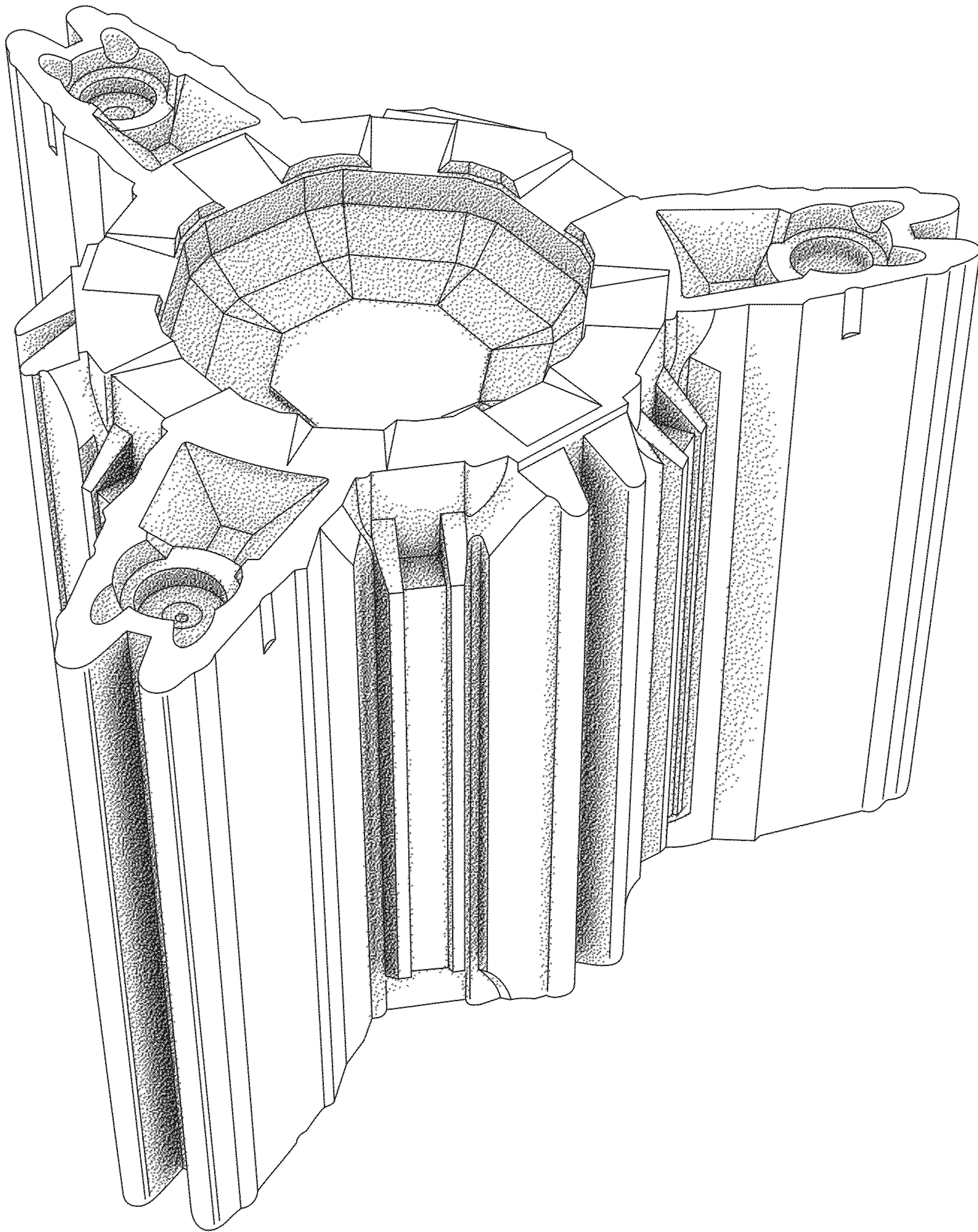


Fig. 2

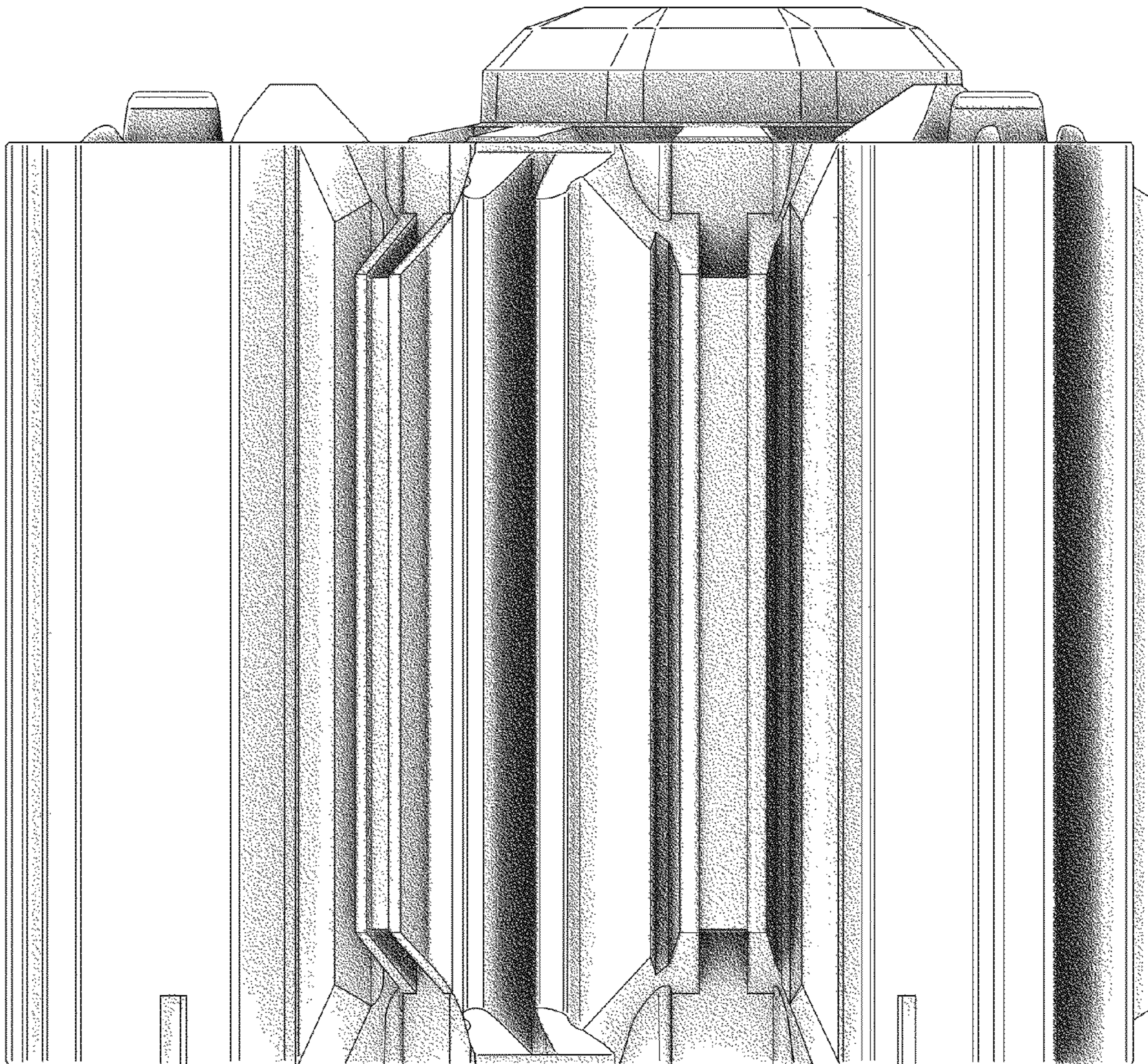


Fig. 3

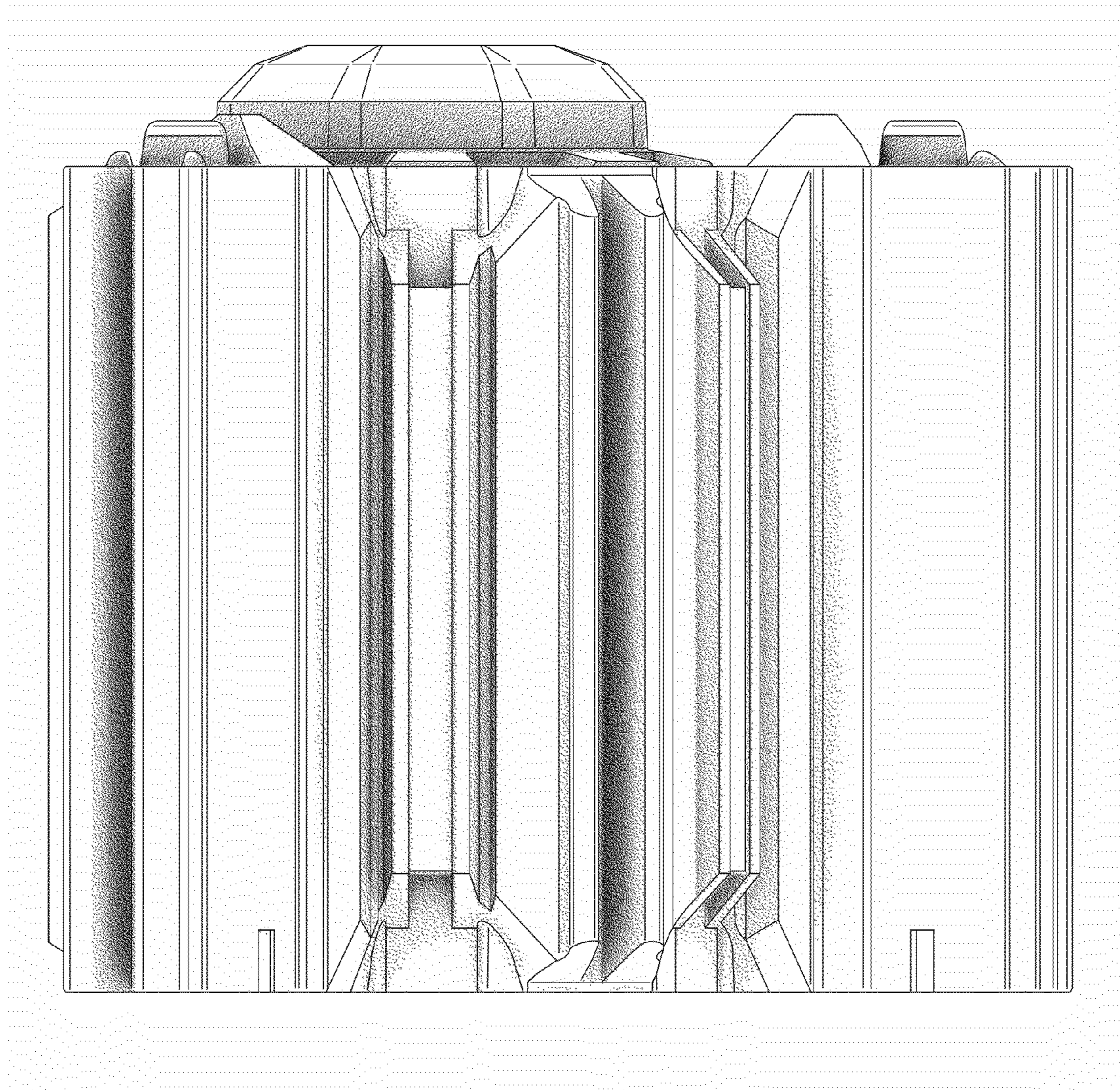


Fig. 4

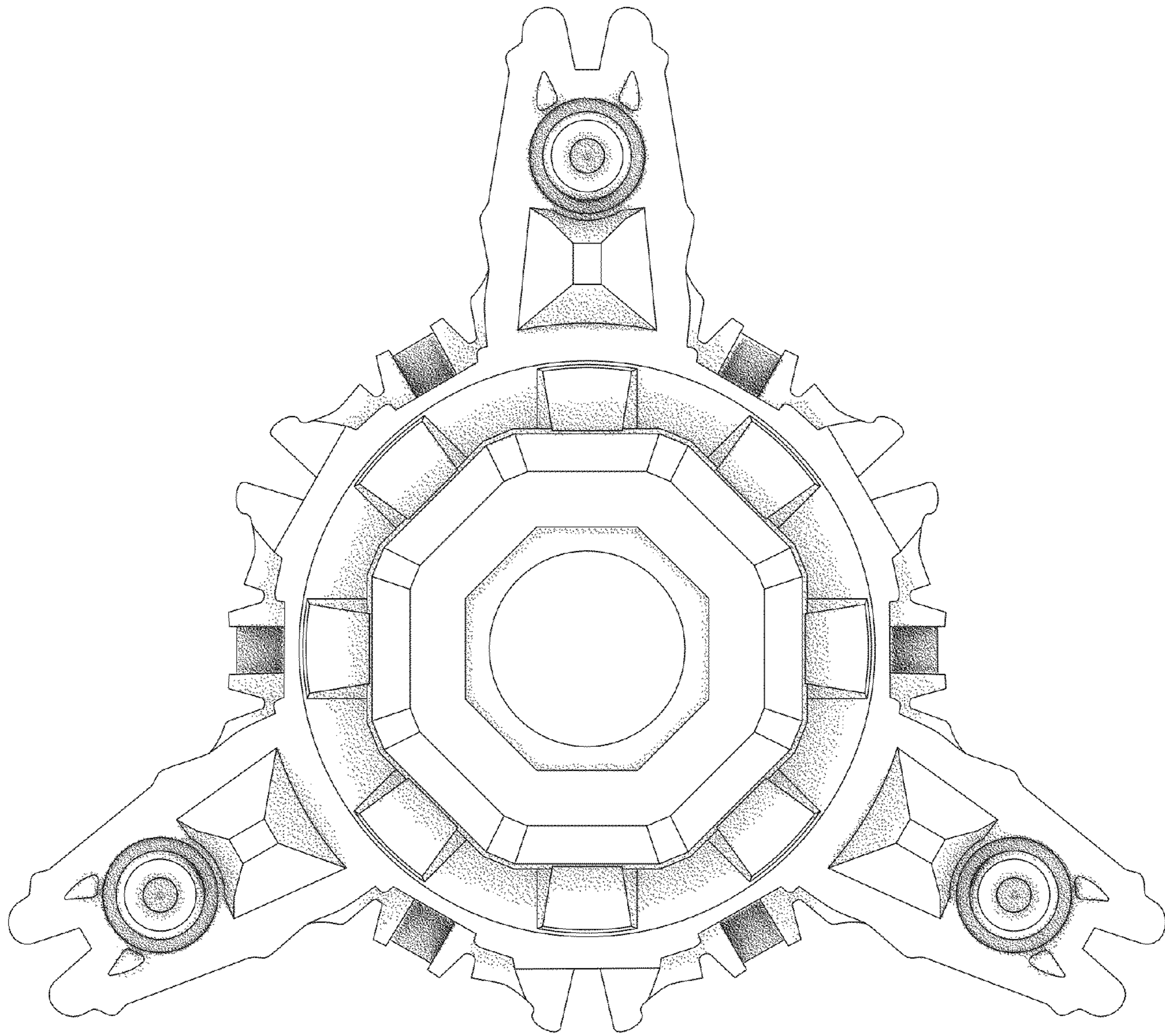


Fig. 5

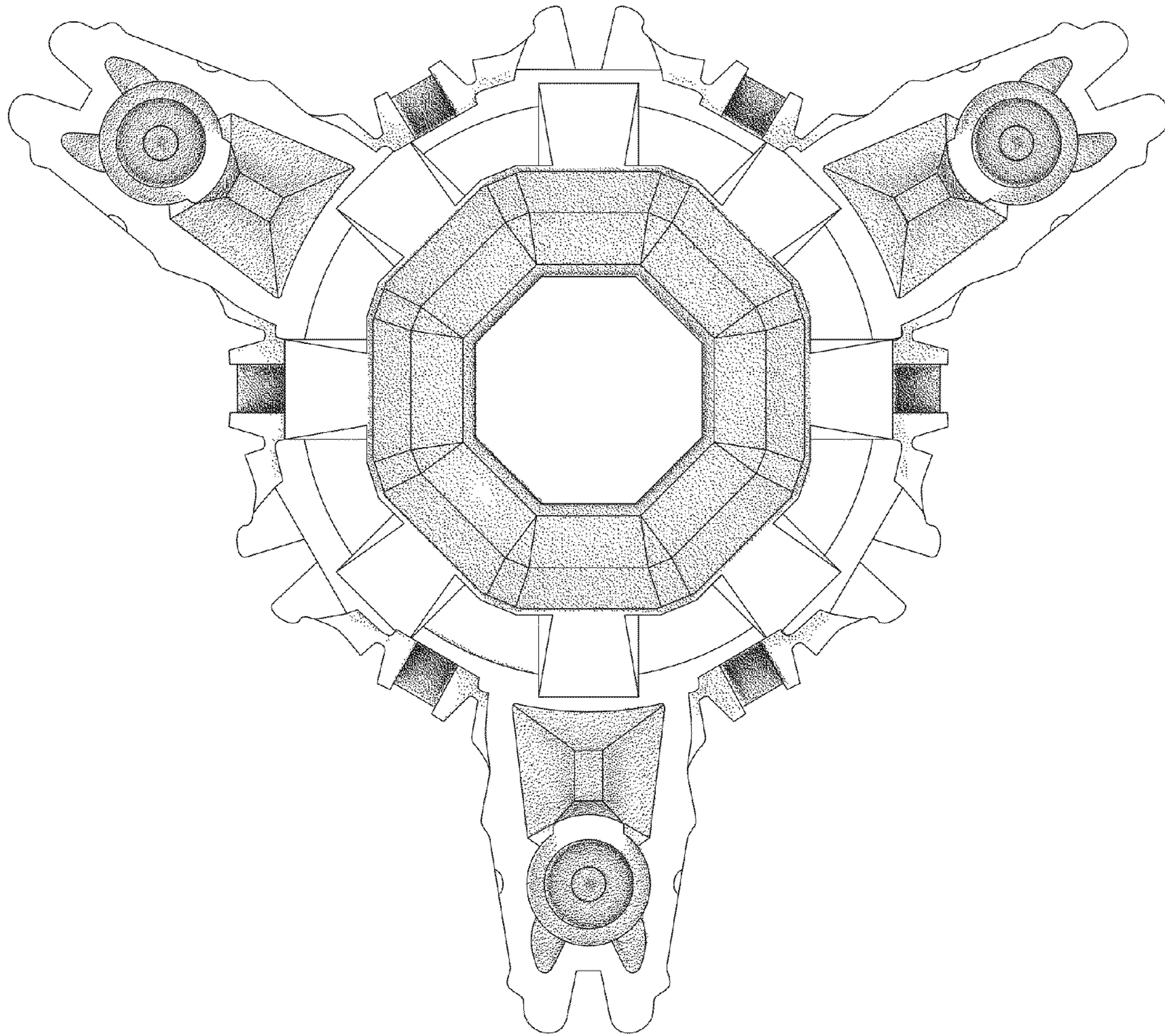


Fig. 6

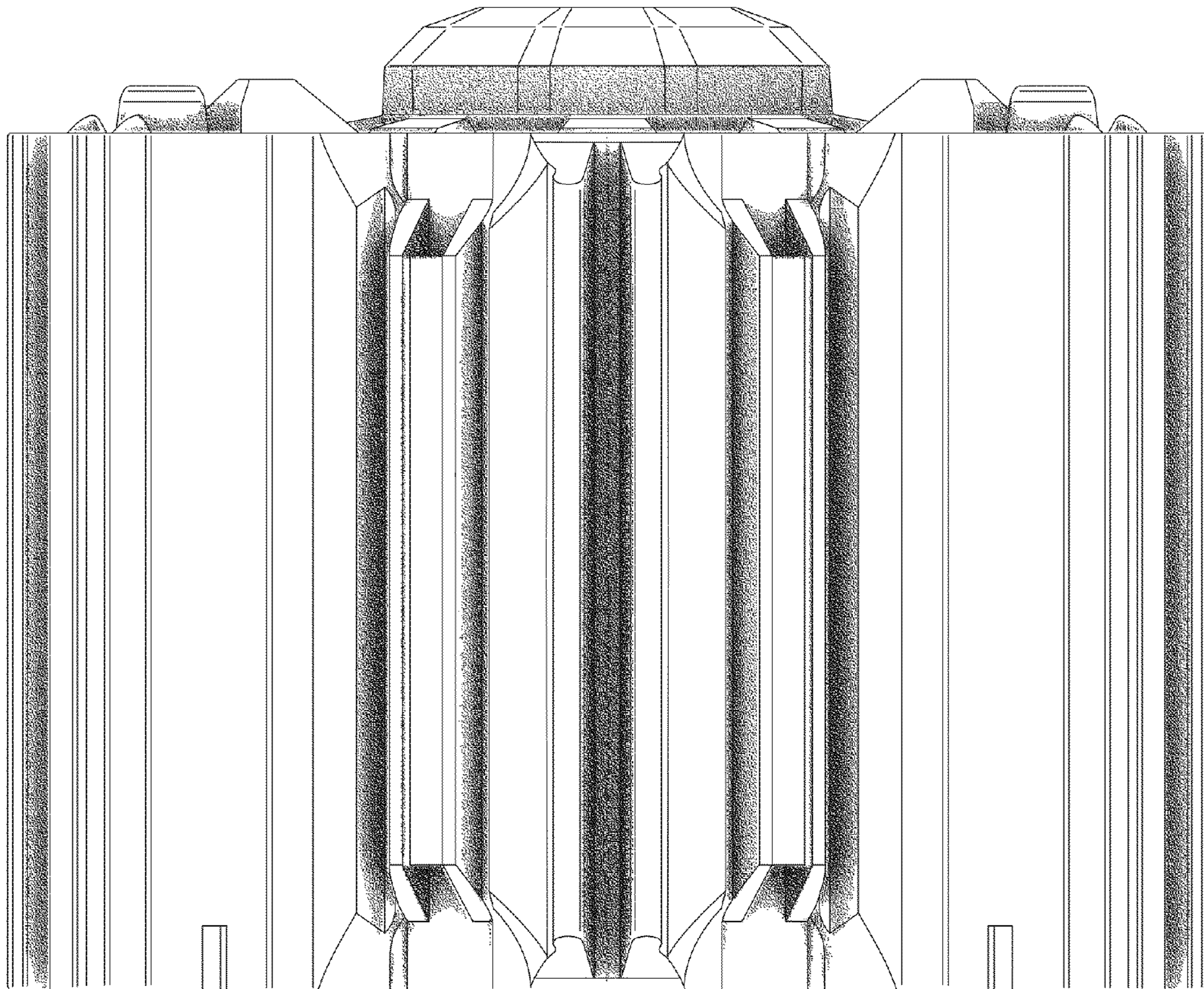


Fig. 7

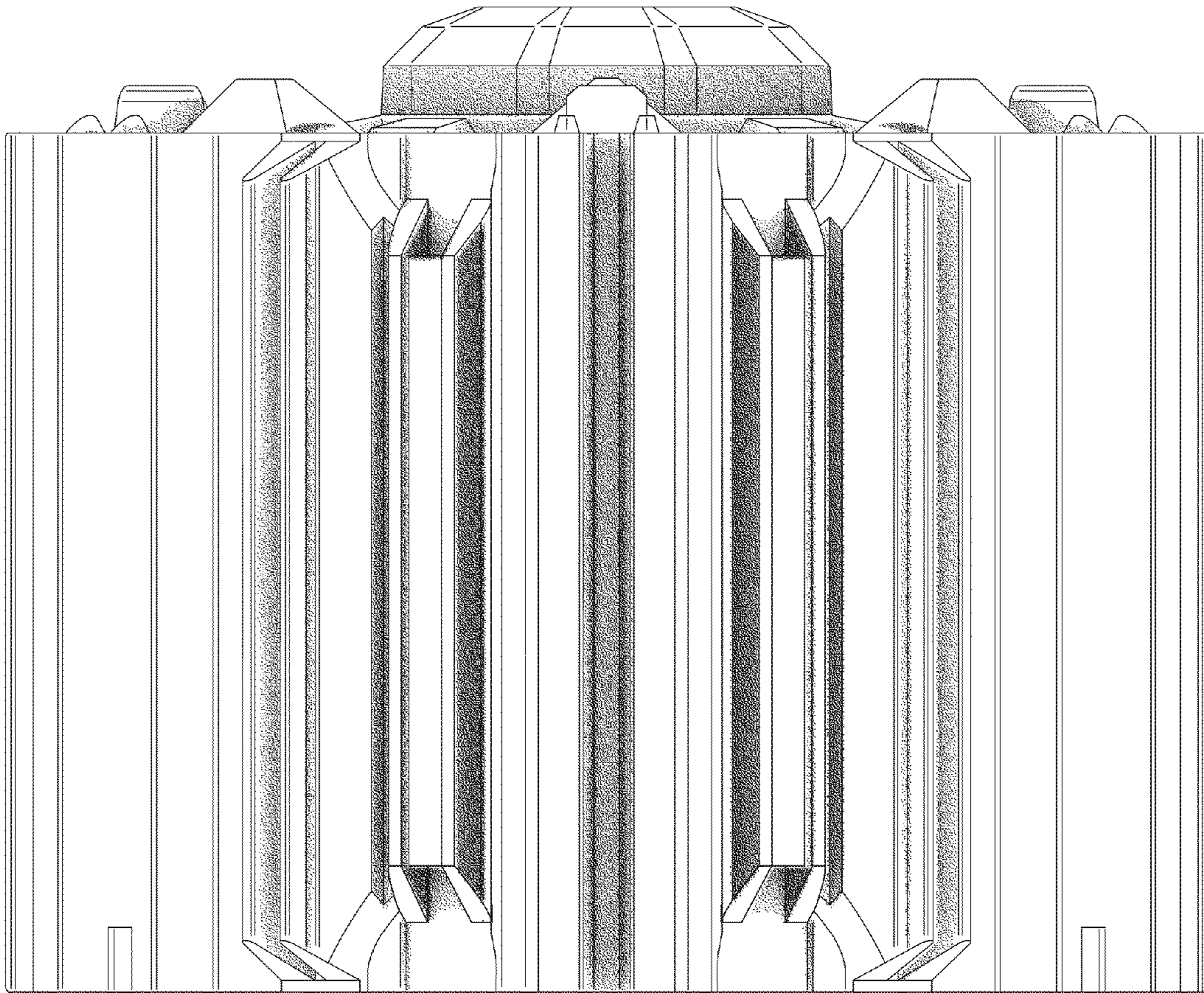


Fig. 8