



US00D734824S

(12) **United States Design Patent**
Giroux

(10) **Patent No.:** **US D734,824 S**
(45) **Date of Patent:** **** Jul. 21, 2015**

(54) **GYMNAST HAND STAND**

(71) Applicant: **Matthew H. Giroux**, Norton, MA (US)

(72) Inventor: **Matthew H. Giroux**, Norton, MA (US)

(**) Term: **14 Years**

(21) Appl. No.: **29/501,278**

(22) Filed: **Sep. 3, 2014**

(51) **LOC (10) Cl.** **21-02**

(52) **U.S. Cl.**
USPC **D21/797**

(58) **Field of Classification Search**
USPC D7/698, 699, 553.4, 555; D6/374, 716,
D6/375, 582, 601, 354, 406.3, 358;
D21/688, 686, 662, 671, 680, 682, 694,
D21/695, 690, 698, 699, 797, 369;
D24/190, 168; D29/120.1; D25/155;
D19/113, 26, 32; D3/203.2; D2/897,
D2/925, 950, 947; D26/37; 99/472, 467;
269/14, 289 R, 13, 15; 156/250, 256,
156/272.8, 308.2, 330, 60; 206/216;
224/257; 5/420; 428/80

See application file for complete search history.

4,426,076 A 1/1984 Palmer
4,739,986 A * 4/1988 Kucharik et al. 482/79
4,968,025 A 11/1990 Edkins
5,352,173 A 10/1994 McLaughlin
5,509,871 A * 4/1996 Giovanni 482/51
D519,289 S * 4/2006 Black-Perkins D6/358
7,115,079 B2 10/2006 Yu
D607,711 S * 1/2010 Adams et al. D8/354
7,645,221 B1 1/2010 Curry
8,105,219 B1 1/2012 Sloan et al.
8,317,664 B2 11/2012 Gorsuch et al.
8,343,022 B1 1/2013 Sloan et al.
D675,813 S * 2/2013 Hayashi D2/950
D684,343 S * 6/2013 Sundberg D2/897
D709,688 S * 7/2014 Farco et al. D3/203.2
8,998,784 B1 * 4/2015 Sloan et al. 482/146
2009/0227426 A1 * 9/2009 Dubar 482/34
2013/0274076 A1 10/2013 Smith
2013/0316886 A1 11/2013 Lynch et al.

* cited by examiner

Primary Examiner — Robert M Spear
Assistant Examiner — Ryan Harvey
(74) *Attorney, Agent, or Firm* — John P. McGonagle

(57) **CLAIM**
The ornamental design for a gymnast hand stand, as shown and described.

DESCRIPTION

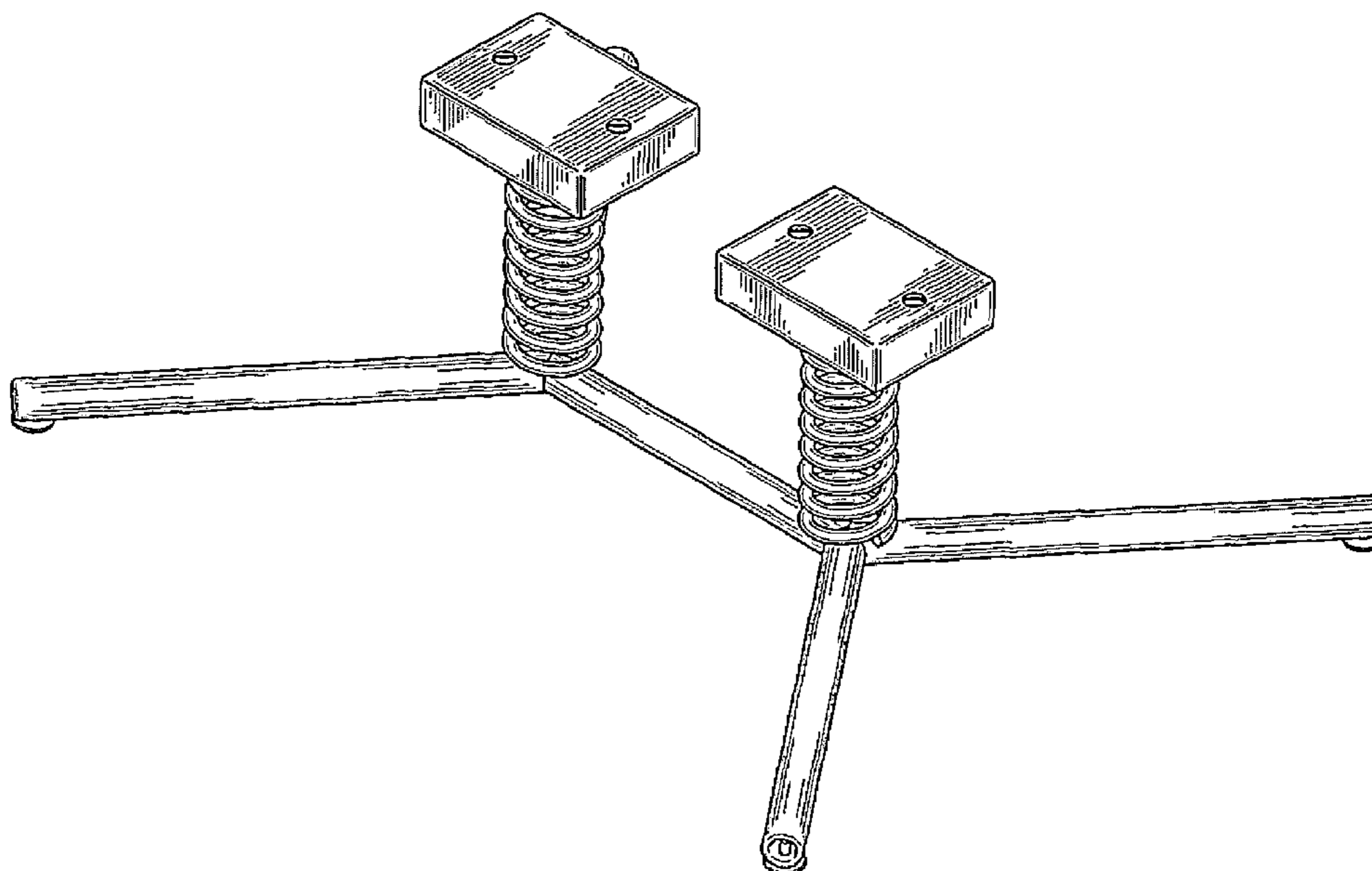
FIG. 1 is a top perspective view of a gymnast hand stand showing my new design;
FIG. 2 is a top view thereof;
FIG. 3 is a front view thereof;
FIG. 4 is a rear view thereof;
FIG. 5 is a bottom view thereof;
FIG. 6 is a left side view thereof; and,
FIG. 7 is a right side view thereof.

1 Claim, 4 Drawing Sheets

(56) **References Cited**

U.S. PATENT DOCUMENTS

1,669,499 A 5/1928 Titus
2,494,094 A 1/1950 Horstman
2,808,807 A 10/1957 Winton et al.
3,114,545 A 12/1963 Horn
D198,801 S 8/1964 Mitchell
D198,923 S 8/1964 Mirchell
D199,984 S 1/1965 Mitchell
3,929,329 A * 12/1975 Rivera 482/71
D265,224 S * 6/1982 Bollen et al. D21/832



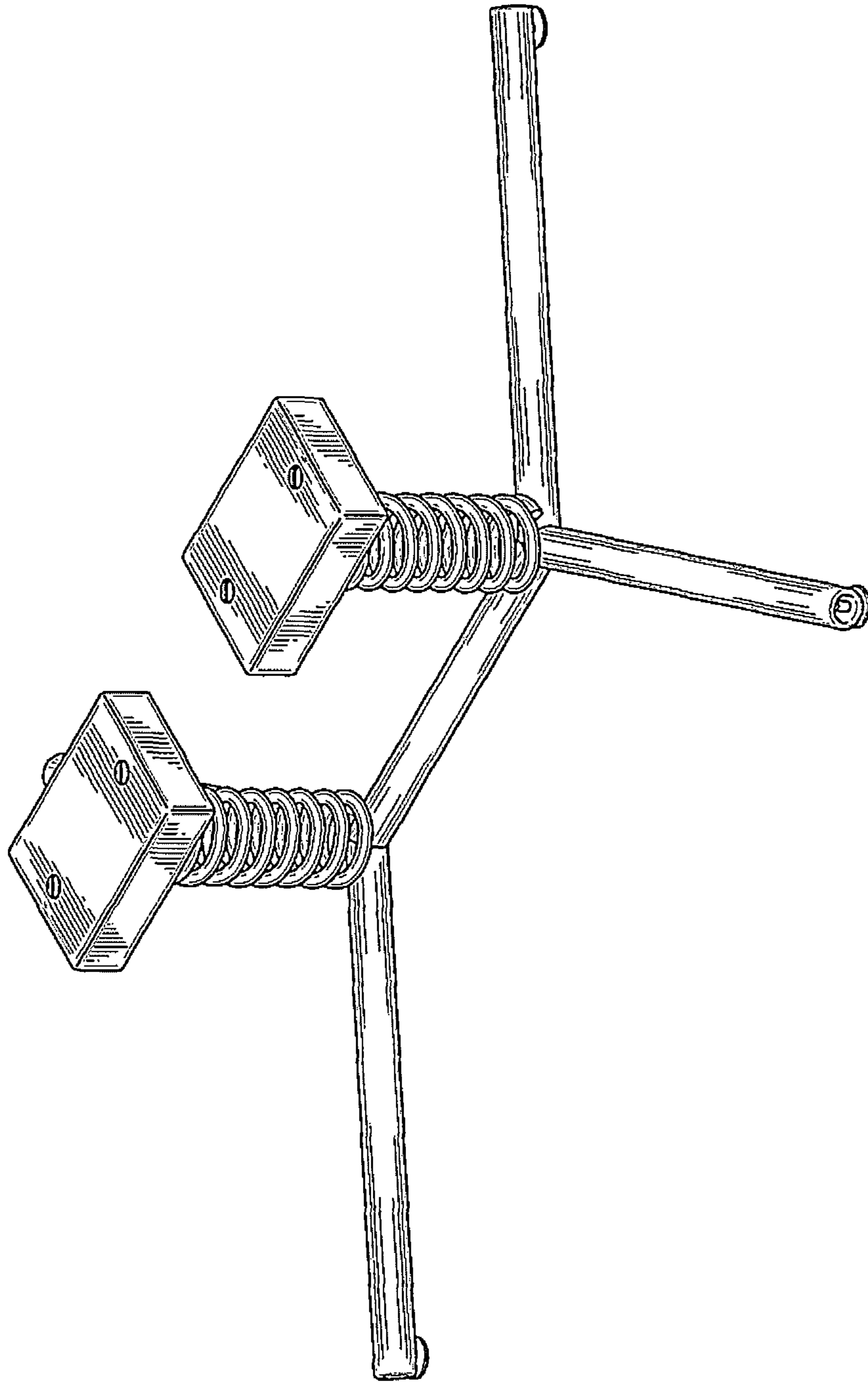


FIG. 1

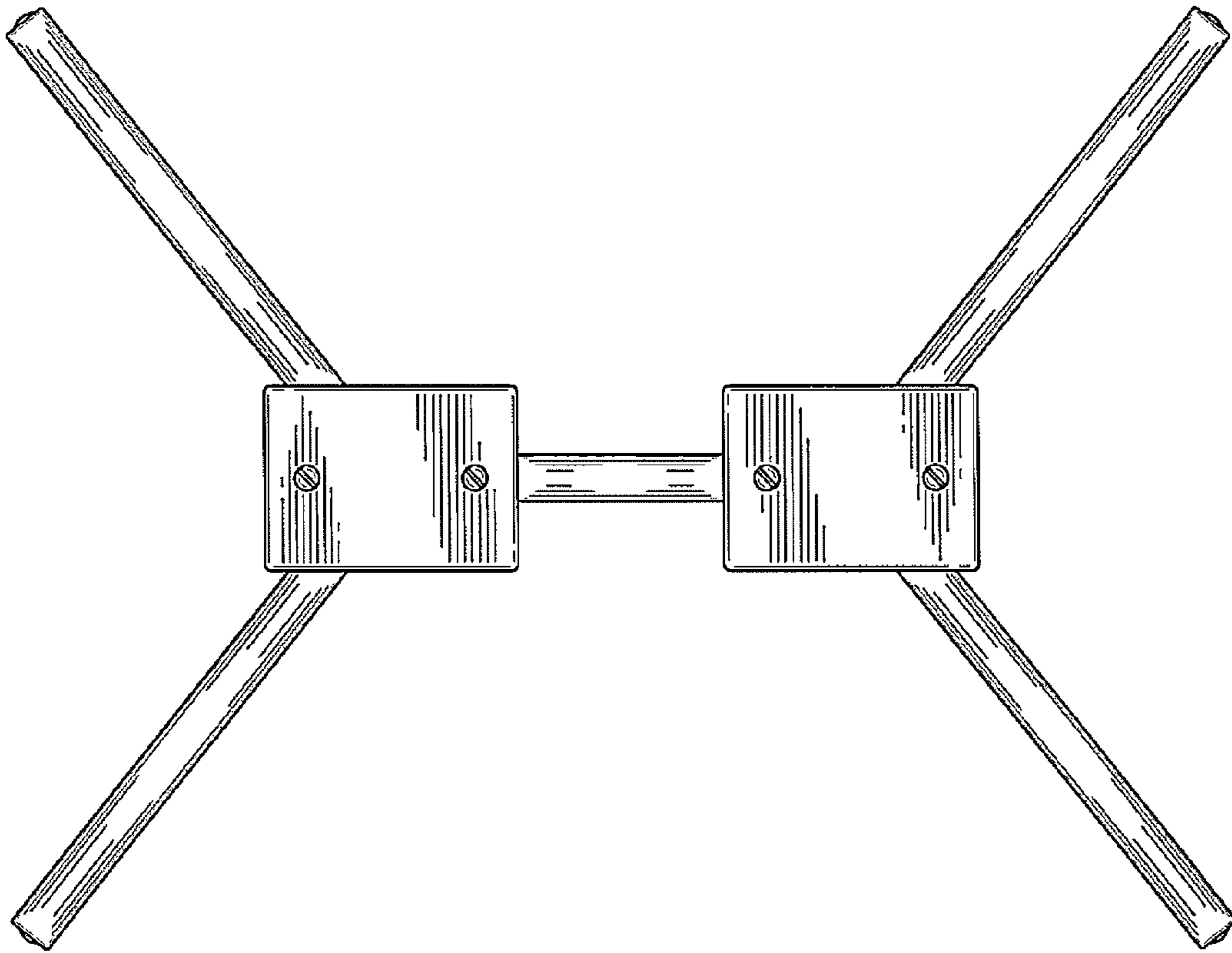


FIG. 2

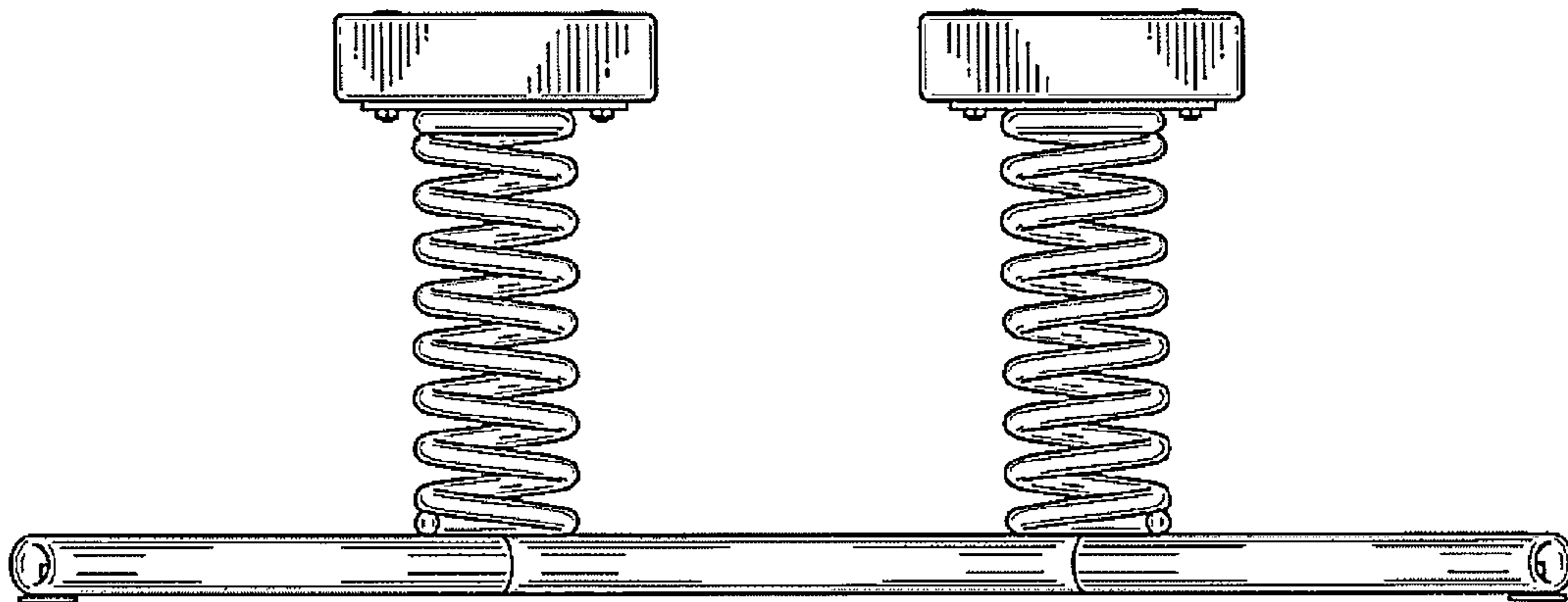


FIG. 3

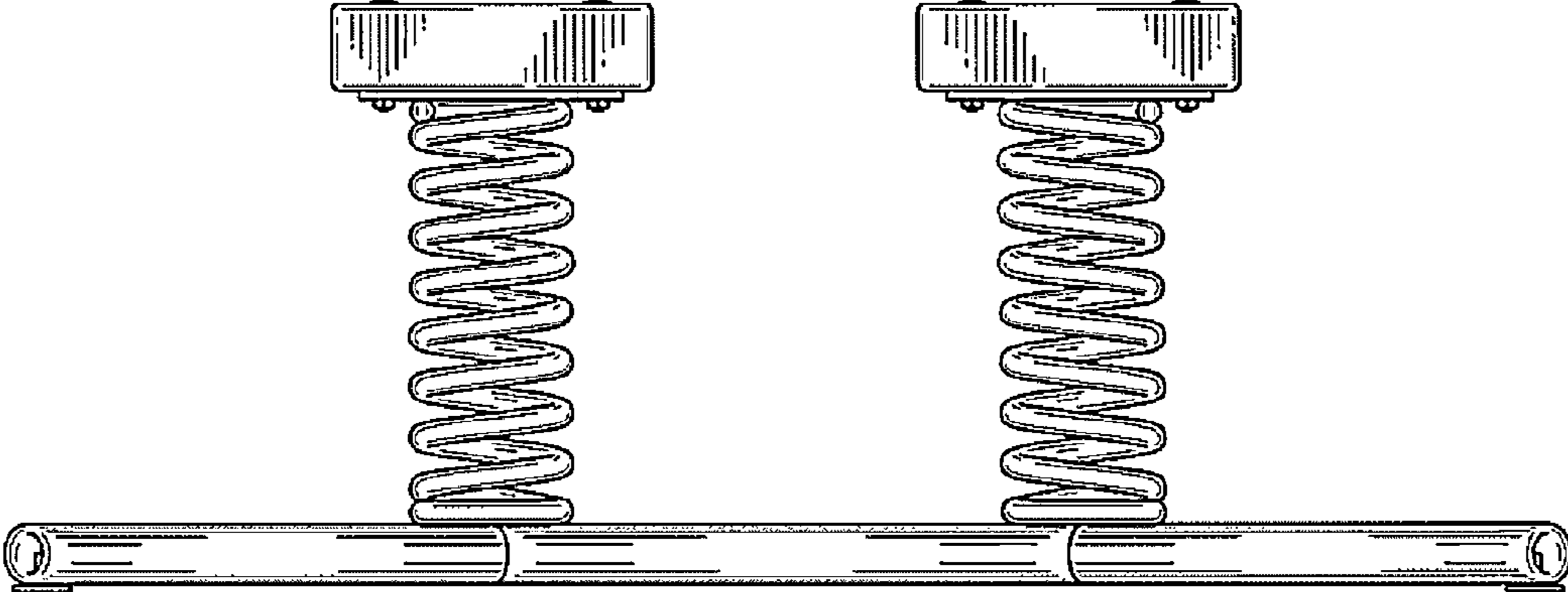


FIG. 4

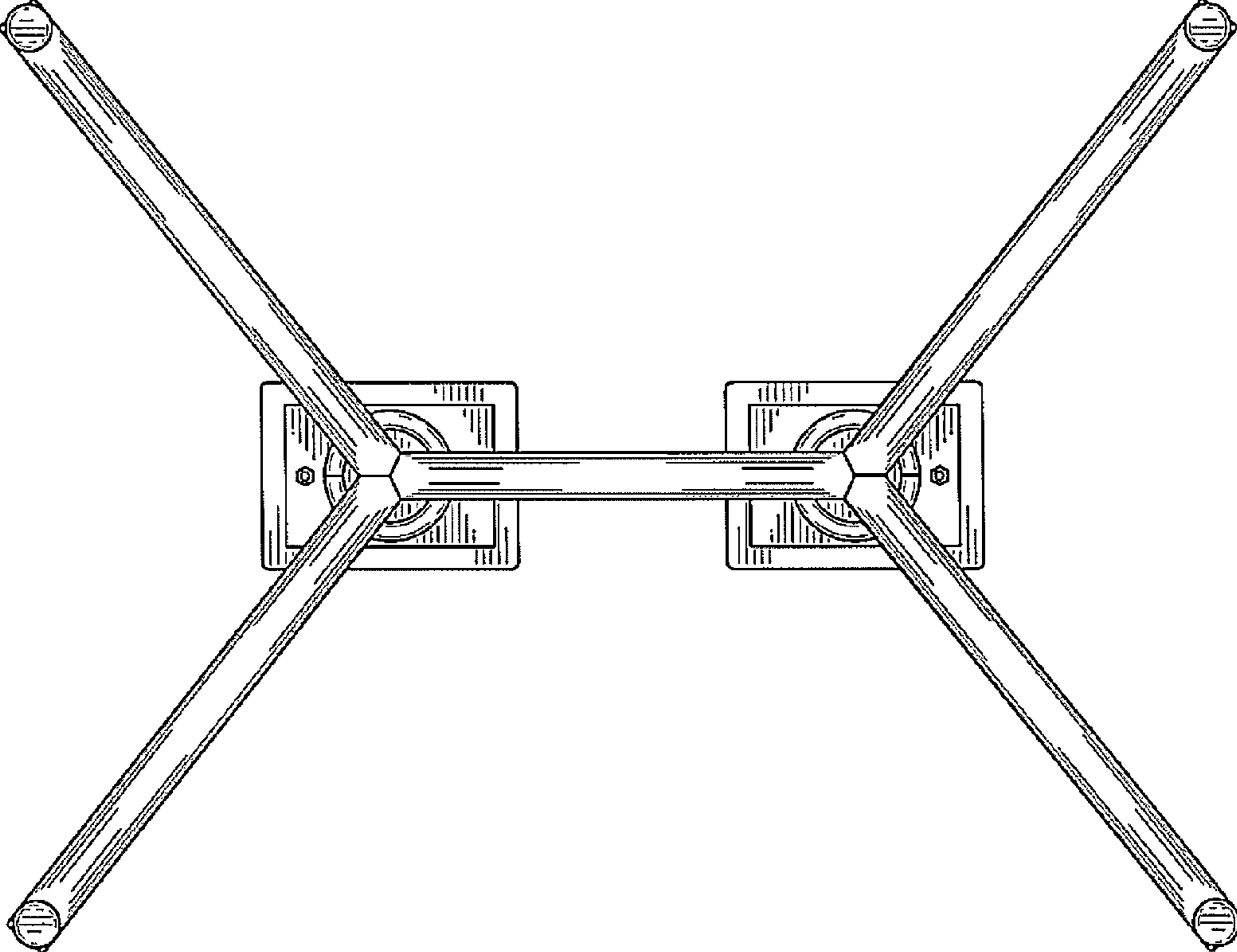


FIG. 5

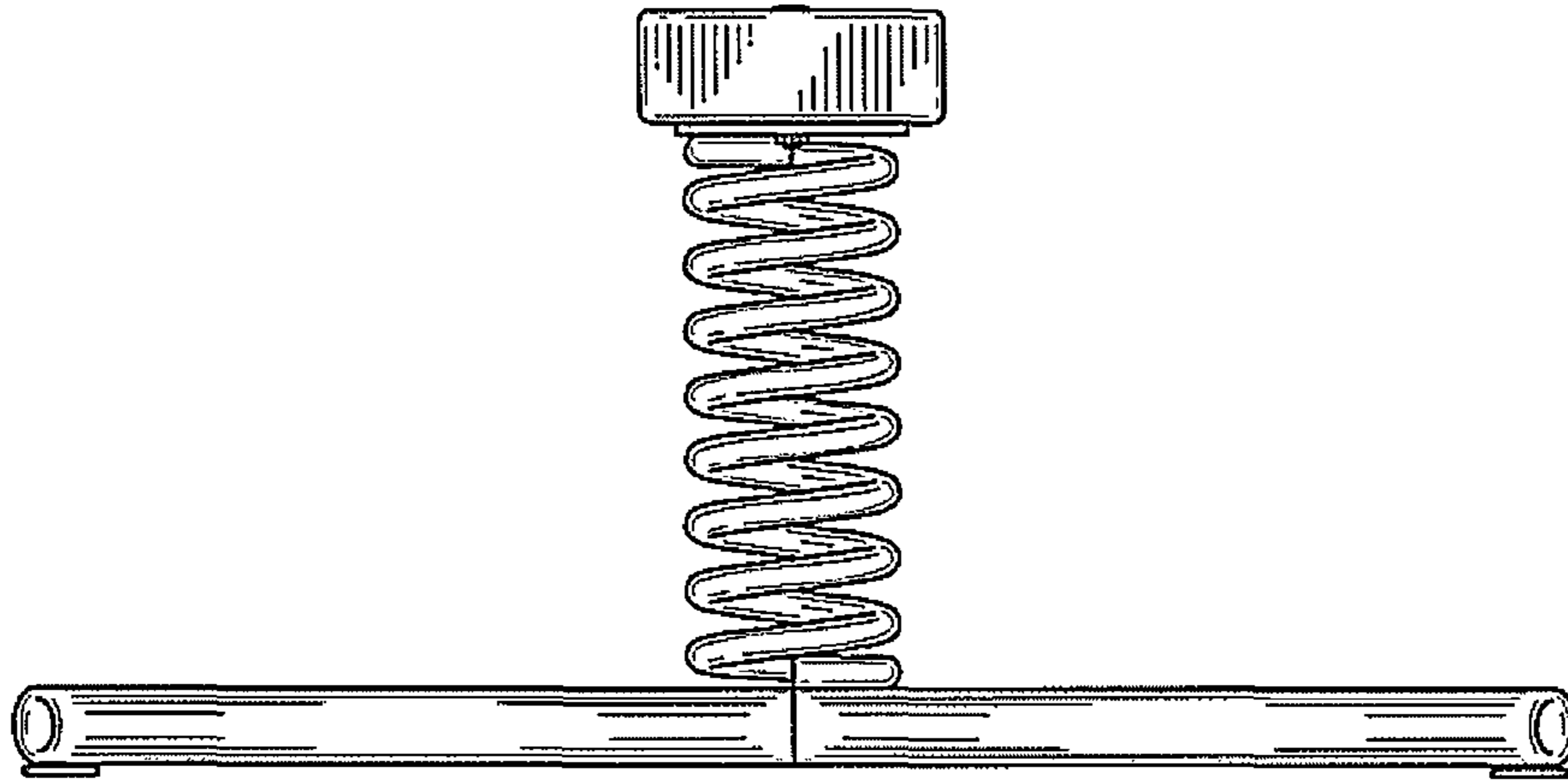


FIG. 6

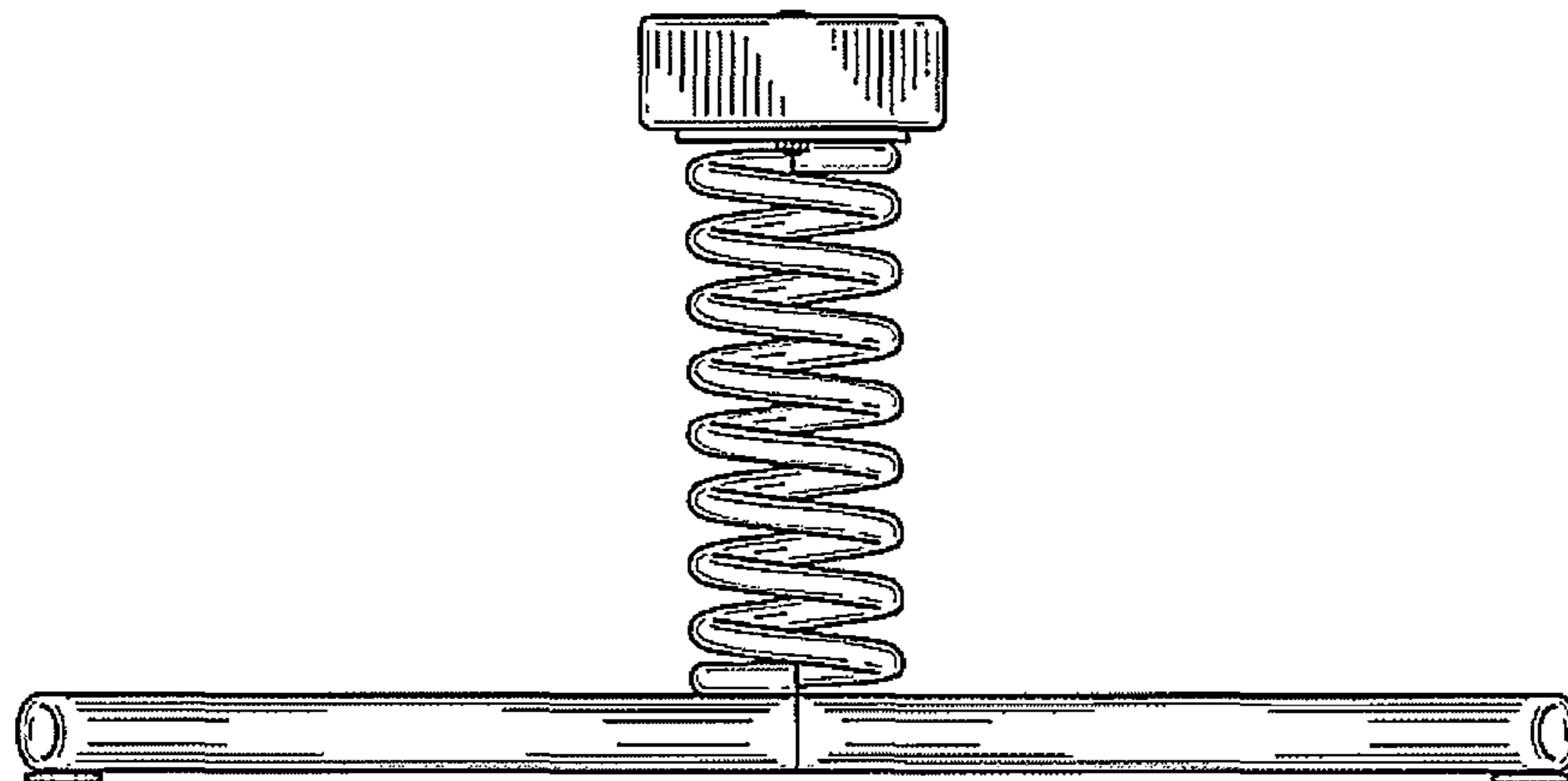


FIG. 7