



US00D734818S

(12) **United States Design Patent**
Goodman et al.

(10) **Patent No.:** **US D734,818 S**
(45) **Date of Patent:** **** Jul. 21, 2015**

- (54) **LETTER HOLDER**
- (71) Applicant: **Spectrum Diversified Designs, Inc.**,
Streetsboro, OH (US)
- (72) Inventors: **Sheldon H. Goodman**, Solon, OH (US);
Phaysouk Xayoiphonh, Akron, OH
(US); **Jennifer Case**, Middleburg
Heights, OH (US)
- (73) Assignee: **Spectrum Diversified Designs, Inc.**,
Streetsboro, OH (US)
- (**) Term: **14 Years**
- (21) Appl. No.: **29/492,367**
- (22) Filed: **May 30, 2014**
- (51) **LOC (10) Cl.** **19-02**
- (52) **U.S. Cl.**
USPC **D19/90**
- (58) **Field of Classification Search**
USPC D19/75-80, 86, 87, 89-92; 206/215,
206/425, 556, 557; 211/10, 11, 42, 45, 50,
211/88.01, 126.1, 106; D6/566
CPC A47B 17/03
See application file for complete search history.

D594,064 S *	6/2009	Goodman et al.	D19/90
D601,632 S *	10/2009	Goodman et al.	D19/90
D628,842 S *	12/2010	Guindi	D6/566
D645,685 S *	9/2011	Goodman et al.	D6/566
D649,822 S *	12/2011	Goodman et al.	D6/566
D666,855 S *	9/2012	Goodman et al.	D6/566
D667,250 S *	9/2012	Goodman et al.	D6/566
D675,049 S *	1/2013	Goodman et al.	D6/566
D675,466 S *	2/2013	Goodman et al.	D6/566
D692,633 S *	10/2013	Goodman et al.	D32/55
D710,628 S *	8/2014	Goodman et al.	D6/566

* cited by examiner

Primary Examiner — Elizabeth Albert

(74) *Attorney, Agent, or Firm* — Benesch Friedlander
Coplan & Aronoff LLP

(57) **CLAIM**

What is claimed is the ornamental design for a letter holder, as
shown and described.

DESCRIPTION

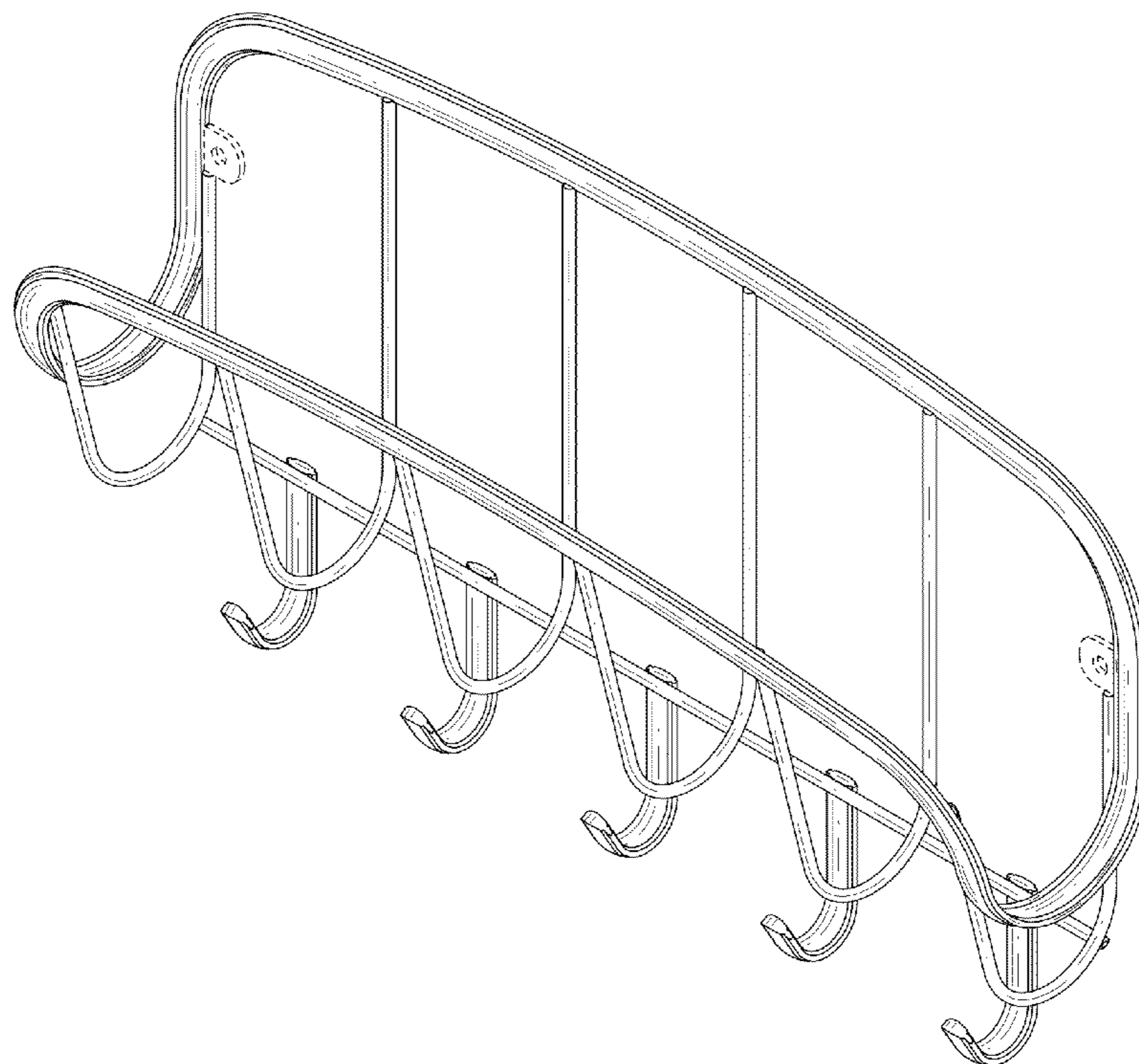
FIG. 1 is a perspective view of a letter holder showing a new
design;
FIG. 2 is a front view of the letter holder of FIG. 1;
FIG. 3 is a side view of the letter holder of FIG. 1;
FIG. 4 is a rear view of the letter holder of FIG. 1;
FIG. 5 is a cross-sectional view taken along line 5-5 of FIG. 4;
FIG. 6 is a top view of the letter holder of FIG. 1; and,
FIG. 7 is a bottom view of the letter holder of FIG. 1.
The features shown in broken lines illustrate portions of the
letter holder that form no part of the claimed design.

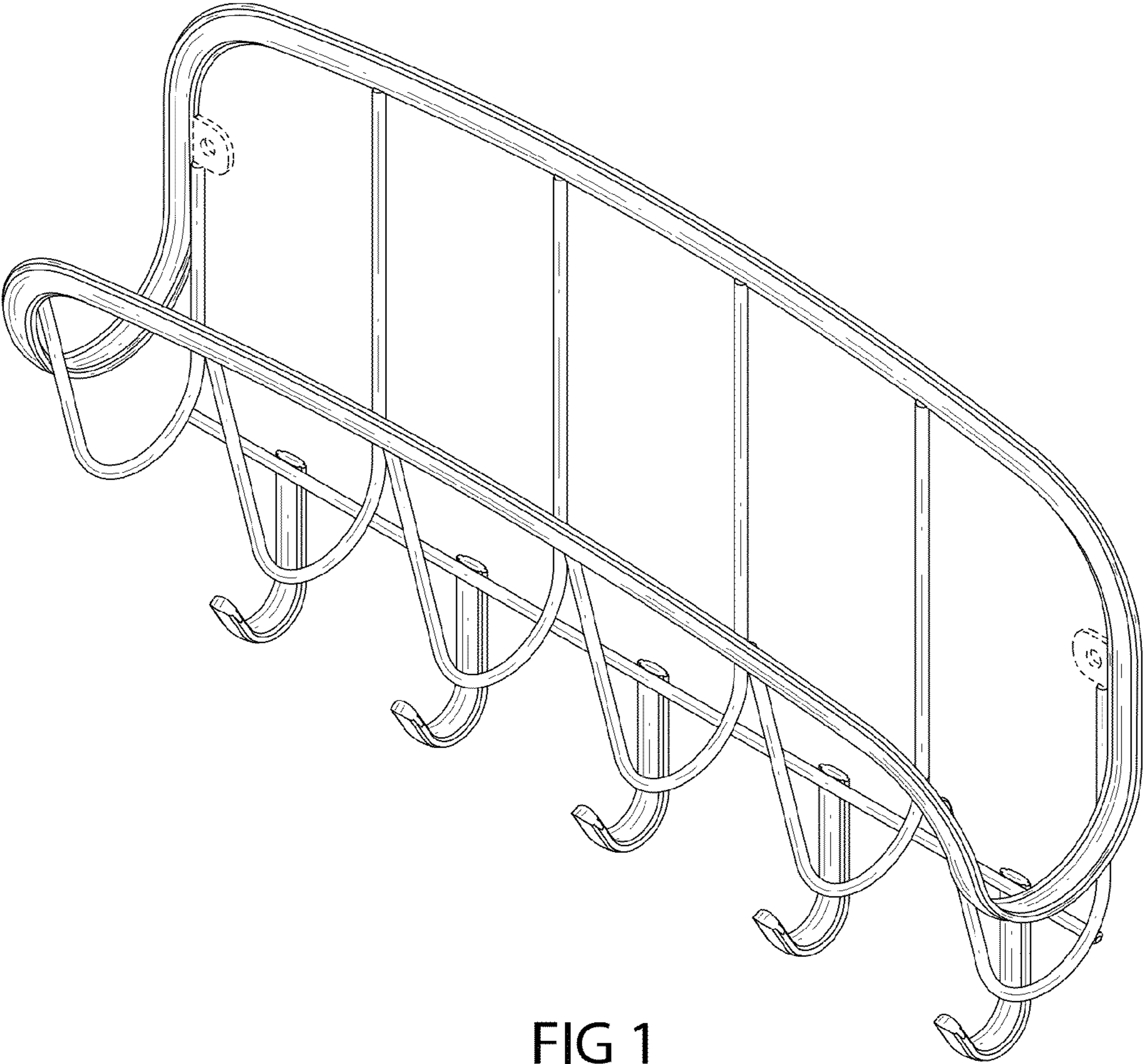
1 Claim, 3 Drawing Sheets

(56) **References Cited**

U.S. PATENT DOCUMENTS

D452,533 S *	12/2001	Goodman et al.	D19/90
D584,091 S *	1/2009	Goodman et al.	D6/566





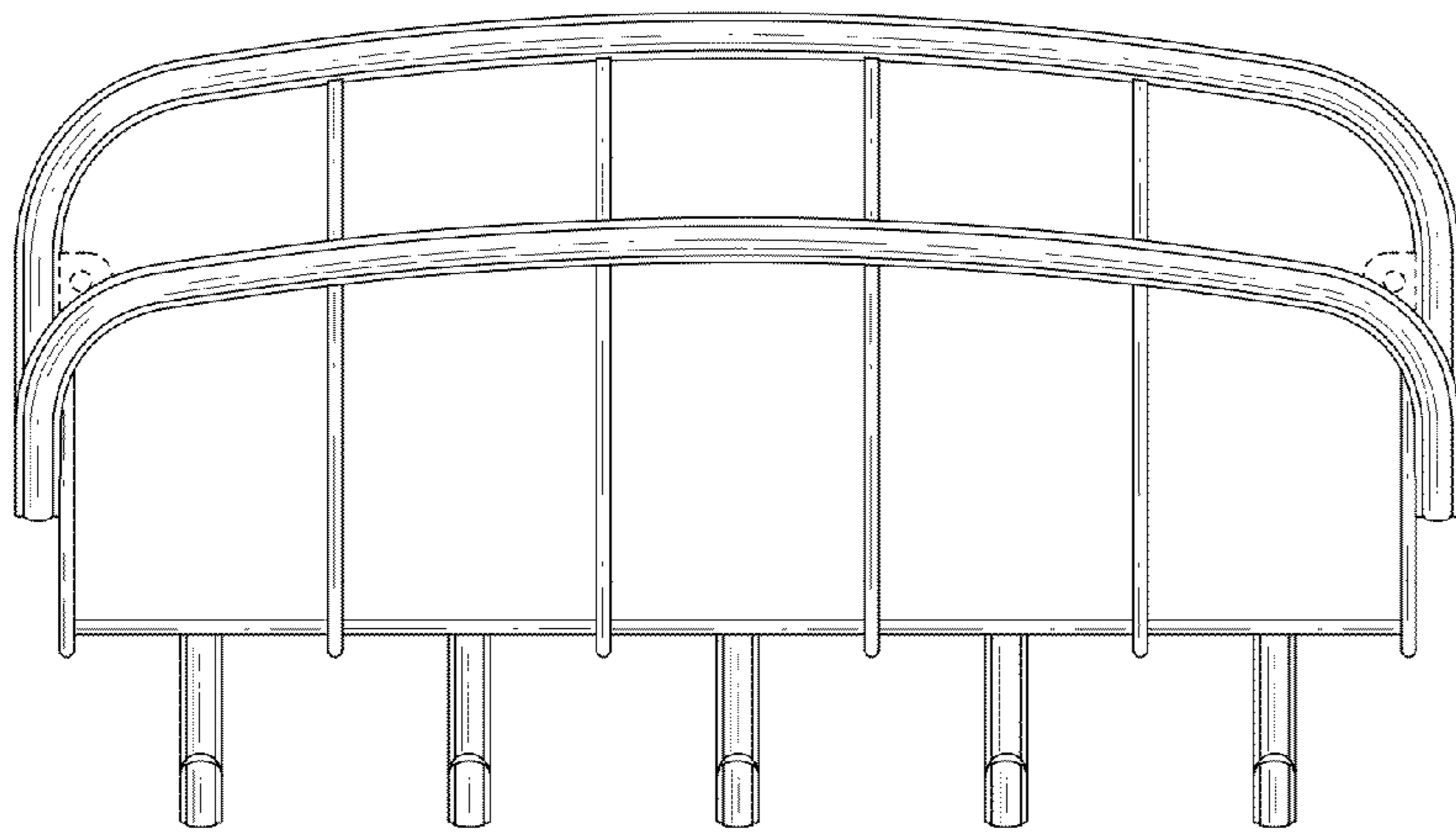


FIG 2

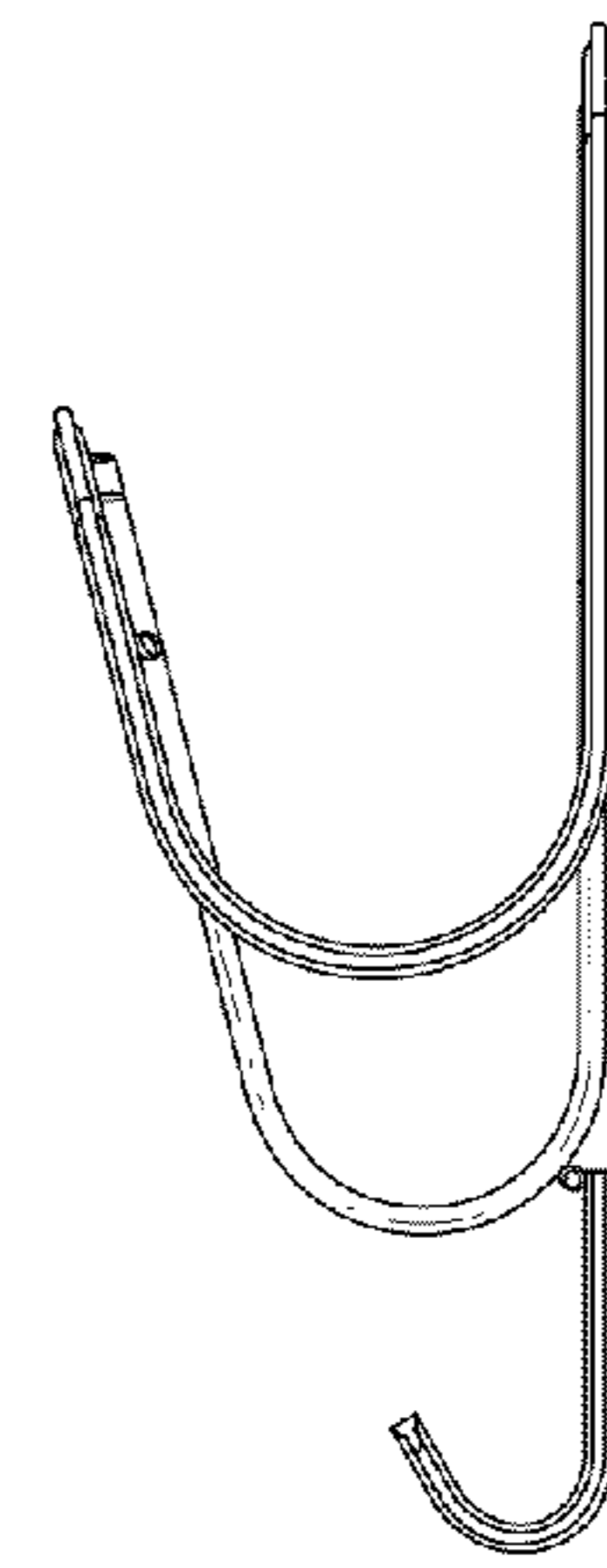


FIG 3

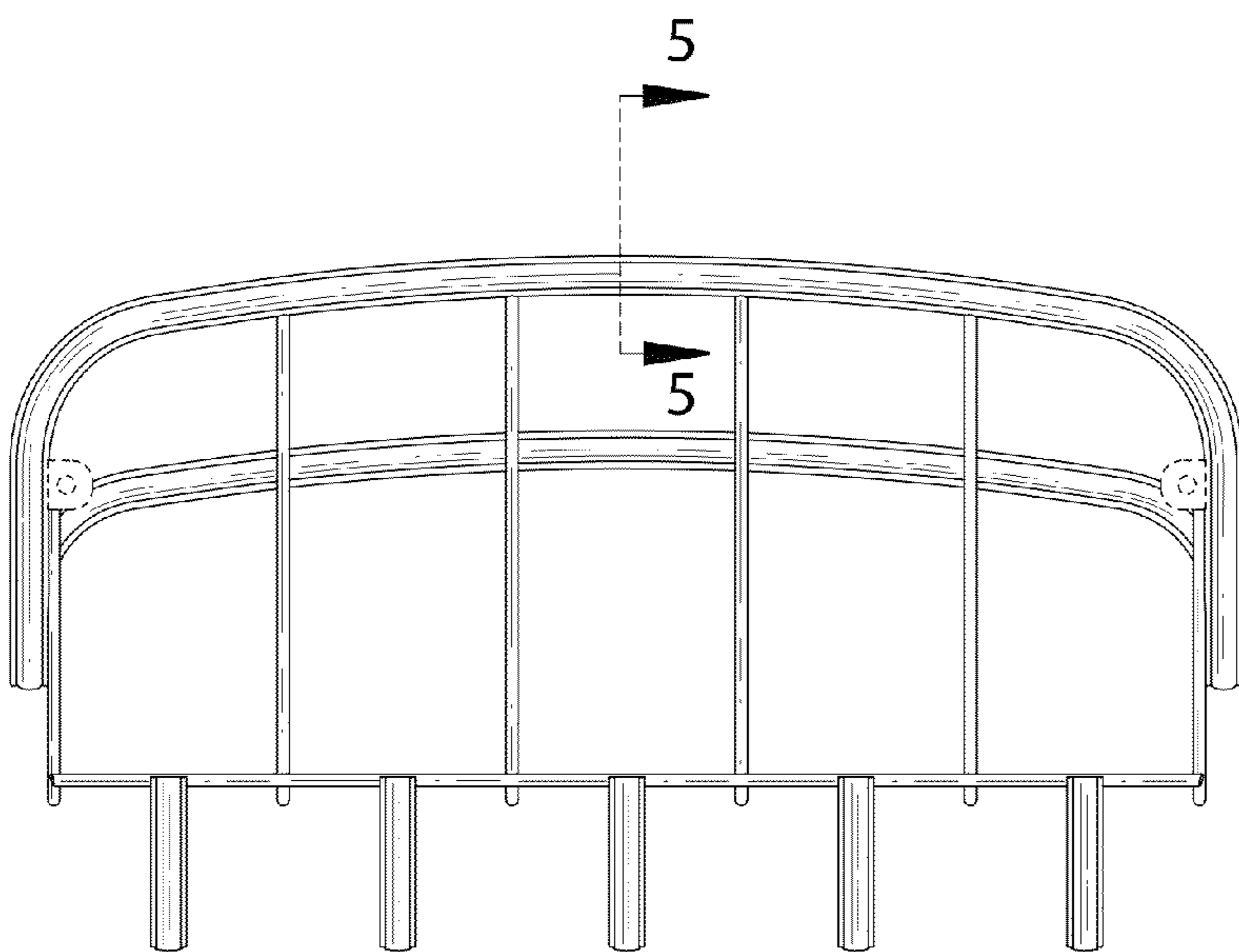


FIG 4



FIG 5

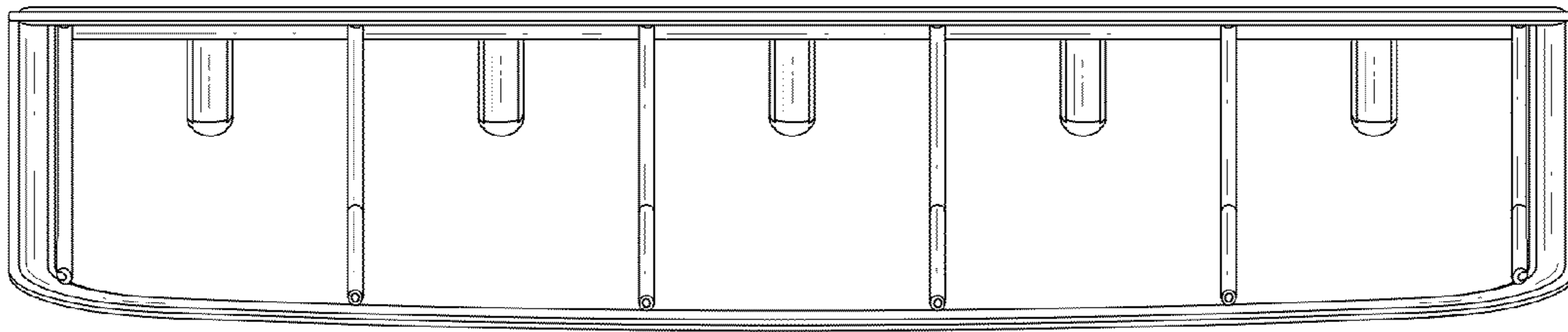


FIG 6

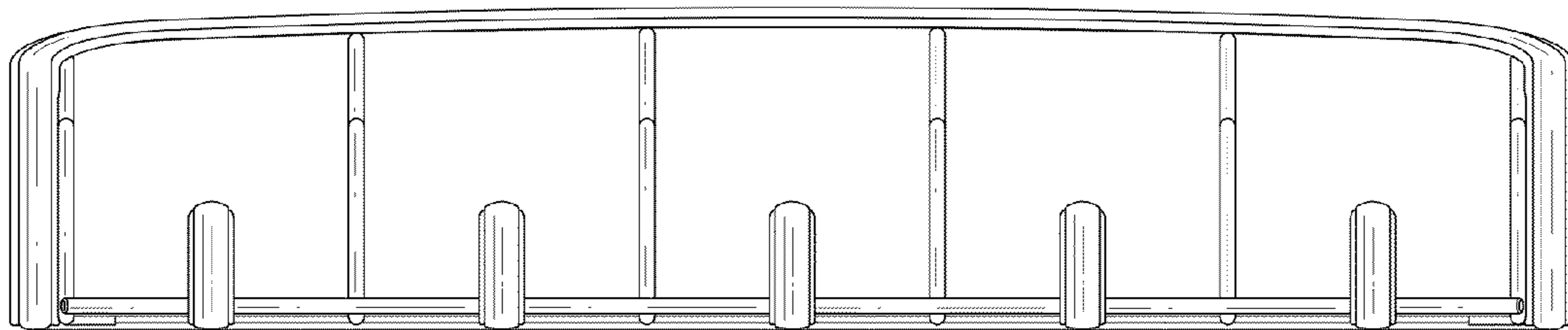


FIG 7