

US00D734815S

(12) **United States Design Patent**  
**Minamide et al.**

(10) **Patent No.:** **US D734,815 S**  
(45) **Date of Patent:** **\*\* Jul. 21, 2015**

(54) **CASE FOR A PRINTER**

(71) Applicants: **Keiichi Minamide**, Tokyo (JP);  
**Seung-Wook Jeong**, Seoul (KR)

(72) Inventors: **Keiichi Minamide**, Tokyo (JP);  
**Seung-Wook Jeong**, Seoul (KR)

(73) Assignee: **SAMSUNG ELECTRONICS CO., LTD.**, Suwon-si, Gyeonggi-do (KR)

(\*\*) Term: **14 Years**

(21) Appl. No.: **29/456,840**

(22) Filed: **Jun. 4, 2013**

(30) **Foreign Application Priority Data**

Dec. 5, 2012 (KR) ..... 30-2012-0058316

(51) **LOC (10) Cl.** ..... **18-02**

(52) **U.S. Cl.**  
USPC ..... **D18/55**

(58) **Field of Classification Search**  
USPC ..... D18/36-37, 50, 54, 54.1, 55;  
D14/420-425, 462-470; 400/613,  
400/613.1-613.4, 690.1-690.4, 691-694  
See application file for complete search history.

(56) **References Cited**

**U.S. PATENT DOCUMENTS**

- D279,902 S \* 7/1985 Genaro et al. .... D18/54
- D283,133 S \* 3/1986 Nakade et al. .... D18/54
- D285,566 S \* 9/1986 Hayashi ..... D18/54
- D287,720 S \* 1/1987 Takemasa ..... D18/54
- D521,059 S \* 5/2006 Richtsmeier et al. .... D18/55

- D523,071 S \* 6/2006 Katayama et al. .... D18/50
- D535,325 S \* 1/2007 Yamaguchi ..... D18/55
- D555,722 S \* 11/2007 Bae et al. .... D18/55
- D643,058 S \* 8/2011 Seki et al. .... D18/55
- D660,908 S \* 5/2012 Lemman et al. .... D18/55
- D672,387 S 12/2012 Kim et al.
- D672,388 S 12/2012 Kim et al.
- 2007/0014620 A1 \* 1/2007 Sugimoto ..... 400/691

\* cited by examiner

*Primary Examiner* — Cathy Anne MacCormac

(74) *Attorney, Agent, or Firm* — Flynn, Thiel, Boutell & Tanis, P.C.

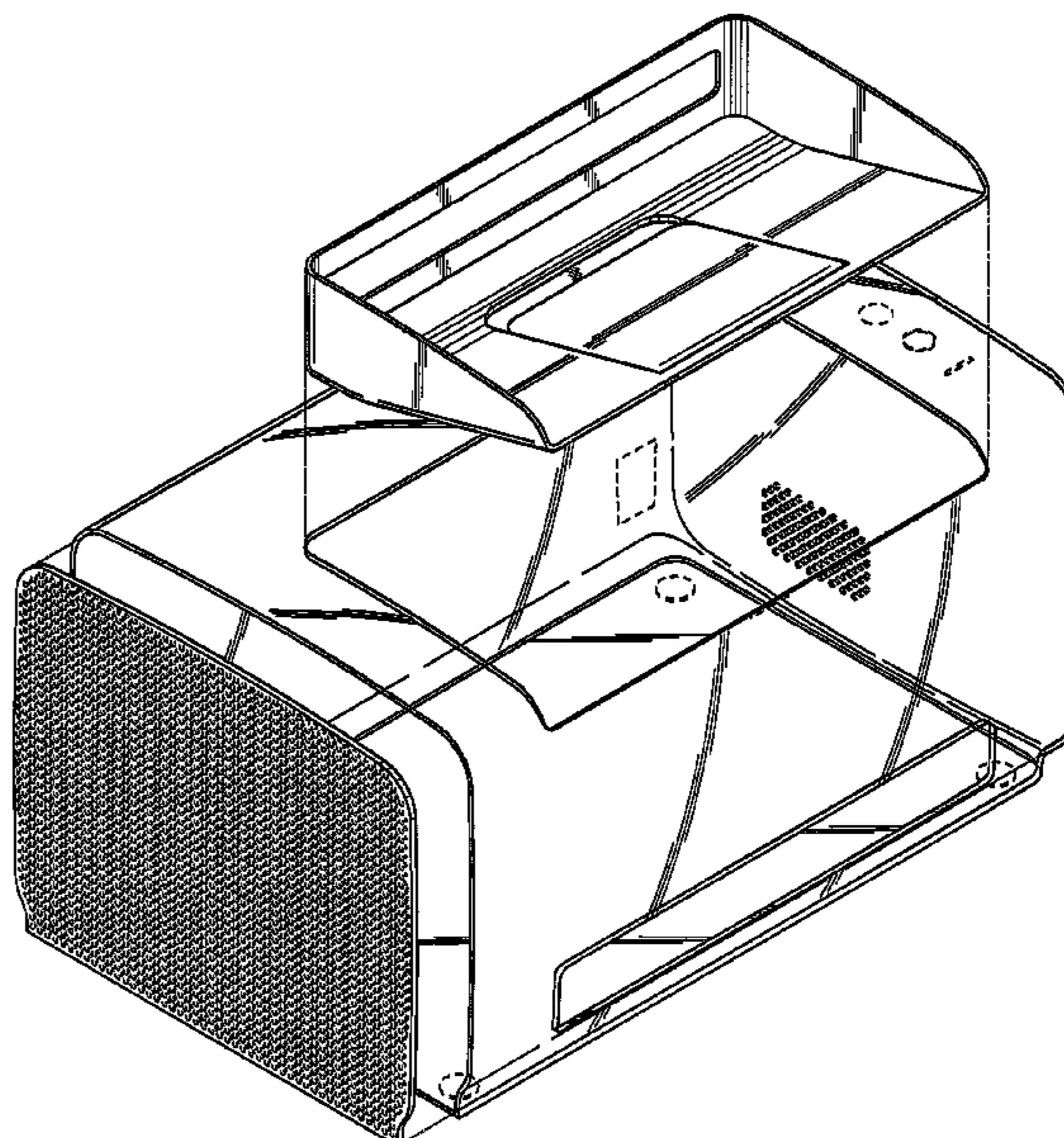
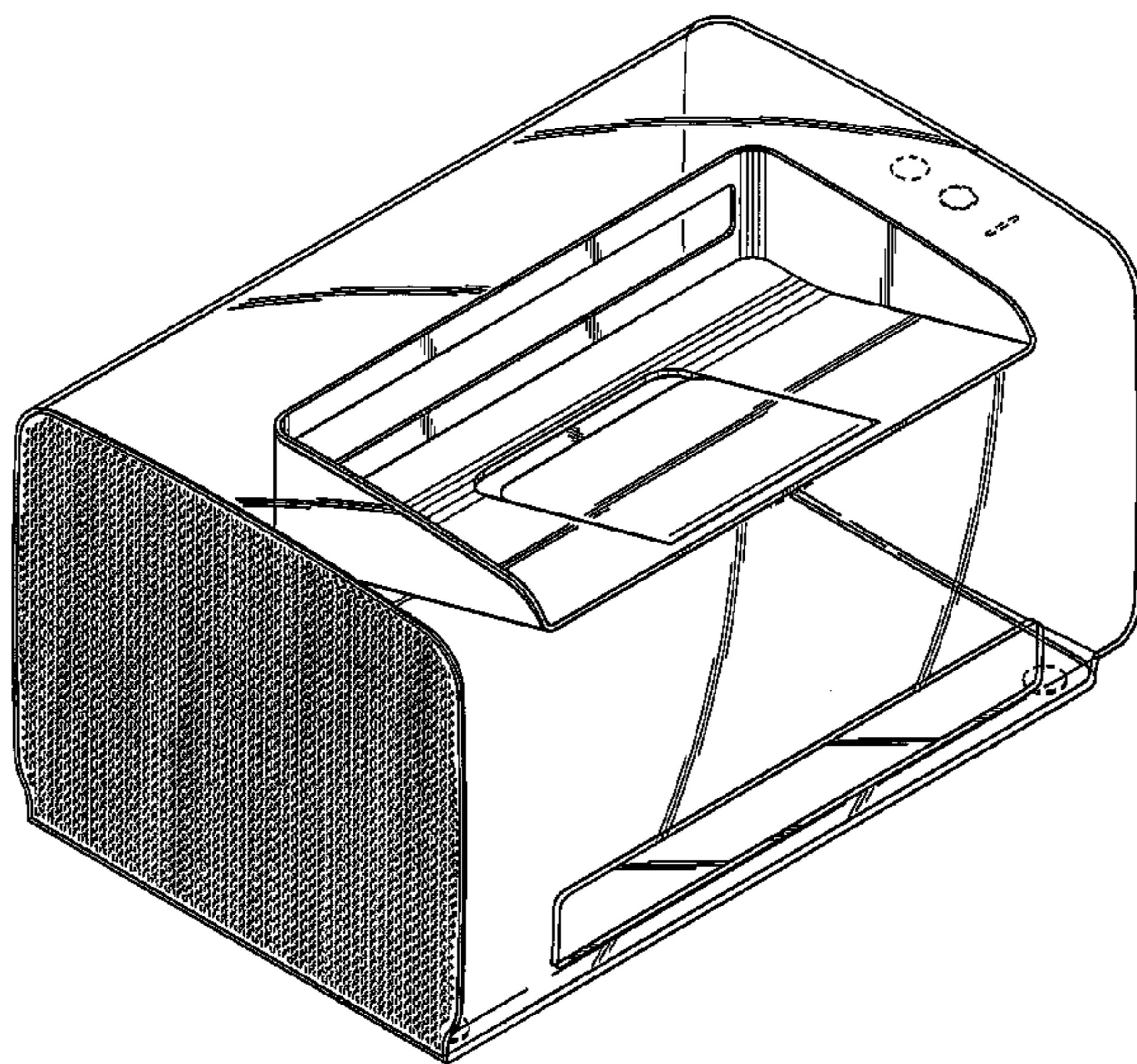
(57) **CLAIM**

The ornamental design for a case for a printer, as shown and described.

**DESCRIPTION**

FIG. 1 is a top front perspective view of a case for a printer showing our new design;  
 FIG. 2 is a front view thereof;  
 FIG. 3 is a rear view thereof;  
 FIG. 4 is a left side view thereof;  
 FIG. 5 is a right side view thereof;  
 FIG. 6 is a top view thereof;  
 FIG. 7 is a bottom view thereof; and,  
 FIG. 8 is a top front exploded perspective view thereof showing portions of the case in alternate positions.  
 The broken lines illustrating portions of the case for a printer are for environmental purposes only and form no part of the claimed design.

**1 Claim, 5 Drawing Sheets**



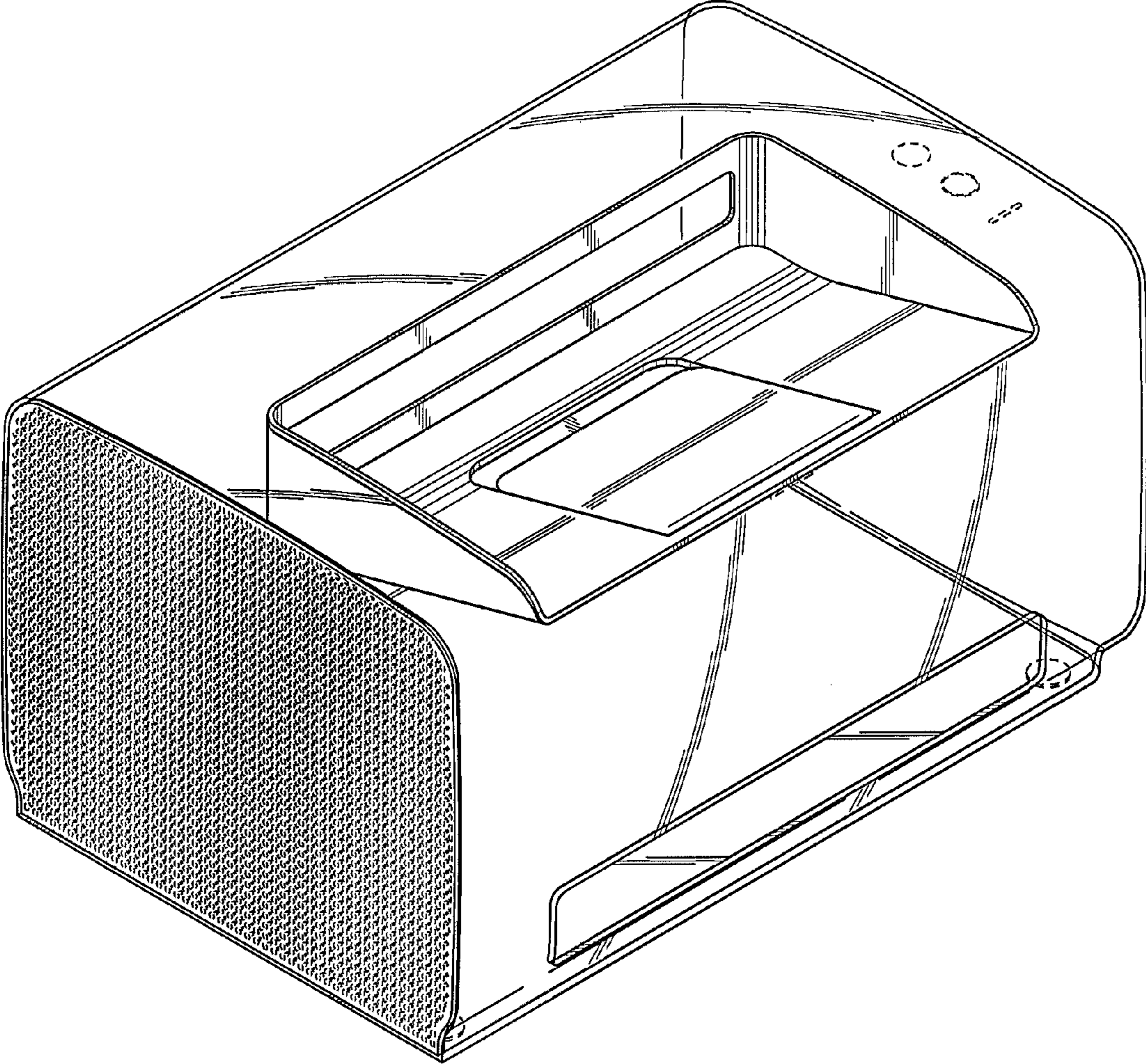
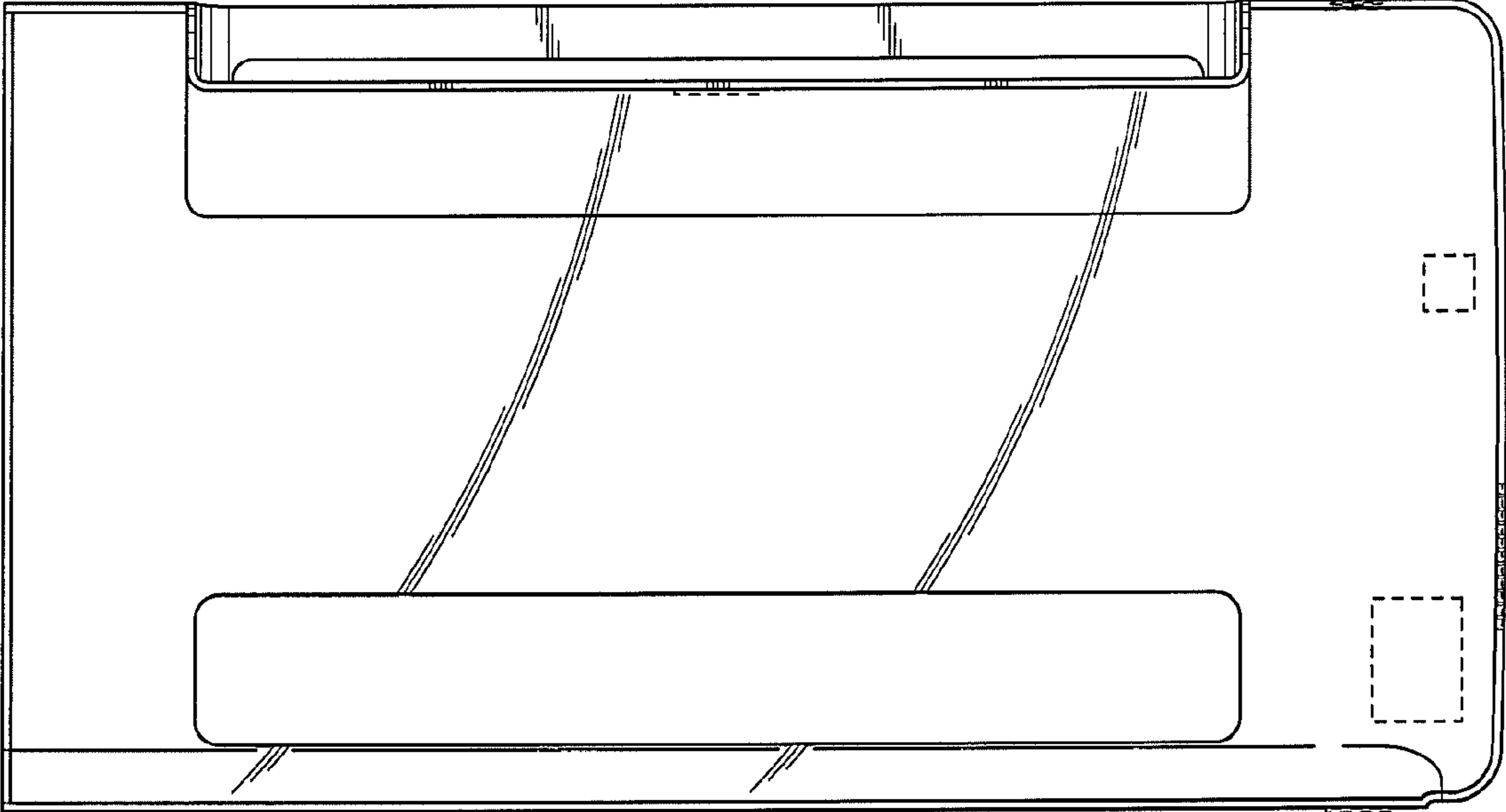
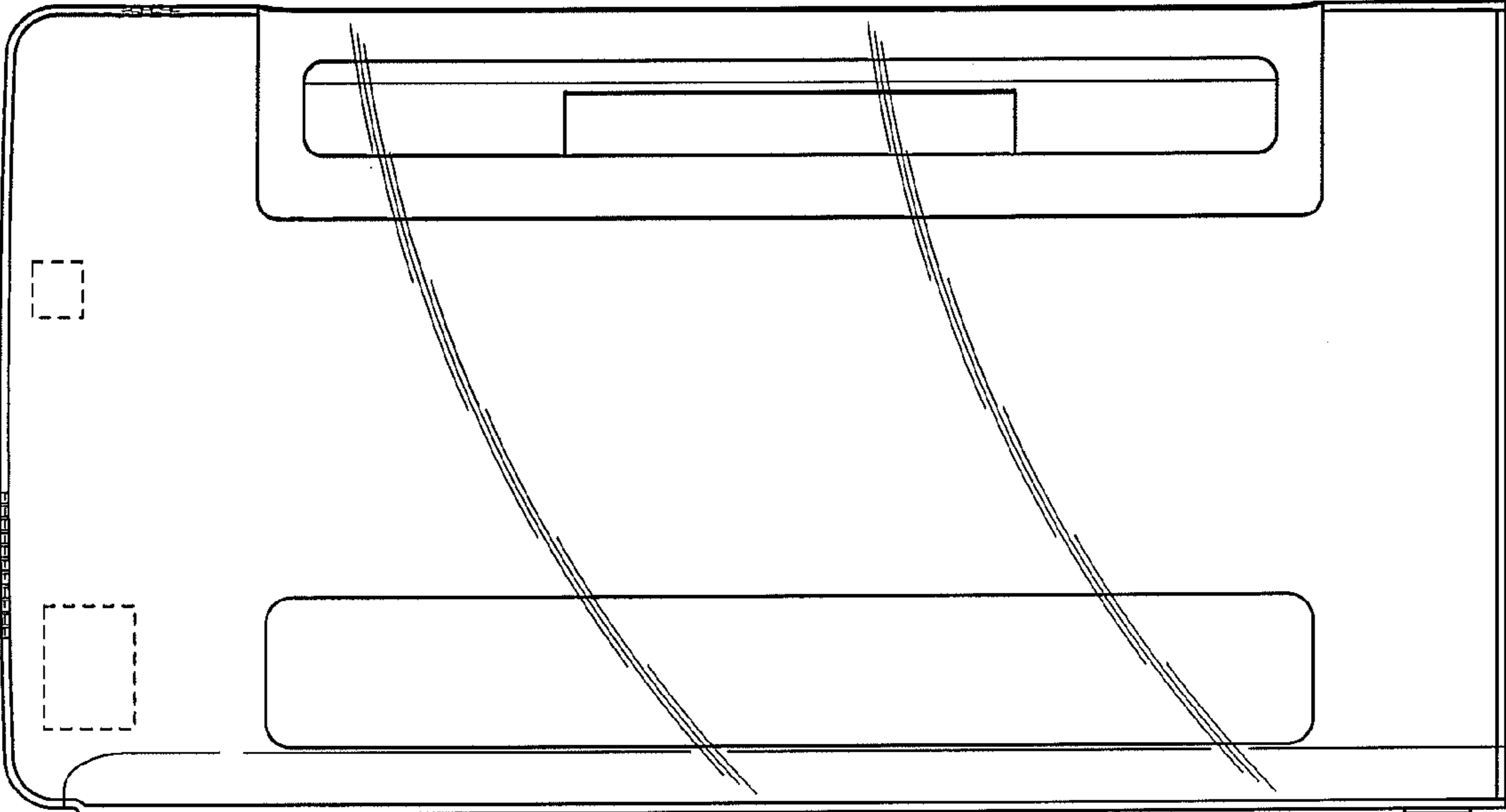


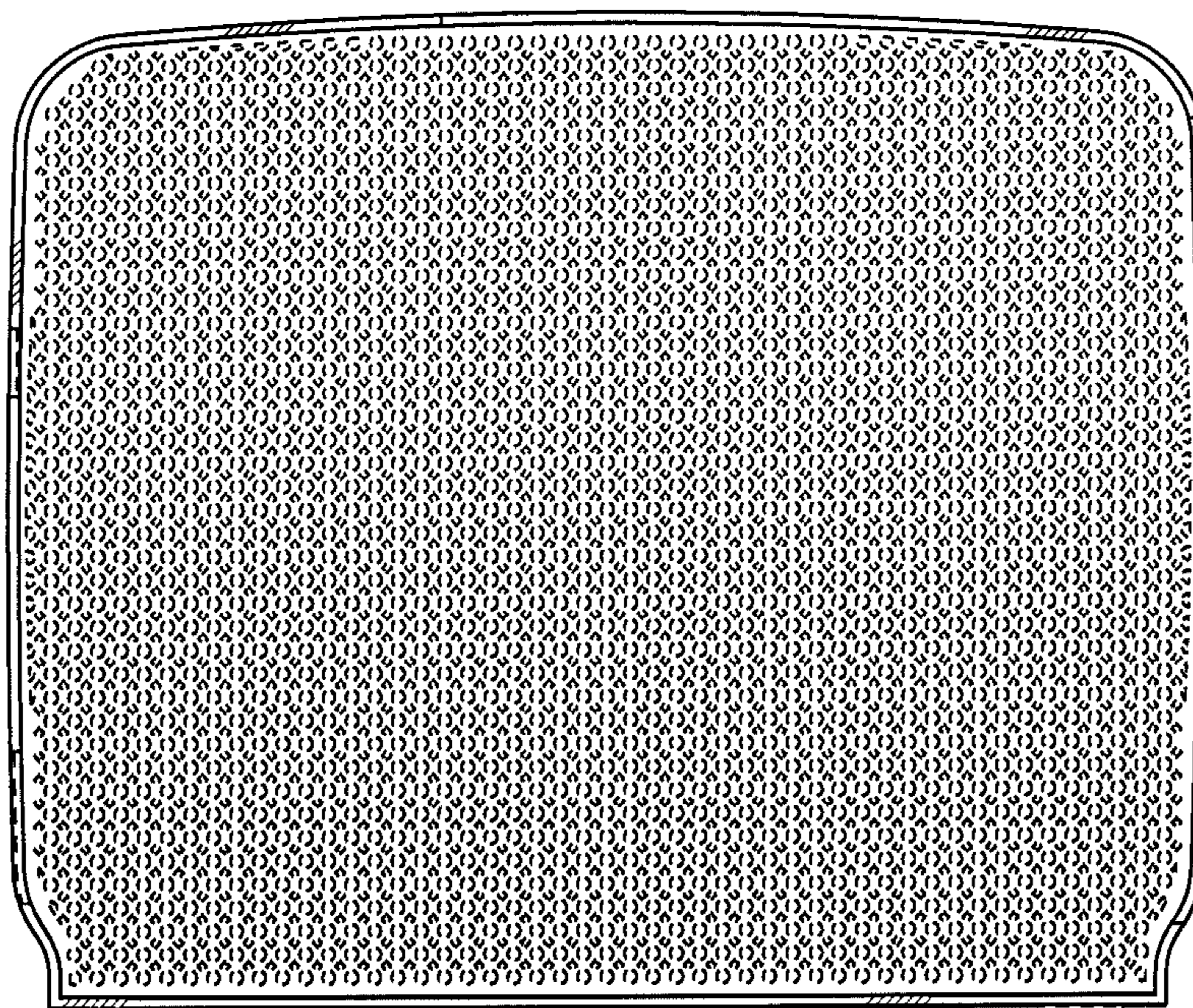
FIG. 1



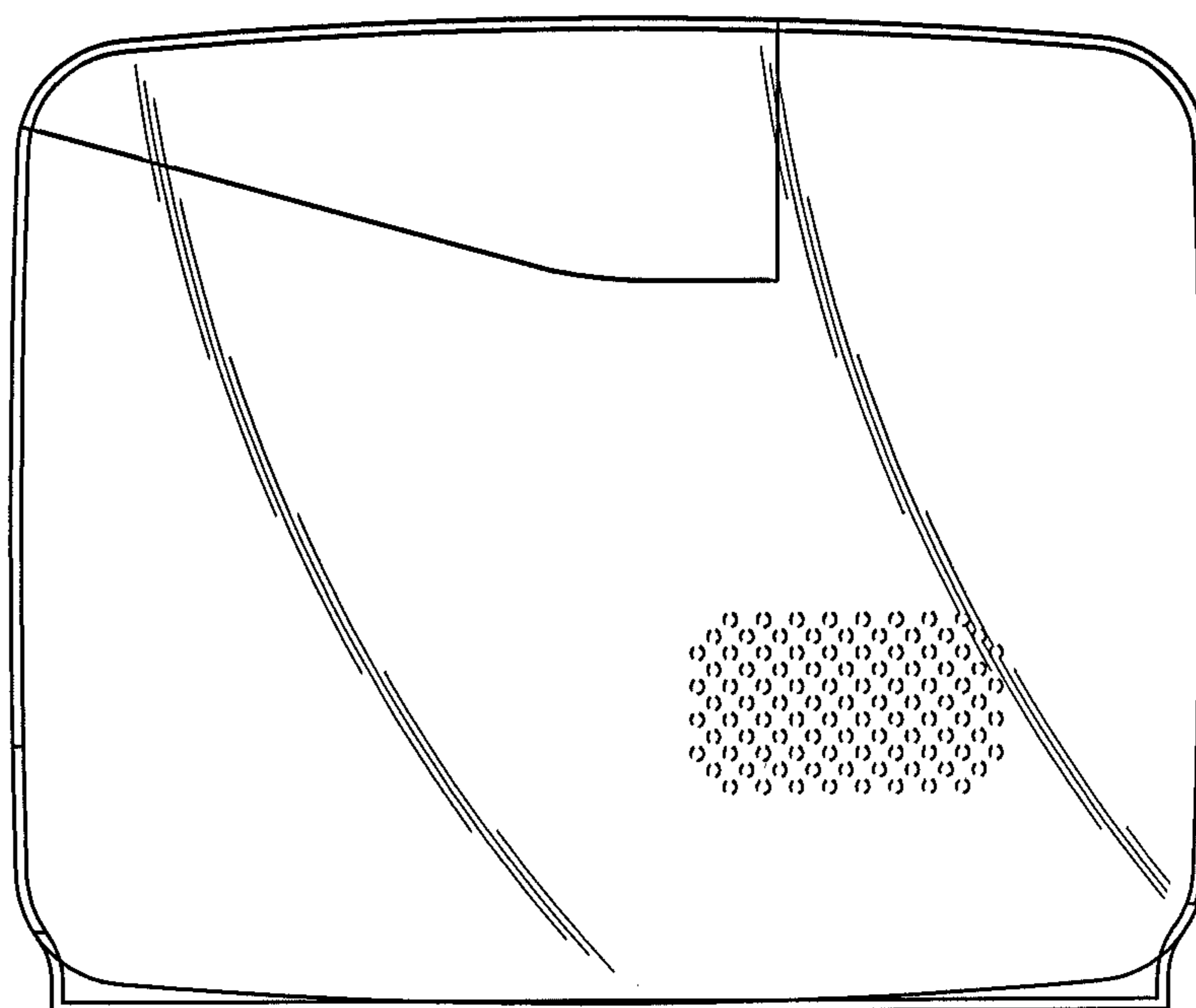
**FIG. 2**



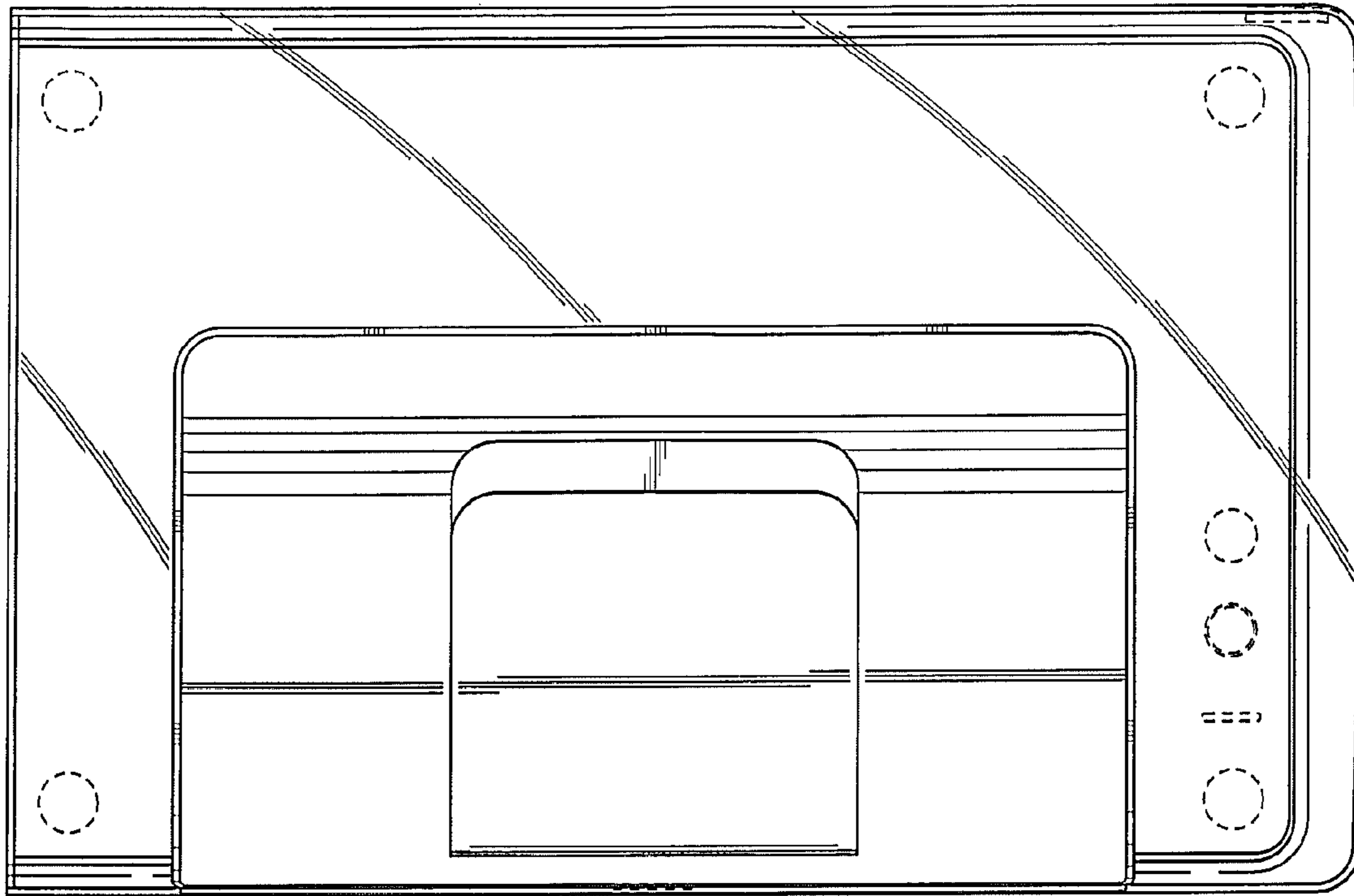
**FIG. 3**



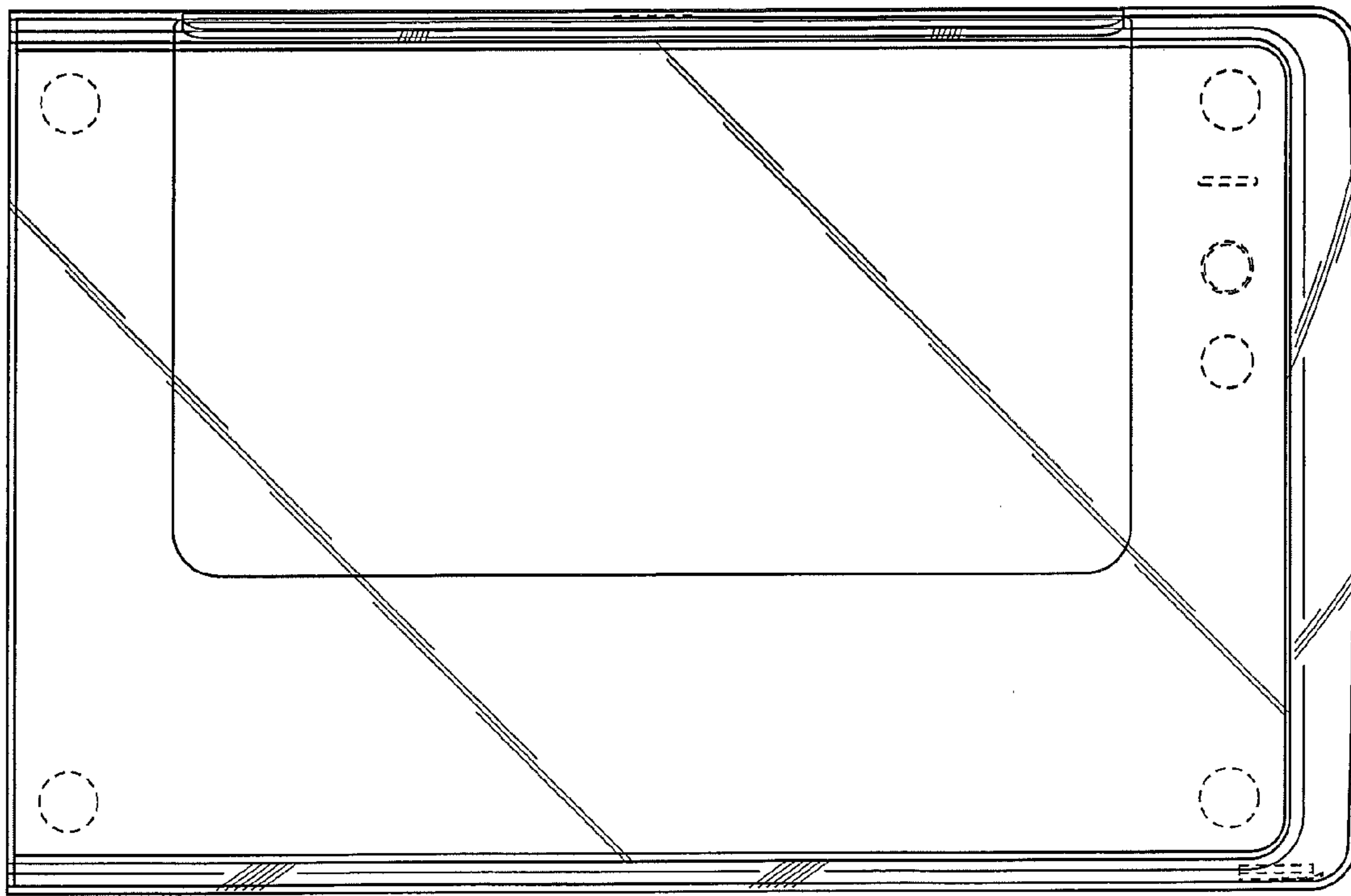
**FIG. 4**



**FIG. 5**



**FIG. 6**



**FIG. 7**

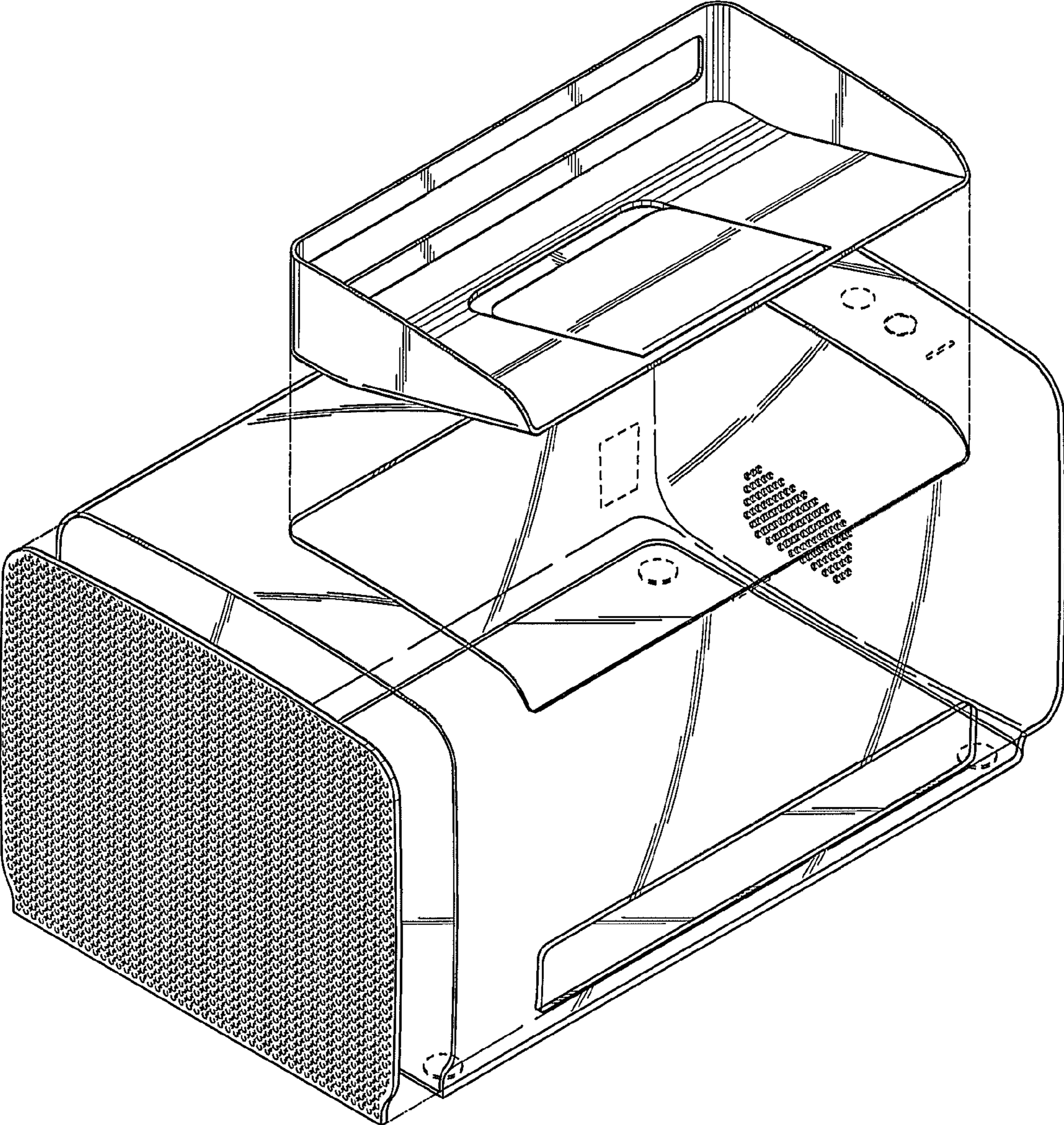


FIG. 8