

US00D734814S

(12) **United States Design Patent**
Yeh et al.

(10) **Patent No.:** **US D734,814 S**
(45) **Date of Patent:** **** Jul. 21, 2015**

(54) **3D PRINTER**

(56) **References Cited**

(71) Applicants: **XYZprinting, Inc.**, New Taipei (TW);
Kinpo Electronics, Inc., New Taipei
(TW); **Cal-Comp Electronics &
Communications Company Limited**,
New Taipei (TW)

(72) Inventors: **Hong-Chuan Yeh**, New Taipei (TW);
Ming-En Ho, New Taipei (TW);
Chien-Chih Chen, New Taipei (TW);
Chi-Wen Hsieh, New Taipei (TW);
Kwei-Jui Teng, New Taipei (TW)

(73) Assignees: **XYZprinting, Inc.**, New Taipei (TW);
Kinpo Electronics, Inc., New Taipei
(TW); **Cal-Comp Electronics &
Communications Company Limited**,
New Taipei (TW)

(**) Term: **14 Years**

(21) Appl. No.: **29/465,027**

(22) Filed: **Aug. 23, 2013**

(51) **LOC (10) Cl.** **18-02**

(52) **U.S. Cl.**
USPC **D18/50**

(58) **Field of Classification Search**
USPC D18/36-37, 50, 54, 54.1, 55;
D14/420-425, 462-470; 400/613,
400/613.1-613.4, 690.1-690.4, 691-694;
264/113, 308; 425/143, 375
CPC B41J 3/36; B41J 9/26; B41J 15/00;
B41J 29/02; B41J 29/13; B41J 35/36; B65H
35/06; G03G 21/00; G03G 21/16; G03G
15/00; G06F 3/12; G06K 15/14; B08B 5/00;
B23K 15/00; B28B 1/00; B28B 17/00; B29C
31/04; B29C 35/04; B29C 35/08; B29C
41/02; B29C 41/22; B41F 14/08
See application file for complete search history.

U.S. PATENT DOCUMENTS

5,885,511 A *	3/1999	Heller et al.	264/308
D523,897 S *	6/2006	Iue	D18/54
7,204,684 B2 *	4/2007	Ederer et al.	425/375
7,297,304 B2 *	11/2007	Swanson et al.	264/308
7,682,141 B2 *	3/2010	Linares et al.	425/4 R
8,252,223 B2 *	8/2012	Medina et al.	425/375
D677,723 S *	3/2013	Buel et al.	D18/59
D688,741 S *	8/2013	Joyce	D18/50
8,545,209 B2 *	10/2013	Shi et al.	425/375
8,616,678 B2 *	12/2013	Profaca et al.	347/32
D711,463 S *	8/2014	Costabeber	D18/50
8,827,440 B2 *	9/2014	Inokuchi et al.	347/104
8,827,684 B1 *	9/2014	Schumacher et al.	425/375

* cited by examiner

Primary Examiner — Cathy A MacCormac

(74) *Attorney, Agent, or Firm* — Jianq Chyun IP Office

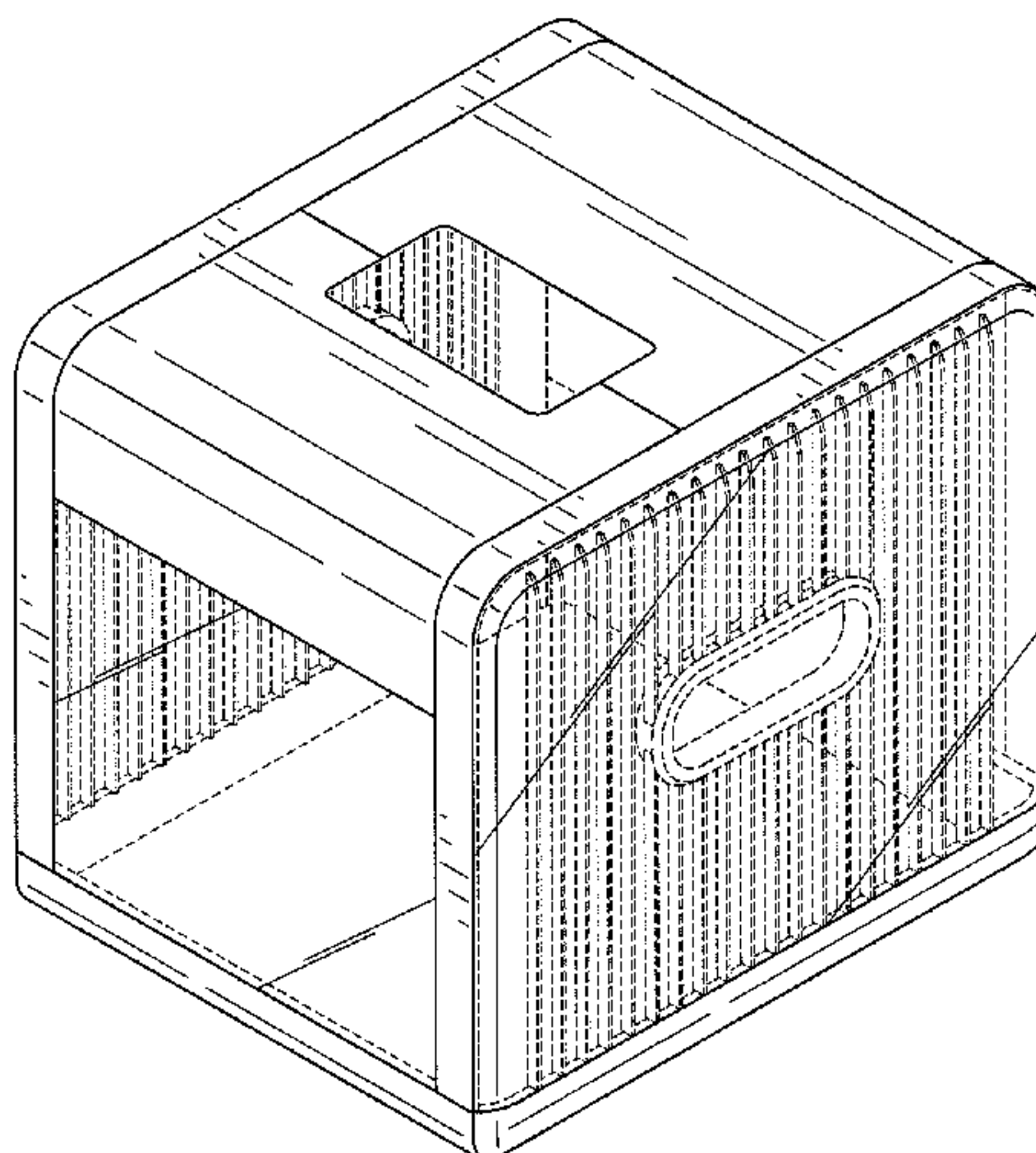
(57) **CLAIM**

The ornamental design for a 3D printer, as shown and described.

DESCRIPTION

FIG. 1 is a perspective view of a 3D printer showing our new design;
FIG. 2 is another perspective view thereof;
FIG. 3 is a front view thereof;
FIG. 4 is a rear view thereof;
FIG. 5 is a left side view thereof;
FIG. 6 is a right side view thereof;
FIG. 7 is a top view thereof; and,
FIG. 8 is a bottom view thereof.
The broken line portions of the 3D printer represent unclaimed portions of the claimed design, are for illustration only and form no part of the claimed design.

1 Claim, 8 Drawing Sheets



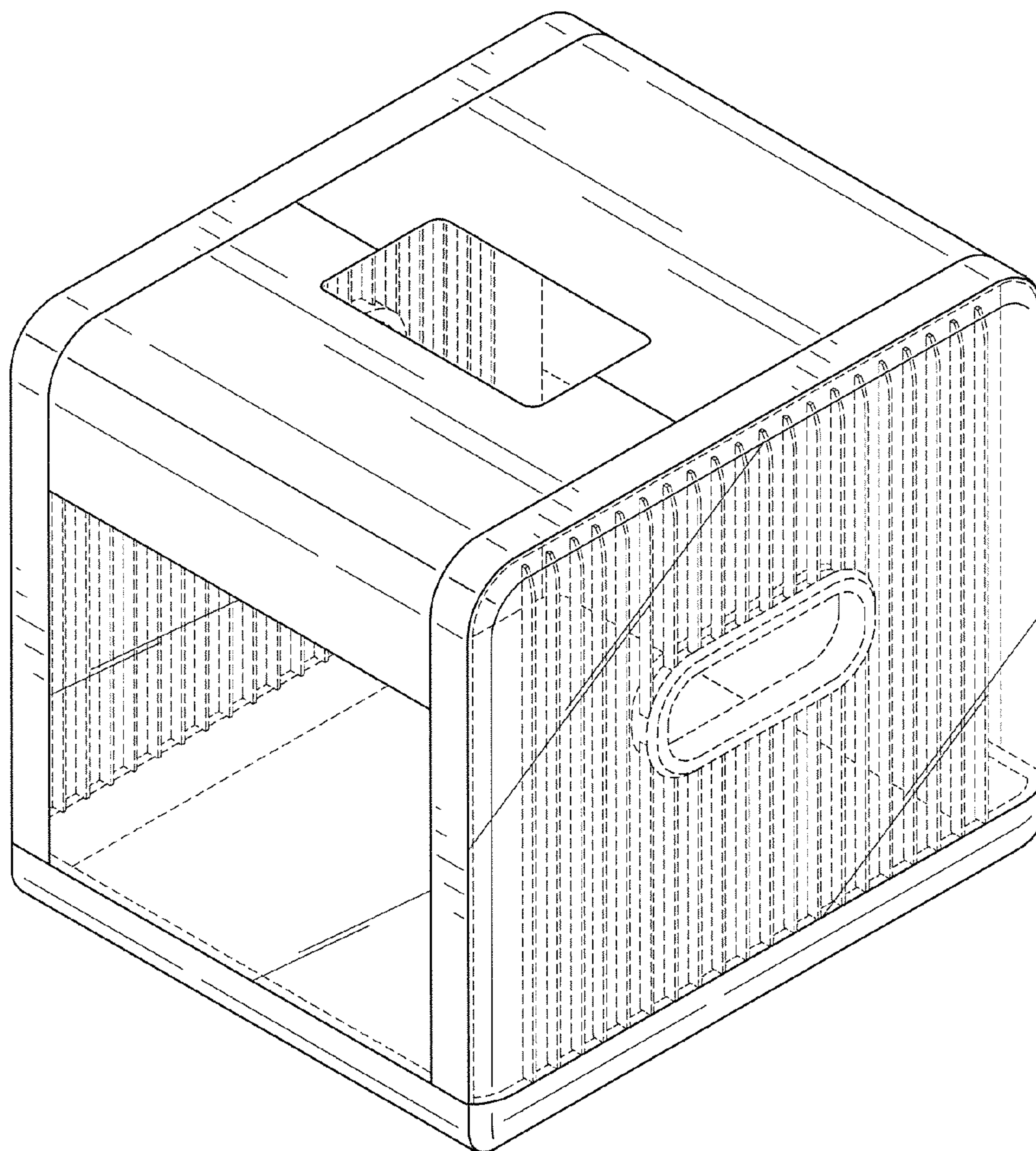


FIG. 1

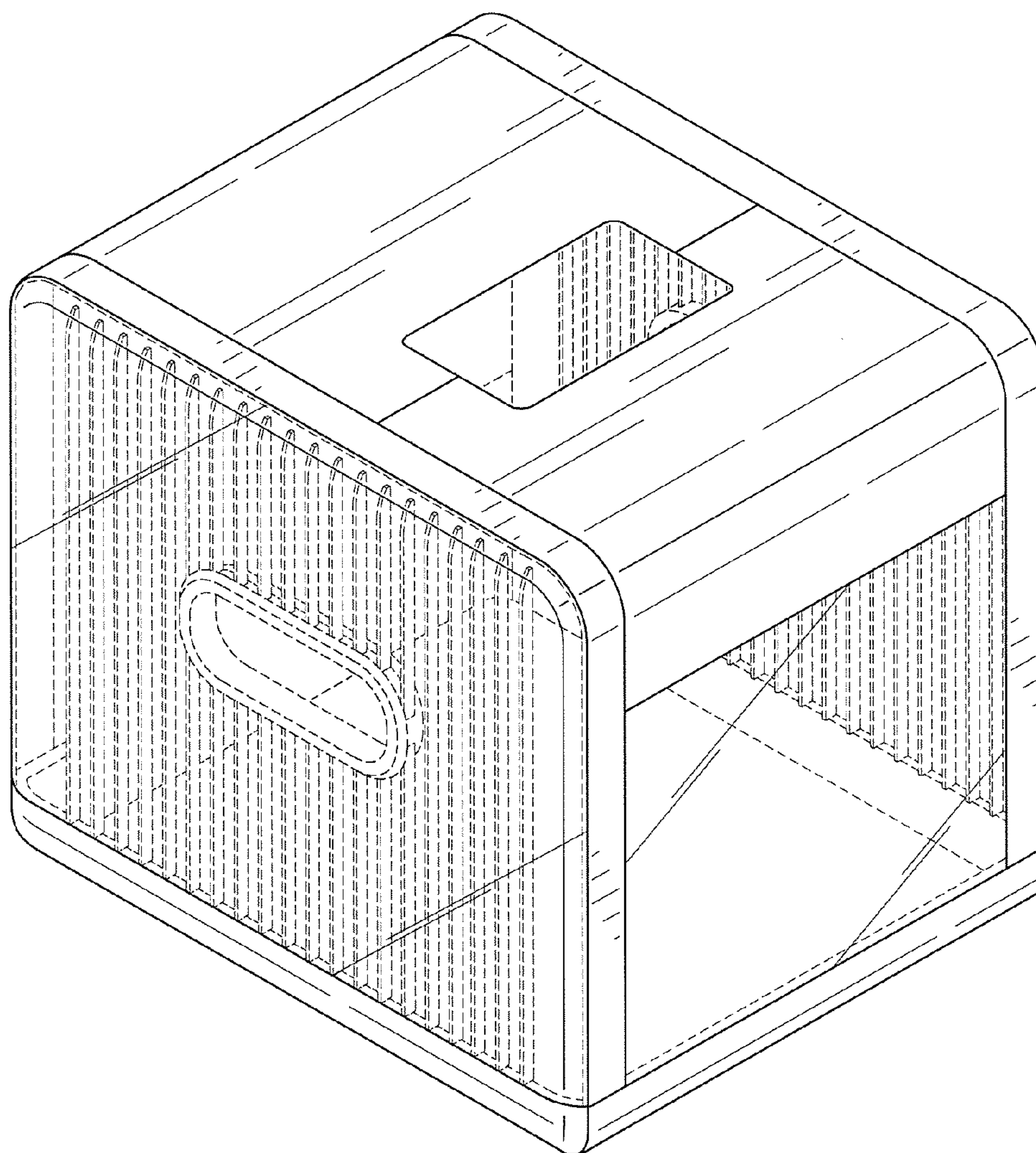


FIG. 2

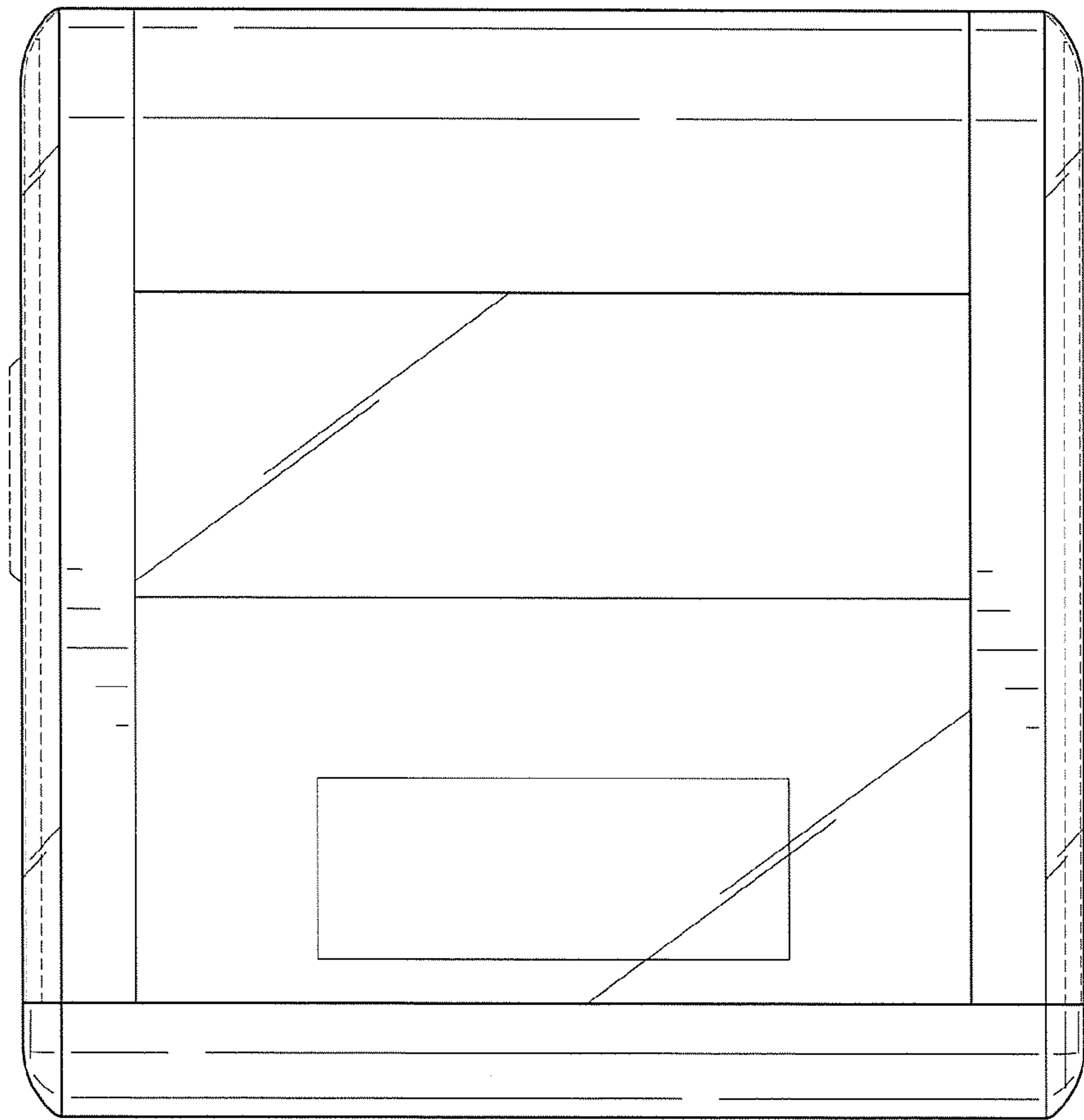


FIG. 3

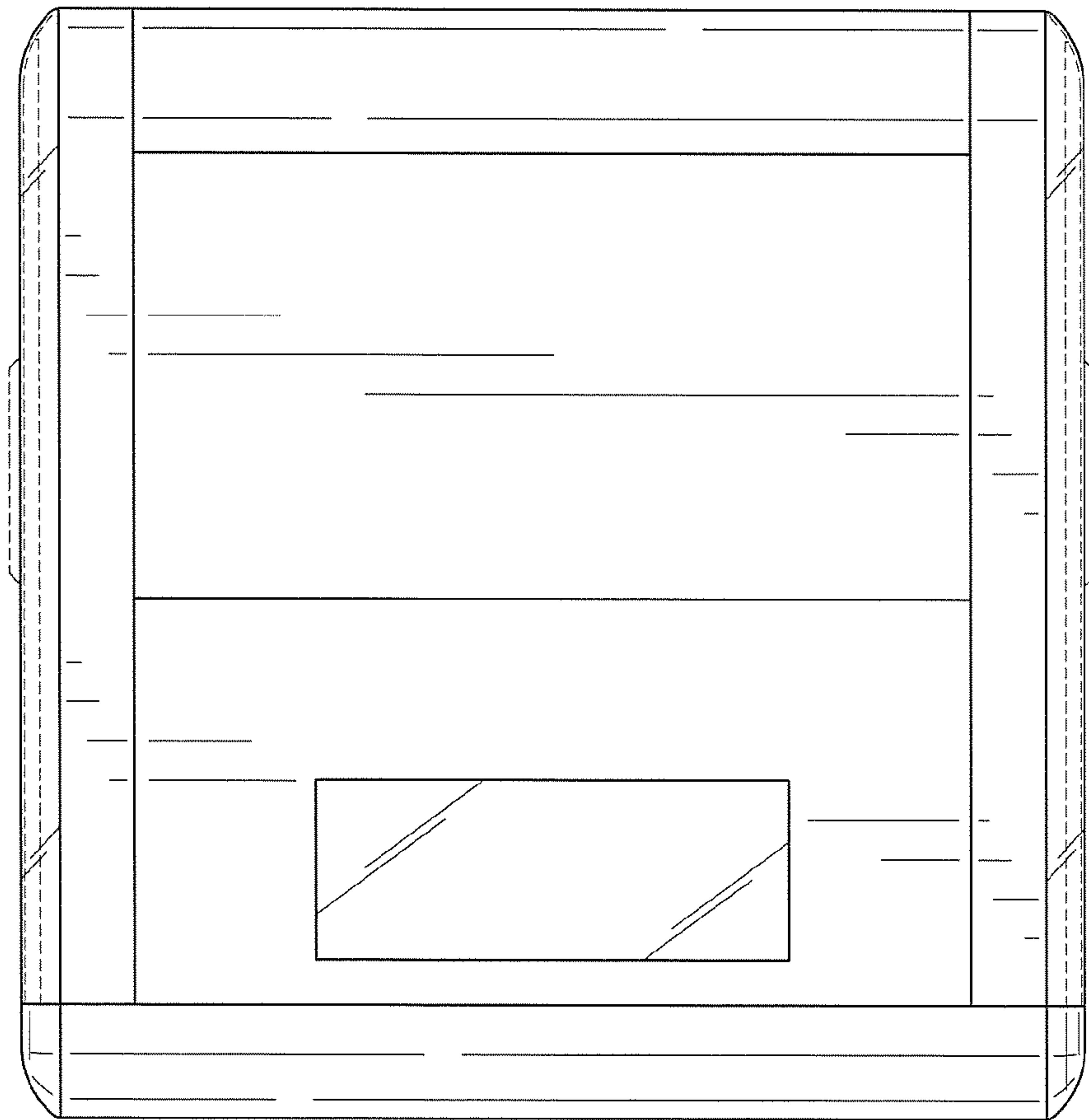


FIG. 4

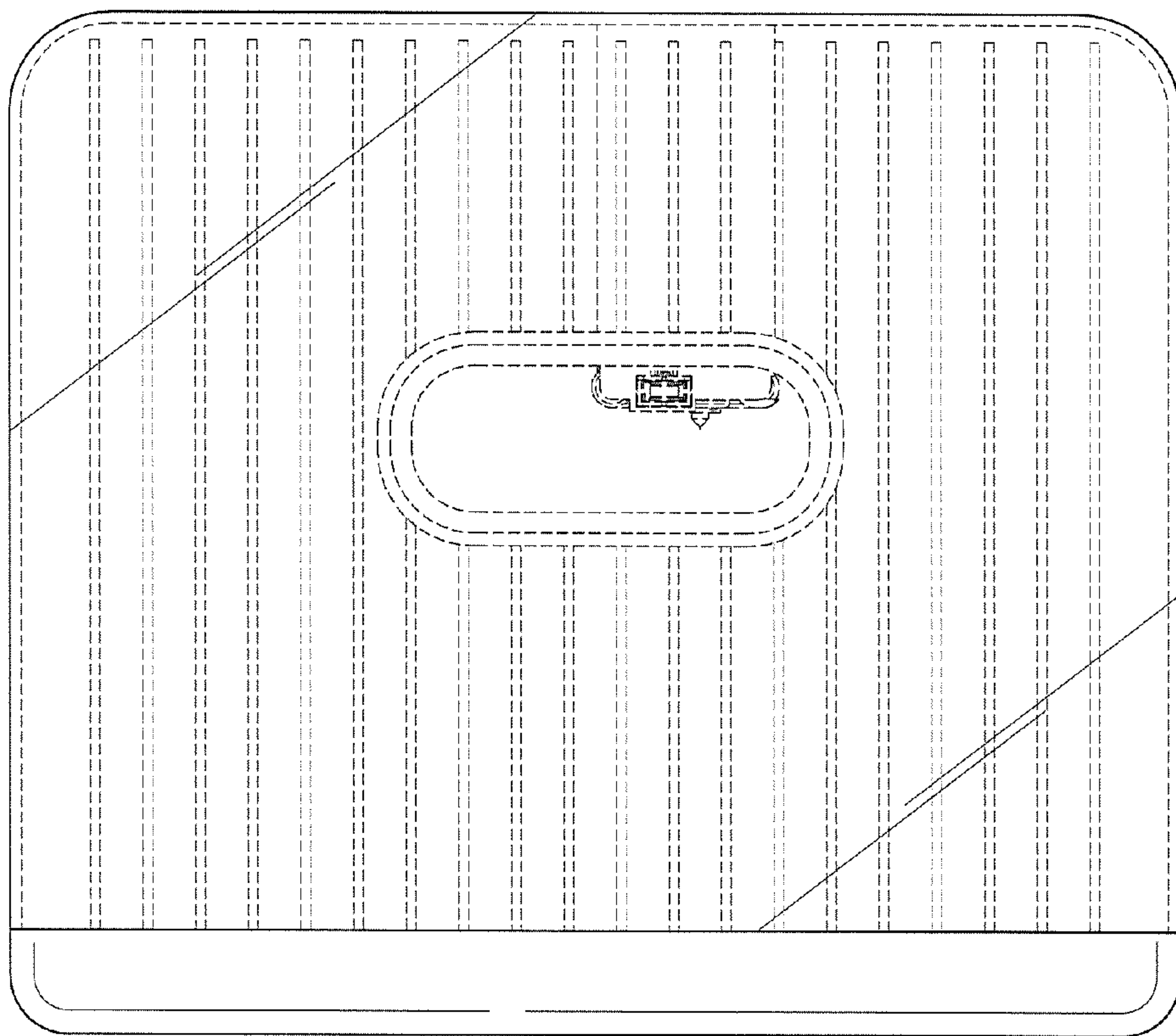


FIG. 5

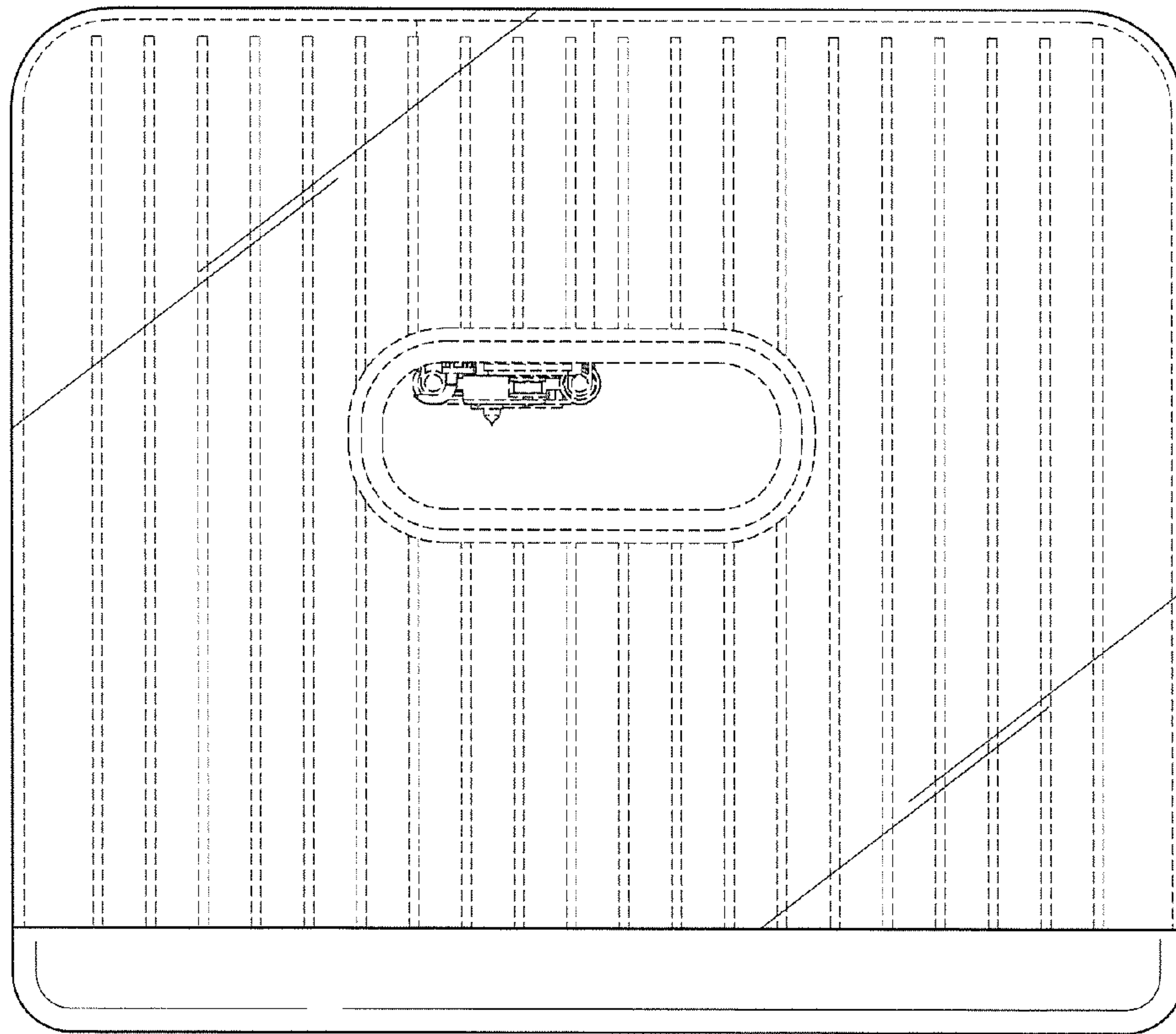


FIG. 6

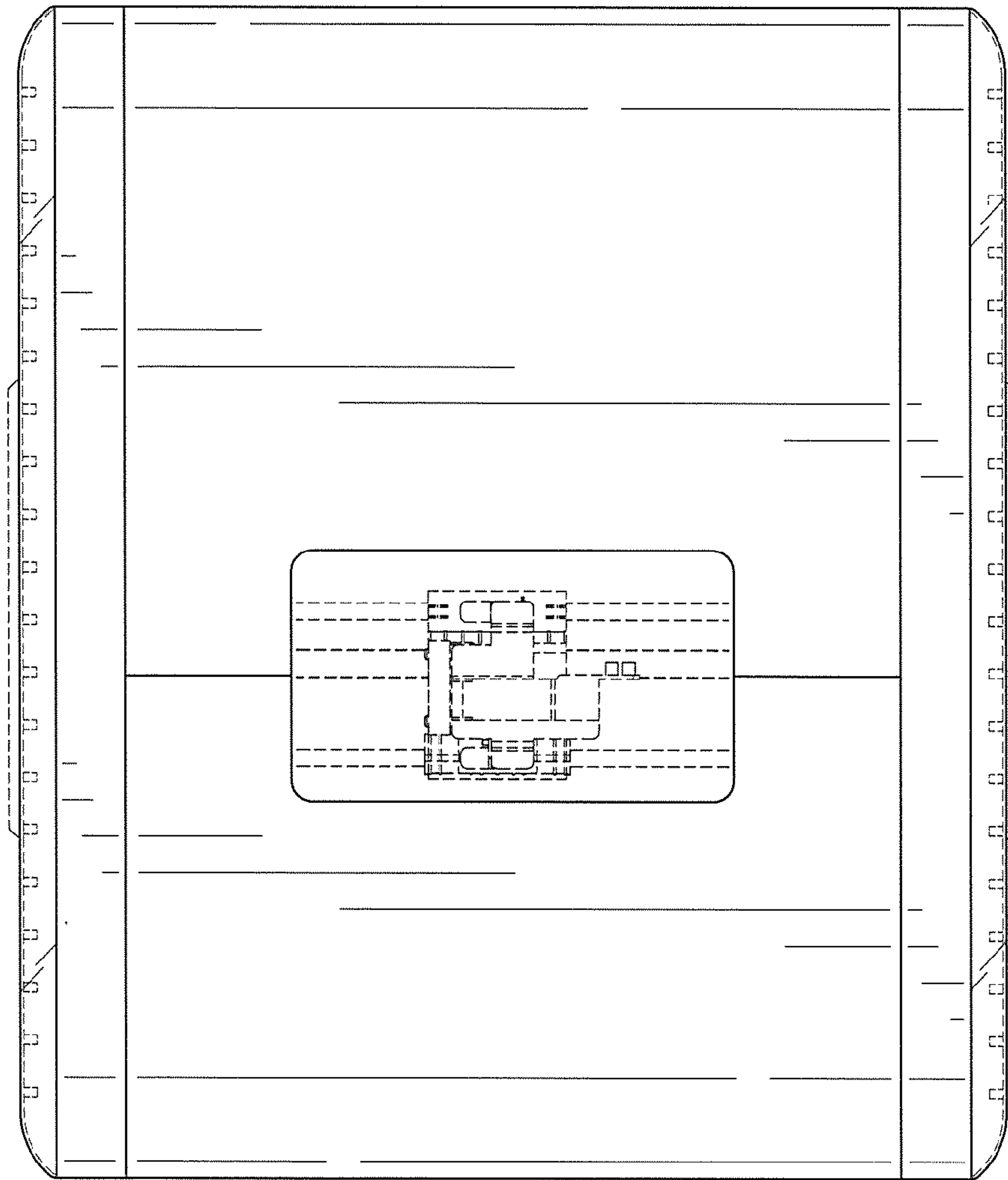


FIG. 7

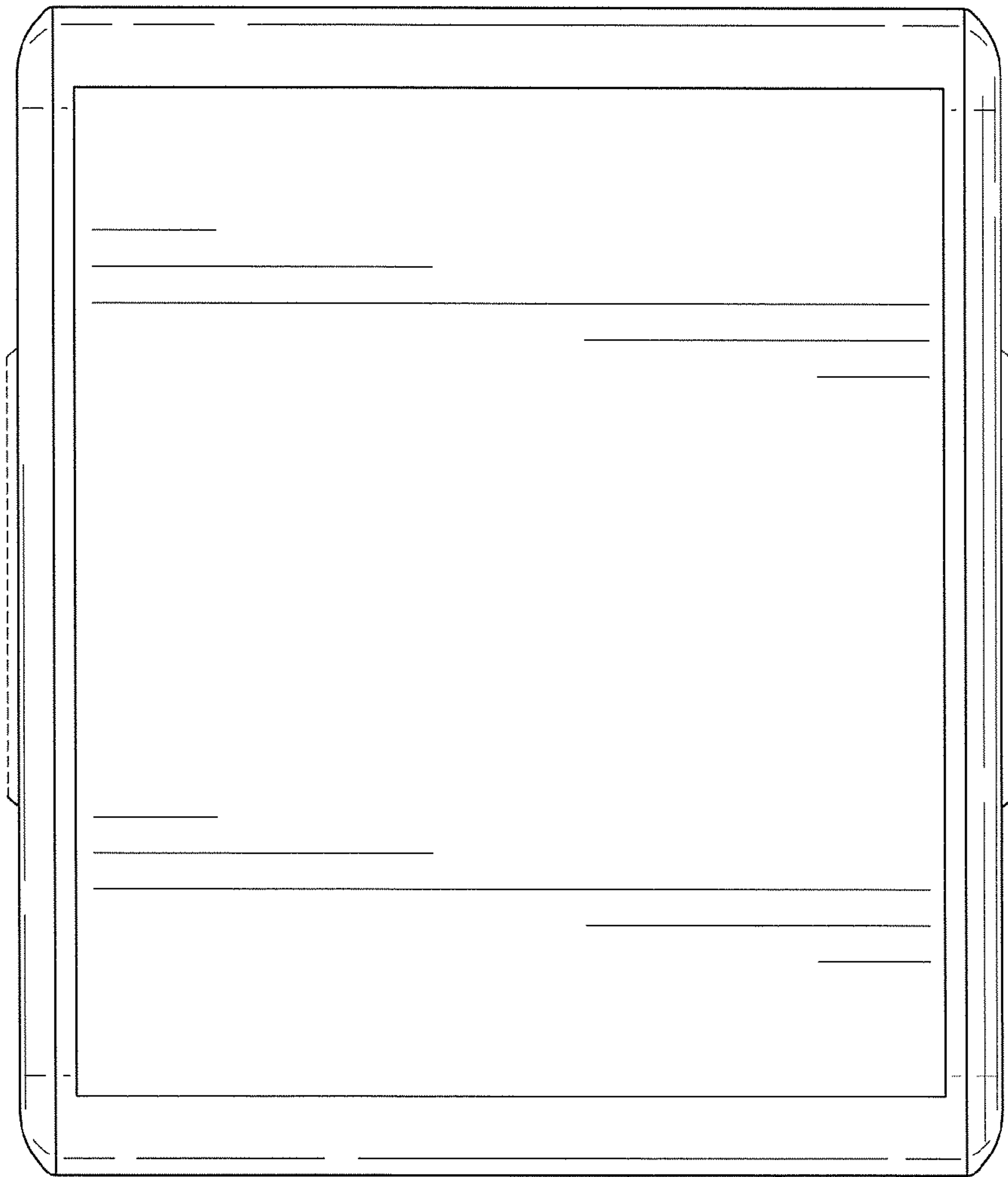


FIG. 8