



US00D734805S

(12) **United States Design Patent**
Le

(10) **Patent No.:** **US D734,805 S**
(45) **Date of Patent:** **** Jul. 21, 2015**

- (54) **INFLATABLE PHOTO BOOTH**
- (71) Applicant: **Tu Le**, Playa Vista, CA (US)
- (72) Inventor: **Tu Le**, Playa Vista, CA (US)
- (**) Term: **14 Years**
- (21) Appl. No.: **29/496,425**
- (22) Filed: **Jul. 11, 2014**
- (51) **LOC (10) Cl.** **16-01**
- (52) **U.S. Cl.**
USPC **D16/215**
- (58) **Field of Classification Search**
USPC D16/215, 237; D25/16, 25; 52/29;
396/2-5
See application file for complete search history.

D363,993 S * 11/1995 Johnson et al. D25/16
5,603,185 A * 2/1997 Murphy 52/2.17
D638,551 S * 5/2011 Gann D25/16

* cited by examiner

Primary Examiner — Adir Aronovich

(74) *Attorney, Agent, or Firm* — Rutan & Tucker LLP; John K. Fitzgerald

(57) **CLAIM**

The ornamental design for an inflatable photo booth, as shown and described.

DESCRIPTION

FIG. 1 is a top, rear and right side perspective view of an inflatable photo booth showing my new design;
FIG. 2 is a right side elevational view thereof;
FIG. 3 is a left side elevational view thereof;
FIG. 4 is a front elevational view thereof;
FIG. 5 is a rear elevational view thereof; and,
FIG. 6 is a top plan view thereof.

The broken lines portions of a photo booth representing the contour of inner wall structures are shown for illustrative purposes only and form no part of the claimed design.

(56) **References Cited**

U.S. PATENT DOCUMENTS

3,864,708 A * 2/1975 Allen 396/2
D241,333 S * 9/1976 Wheeler D25/16
4,959,670 A * 9/1990 Thayer, Jr. 396/2
D324,873 S * 3/1992 Thayer D25/16
5,262,815 A * 11/1993 Aumiller 396/2

1 Claim, 6 Drawing Sheets

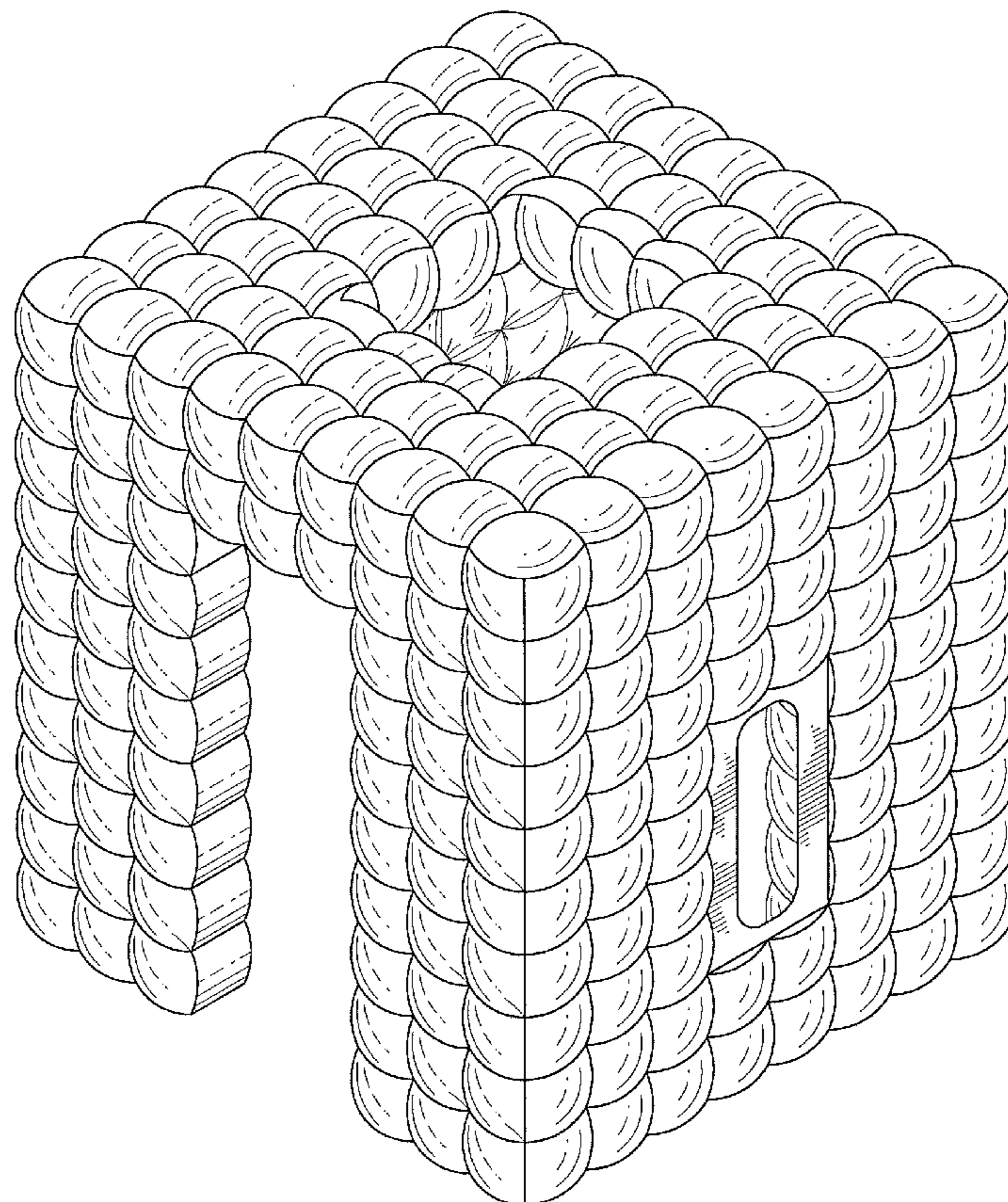
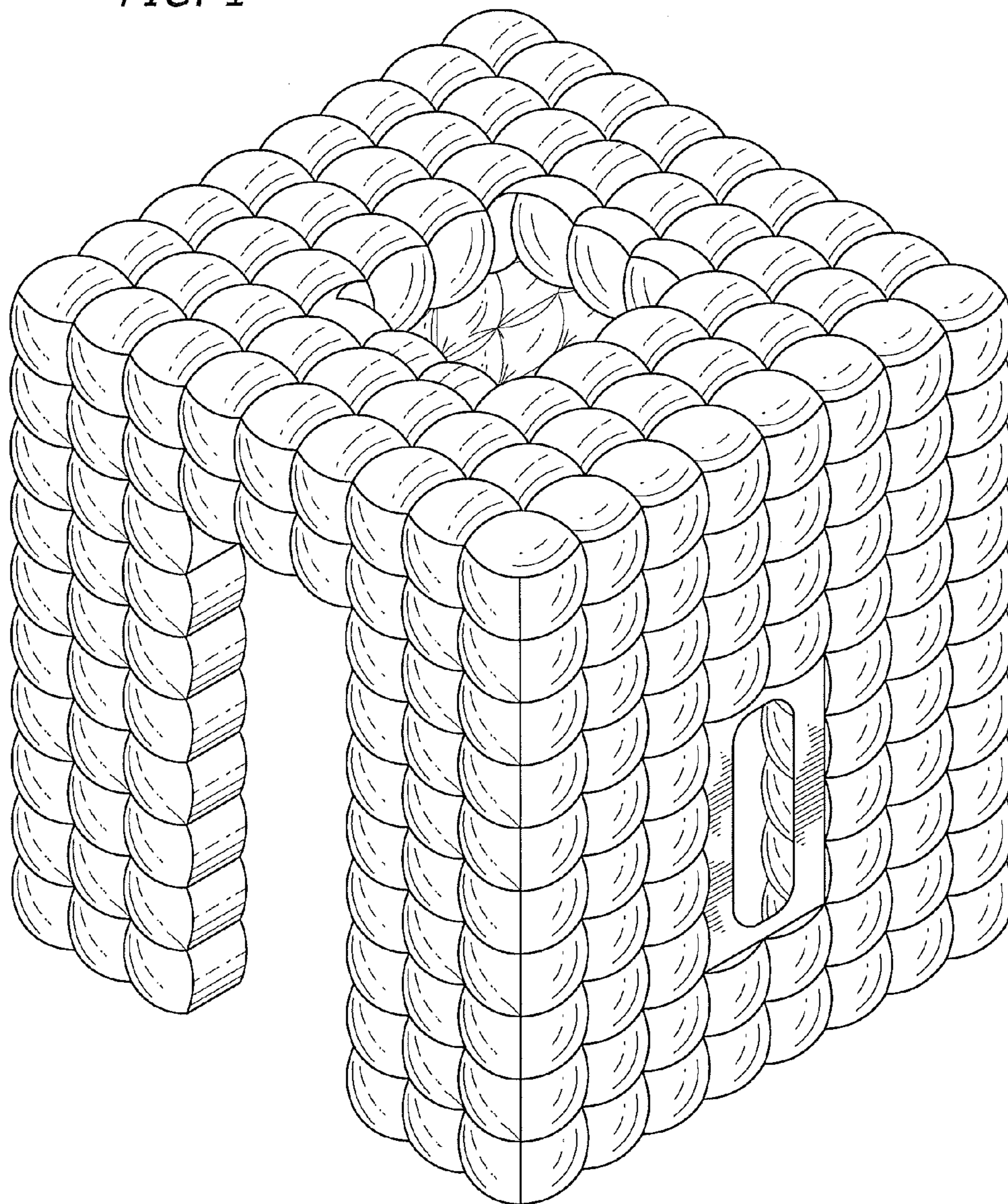


FIG. 1



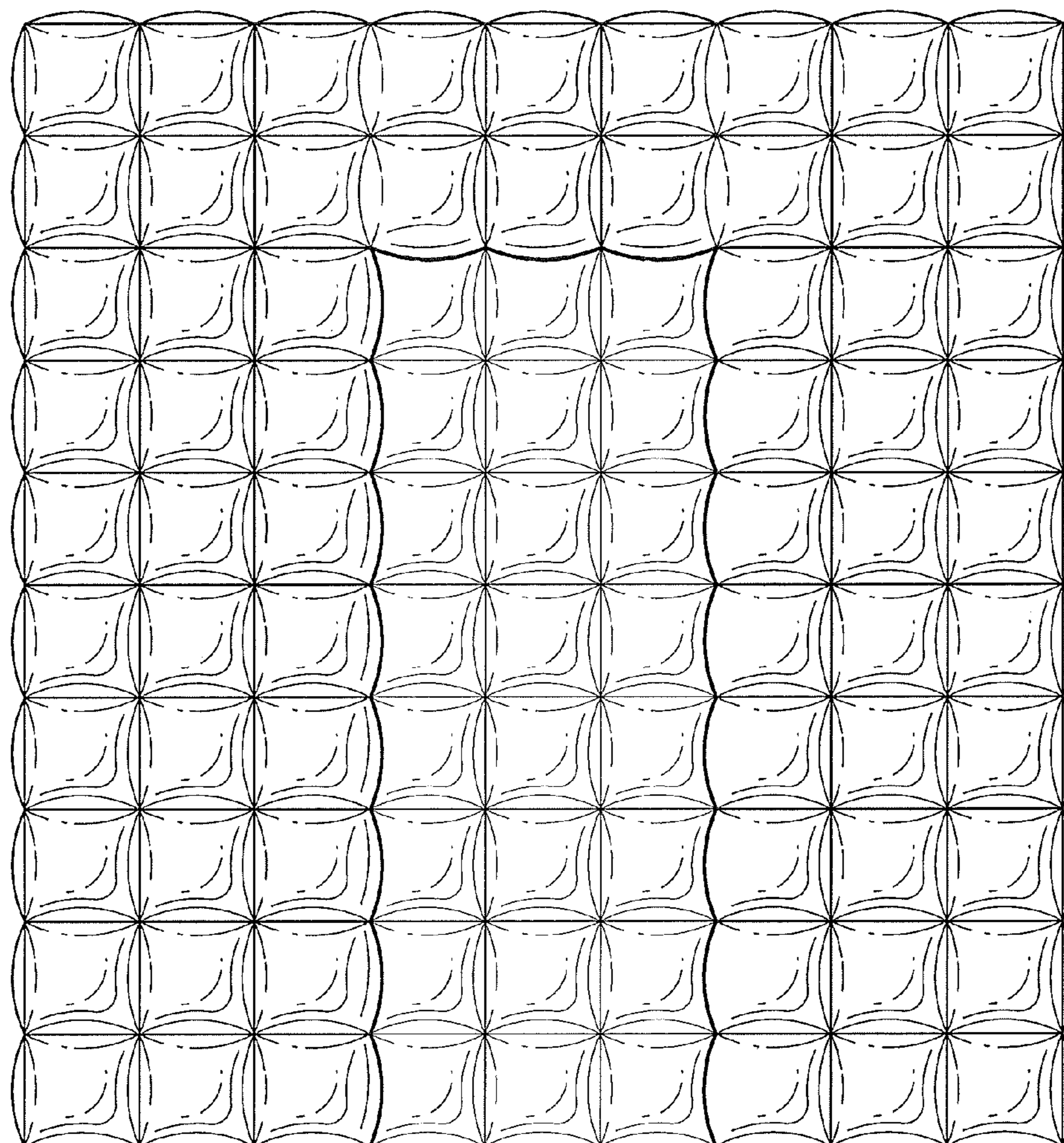


FIG. 2

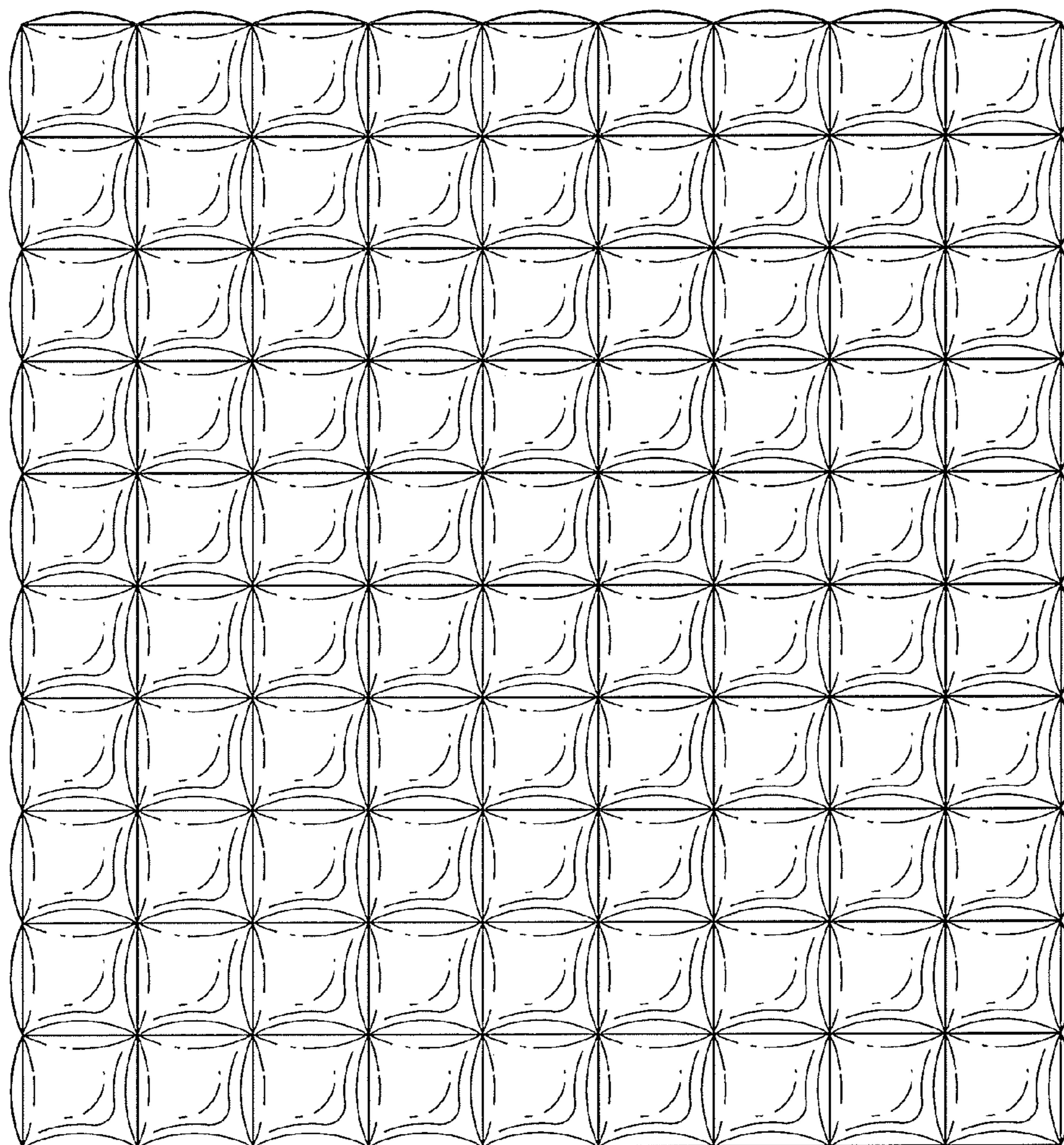


FIG. 3

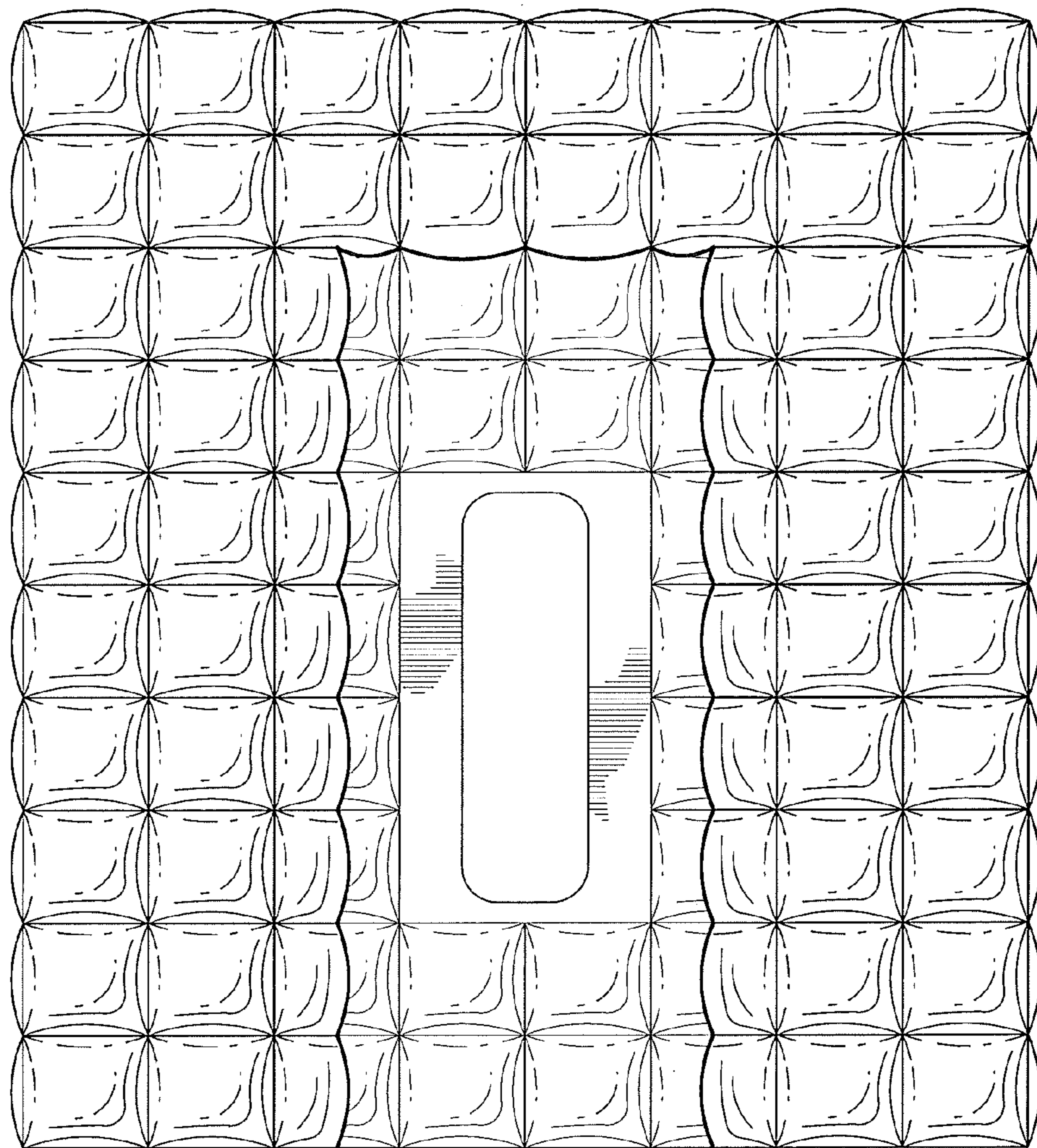


FIG. 4

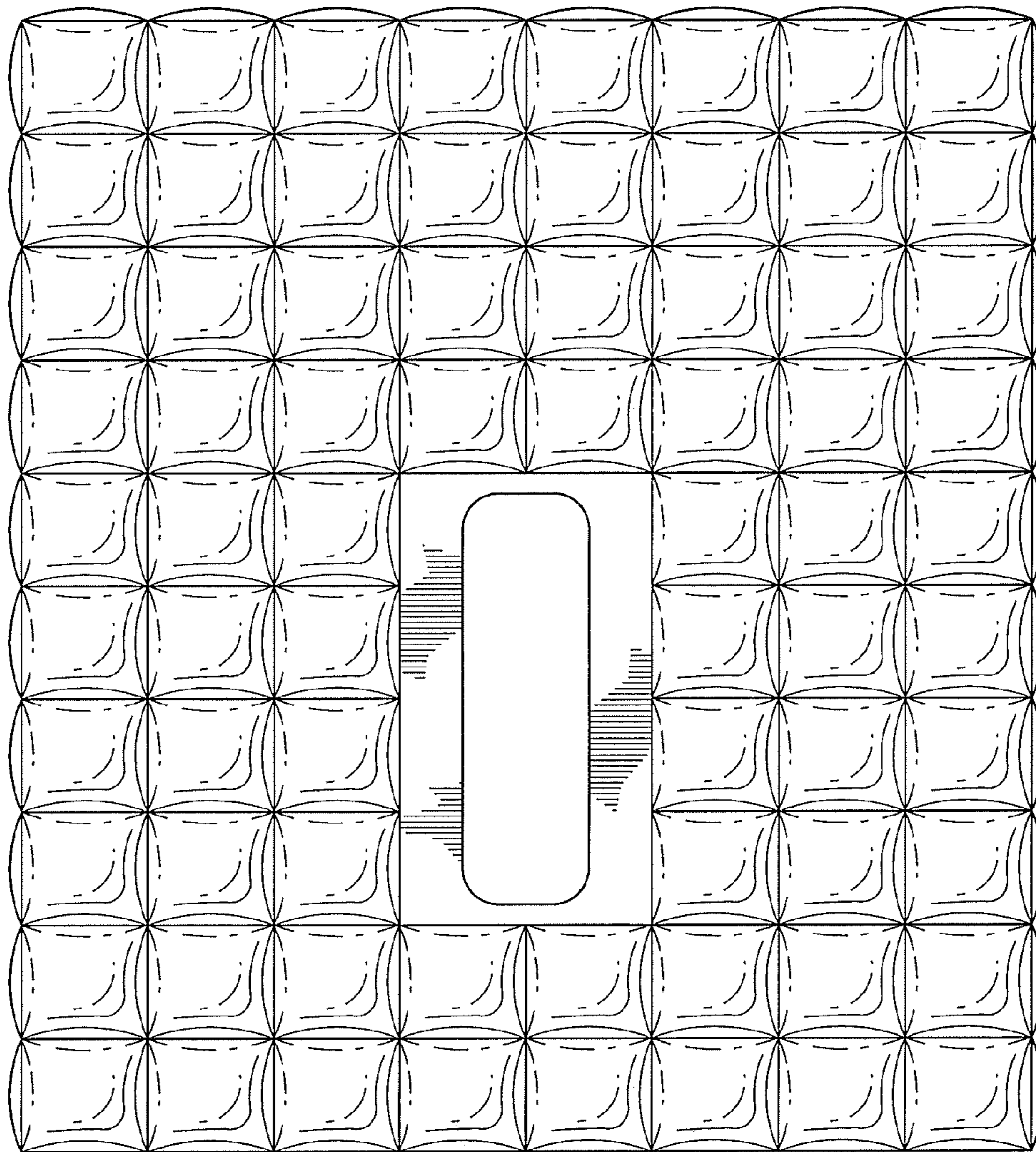


FIG. 5

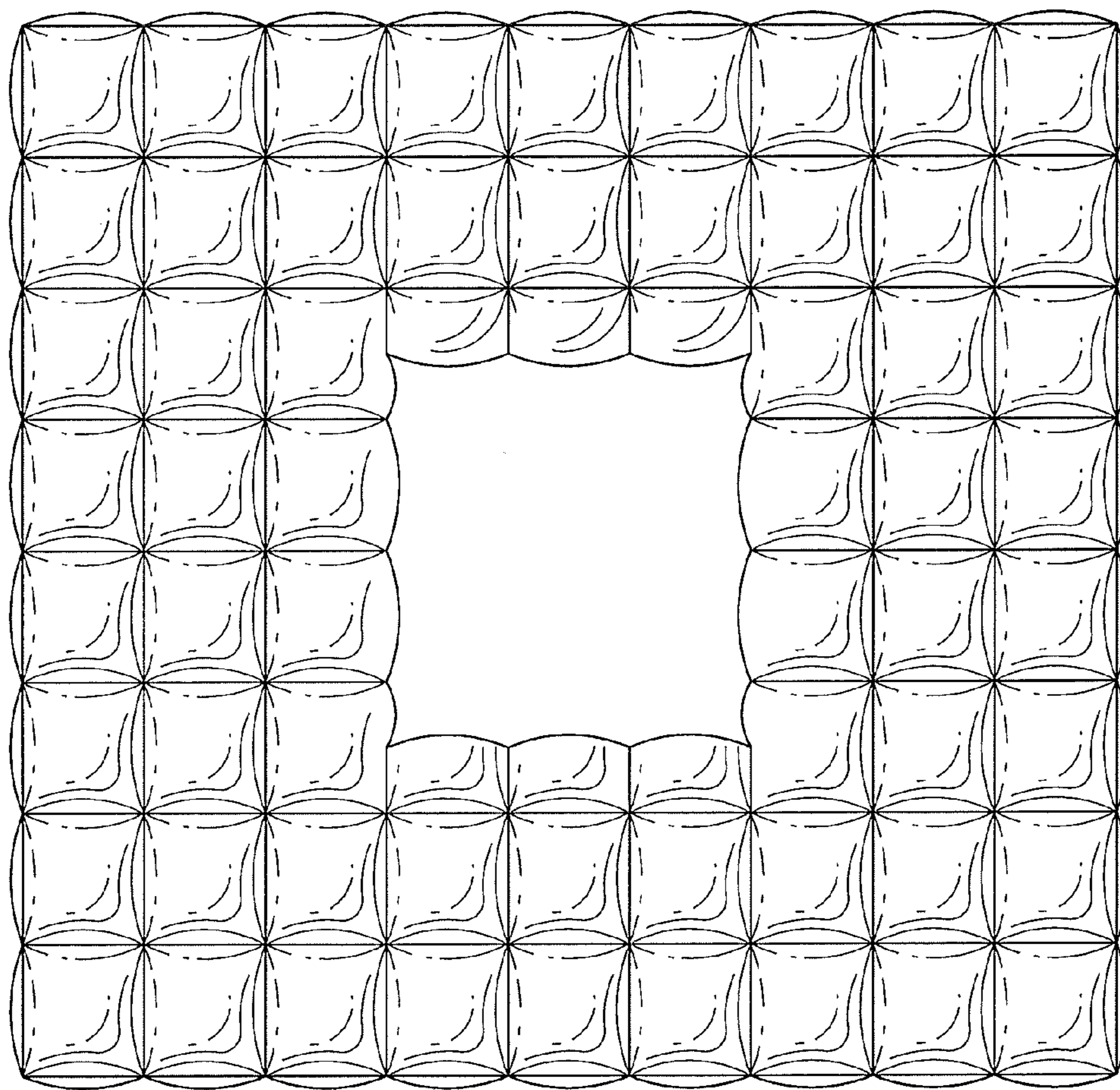


FIG. 6