

US00D734803S

(12) **United States Design Patent**
Hällgren

(10) **Patent No.:** **US D734,803 S**

(45) **Date of Patent:** **** Jul. 21, 2015**

(54) **CAMERA MODULE**

(71) Applicant: **FLIR Systems AB**, Täby (SE)

(72) Inventor: **Tomas Hällgren**, Bromma (SE)

(73) Assignee: **FLIR Systems AB**, Täby (SE)

(**) Term: **14 Years**

(21) Appl. No.: **29/507,797**

(22) Filed: **Oct. 30, 2014**

(51) **LOC (10) Cl.** **16-01**

(52) **U.S. Cl.**
USPC **D16/202**

(58) **Field of Classification Search**
USPC D16/200, 202–206, 208–209, 212, 218,
D16/219; 348/373–376; 396/448, 535,
396/539–541
CPC G03B 15/03; G03B 17/02; G03B 17/04;
G03B 17/56; G03B 19/04; H04N 5/2251;
H04N 5/2252; H04N 5/2253; H04N 5/2254;
H04N 2101/00

See application file for complete search history.

(56) **References Cited**

U.S. PATENT DOCUMENTS

D540,362 S * 4/2007 Yamagishi D16/218
D585,083 S * 1/2009 Nakajima D16/202
D605,675 S * 12/2009 Sakaguchi et al. D16/202
D639,838 S * 6/2011 Imai D16/202

D648,765 S * 11/2011 Tsukamoto D16/202
D661,330 S * 6/2012 Yu et al. D16/202
D665,003 S * 8/2012 Sakai D16/202
D669,516 S * 10/2012 Nakamura D16/202
8,537,275 B2 * 9/2013 Odagaki 348/374
D696,326 S * 12/2013 Sato D16/200
D706,851 S * 6/2014 Sakai D16/202
D724,640 S * 3/2015 Ikegame D16/202
2011/0097070 A1 * 4/2011 Kurokawa et al. 396/448

* cited by examiner

Primary Examiner — Susan E Krakower

Assistant Examiner — Ramzi Almatrahi

(74) *Attorney, Agent, or Firm* — Haynes and Boone, LLP

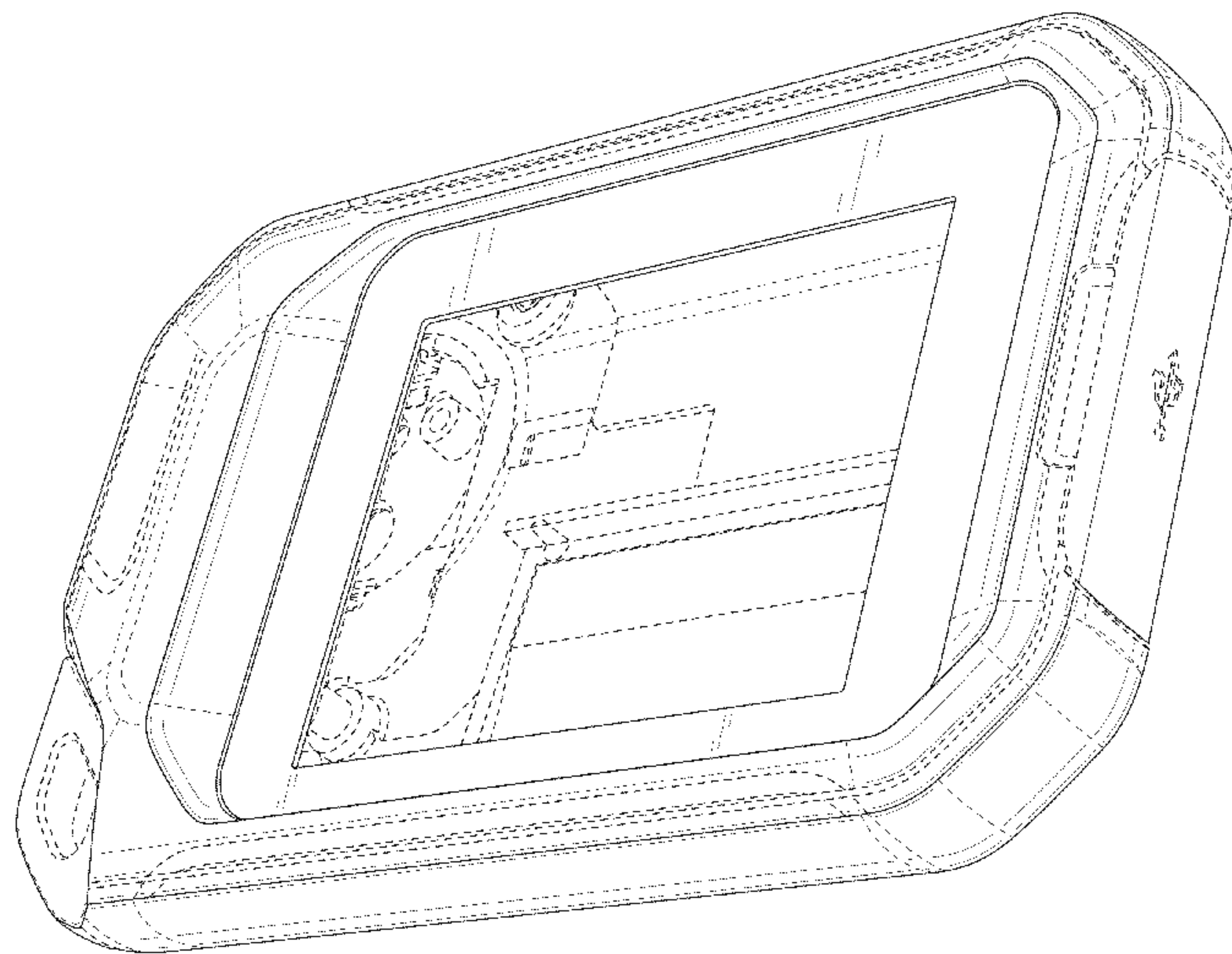
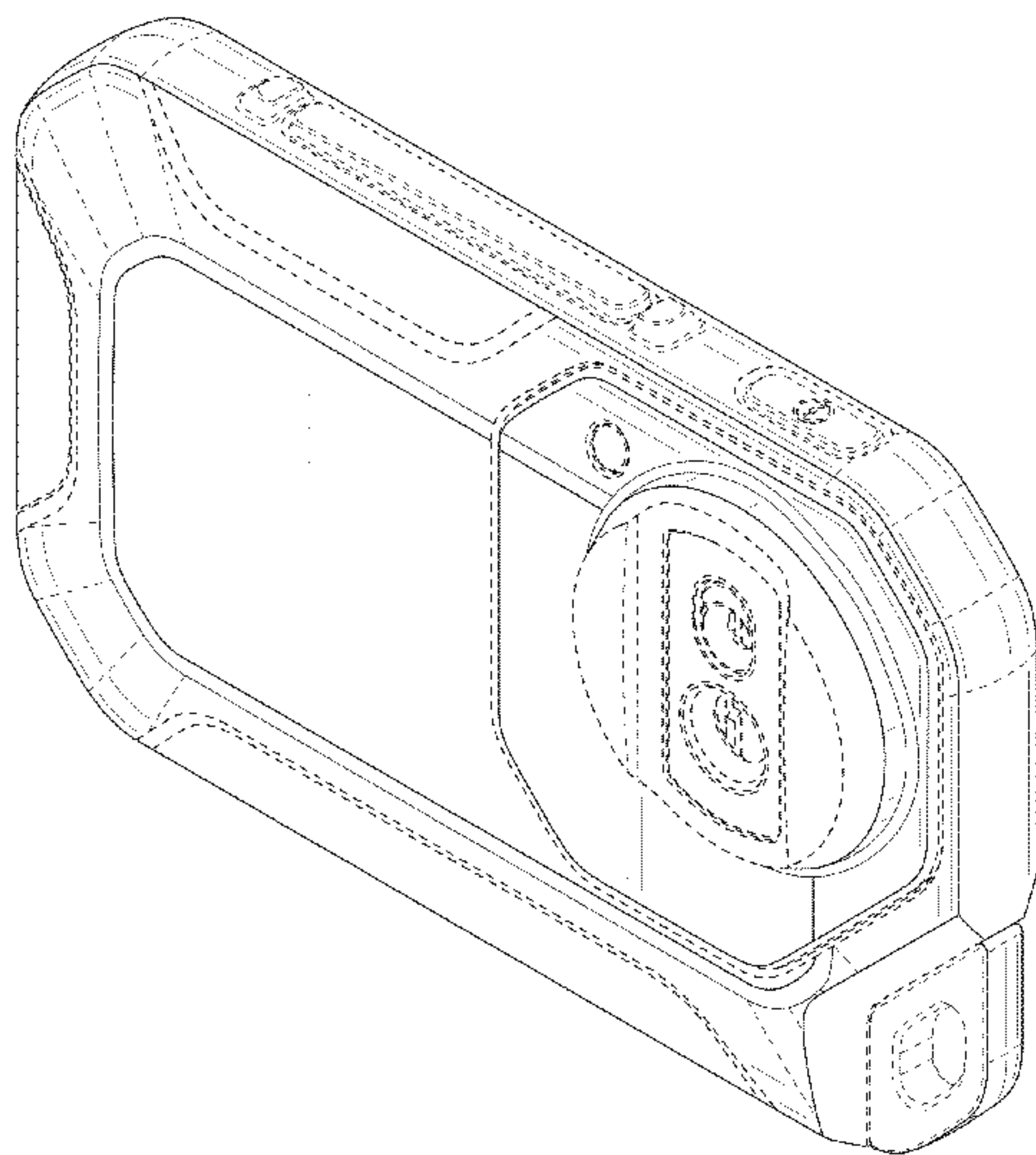
(57) **CLAIM**

The ornamental design for a camera module, as shown and described.

DESCRIPTION

FIG. 1 is a top-front-left perspective view of a camera module showing my new design;
FIG. 2 is a front elevational view thereof;
FIG. 3 is a rear elevational view thereof;
FIG. 4 is a right side elevational view thereof;
FIG. 5 is a left side elevational view thereof;
FIG. 6 is a top plan view thereof;
FIG. 7 is a bottom plan view thereof; and,
FIG. 8 is a bottom-rear-right perspective view thereof.
The broken lines depict portions of a camera module in which the design is embodied and form no part of the claimed design.

1 Claim, 6 Drawing Sheets



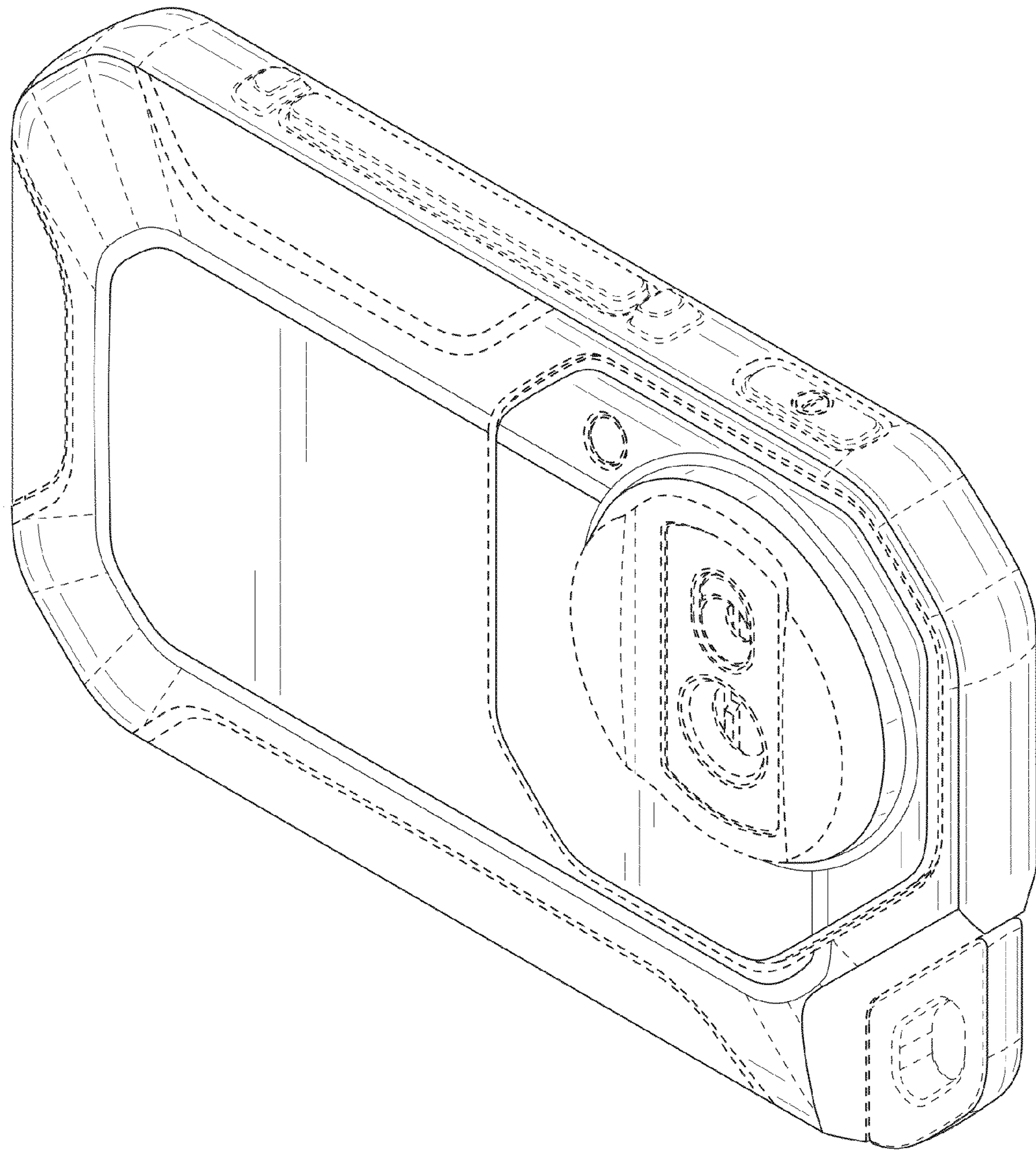


FIG. 1

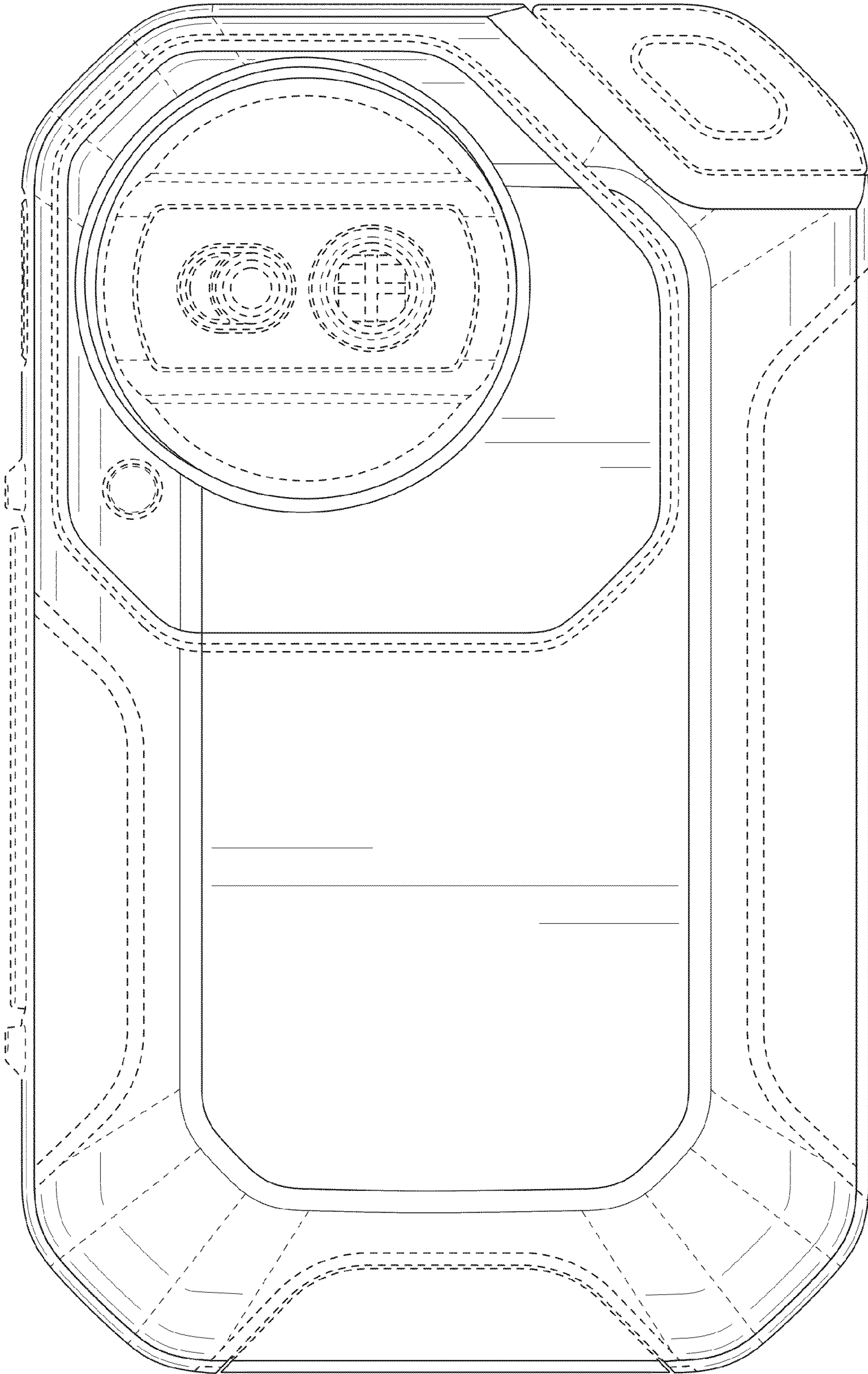


FIG. 2

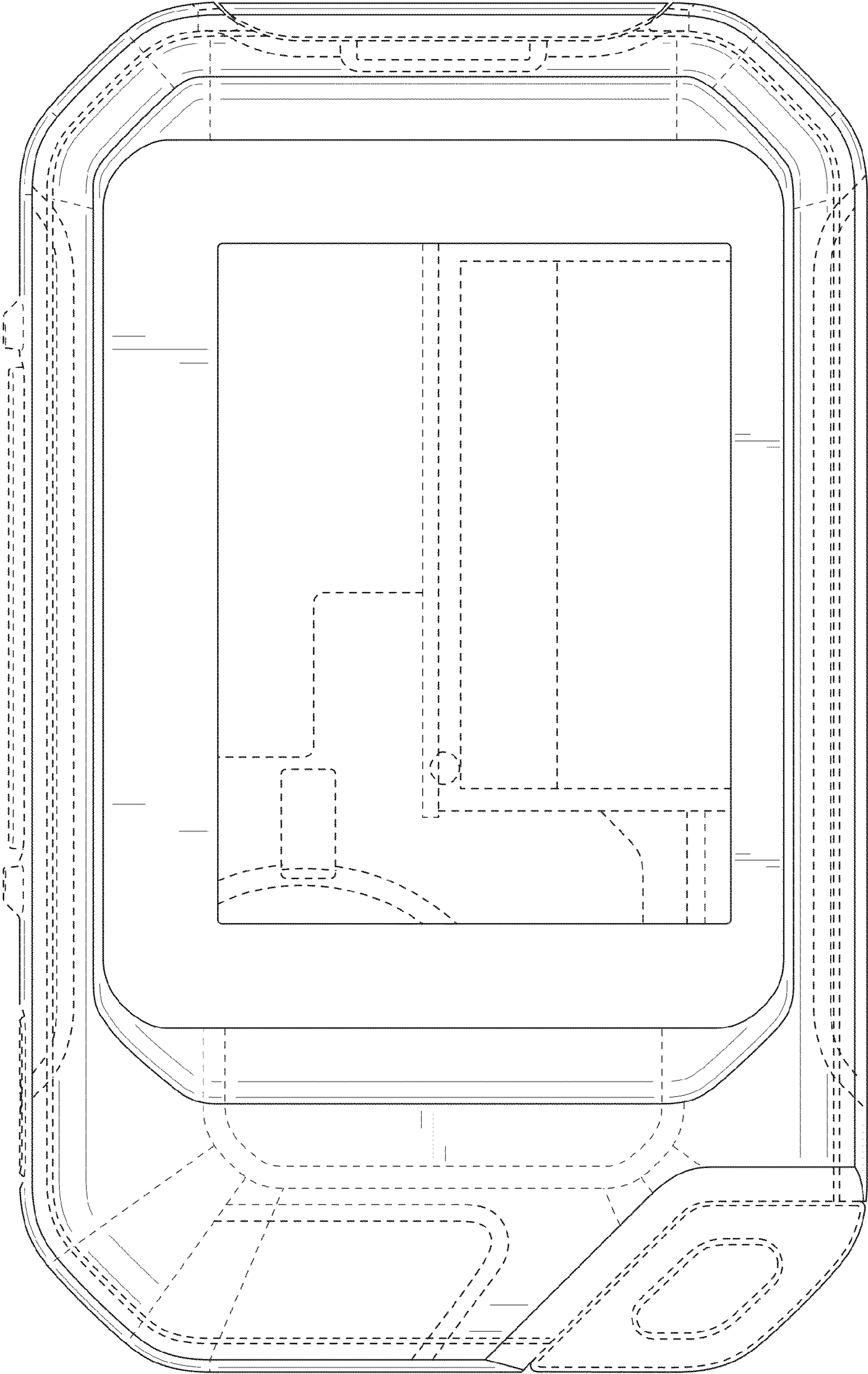


FIG. 3

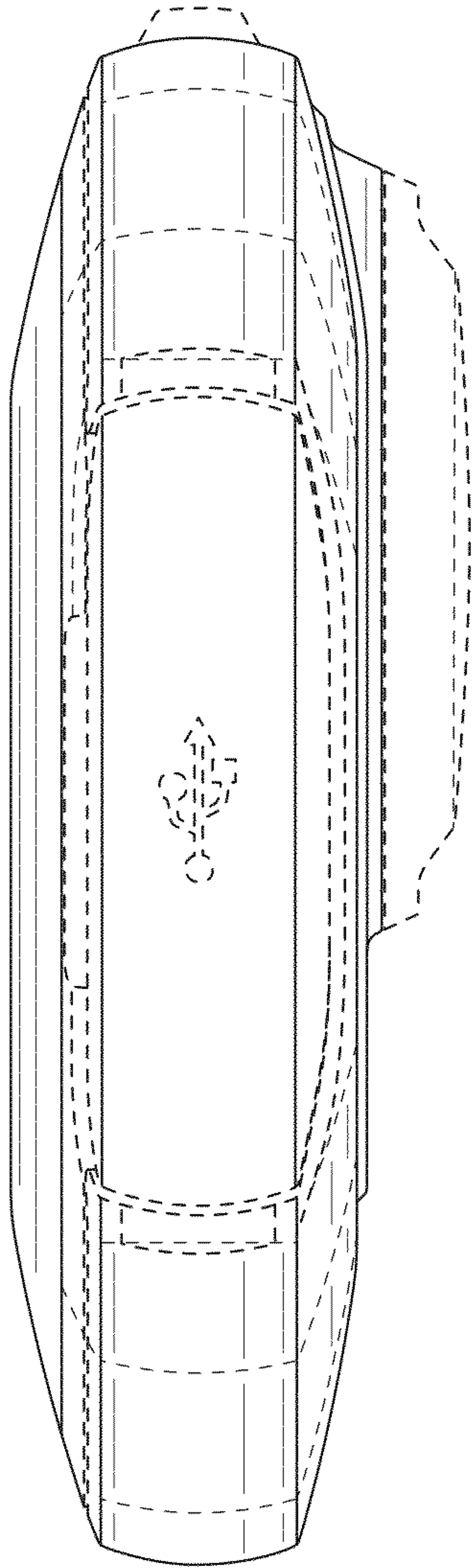


FIG. 4

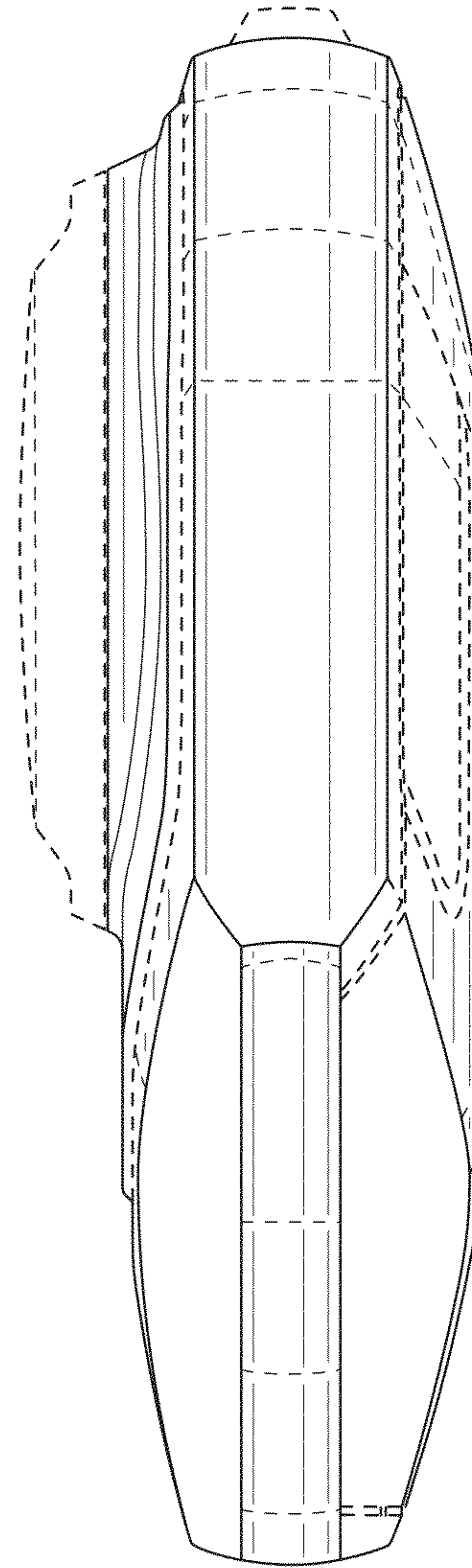


FIG. 5

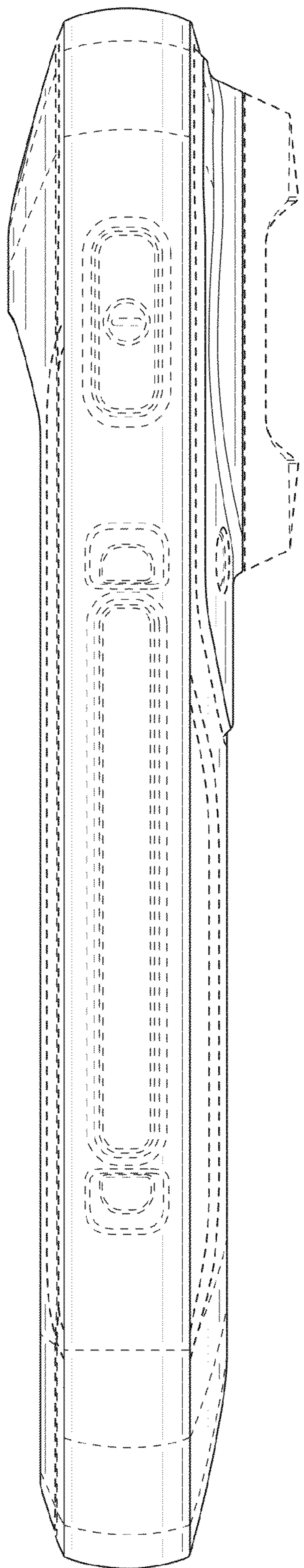


FIG. 6

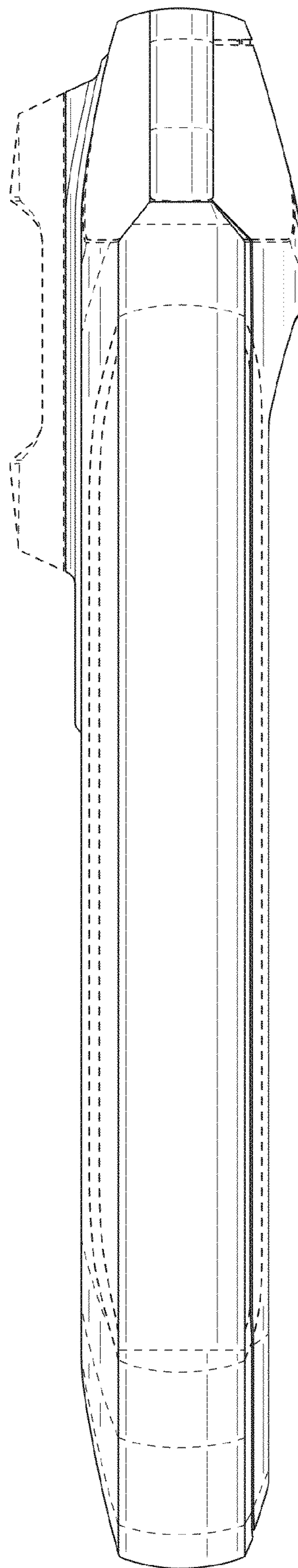


FIG. 7

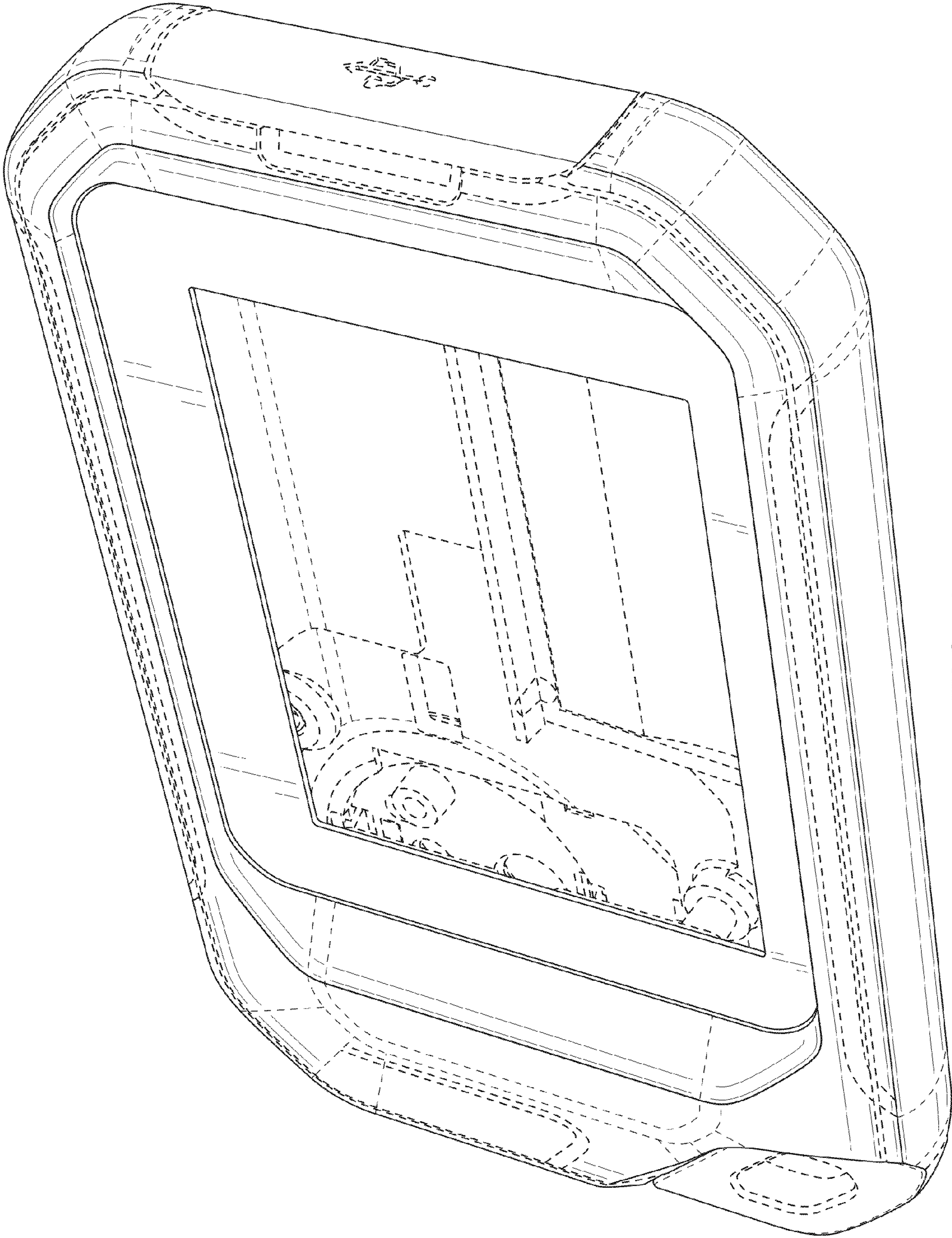


FIG. 8