



US00D734802S

(12) **United States Design Patent**
Osada

(10) **Patent No.:** **US D734,802 S**
(45) **Date of Patent:** **** Jul. 21, 2015**

(54) **DIGITAL CAMERA**

(56) **References Cited**

(71) Applicant: **OLYMPUS IMAGING CORP.**,
Shibuya-ku, Tokyo (JP)

U.S. PATENT DOCUMENTS

(72) Inventor: **Reisuke Osada**, Hachioji (JP)

D628,220	S	*	11/2010	Lee	D16/202
7,929,859	B2	*	4/2011	Saiki	396/535
D641,033	S	*	7/2011	Nohara	D16/202
D662,958	S	*	7/2012	Fujita	D16/202
D695,328	S	*	12/2013	Sul	D16/202
D712,947	S	*	9/2014	Chai	D16/202
D712,948	S	*	9/2014	Chai	D16/202
D713,869	S	*	9/2014	Kim	D16/202

(73) Assignee: **OLYMPUS IMAGING CORP.**, Tokyo
(JP)

* cited by examiner

(**) Term: **14 Years**

Primary Examiner — Adir Aronovich

(21) Appl. No.: **29/487,930**

(74) *Attorney, Agent, or Firm* — Holtz, Holtz, Goodman & Chick PC

(22) Filed: **Apr. 14, 2014**

(57) **CLAIM**

(30) **Foreign Application Priority Data**

The ornamental design for a digital camera, as shown.

Jan. 27, 2014 (JP) 2014-001435

DESCRIPTION

(51) **LOC (10) Cl.** **16-01**

FIG. 1 is a front, top and left side perspective view of a digital camera showing my new design.
FIG. 2 is a front elevational view thereof;
FIG. 3 is a rear elevational view thereof;
FIG. 4 is a top plan view thereof;
FIG. 5 is a bottom plan view thereof;
FIG. 6 is a right side elevational view thereof; and,
FIG. 7 is a left side elevational view thereof.

(52) **U.S. Cl.**

USPC **D16/202**

(58) **Field of Classification Search**

USPC D16/200, 202, 204, 208, 218, 219;
348/373-376; 358/909.1; 396/535-541

See application file for complete search history.

1 Claim, 5 Drawing Sheets

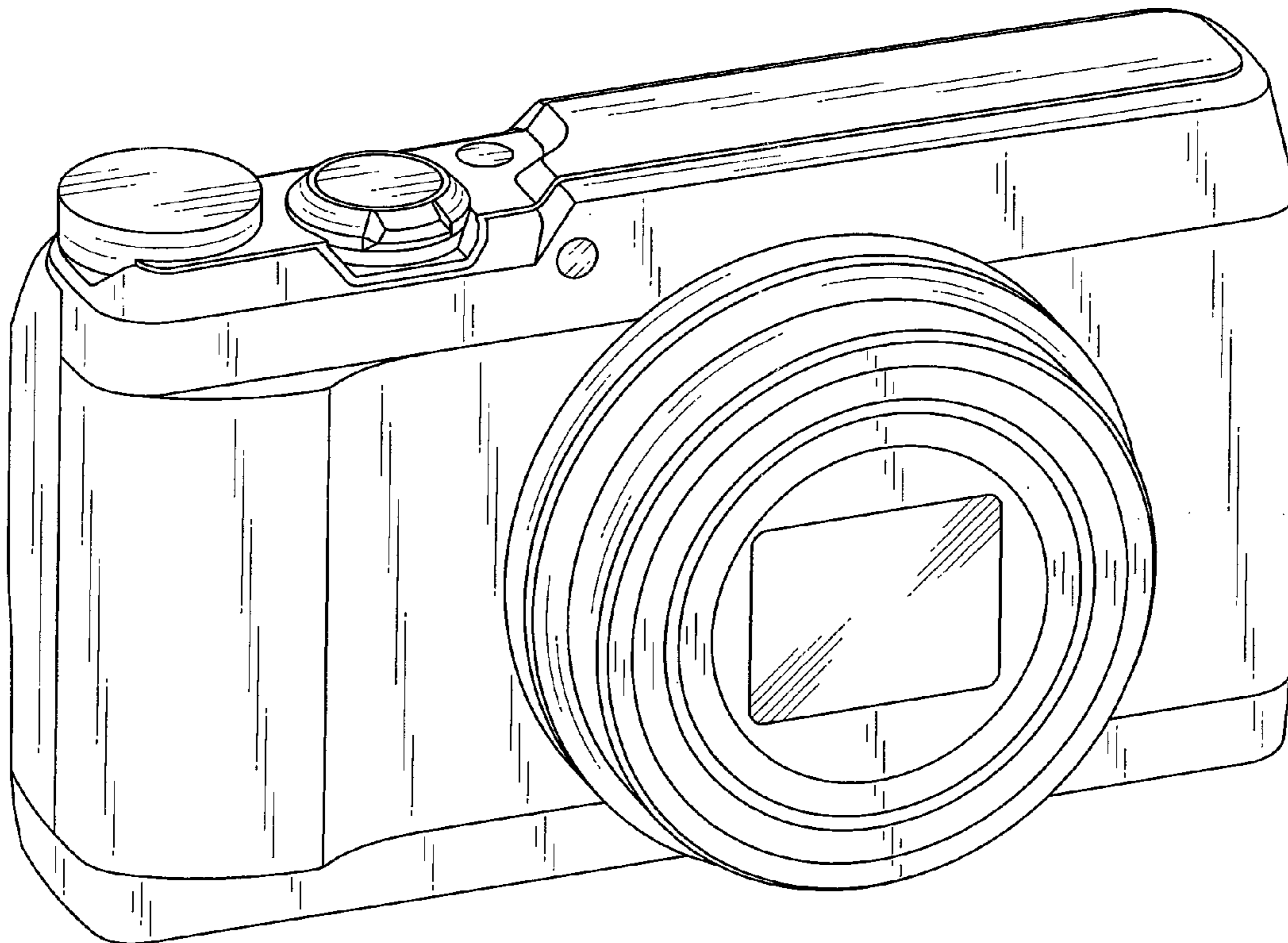


FIG.1

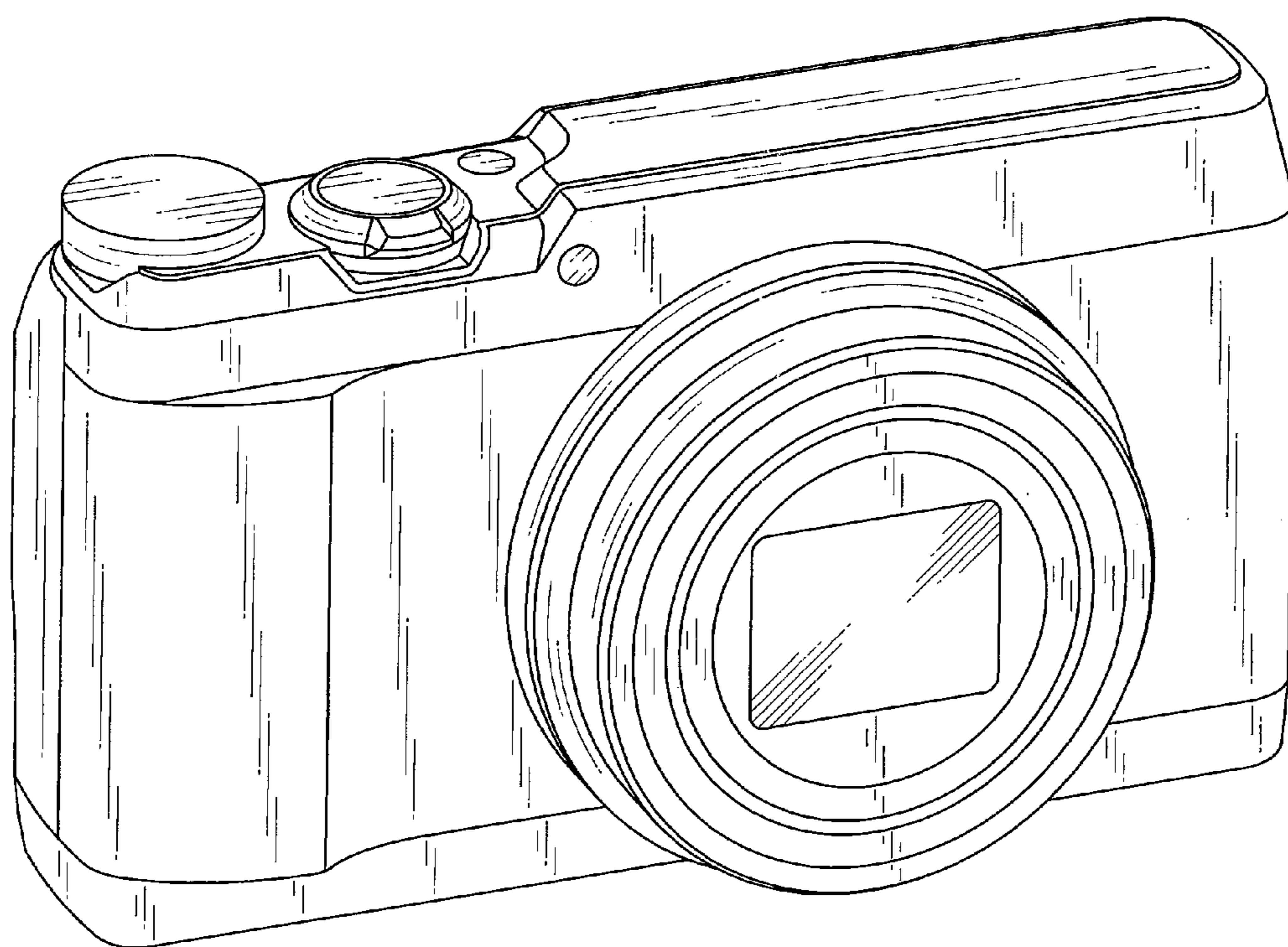


FIG.2

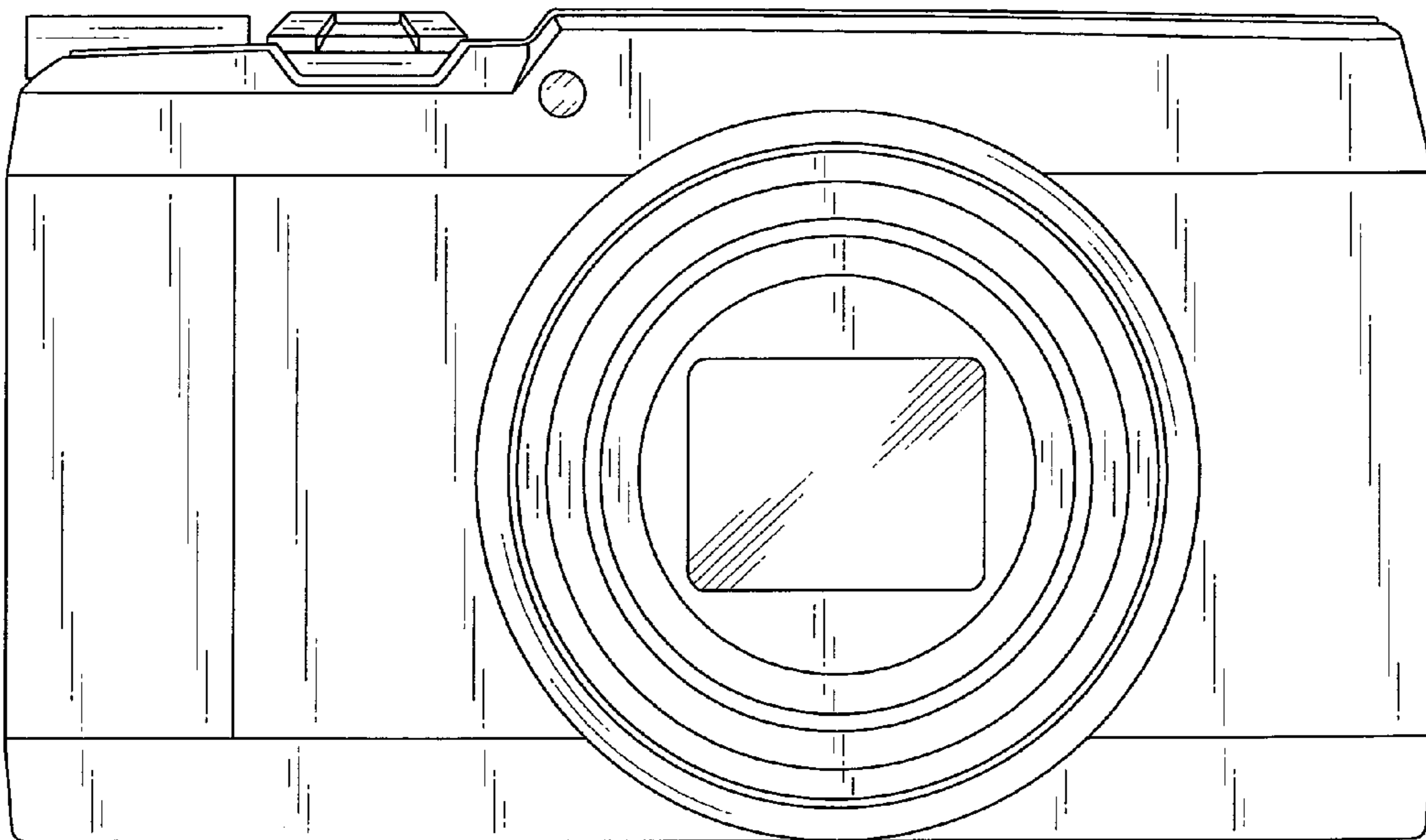


FIG.3

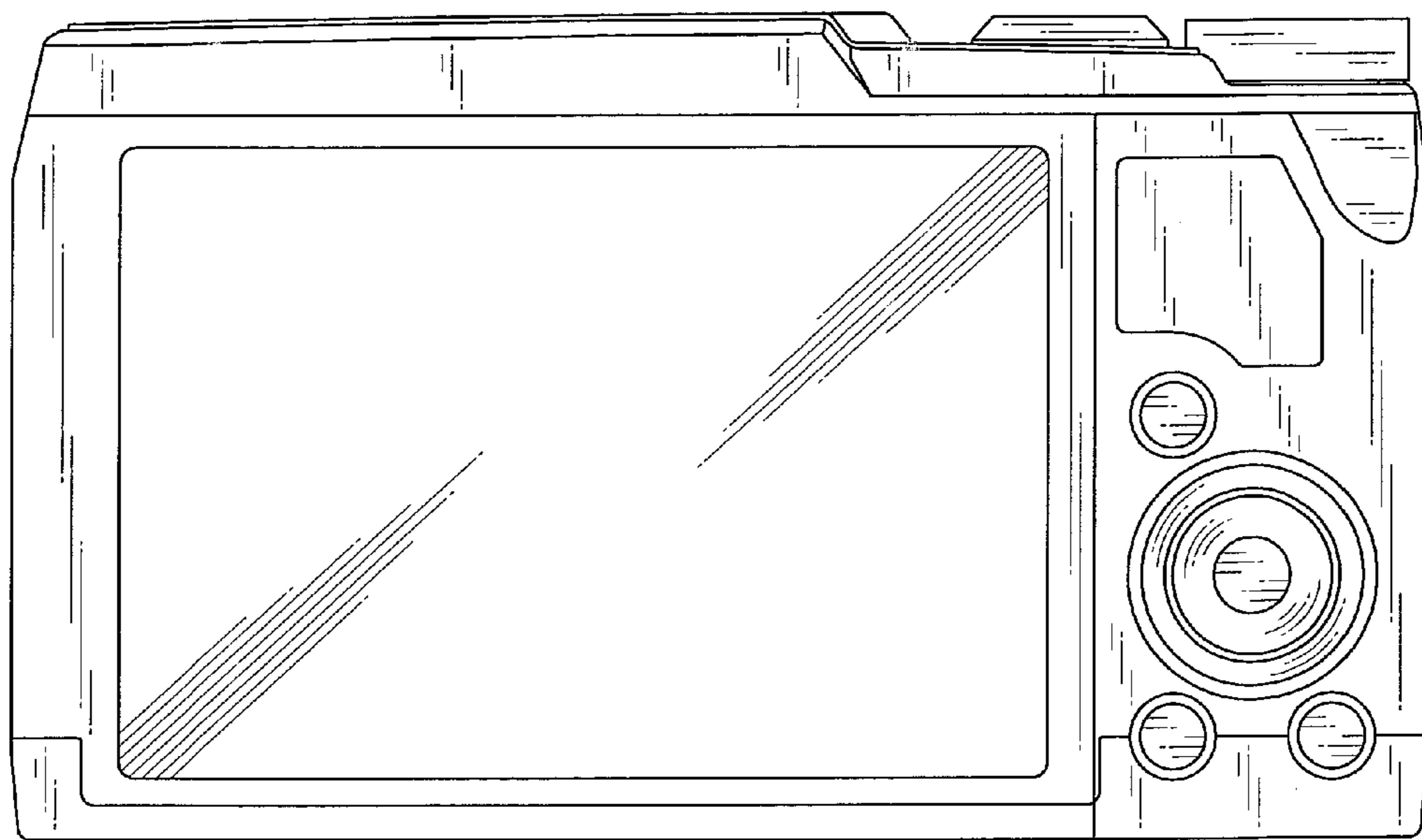


FIG.4

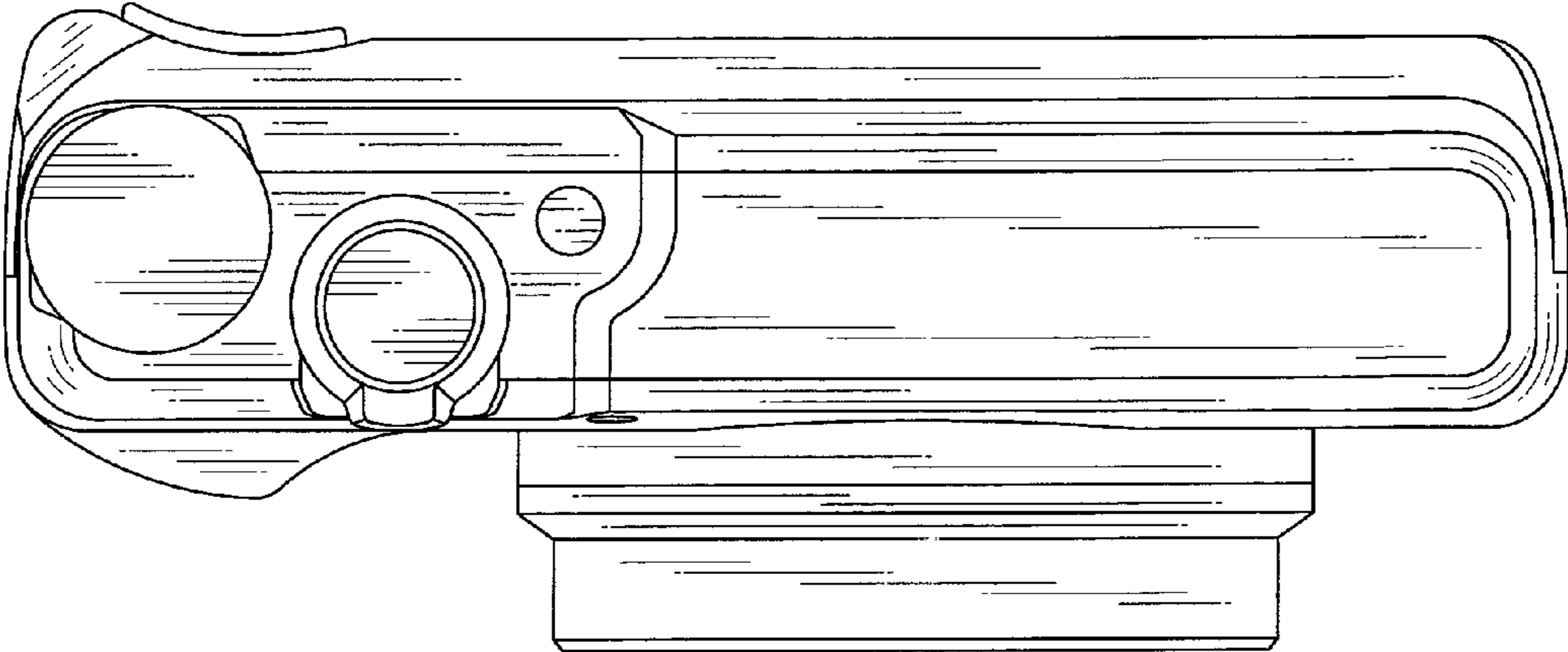


FIG.5

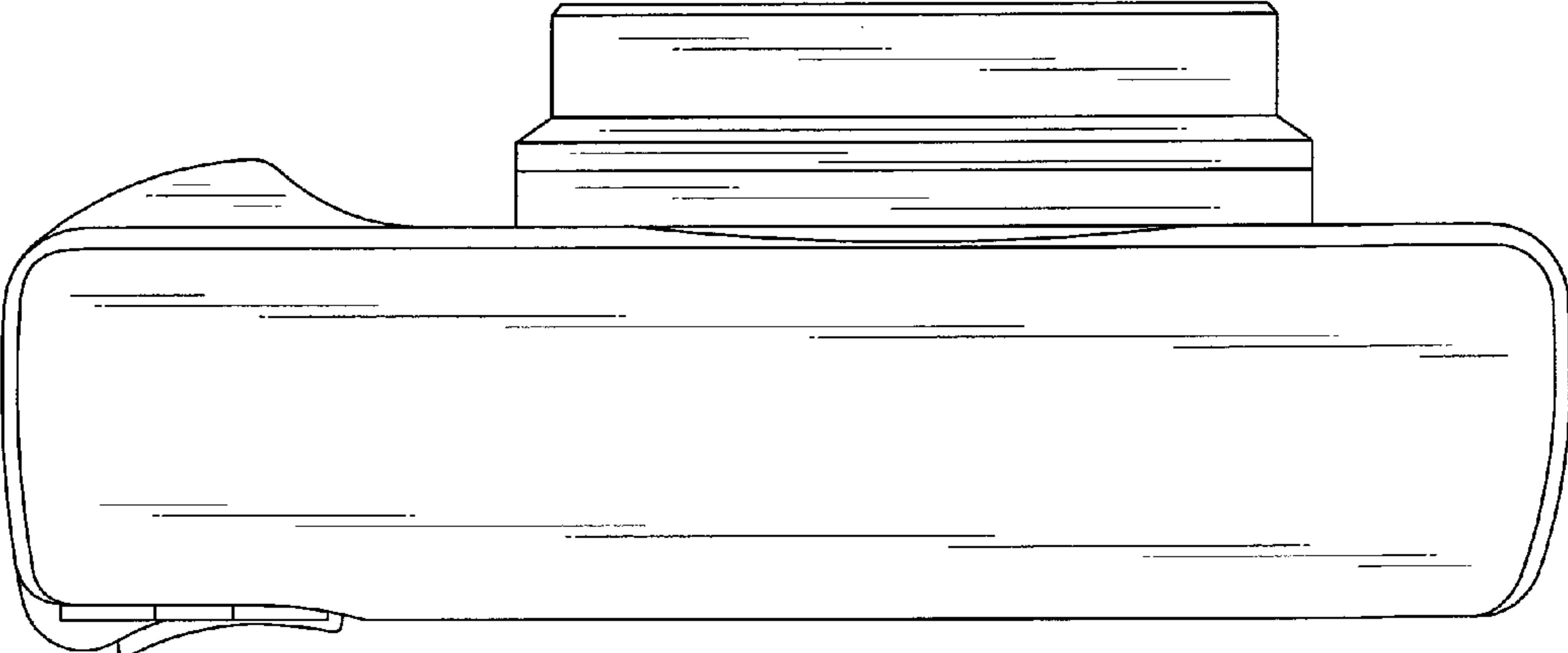


FIG.6

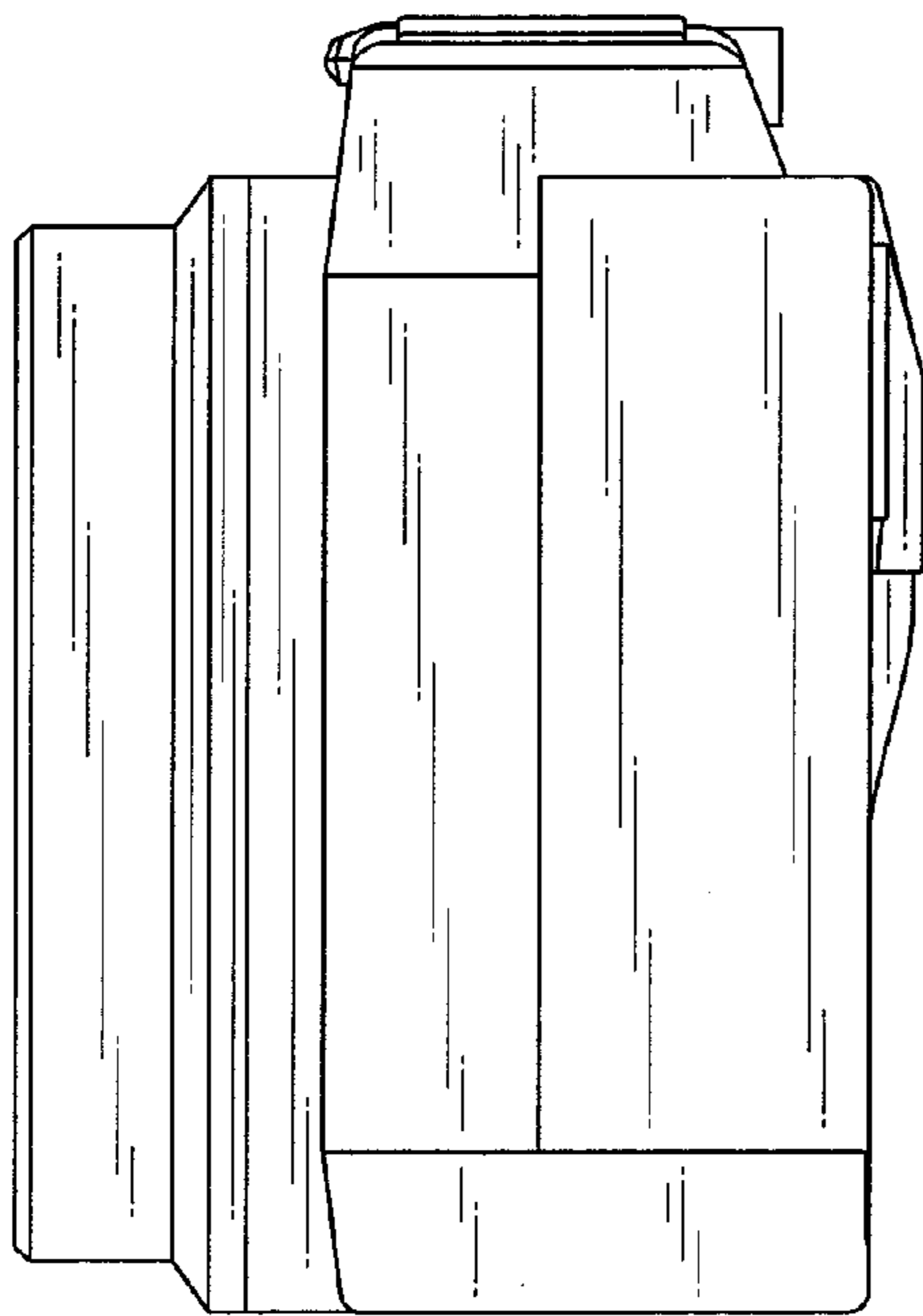


FIG.7

